



US00D784996S

(12) **United States Design Patent**  
**Fafard**

(10) **Patent No.:** **US D784,996 S**  
(45) **Date of Patent:** **\*\* Apr. 25, 2017**

(54) **WATERCRAFT-MOUNTED COMPUTING  
DEVICE HOLDER**

(71) Applicant: **Chaparral Boats, Inc.**, Nashville, GA  
(US)

(72) Inventor: **Michael J. Fafard**, Nashville, GA (US)

(73) Assignee: **Chaparral Boats, Inc.**, Nashville, GA  
(US)

(\*\*) Term: **15 Years**

(21) Appl. No.: **29/552,440**

(22) Filed: **Jan. 22, 2016**

(51) **LOC (10) Cl.** ..... **08-07**

(52) **U.S. Cl.**  
USPC ..... **D14/447**

(58) **Field of Classification Search**  
USPC ..... D14/447, 432, 434, 439, 440, 451, 452,  
D14/457, 239; D8/363, 373, 380;  
D6/406.3, 406.4, 406.5, 406.6; D12/415  
CPC ..... A47B 21/04; A47B 2097/006; A47B  
2097/005; A47B 2023/049; A45C  
2011/002; A45C 2011/003; F16M  
2200/00; F16M 13/00

See application file for complete search history.

(56) **References Cited**

**U.S. PATENT DOCUMENTS**

D431,250 S *	9/2000	Richter	.....	D14/447
D626,129 S *	10/2010	Lutz	.....	D14/447
D692,013 S *	10/2013	Crysell	.....	D14/447
D709,511 S *	7/2014	Sparks	.....	D14/447
D713,828 S *	9/2014	Stifal	.....	D14/239
8,867,198 B2	10/2014	Steele		
8,870,137 B2	10/2014	Jacobson		

D720,358 S *	12/2014	Ginsterblum	.....	D14/447
D732,545 S *	6/2015	Apter	.....	D14/447
D733,155 S *	6/2015	van Hooft	.....	D14/447
D746,292 S *	12/2015	Heckler	.....	D14/447
D751,431 S *	3/2016	Browning	.....	D10/74
D752,596 S *	3/2016	Choi	.....	D14/447
D765,064 S *	8/2016	Wengreen	.....	D14/238.1
D771,052 S *	11/2016	Zheng	.....	D14/434
2013/0256478 A1	10/2013	Reda		

\* cited by examiner

*Primary Examiner* — Angela J Lee

(74) *Attorney, Agent, or Firm* — Fish & Richardson P.C.

(57) **CLAIM**

The ornamental design for a watercraft-mounted computing device holder, substantially as shown and described.

**DESCRIPTION**

FIG. 1 is a perspective view of a watercraft-mounted computing device holder.

FIG. 2 is a front view of the watercraft-mounted computing device holder of FIG. 1.

FIG. 3 is a back view of the watercraft-mounted computing device holder of FIG. 1.

FIG. 4 is a left side view of the watercraft-mounted computing device holder of FIG. 1.

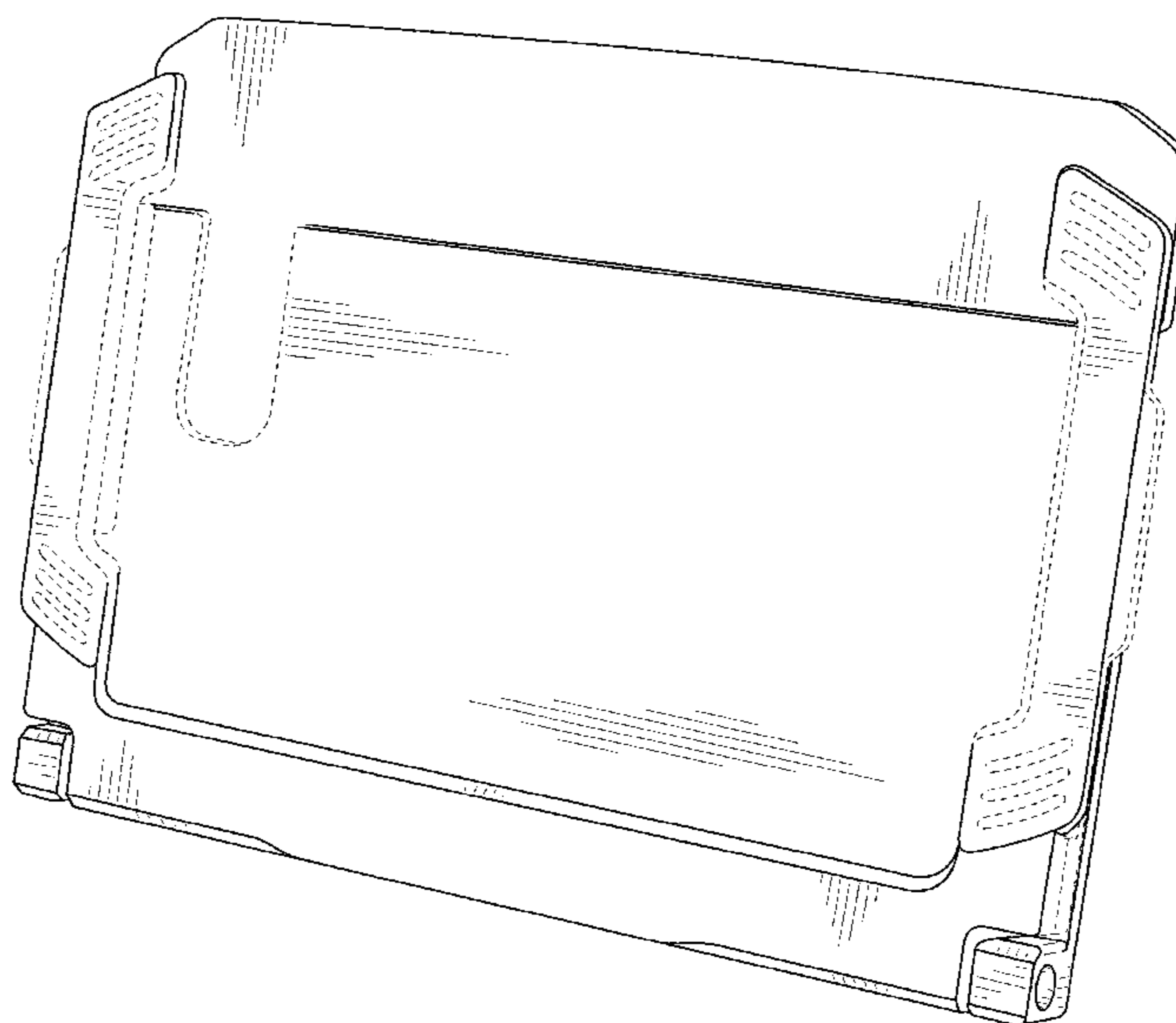
FIG. 5 is a right side view of the watercraft-mounted computing device holder of FIG. 1.

FIG. 6 is a top view of the watercraft-mounted computing device holder of FIG. 1; and,

FIG. 7 is a bottom view of the watercraft-mounted computing device holder of FIG. 1.

The broken lines illustrating portions of the watercraft-mounted computing device holder represent the boundary of the claimed design. The broken lines form no part of the claimed design.

**1 Claim, 5 Drawing Sheets**



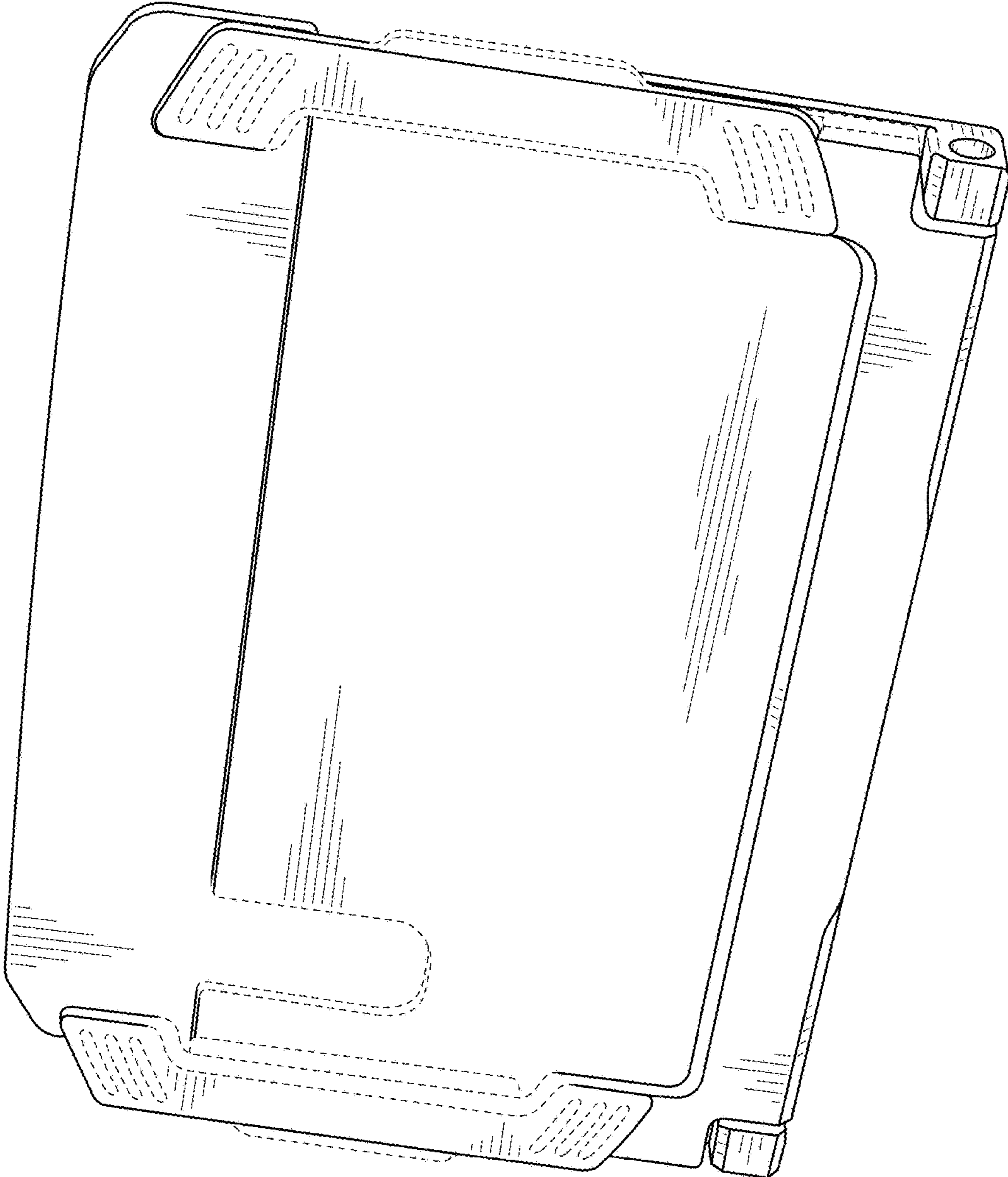


FIG. 1

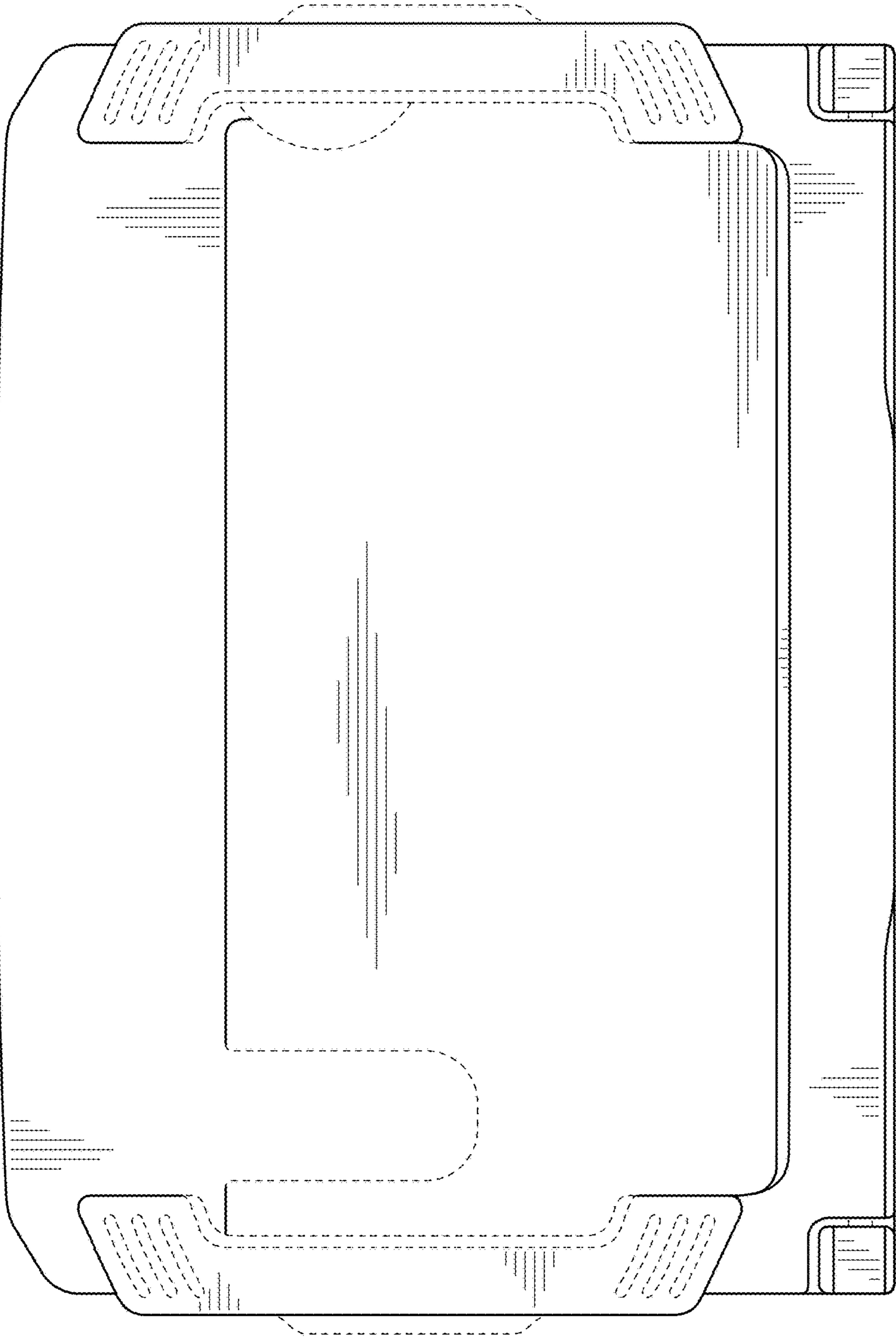


FIG. 2

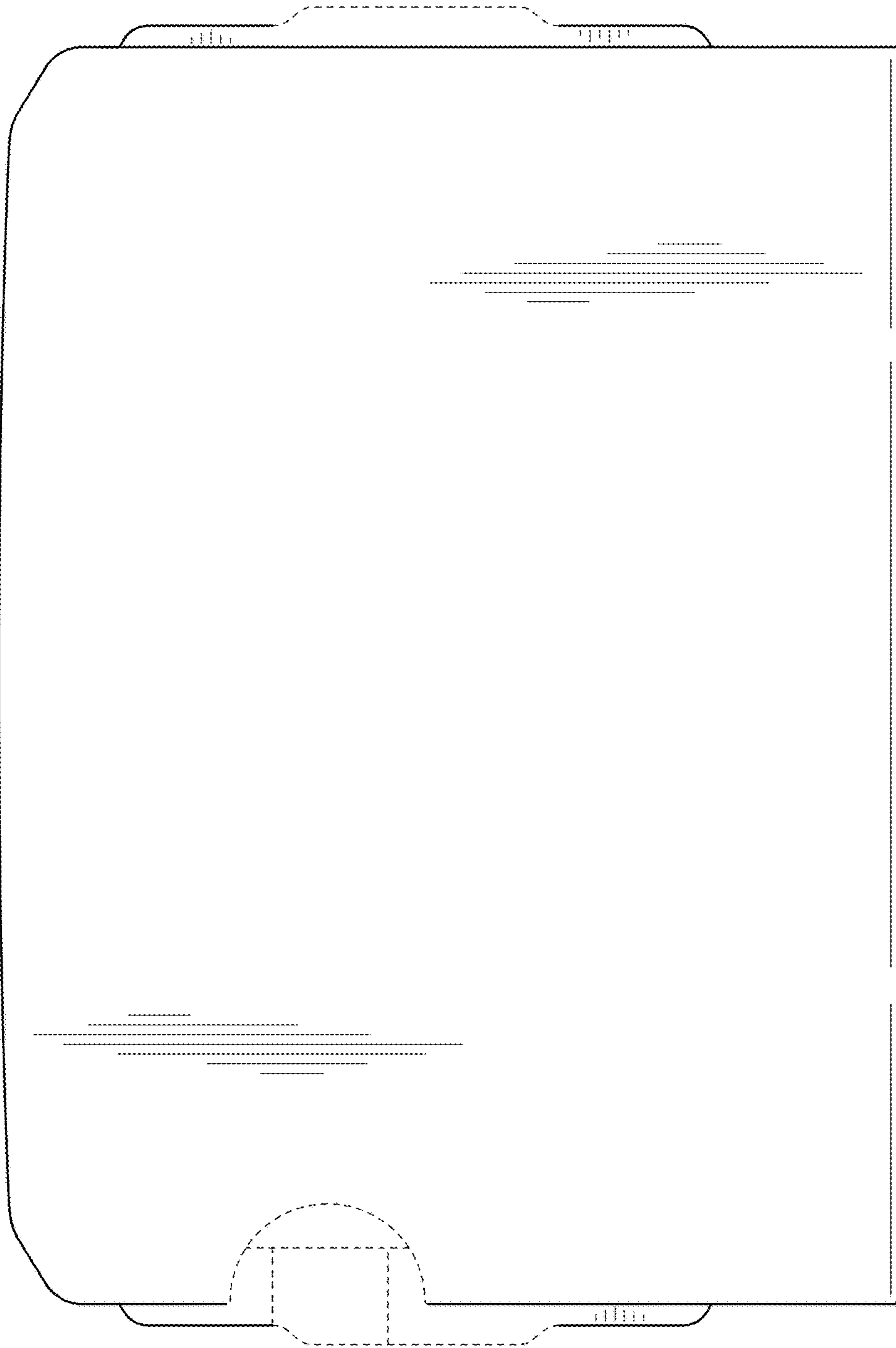


FIG. 3

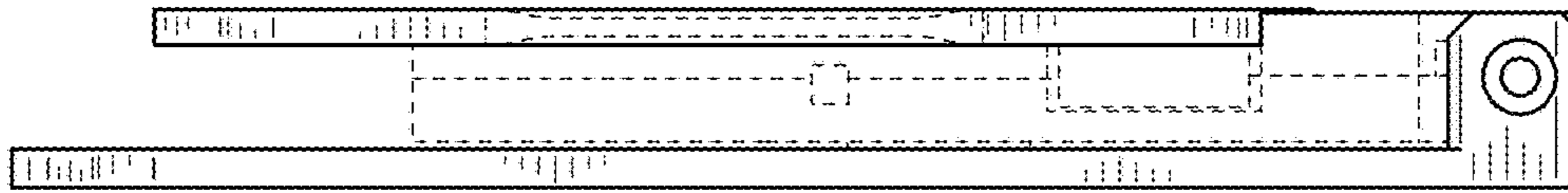


FIG. 5

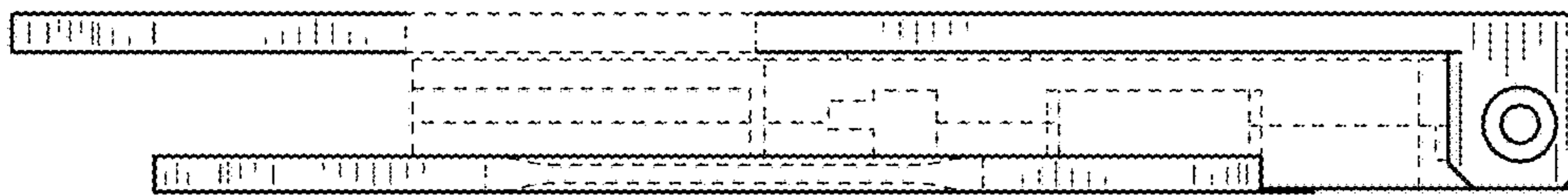


FIG. 4

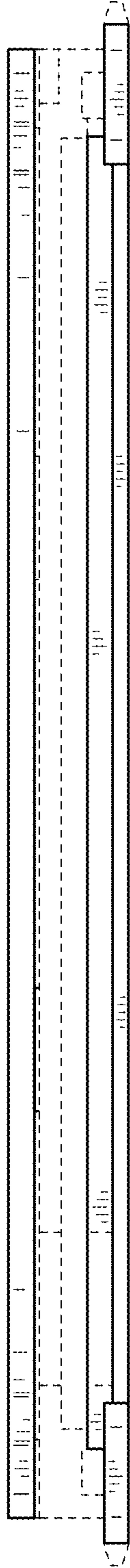


FIG. 6

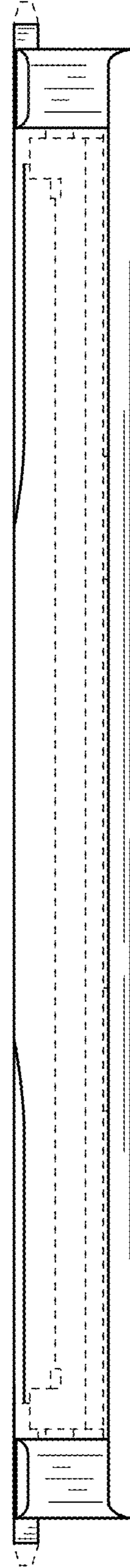


FIG. 7