



US00D784992S

(12) **United States Design Patent**
Shih et al.

(10) **Patent No.:** **US D784,992 S**

(45) **Date of Patent:** **** Apr. 25, 2017**

(54) **STYLUS**
(71) Applicant: **PEGATRON CORPORATION**, Taipei (TW)
(72) Inventors: **Meng-Hsuan Shih**, Taipei (TW); **Hsin-Fang Fan**, Taipei (TW)
(73) Assignee: **PEGATRON CORPORATION**, Taipei (TW)

D679,708 S * 4/2013 Li D14/411
D694,757 S * 12/2013 Wu D14/411
D695,741 S * 12/2013 Wang D14/411
D706,267 S * 6/2014 Nakata D14/411
D709,886 S * 7/2014 Lin D14/411
D711,882 S * 8/2014 Yeo D14/411
D725,113 S * 3/2015 Roskopp D14/411
D725,114 S * 3/2015 Roskopp D14/411
D750,630 S * 3/2016 Nishizawa D14/411
D754,129 S * 4/2016 Kao D14/411
D762,645 S * 8/2016 Cavallaro D14/402
D771,048 S * 11/2016 Martindale D14/411

(**) Term: **15 Years**

* cited by examiner

(21) Appl. No.: **29/567,026**

Primary Examiner — Austin Murphy

(22) Filed: **Jun. 3, 2016**

(74) *Attorney, Agent, or Firm* — J.C. Patents

(30) **Foreign Application Priority Data**

(57) **CLAIM**

May 10, 2016 (TW) 105302541

The ornamental design for a stylus, as shown and described.

(51) **LOC (10) Cl.** **14-02**

DESCRIPTION

(52) **U.S. Cl.**

USPC **D14/411**

(58) **Field of Classification Search**

USPC D14/372, 496, 432, 371, 125, 126, 129, D14/299, 411; D16/300–342; 351/158, 351/153, 144; 345/7–9, 905; 455/344; 348/115, 53, 121, 739

CPC G02B 27/017; G06F 3/016; G06F 3/033; G06F 3/0317; G06F 3/03545; G06F 3/041; G06K 9/222

See application file for complete search history.

FIG. 1 is a perspective view of a stylus showing our new design;

FIG. 2 is a front view thereof;

FIG. 3 is a top view thereof;

FIG. 4 is a bottom view thereof;

FIG. 5 is an exploded view thereof; and,

FIG. 6 is a perspective view thereof, as shown a stylus environment.

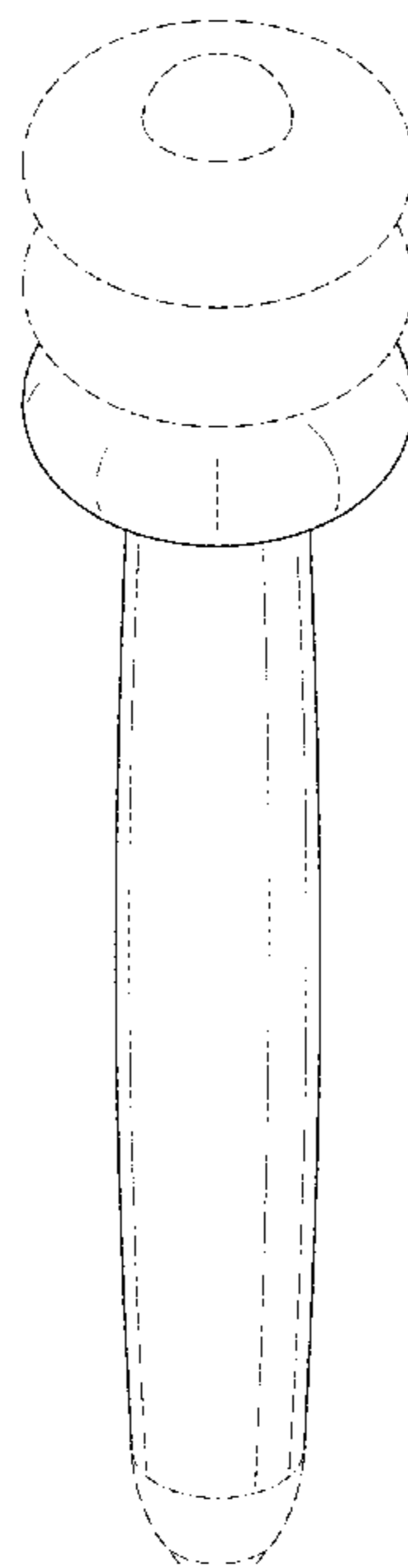
The front view, the rear view, the right side view and the left side view are symmetrically identical. The broken lines in the drawings are included for the purpose of illustration and form no part of the claimed design. The dot-dash lines in the drawings define the boundary of the claim and form no part of the claimed design.

(56) **References Cited**

U.S. PATENT DOCUMENTS

D619,580 S * 7/2010 Nakayama D14/411
D675,621 S * 2/2013 Fletcher D14/411

1 Claim, 5 Drawing Sheets



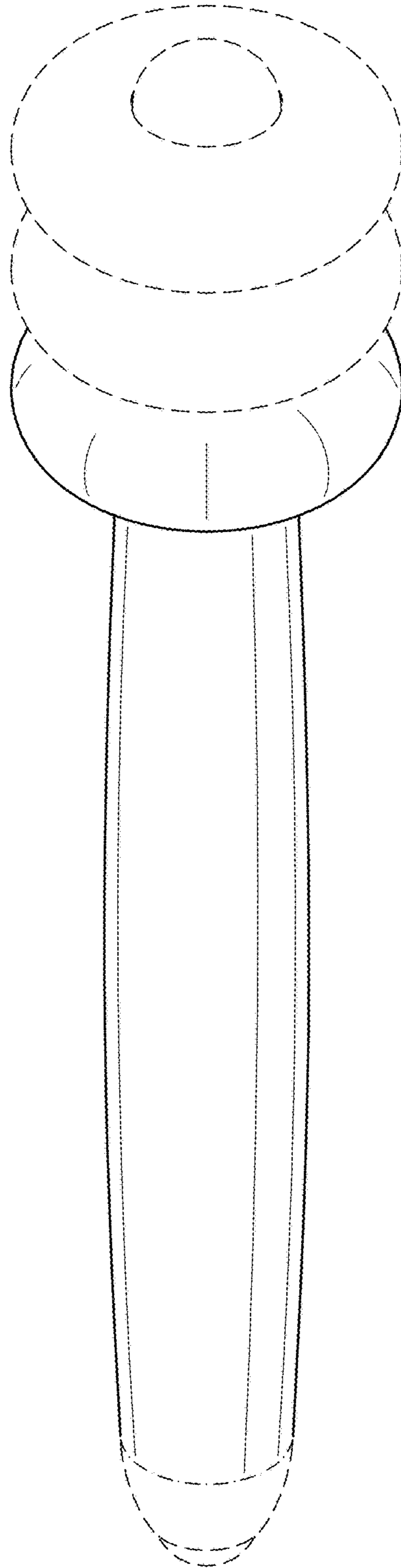


FIG. 1

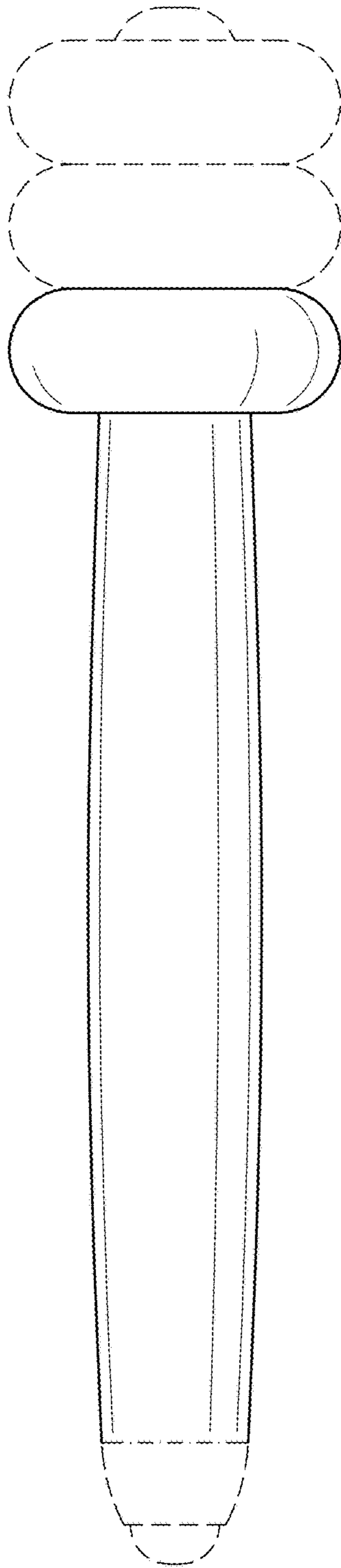


FIG. 2

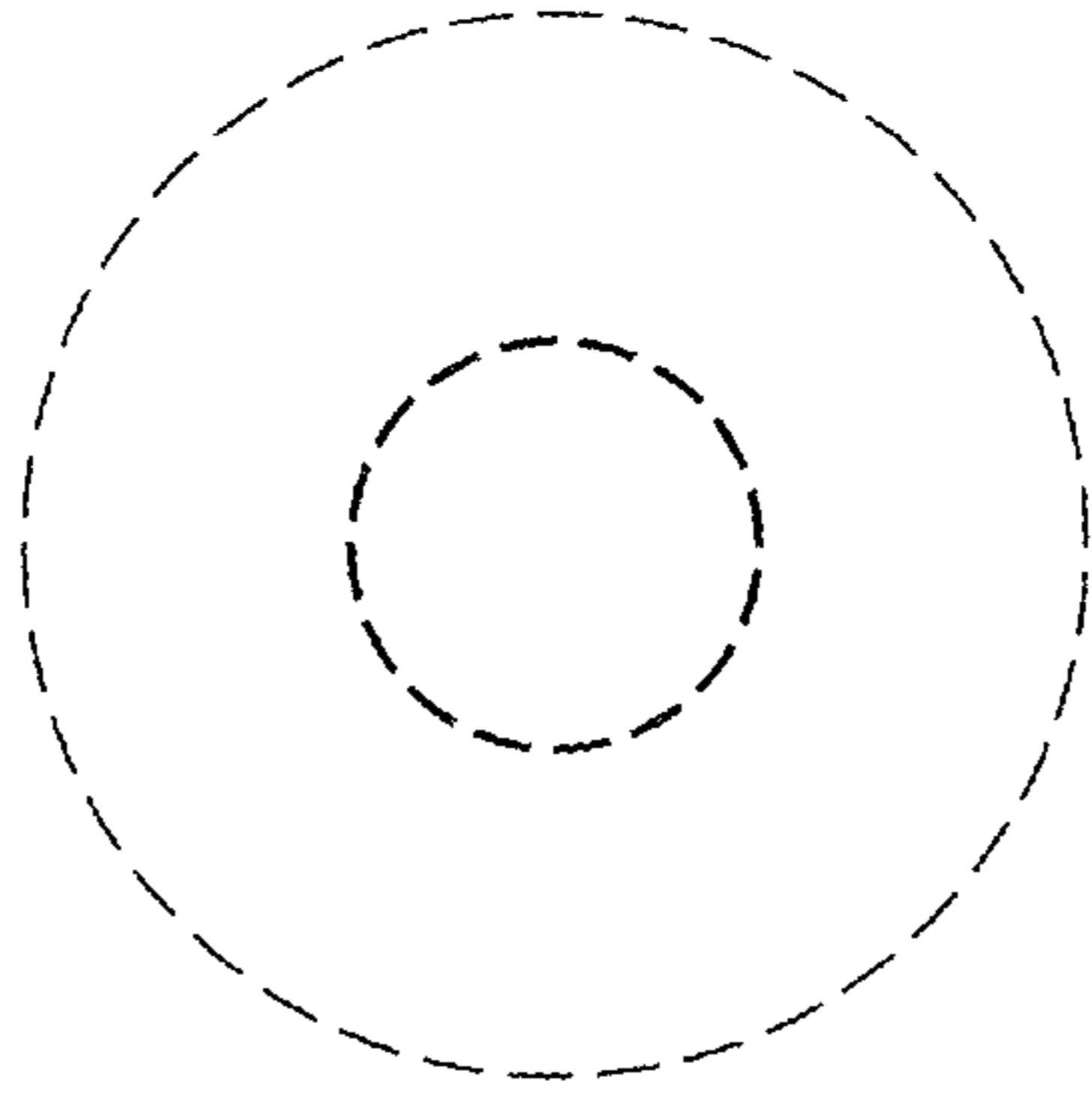


FIG. 3

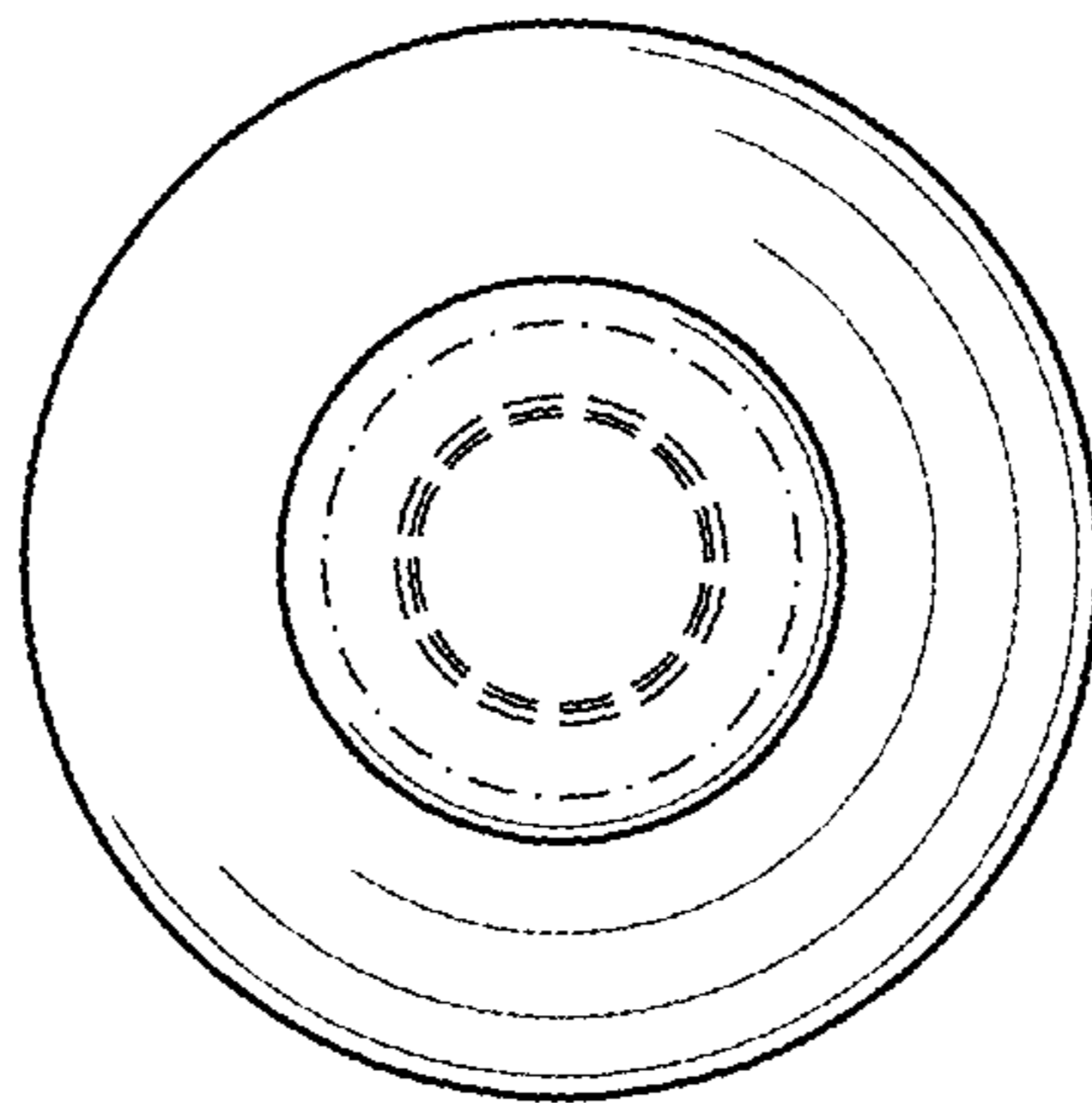


FIG. 4

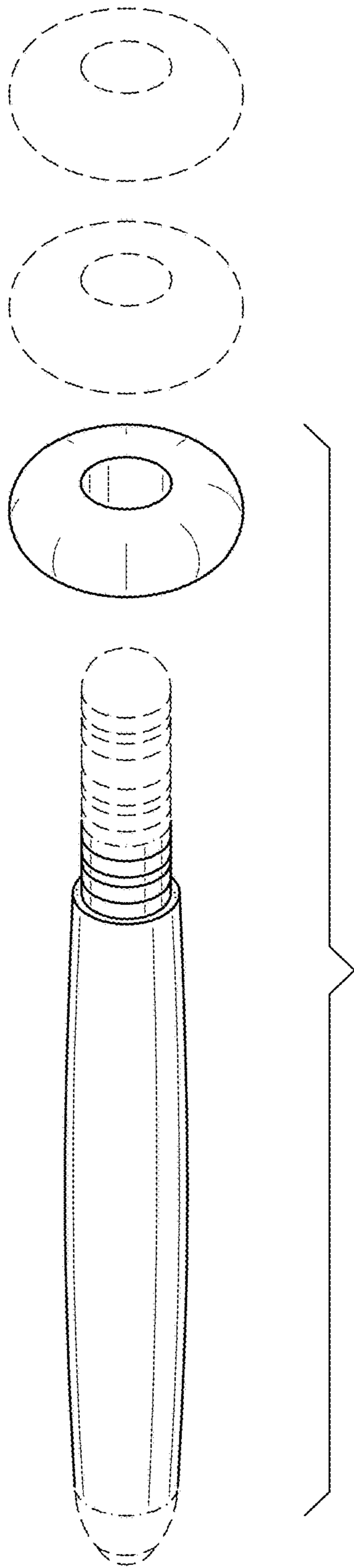


FIG. 5

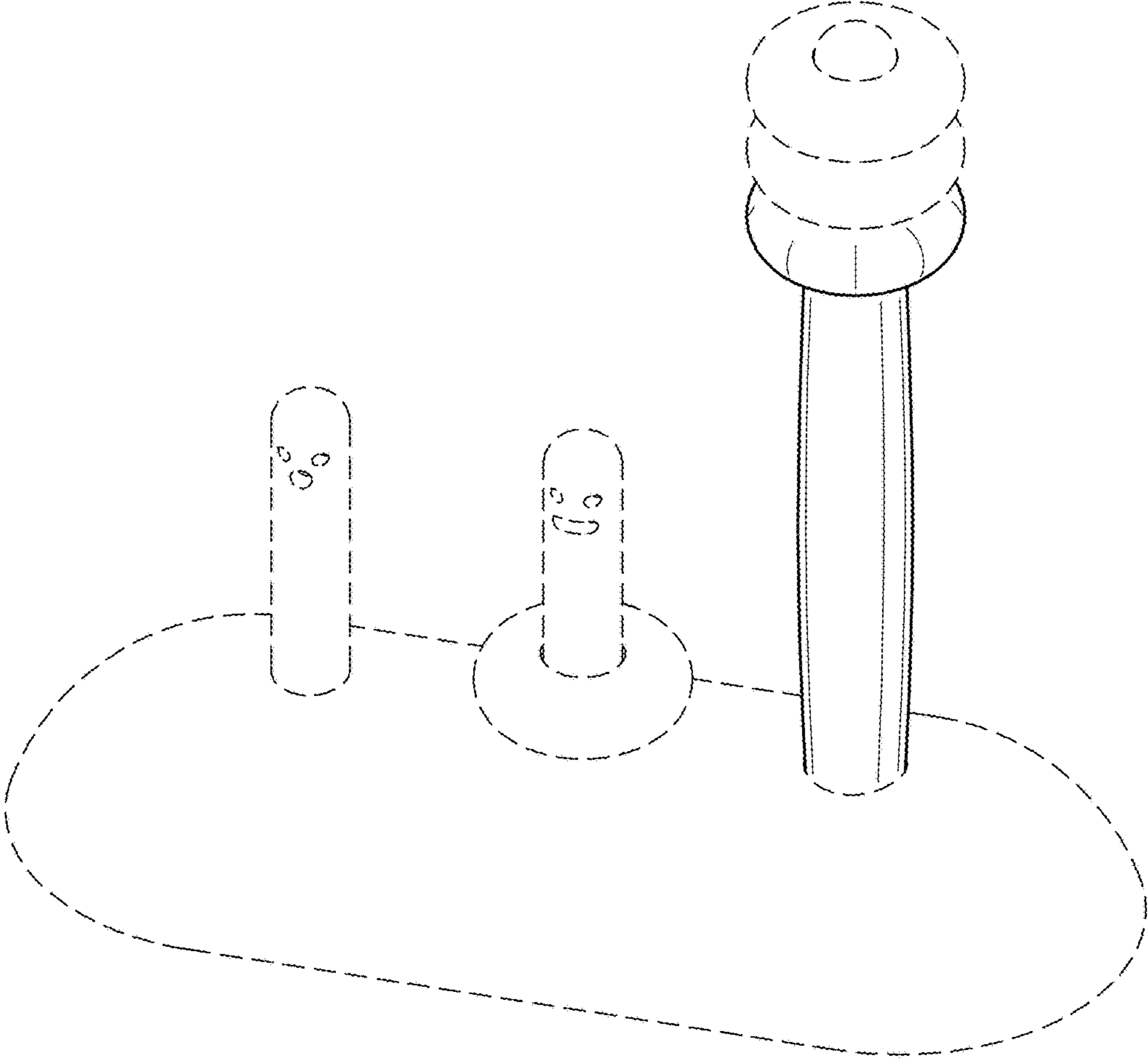


FIG. 6