



US00D784991S

(12) **United States Design Patent** (10) **Patent No.:** **US D784,991 S**  
**Chang et al.** (45) **Date of Patent:** **\*\* Apr. 25, 2017**

(54) **STYLUS**

(71) Applicant: **eGalax\_eMPIA Technology Inc.**,  
Taipei (TW)

(72) Inventors: **Chin-Fu Chang**, Taipei (TW);  
**Shang-Tai Yeh**, Taipei (TW)

(73) Assignee: **EGALAX\_EMPIA TECHNOLOGY**  
**INC.**, Taipei (TW)

(\*\*) Term: **15 Years**

(21) Appl. No.: **29/553,271**

(22) Filed: **Jan. 29, 2016**

(30) **Foreign Application Priority Data**

Nov. 12, 2015 (TW) ..... 104306308

(51) **LOC (10) Cl.** ..... **14-02**

(52) **U.S. Cl.**  
USPC ..... **D14/411**

(58) **Field of Classification Search**  
USPC ..... D14/372, 496, 432, 371, 125, 126, 129,  
D14/299, 411; D16/300-342; 351/158,  
351/153, 144; 345/7-9, 905; 455/344;  
348/115, 53, 121, 739  
CPC ..... G02B 27/017; G06F 3/016; G06F 3/033;  
G06F 3/0317; G06F 3/03545; G06F  
3/041; G06K 9/222

See application file for complete search history.

(56) **References Cited**

U.S. PATENT DOCUMENTS

D655,292 S *	3/2012	Nakata	.....	D14/411
D669,896 S *	10/2012	Nakata	.....	D14/411
D669,897 S *	10/2012	Nakata	.....	D14/411
D670,289 S *	11/2012	Bae	.....	D14/411
D684,578 S *	6/2013	Son	.....	D14/411
D694,326 S *	11/2013	Cambianica	.....	D19/173
D708,617 S *	7/2014	Nakata	.....	D14/411
D717,301 S *	11/2014	Groene	.....	D14/411
D717,798 S *	11/2014	Groene	.....	D14/411
D736,317 S *	8/2015	Miller	.....	D19/173
D754,661 S *	4/2016	Nishizawa	.....	D14/411
D757,852 S *	5/2016	Bonacina	.....	D19/197
D768,133 S *	10/2016	Reed	.....	D14/411

\* cited by examiner

*Primary Examiner* — Austin Murphy

(74) *Attorney, Agent, or Firm* — Muncy, Geissler, Olds & Lowe, P.C.

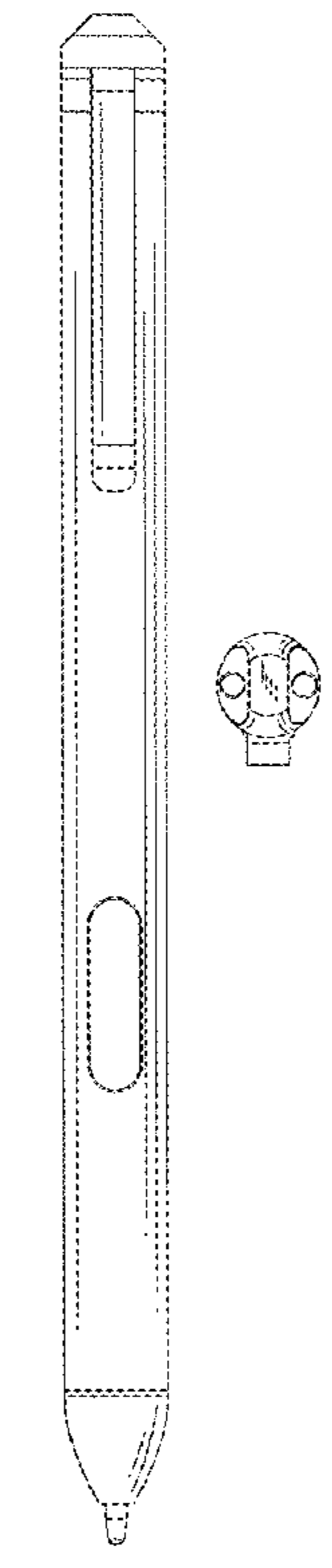
(57) **CLAIM**

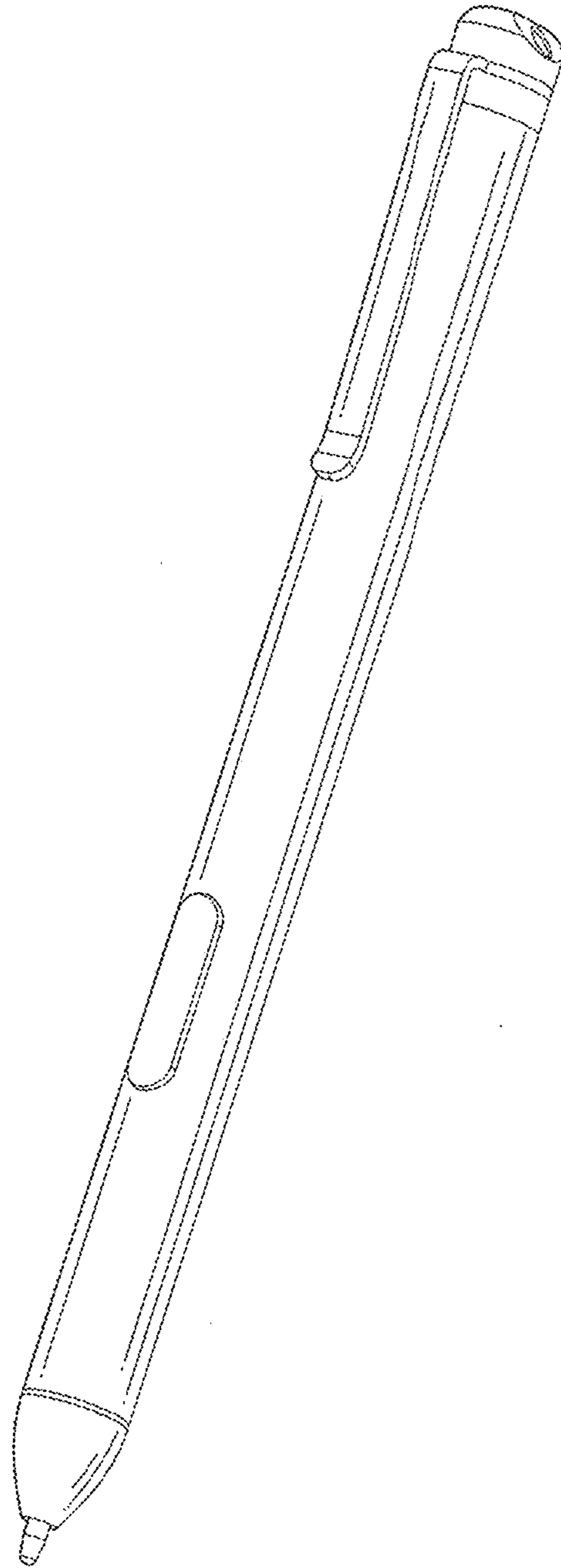
The ornamental design for a stylus, as shown and described.

**DESCRIPTION**

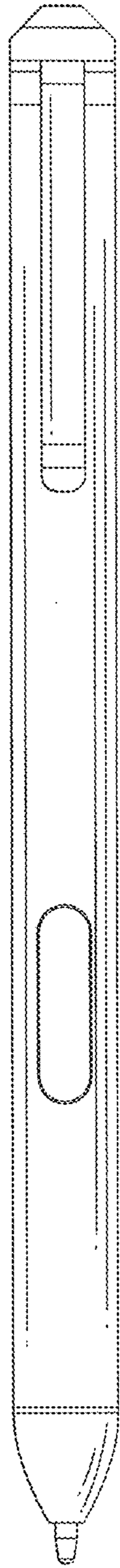
FIG. 1 is a perspective view of a stylus showing my design;  
FIG. 2 is a front view thereof;  
FIG. 3 is a rear view thereof;  
FIG. 4 is a left side view thereof;  
FIG. 5 is a right side view thereof;  
FIG. 6 is a top view thereof; and,  
FIG. 7 is a bottom view thereof.

**1 Claim, 7 Drawing Sheets**

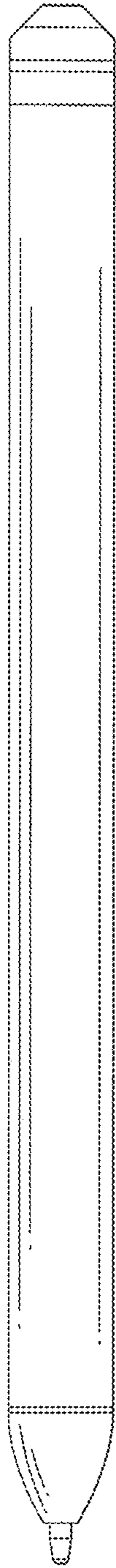




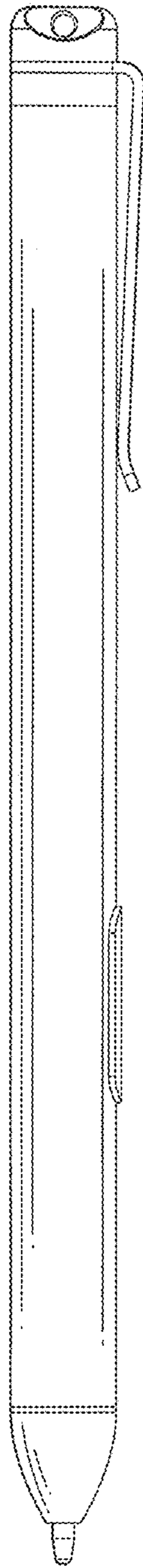
*FIG. 1*



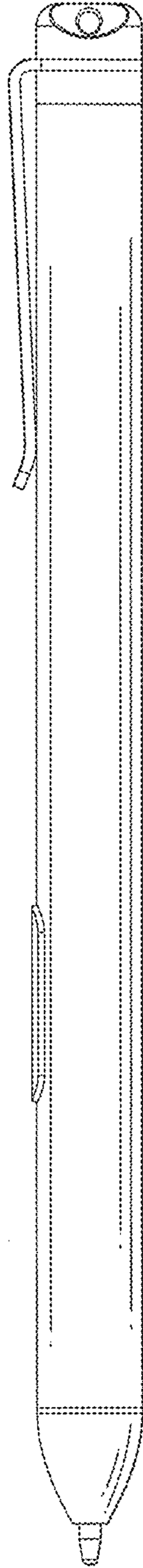
*FIG. 2*



*FIG. 3*



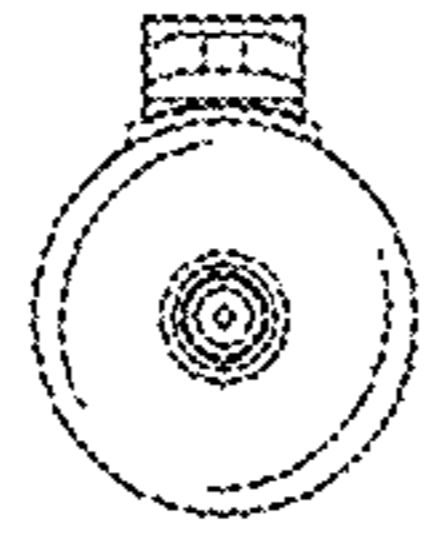
*FIG. 4*



*FIG. 5*



*FIG. 6*



*FIG. 7*