



US00D784990S

(12) **United States Design Patent**
Huang

(10) **Patent No.:** **US D784,990 S**

(45) **Date of Patent:** **** Apr. 25, 2017**

(54) **CONTROLLER FOR INTERFACING WITH A COMPUTER PROGRAM**

(71) Applicant: **Sony Computer Entertainment Inc.**,
Tokyo (JP)

(72) Inventor: **Ennin Huang**, Santa Clara, CA (US)

(73) Assignee: **Sony Interactive Entertainment Inc.**,
Tokyo (JP)

(**) Term: **15 Years**

(21) Appl. No.: **29/552,576**

(22) Filed: **Jan. 22, 2016**

(51) **LOC (10) Cl.** **14-03**

(52) **U.S. Cl.**
USPC **D14/401**; D14/400; D21/333

(58) **Field of Classification Search**
USPC D14/399-401, 412-418; 273/148 B;
463/1, 29-39, 46, 47; 345/156-161, 905;
D21/333, 328
CPC .. A63F 13/02; A63F 9/24; A63F 13/12; A63F
9/00; A63F 11/00; A63F 71/00; G06F
3/02; G06F 3/033; G09G 5/00
See application file for complete search history.

(56) **References Cited**

U.S. PATENT DOCUMENTS

- 5,332,322 A * 7/1994 Gambaro B41J 5/10
379/433.07
- 5,523,800 A * 6/1996 Dudek H04N 5/44
340/12.28
- 5,724,106 A * 3/1998 Autry G06F 3/0213
341/176
- D537,822 S * 3/2007 Herkelman D14/400
- D563,409 S * 3/2008 Liu D14/400

- D575,284 S * 8/2008 Ashida D14/400
- D576,624 S * 9/2008 Ashida D14/400
- D577,025 S * 9/2008 Ashida D14/400
- 8,400,259 B2 * 3/2013 Noto G11B 19/025
340/13.24
- 8,430,753 B2 * 4/2013 Ikeda A63F 13/06
463/36
- D709,881 S * 7/2014 Chung D14/400
- D728,029 S * 4/2015 Ray D14/400
- 9,081,426 B2 * 7/2015 Armstrong G06F 3/0213

* cited by examiner

Primary Examiner — Prabhakar Deshmukh

(74) *Attorney, Agent, or Firm* — Martine Penilla Group,
LLP

(57) **CLAIM**

The ornamental design for a controller for interfacing with a computer program, as shown and described.

DESCRIPTION

FIG. 1 is a front perspective view of a controller for interfacing with a computer program showing my new design;

FIG. 2 is a front elevational view thereof;

FIG. 3 is a rear elevational view thereof;

FIG. 4 is a left side elevational view thereof;

FIG. 5 is a right side elevational view thereof;

FIG. 6 is top plan view thereof;

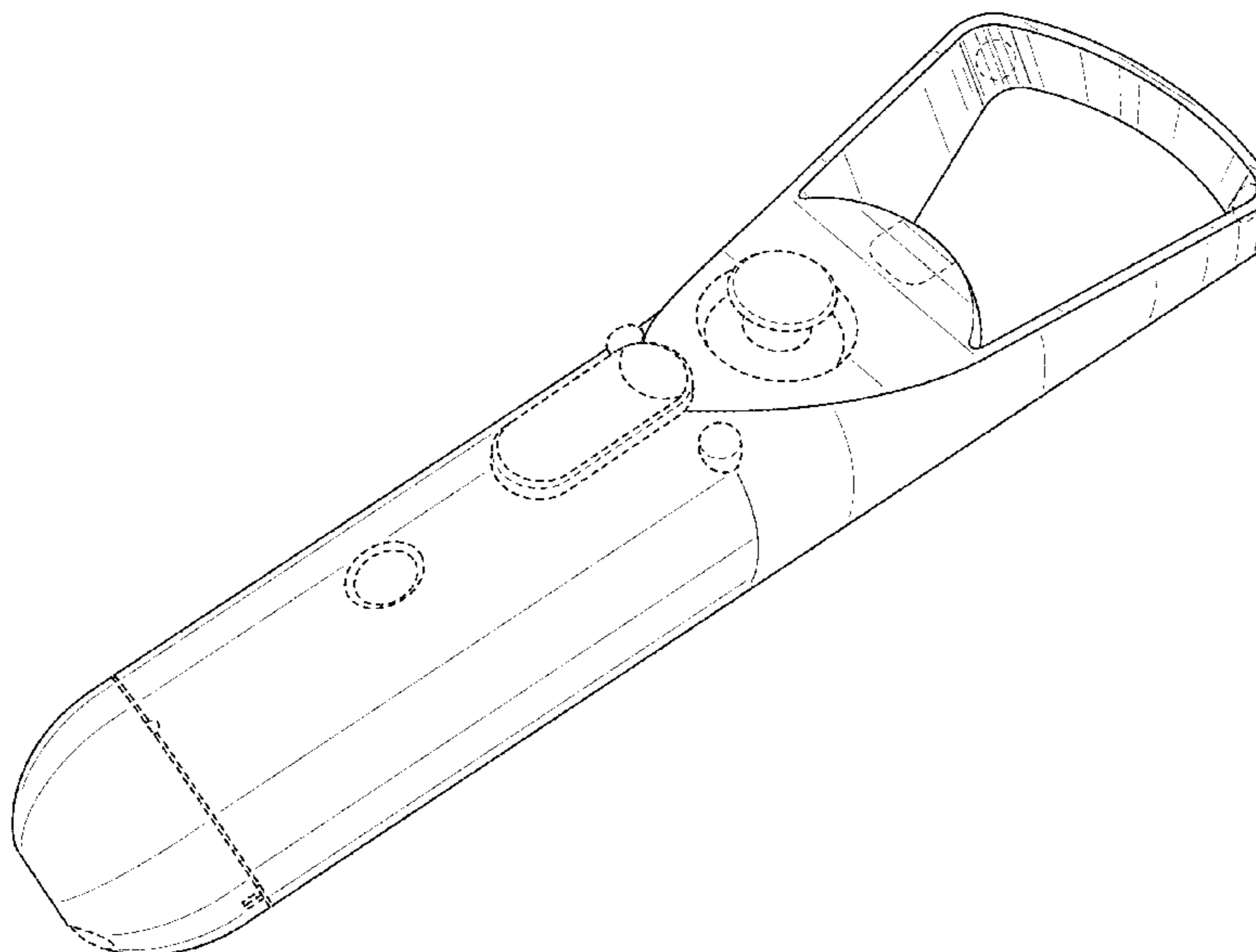
FIG. 7 is a bottom plan view thereof;

FIG. 8 is another perspective view thereof; and,

FIG. 9 is perspective view thereof, shown in environmental use.

The broken lines illustrate unclaimed portions of the design. The broken lines in FIG. 9 illustrate environment. None of the broken lines form no part of the claimed design.

1 Claim, 6 Drawing Sheets



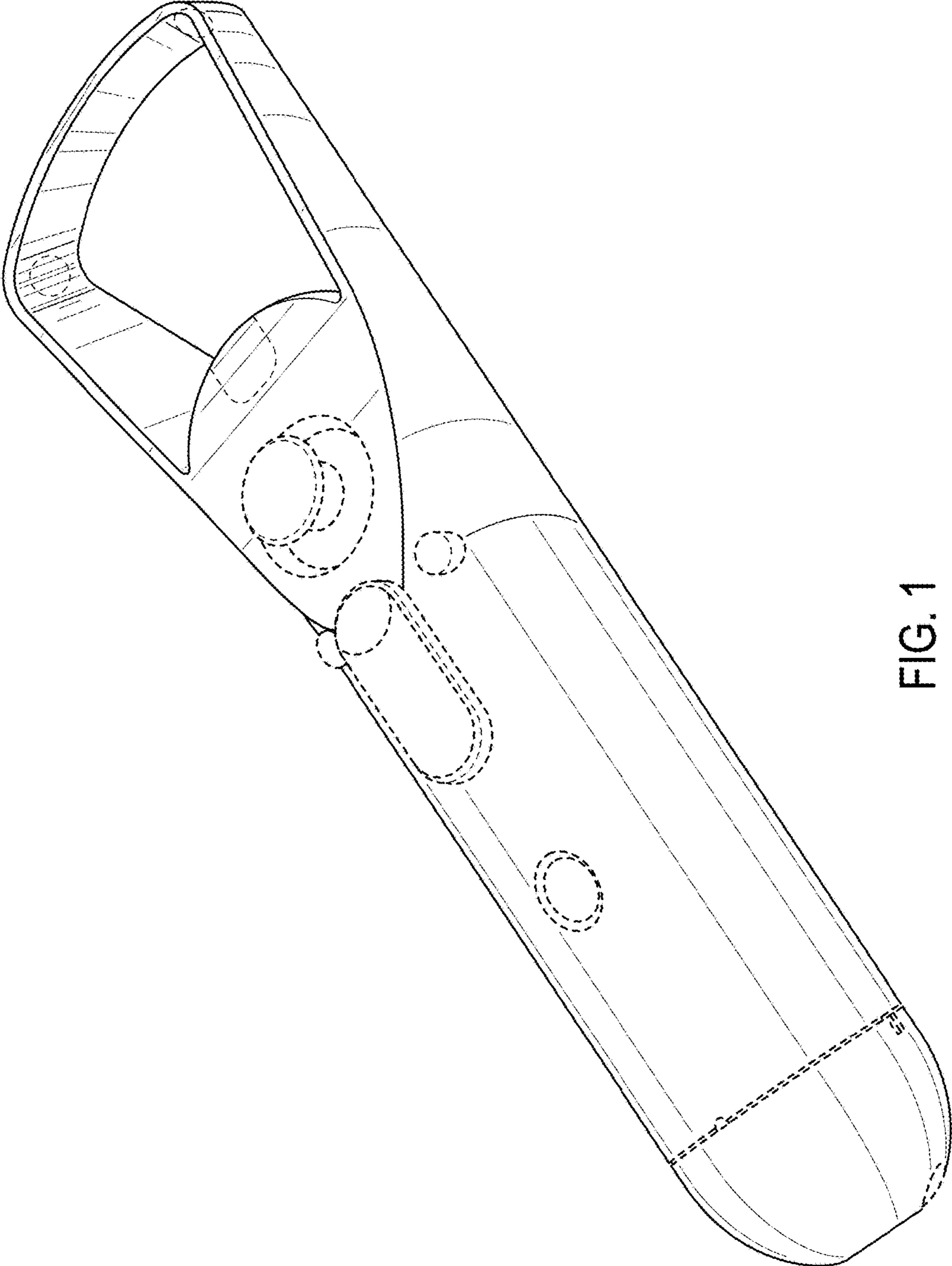


FIG. 1

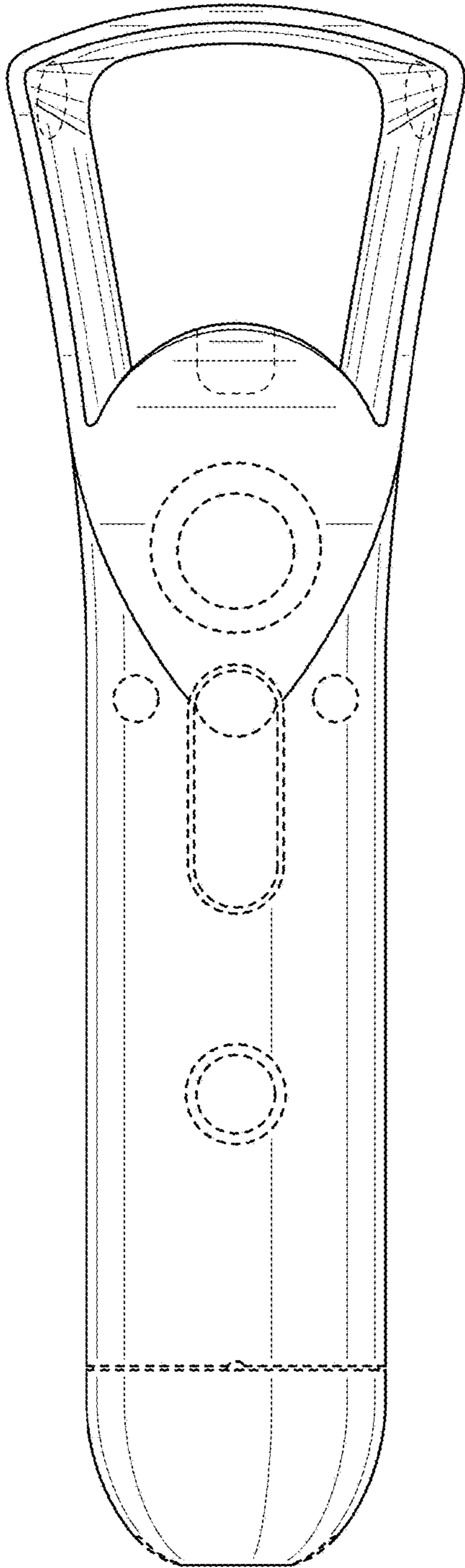


FIG. 2

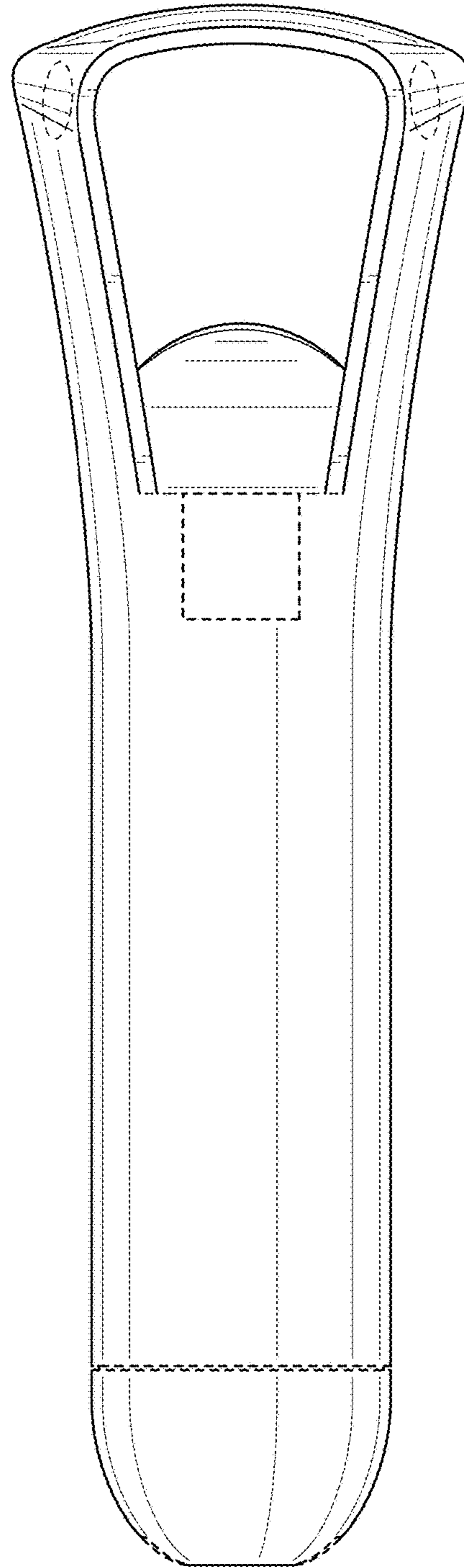


FIG. 3

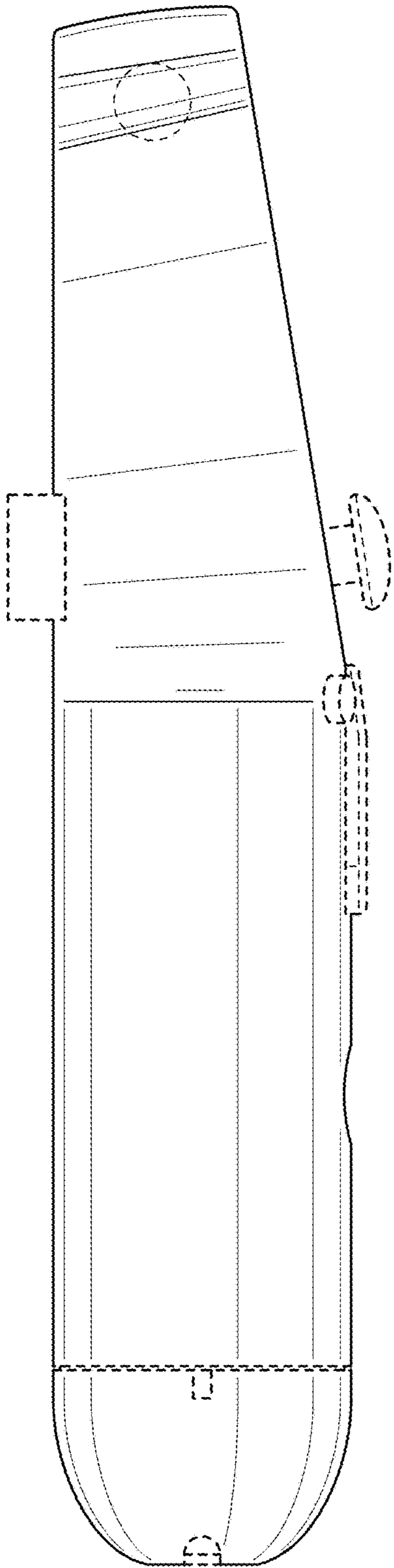


FIG. 4

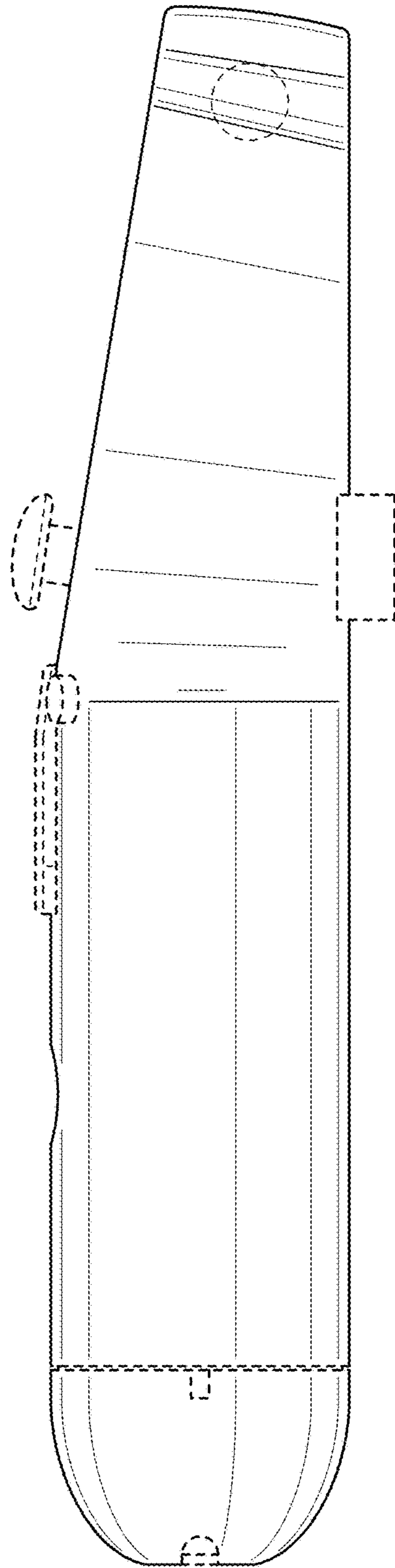


FIG. 5

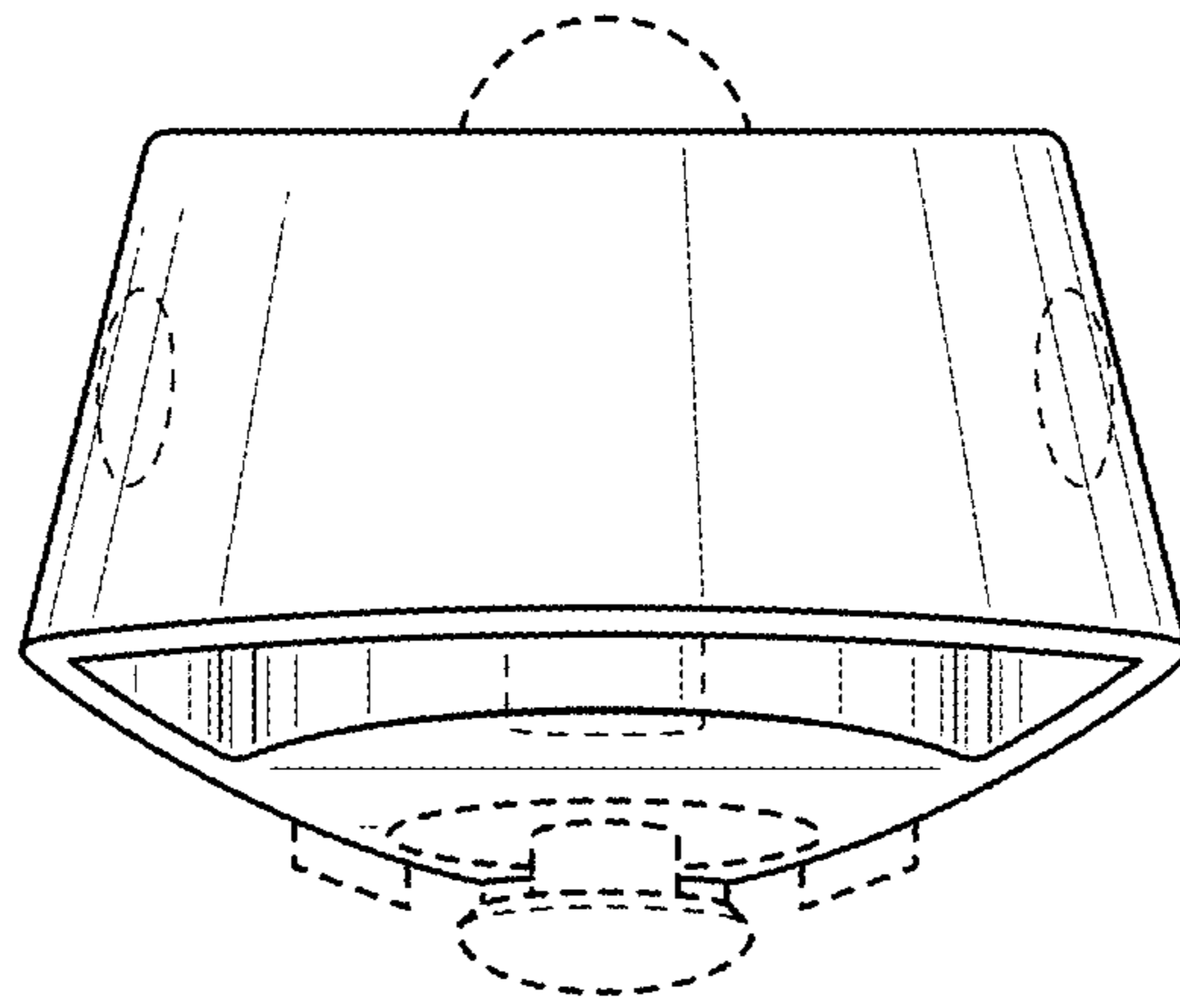


FIG. 6

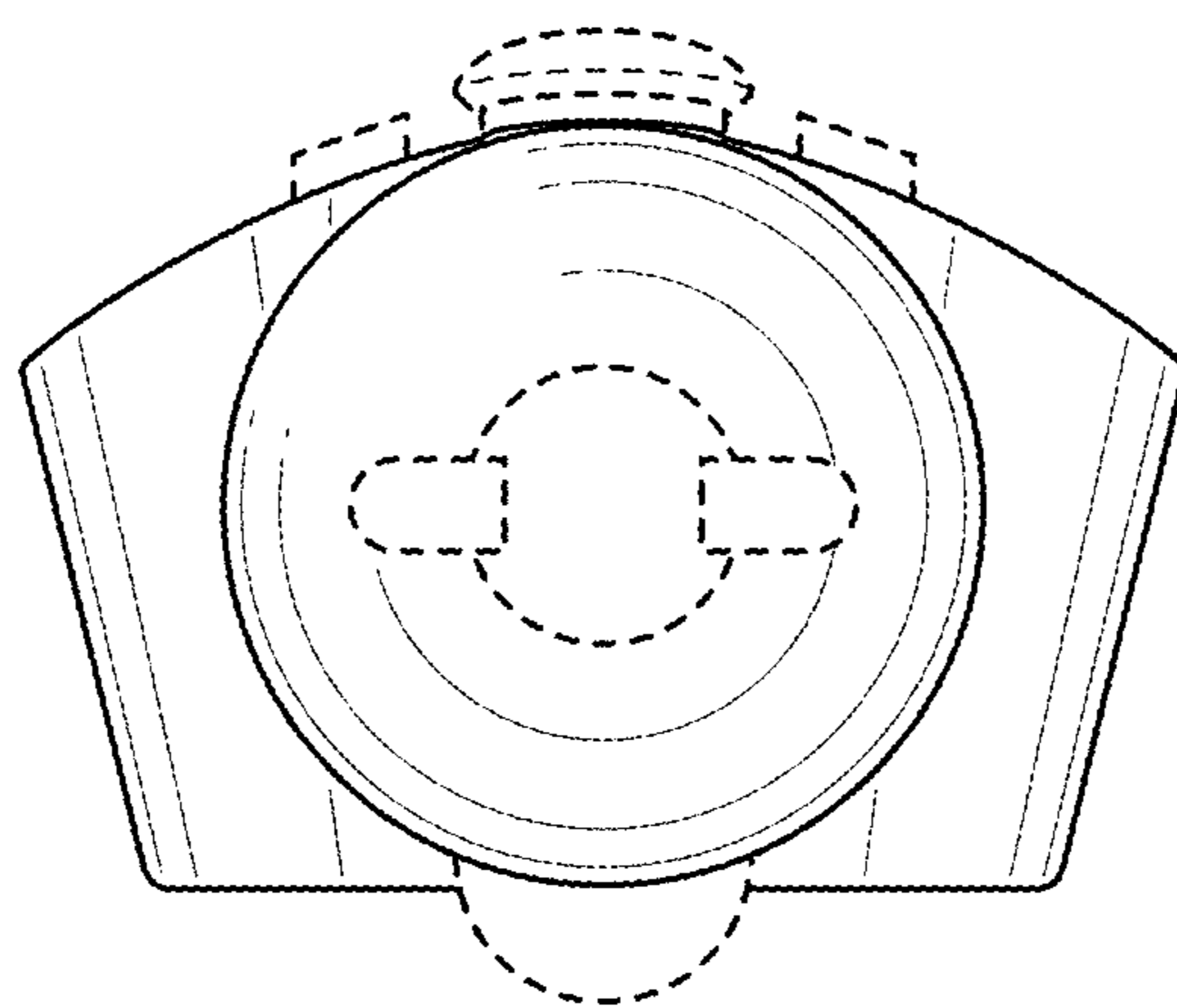


FIG. 7

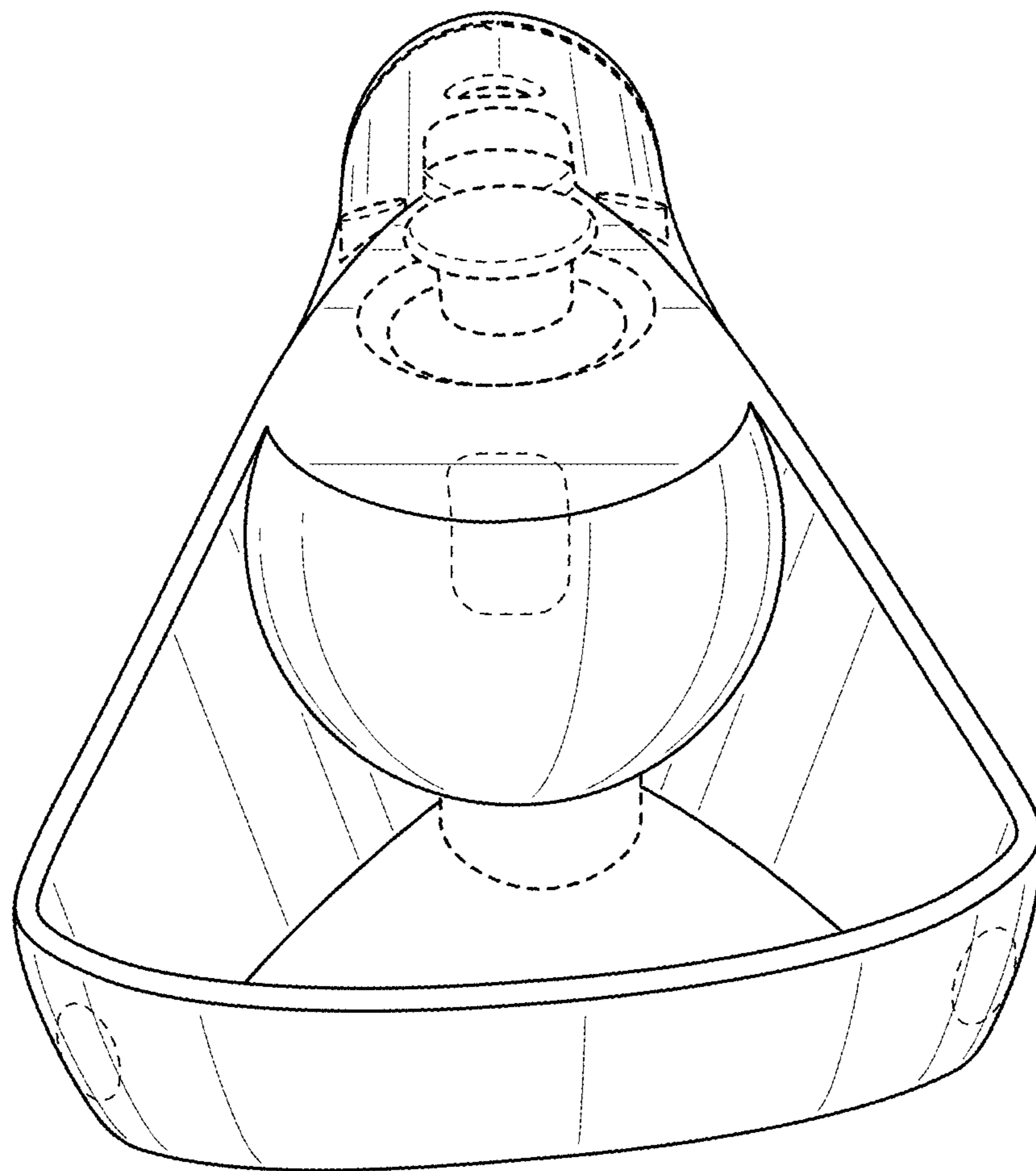


FIG. 8

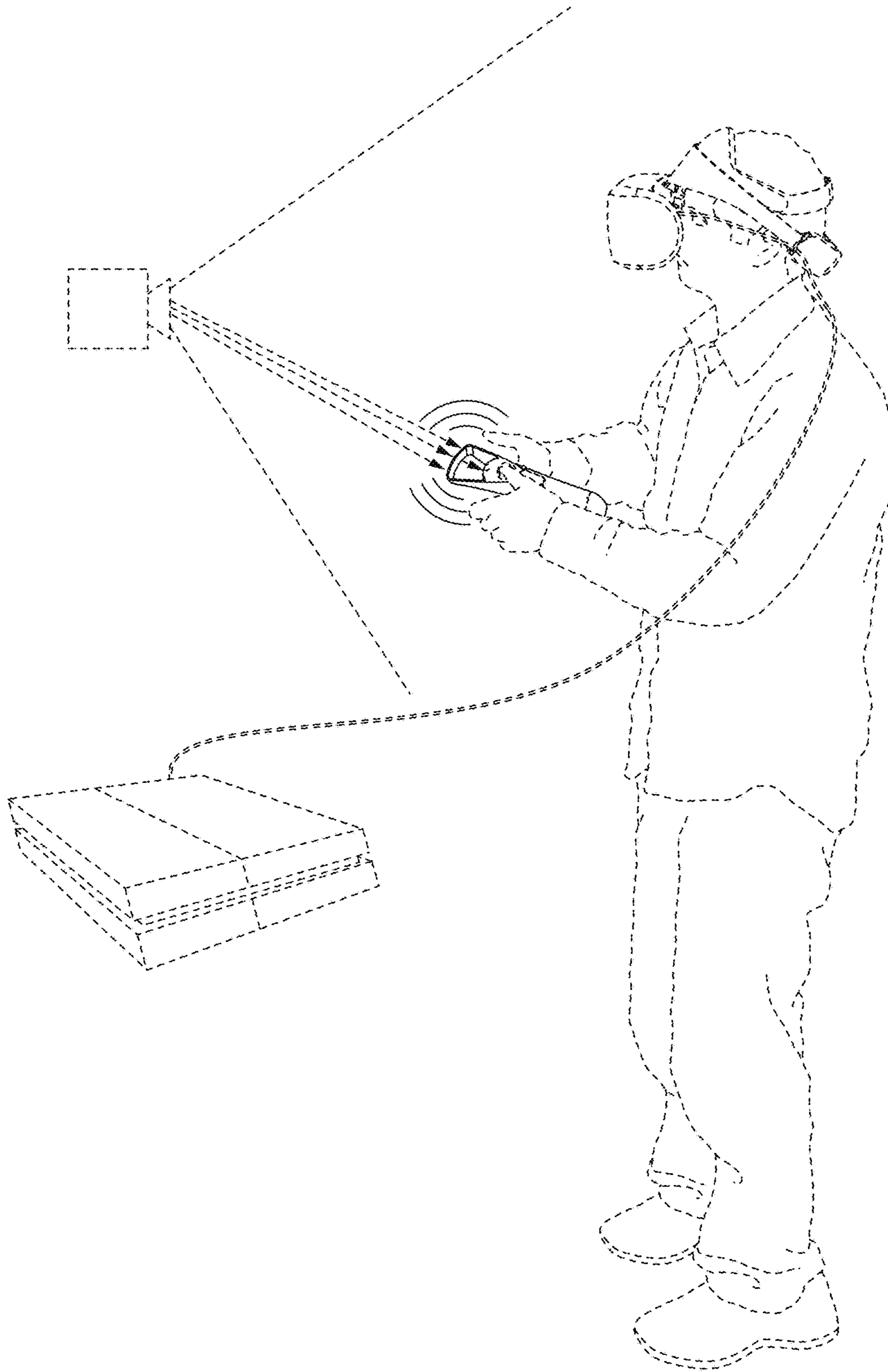


FIG. 9