

US00D784988S

(12) **United States Design Patent**
Kujawski et al.

(10) **Patent No.:** **US D784,988 S**

(45) **Date of Patent:** **** Apr. 25, 2017**

- (54) **CONTROLLER WITH REMOVEABLE THUMBSTICK ATTACHMENT**
- (71) Applicant: **Microsoft Corporation**, Redmond, WA (US)
- (72) Inventors: **Christopher Kujawski**, Seattle, WA (US); **Kenneth Jasinski**, Bellevue, WA (US)
- (73) Assignee: **Microsoft Corporation**, Redmond, WA (US)

D430,222 S * 8/2000 Goto D14/432
 6,120,374 A * 9/2000 Akada A63F 13/005
 463/3

D435,551 S 12/2000 Hayes
 6,231,444 B1 5/2001 Goto et al.
 D449,042 S 10/2001 Chung
 D453,932 S 2/2002 Han et al.
 6,463,159 B1 10/2002 Ming-Cheng
 D467,922 S 12/2002 Lee
 D469,436 S * 1/2003 Hussaini D14/401
 D476,376 S 6/2003 Wintersteiger
 6,572,108 B1 6/2003 Bristow
 6,743,100 B1 * 6/2004 Neiser A63F 13/06
 273/148 B

(**) Term: **15 Years**

(21) Appl. No.: **29/543,914**

(22) Filed: **Oct. 29, 2015**

(51) **LOC (10) Cl.** **14-03**

(52) **U.S. Cl.**
USPC **D14/401**

(58) **Field of Classification Search**
 USPC D13/103, 108, 158; D14/203.1-203.2,
 D14/356, 400, 401, 412-417, 454-456,
 D14/507; D21/324, 329, 333, 566
 CPC A63F 13/00; A63F 13/02; A63F 13/06;
 A63F 9/00; A63F 17/00; A63F 19/00;
 A63F 9/24; A63F 71/00; A63F 13/005;
 A63F 13/24; G09G 5/00; G09G 5/08;
 G11B 19/02; G06F 19/00; G08C 23/04;
 H04B 7/00

See application file for complete search history.

(56) **References Cited**

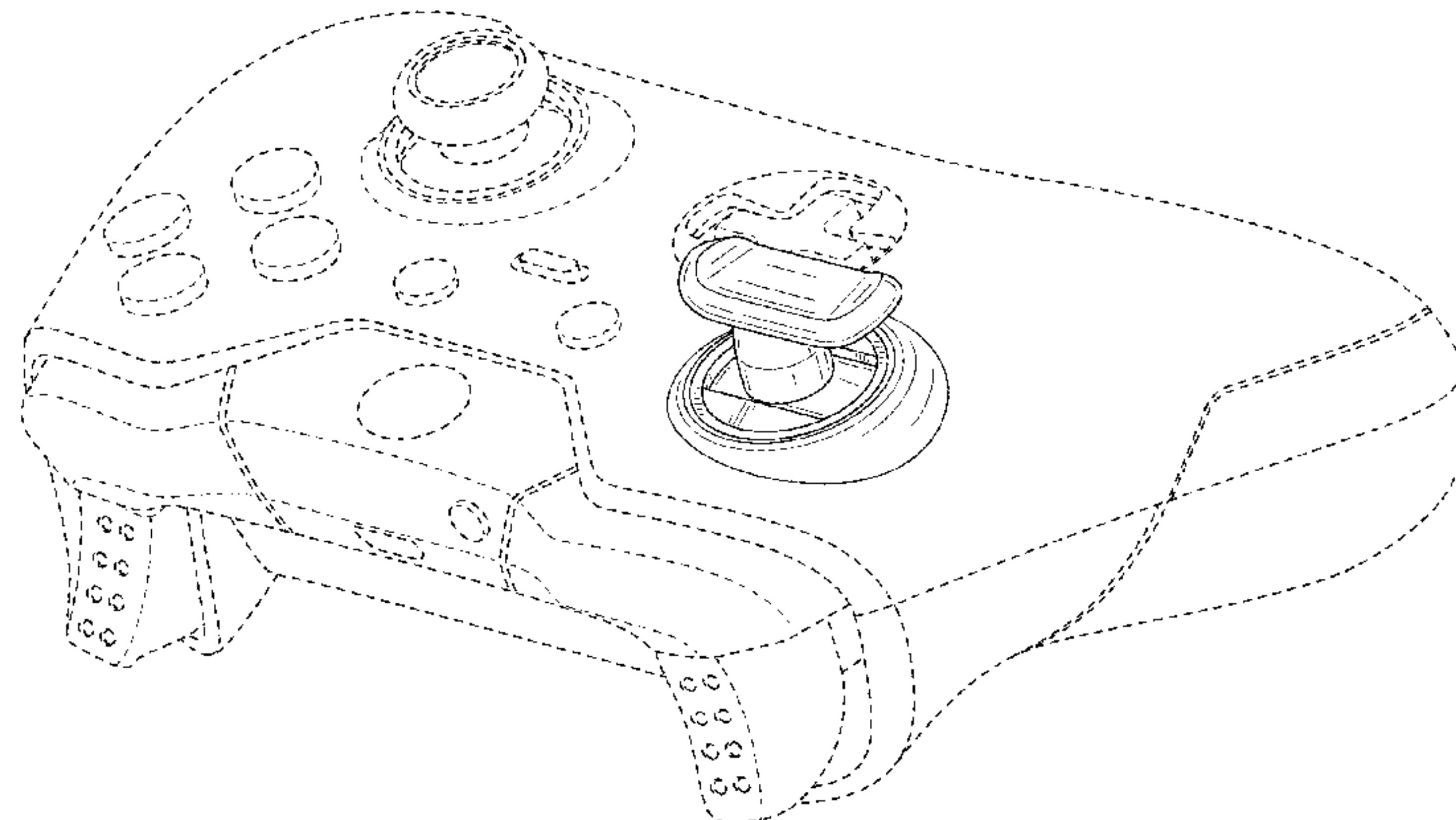
U.S. PATENT DOCUMENTS

D368,936 S 4/1996 Goto
 5,551,693 A * 9/1996 Goto A63F 13/06
 345/169

D398,214 S 9/1998 Yui
 5,923,317 A * 7/1999 Saylor A63F 13/06
 345/156

D415,485 S * 10/1999 Leifer D14/401
 D415,752 S 10/1999 Tyler et al.
 D424,047 S 5/2000 Chan

6,956,559 B2 10/2005 Hagiwara et al.
 6,968,070 B1 11/2005 Chiang
 D521,015 S 5/2006 Hayes et al.
 D522,011 S 5/2006 Hayes et al.
 D522,012 S 5/2006 Hayes et al.
 7,063,321 B2 6/2006 Hussaini et al.
 7,105,754 B2 9/2006 Turner
 D533,011 S 12/2006 Pai
 7,195,561 B2 3/2007 Hussaini et al.
 D545,317 S 6/2007 Wang et al.
 7,235,012 B2 6/2007 DiDato
 D547,763 S 7/2007 Hayes et al.
 D556,201 S 11/2007 Ashida et al.
 7,314,413 B2 1/2008 Ogata et al.
 D563,480 S 3/2008 Blaseflug et al.
 D565,668 S 4/2008 Baseflug et al.
 D568,335 S 5/2008 Armstrong et al.
 D569,388 S 5/2008 Armstrong et al.
 D581,422 S 11/2008 Hayes et al.
 7,445,550 B2 11/2008 Barney et al.
 D585,931 S * 2/2009 Palmer D14/401
 D601,564 S 10/2009 Maeno
 D619,596 S 7/2010 Maitlen et al.
 7,762,553 B2 7/2010 Harris
 D624,049 S 9/2010 Liu
 7,887,768 B2 2/2011 Honjo et al.
 D636,773 S 4/2011 Lin
 D637,153 S 5/2011 Ikeda et al.
 D638,016 S 5/2011 Ikeda
 D646,275 S 10/2011 Ikeda et al.
 D650,795 S 12/2011 Koehn
 D655,350 S 3/2012 Taniguchi et al.
 D658,178 S 4/2012 Ikeda et al.
 D658,179 S * 4/2012 Ikeda D14/401
 D659,140 S 5/2012 Ikeda et al.
 D667,892 S 9/2012 Burgess et al.
 D685,434 S 7/2013 Ali et al.
 8,487,876 B2 7/2013 Ikeda et al.
 D692,001 S 10/2013 Ibuki et al.



8,545,323	B2	10/2013	McVicar et al.	
D692,887	S	11/2013	Ibuki et al.	
D694,830	S	12/2013	Crowley et al.	
D700,182	S	2/2014	Kidakarn	
8,641,525	B2	2/2014	Burgess et al.	
D707,758	S	6/2014	Norman et al.	
D708,615	S	7/2014	Delrue et al.	
D709,498	S	7/2014	Morris et al.	
D709,499	S	7/2014	Morris et al.	
D709,882	S	7/2014	Morris et al.	
D712,973	S	9/2014	Sumii et al.	
D715,865	S	10/2014	Morris et al.	
8,903,100	B2	12/2014	Hiraki	
8,903,111	B2	12/2014	Garet et al.	
8,925,414	B1	1/2015	Park et al.	
8,994,666	B2	3/2015	Karpfinger	
D730,451	S	5/2015	Burgess et al.	
9,029,721	B2	5/2015	Ikeda et al.	
9,053,243	B2	6/2015	Townsend	
D733,802	S	7/2015	Burgess et al.	
D736,322	S	8/2015	Navid	
9,118,750	B2	8/2015	Vossoughi et al.	
D740,825	S *	10/2015	Bellinghausen	D14/401
D745,607	S	12/2015	Jones	
D748,734	S	2/2016	Burgess et al.	
9,251,701	B2	2/2016	Plagge et al.	
D754,128	S	4/2016	Bellinghausen et al.	
D765,790	S	9/2016	Chatterjee et al.	
D765,791	S	9/2016	Chatterjee et al.	
D765,792	S	9/2016	Chatterjee et al.	
D765,793	S	9/2016	Chatterjee et al.	
2006/0079328	A1 *	4/2006	Wang	A63F 13/06 463/37
2006/0116204	A1	6/2006	Chen et al.	
2013/0130800	A1 *	5/2013	Sirilux	A63F 13/24 463/37

FOREIGN PATENT DOCUMENTS

JP	D1297485	4/2007
JP	D1424810	10/2011
JP	D1492113	2/2014
JP	D1492114	3/2014
JP	D1492115	3/2014
JP	D1549312	4/2016
JP	D1551961	6/2016
JP	D1552375	6/2016
KE	D1551960	6/2016
KR	30-0751062-000	7/2014
TW	D165791	2/2015
TW	D165793	2/2015
TW	D177467	8/2016
TW	D177469	8/2016

OTHER PUBLICATIONS

Side-by-side: Xbox One Gamepad vs Xbox 360 gamepad (Jun. 11, 2013), <http://www.techradar.com/us/news/gaming/consoles/side-by-side-xbox-one-gamepad-vs-xbox-360-gamepad-1158091>.
 May 2, 2016—(US) Notice of Allowance—U.S. Appl. No. 29/530,225, filed Jun. 15, 2015; Inv: Christopher Kujawski.
 May 11, 2016—(US) Restriction Requirement—U.S. Appl. No. 29/530,106, filed Jun. 15, 2015; Inv: Christopher Kujawski.
 May 10, 2016—(US) Restriction Requirement—U.S. Appl. No. 29/530,098, filed Jun. 15, 2015; Inv: Christopher Kujawski.
 May 17, 2016—(US) Notice of Allowance—U.S. Appl. No. 29/530,102, filed Jun. 12, 2015; Inv: Christopher Kujawski.
 May 6, 2016—(US) Notice of Allowance—U.S. Appl. No. 29/530,110, filed Jun. 12, 2015; Inv: Christopher Kujawski.
 May 5, 2016—(US) Notice of Allowance—U.S. Appl. No. 29/530,108, filed Jun. 12, 2015; Inv: Christopher Kujawski.
 May 2, 2016—(US) Notice of Allowance—U.S. Appl. No. 29/530,122, filed Jun. 12, 2015; Inv: Christopher Kujawski.
 Apr. 26, 2016—(US) Notice of Allowance—U.S. Appl. No. 29/530,111, filed Jun. 12, 2015; Inv: Christopher Kujawski.

Apr. 11, 2016—(US) Notice of Allowance—U.S. Appl. No. 29/530,113, filed Jun. 12, 2015; Inv: Christopher Kujawski.
 Apr. 14, 2016—(US) Non-Final Office Action—U.S. Appl. No. 29/530,114, filed Jun. 12, 2015; Inv: Christopher Kujawski.
 Apr. 11, 2016—(US) Notice of Allowance—U.S. Appl. No. 29/530,115, filed Jun. 12, 2015; Inv: Christopher Kujawski.
 May 6, 2016—(US) Notice of Allowance—U.S. Appl. No. 29/530,116, filed Jun. 12, 2015; Inv: Christopher Kujawski.
 May 2, 2016—(US) Notice of Allowance—U.S. Appl. No. 29/530,120, filed Jun. 12, 2015; Inv: Christopher Kujawski.
 May 6, 2016—(US) Notice of Allowance—U.S. Appl. No. 29/530,285, filed Jun. 15, 2015; Inv: Christopher Kujawski.
 Jun. 22, 2016—(US) Notice of Allowance—U.S. Appl. No. 29/530,243, filed Jun. 12, 2015; Inv: Christopher Kujawski.
 Apr. 26, 2016—(US) Non-Final Office Action—U.S. Appl. No. 29/530,237, filed Jun. 15, 2015; Inv: Christopher Kujawski.
 Jul. 27, 2016—(IN) Office Action—App 282967; filed Apr. 28, 2016; Inv: Christopher Kujawski.
 Aug. 2, 2016—(IN) Office Action—App 282964; filed Apr. 28, 2016; Inv: Christopher Kujawski.
 Jul. 27, 2016—(IN) Office Action—App 282965; filed Apr. 28, 2016; Inv: Christopher Kujawski.
 Aug. 2, 2016—(IN) Office Action—App 282968; filed Apr. 28, 2016; Inv: Christopher Kujawski.
 Aug. 4, 2016—(VN) Office Action—App 282968; filed Apr. 27, 2016; Inv: Christopher Kujawski.
 Aug. 2, 2016—(IN) Office Action—App 282966; filed Apr. 28, 2016; Inv: Christopher Kujawski.
 Jul. 22, 2016—(US) Notice of Allowance—U.S. Appl. No. 29/530,098, filed Jun. 12, 2015; Inv: Christopher Kujawski.
 Jul. 22, 2016—(US) Notice of Allowance—U.S. Appl. No. 29/530,106, filed Jun. 12, 2015; Inv: Christopher Kujawski.
 Jul. 25, 2016—(US) Notice of Allowance—U.S. Appl. No. 29/530,112, filed Jun. 12, 2015; Inv: Christopher Kujawski.
 Aug. 1, 2016—(US) Notice of Allowance—U.S. Appl. No. 29/530,114, filed Jun. 12, 2015; Inv: Christopher Kujawski.
 Aug. 5, 2016—(US) Notice of Allowance—U.S. Appl. No. 29/530,237, filed Jun. 15, 2015; Inv: Christopher Kujawski.
 May 19, 2016—(KR) Office Action—App 30-2015-0063248; filed Dec. 11, 2015; Inv: Christopher Kujawski.
 Aug. 22, 2016—(KR) Office Action—App 30-2015-0063248; filed Dec. 11, 2015; Inv: Christopher Kujawski.
 Apr. 26, 2016—(JP) Office Action—App 2015-027786; filed Dec. 11, 2015; Inv: Christopher Kujawski.
 Aug. 23, 2016—(JP) Office Action—App 2015-027786; filed Dec. 11, 2015; Inv: Christopher Kujawski.
 Sep. 23, 2016—(US) Notice of Allowance—U.S. Appl. No. 29/543,968, filed Oct. 29, 2015; Inv.: Christopher Kujawski.
 May 21, 2016—(CA) Examiner's Report—App 168250; filed Apr. 29, 2016; Inv: Christopher Kujawski.
 Sep. 29, 2016—(TW) Notice of Allowance—App 105302369.
 Sep. 26, 2016—(TW) Search Report—App 105302369.
 Sep. 22, 2016—(TW) Search Report—App 105302366—Eng Tran.
 Sep. 26, 2016—(TW) Notice of Allowance—App 105302366.
 Sep. 29, 2016—(TW) Notice of Allowance—App 105302361.
 Sep. 22, 2016—(TW) Search Report—App 105302361—Eng Tran.
 Sep. 29, 2016—(TW) Notice of Allowance—App 105302367.
 Sep. 22, 2016—(TW) Search Report—App 105302367—Eng Tran.
 Nov. 30, 2016—(US) Non-Final Office Action—U.S. Appl. No. 29/543,976, filed Oct. 29, 2015; Inv: Christopher Kujawski.
 Nov. 28, 2016—(US) Notice of Allowance—U.S. Appl. No. 29/543,897, filed Oct. 29, 2016; Inv.: Christopher Kujawski.
 Dec. 6, 2016—(US) Notice of Allowance—U.S. Appl. No. 29/543,958, filed Jan. 29, 2015; Inv.: Christopher Kujawski.
 Nov. 28, 2016—(US) Notice of Allowance—U.S. Appl. No. 29/543,931, filed Jan. 29, 2015; Inv.: Christopher Kujawski.
 Sep. 19, 2016—(TW) Notice of Allowance—App 104306953D01.
 Sep. 9, 2016—(TW) Search Report—App 104306953D01—Eng Tran.
 Sep. 22, 2016—(TW) Search Report—App 105302371.
 Nov. 16, 2016—(TW) Search Report—App 105302368—Eng Tran.
 Nov. 15, 2016—(TW) Notice of Allowance—App 105302362.
 Sep. 29, 2016—(TW) Notice of Allowance—App 105302370.

Dec. 12, 2016—(US) Notice of Allowance—U.S. Appl. No. 29/543,963, filed Oct. 29, 2016; Inv.: Christopher Kujawski.
Nov. 7, 2016—(TW) Search Report—App 105302362.
Sep. 22, 2016 (TW) Search Report—App 105302370.
Dec. 14, 2016—(US) Notice of Allowance—U.S. Appl. No. 29/543,898, filed Oct. 29, 2015; Inv.: Christopher Kujawski.
Dec. 14, 2016—(US) Notice of Allowance—U.S. Appl. No. 29/543,902, filed Oct. 29, 2015; Inv.: Christopher Kujawski.
Sep. 29, 2016—(TW) Notice of Allowance—App 105302371.
Dec. 20, 2016—(US) Notice of Allowance—U.S. Appl. No. 29/543,904, filed Oct. 29, 2015; Inv.: Christopher Kujawski.

* cited by examiner

Primary Examiner — Freda S Nunn
(74) *Attorney, Agent, or Firm* — Banner & Witcoff, Ltd.

(57) **CLAIM**

The ornamental design for a controller with removeable thumbstick attachment, as shown and described.

DESCRIPTION

FIG. 1 is a front perspective view of a controller with removeable thumbstick attachment showing our new design in a first, attached state;

FIG. 2 is a top view thereof;
FIG. 3 is a front view thereof;
FIG. 4 is a rear view thereof;
FIG. 5 is a left side view thereof;
FIG. 6 is a right side view thereof;
FIG. 7 is a front perspective view of the controller with removeable thumbstick attachment of FIGS. 1-6 shown in a second, removed state;
FIG. 8 is a top view thereof;
FIG. 9 is a front view thereof;
FIG. 10 is a rear view thereof;
FIG. 11 is a left side view thereof;
FIG. 12 is a right side view thereof; and,
FIG. 13 is a bottom view thereof.

The broken line showing of the various unshaded elements of the controller with removeable thumbstick attachment in FIGS. 1-13 is for environmental purposes only and forms no part of the claimed design.

1 Claim, 13 Drawing Sheets

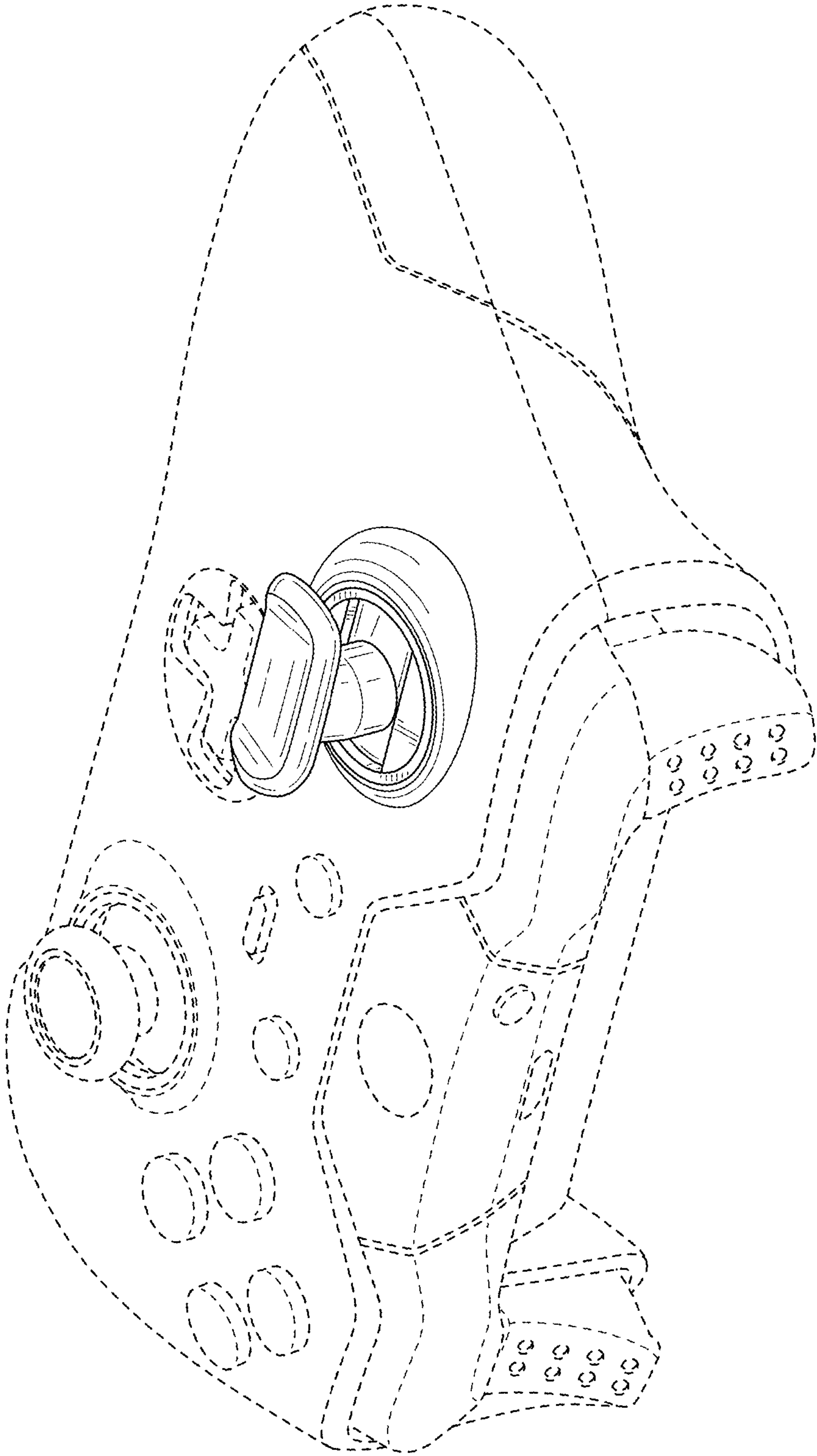


FIG. 1

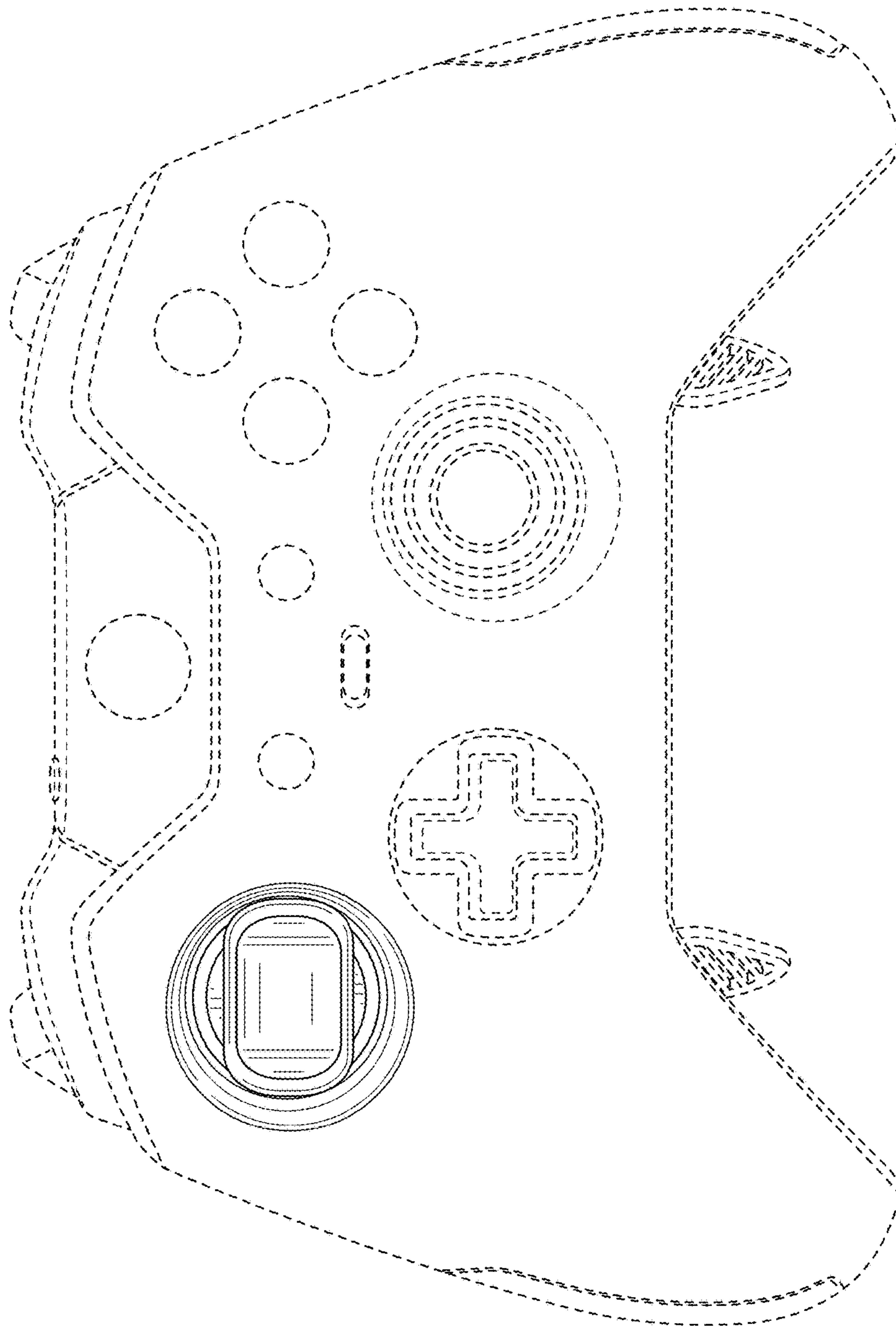


FIG. 2

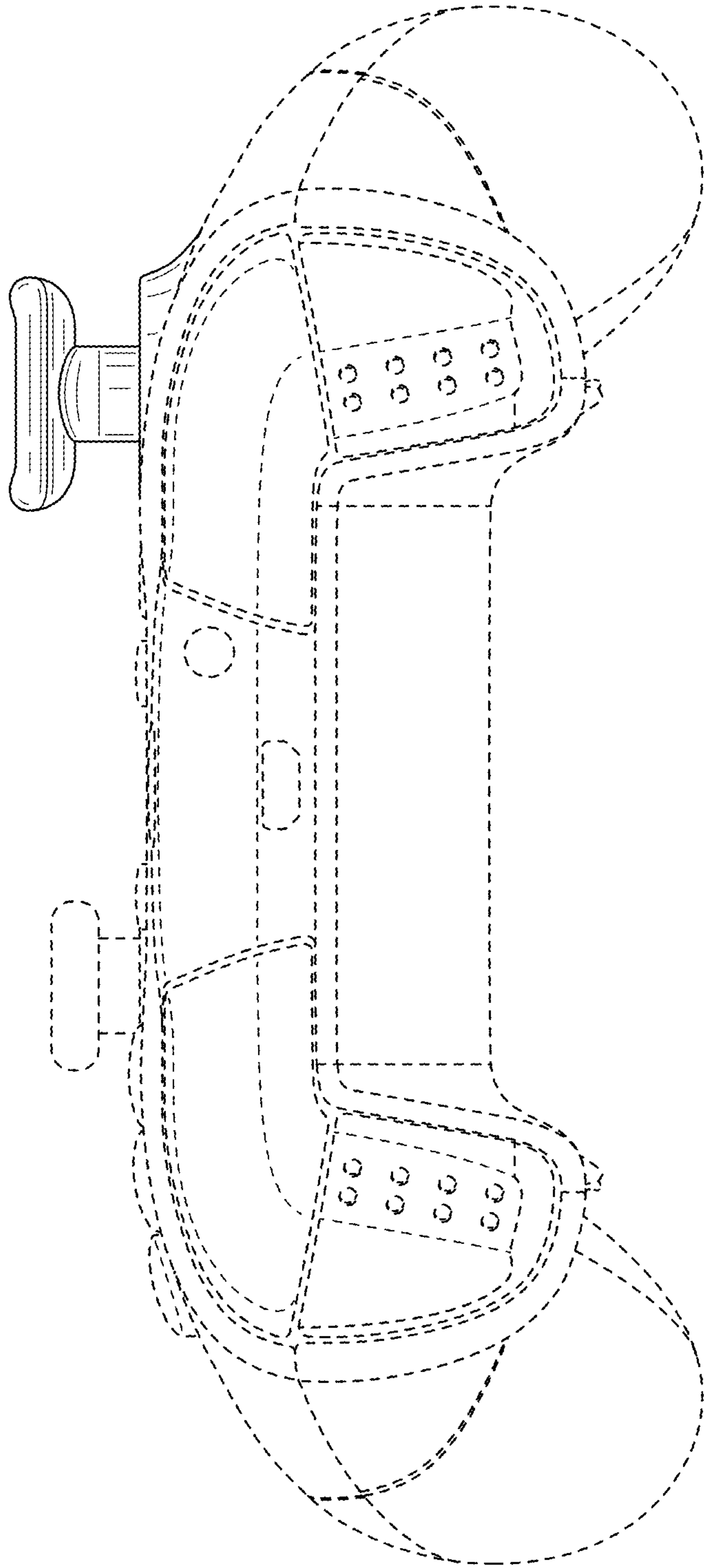


FIG. 3

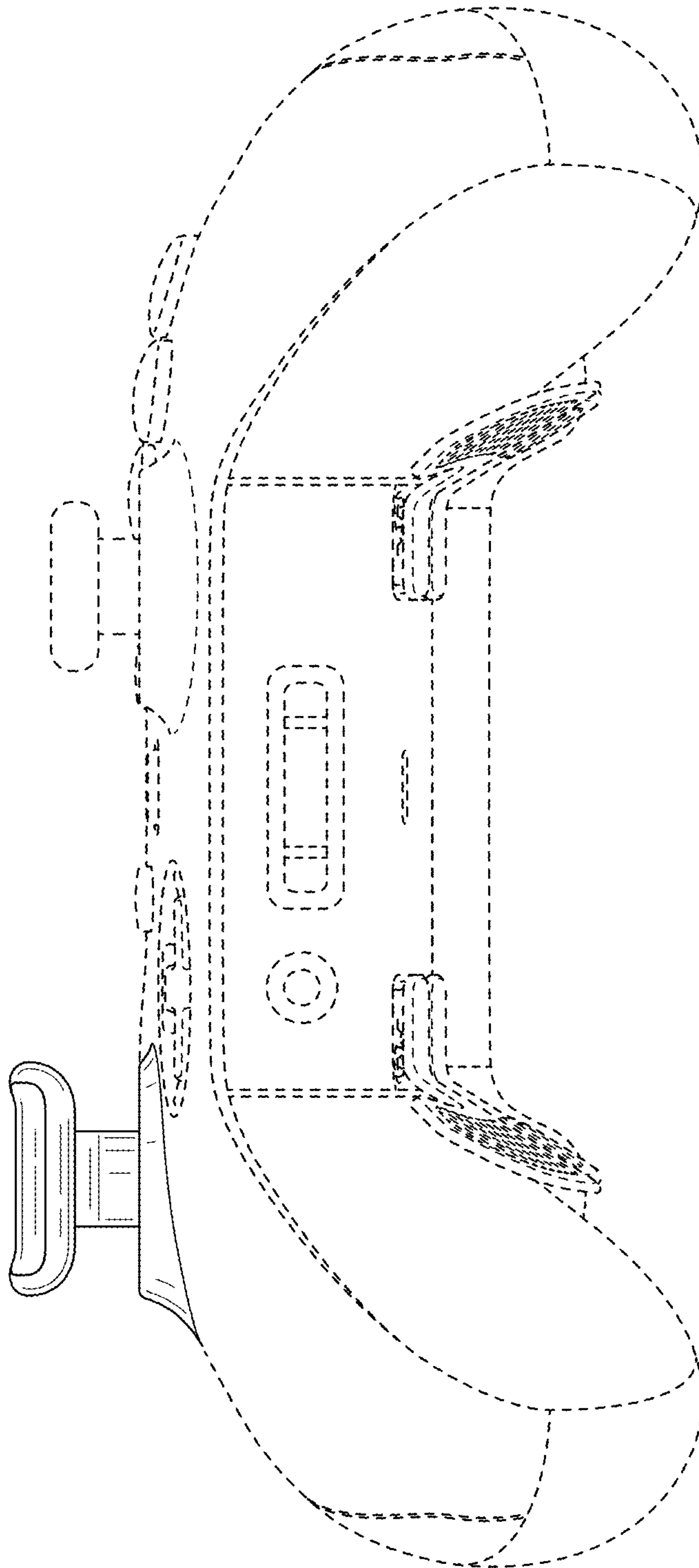


FIG. 4

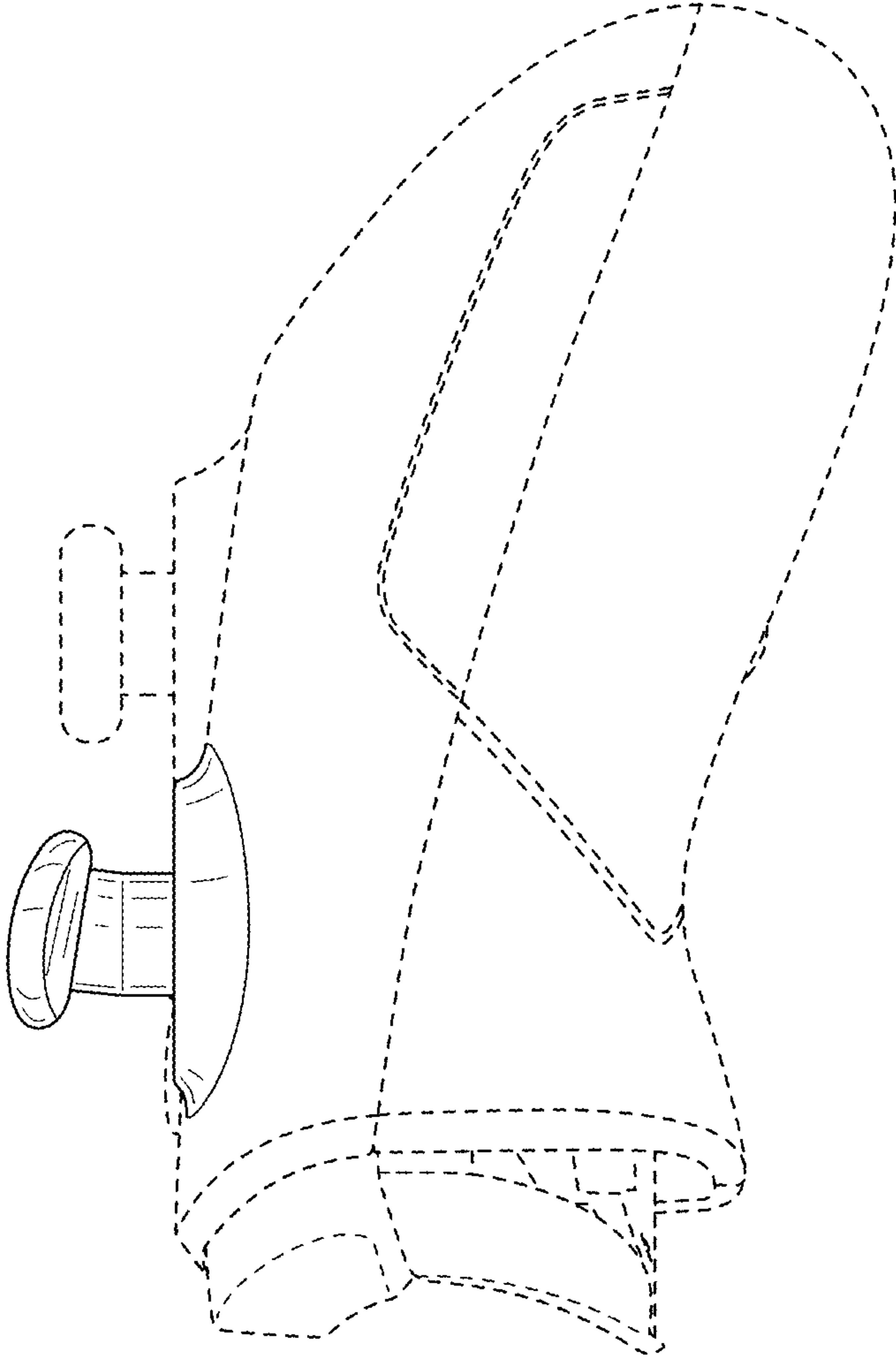


FIG. 5

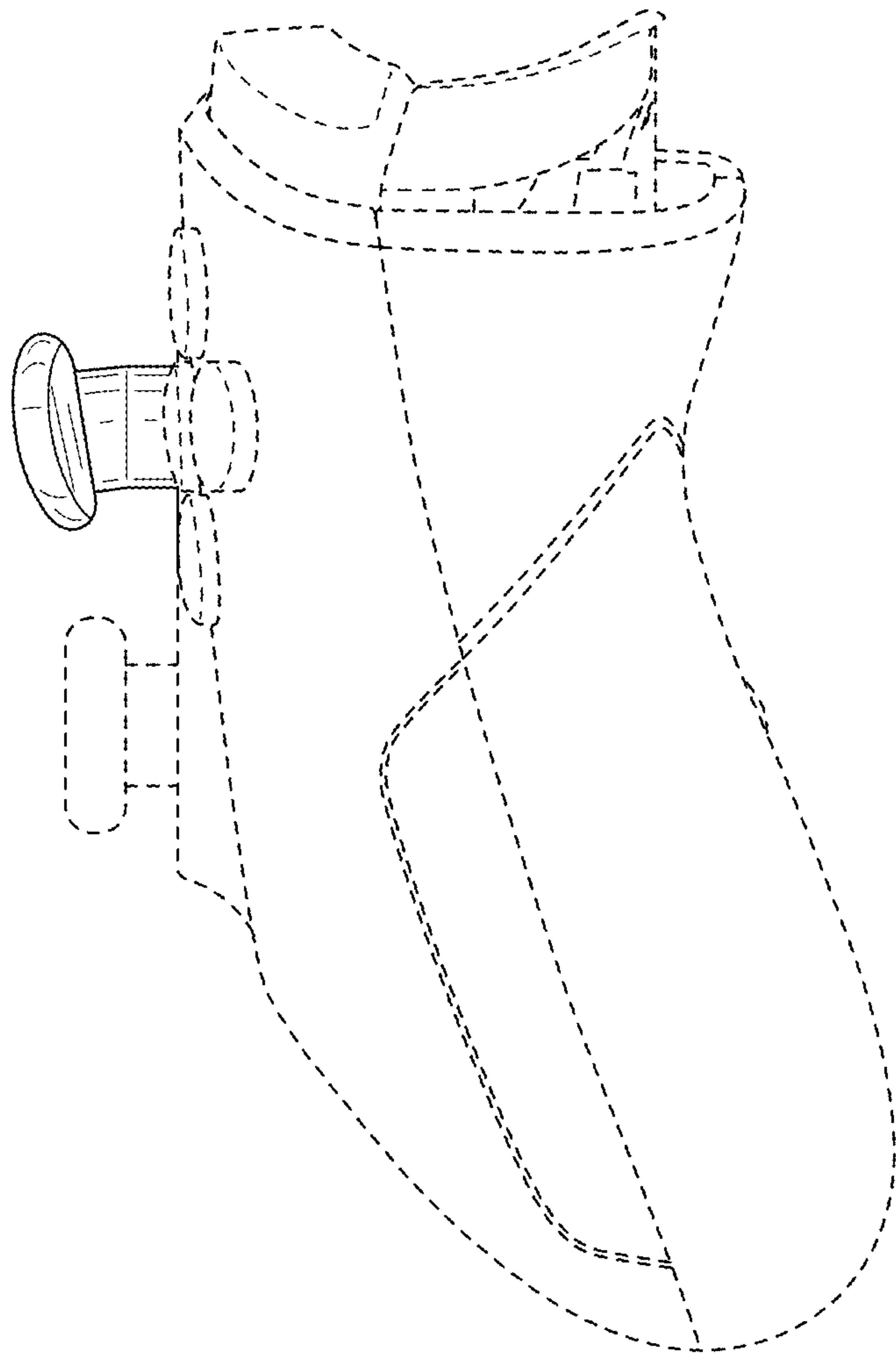


FIG. 6

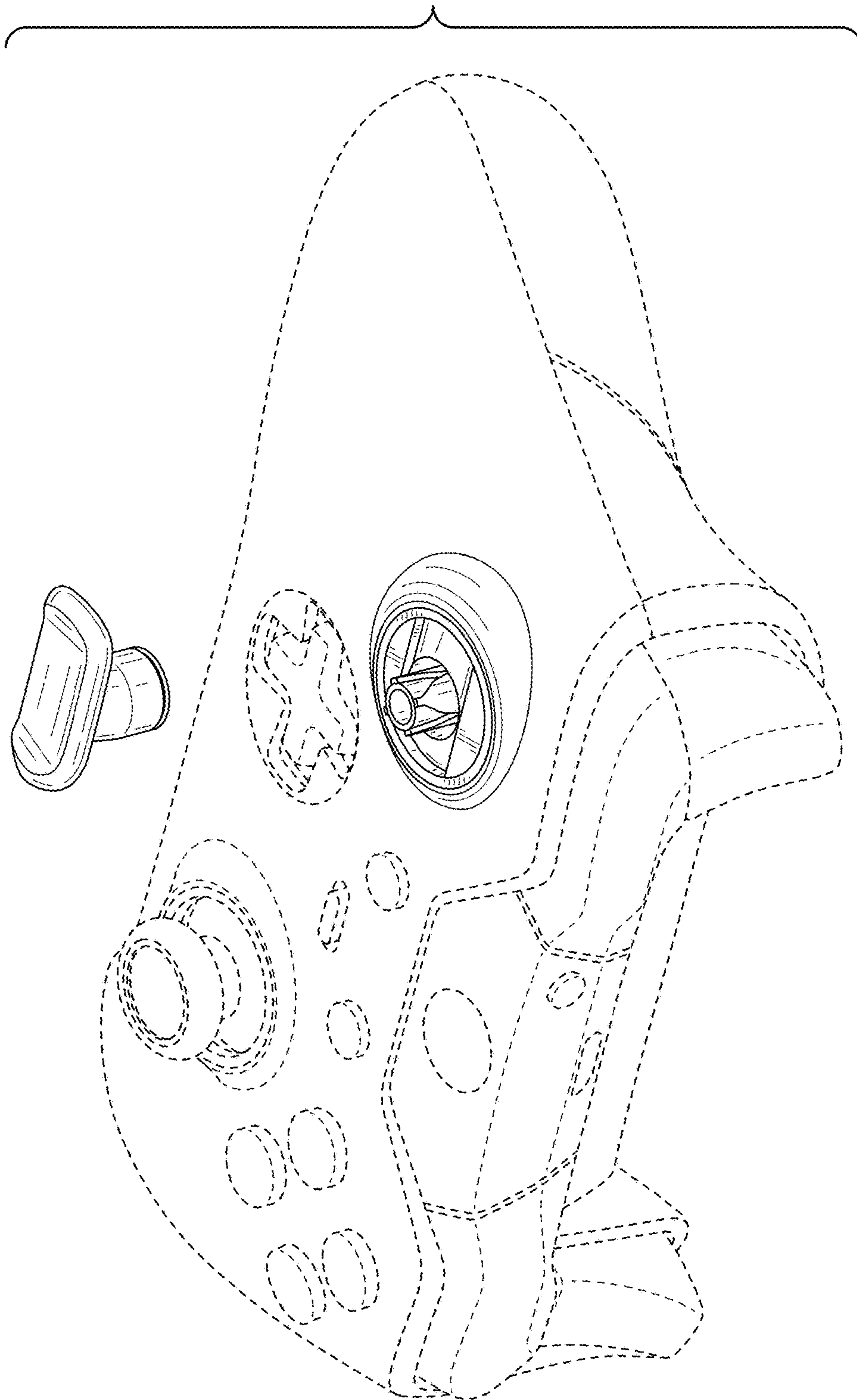


FIG. 7

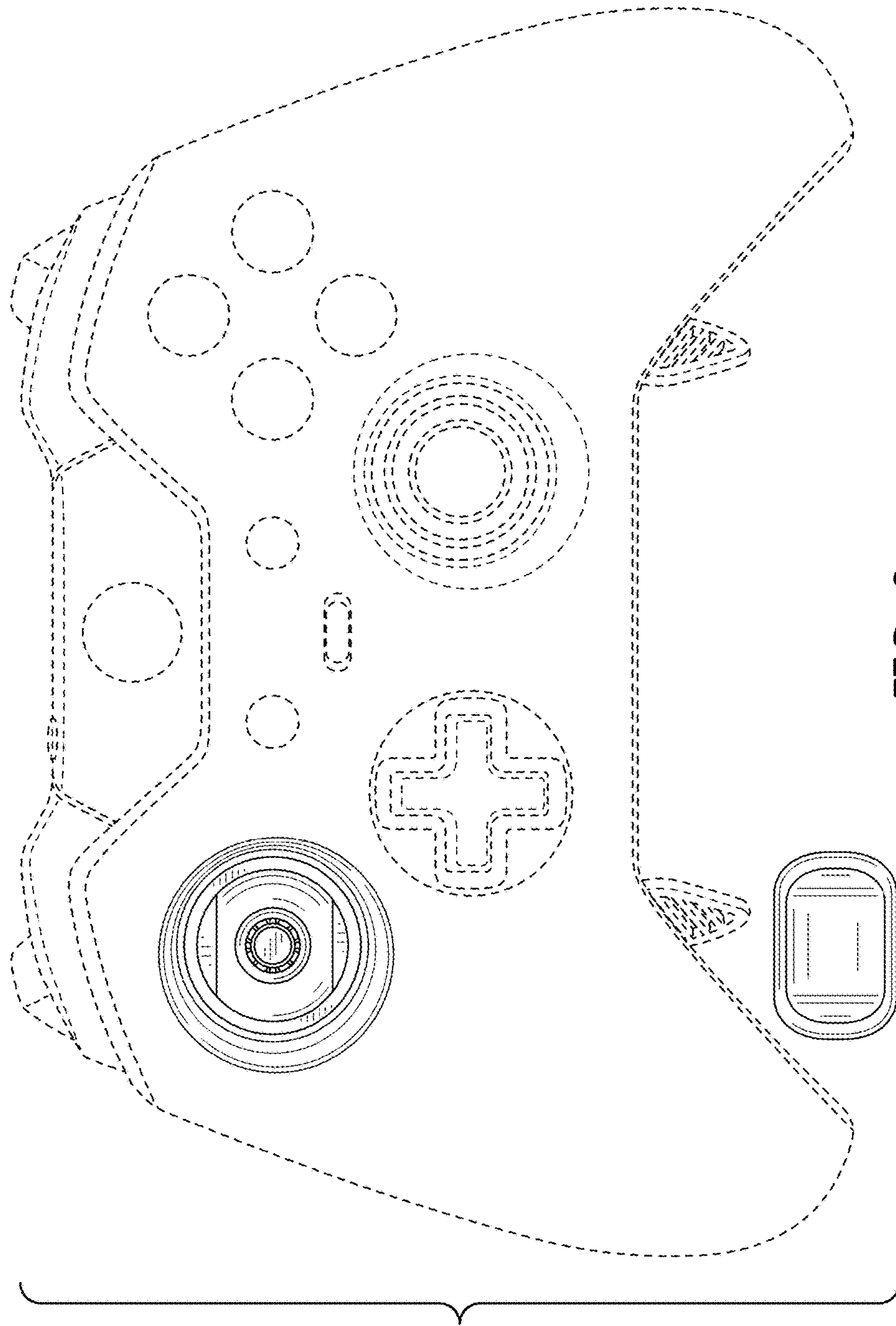


FIG. 8

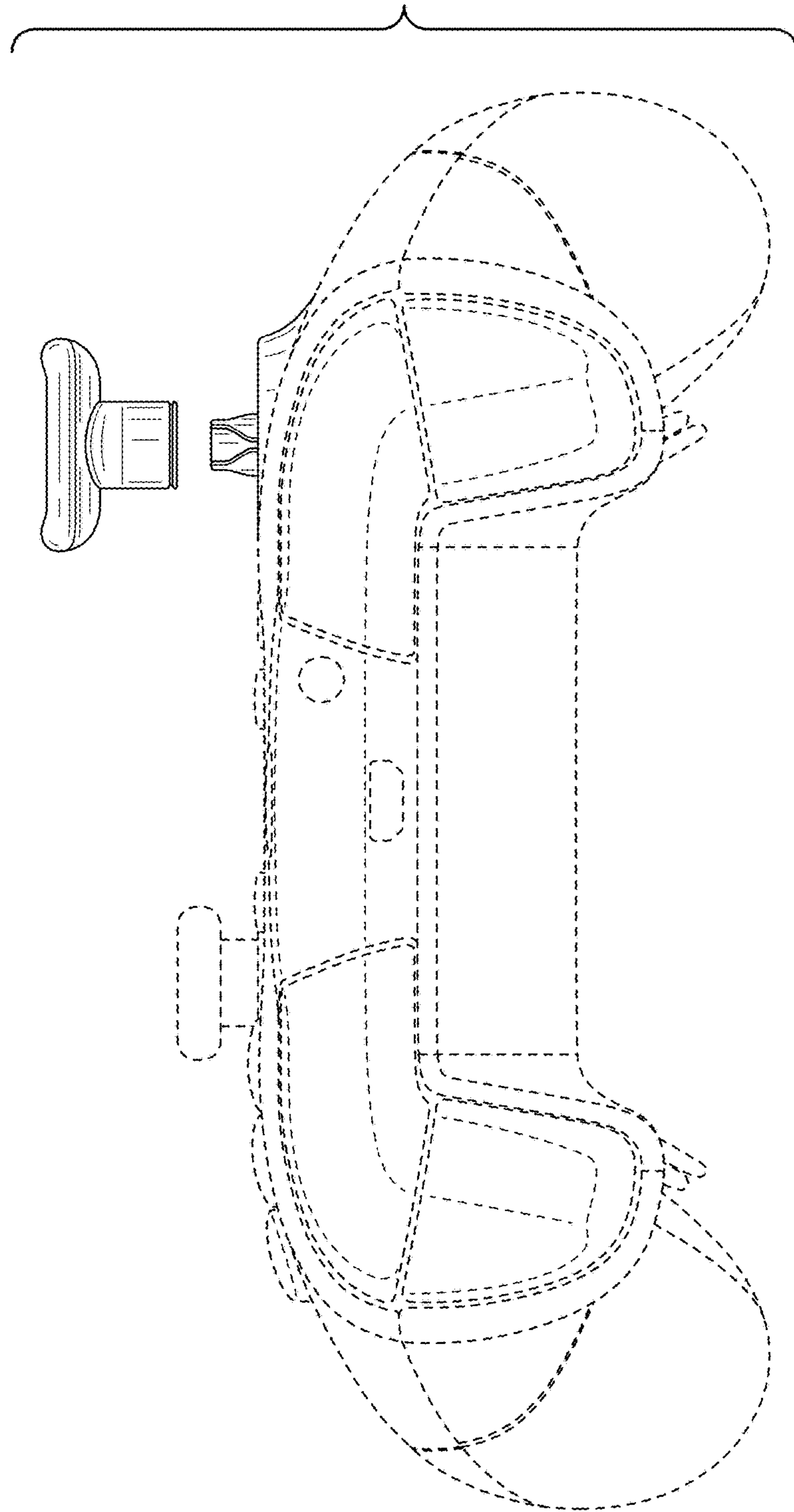


FIG. 9

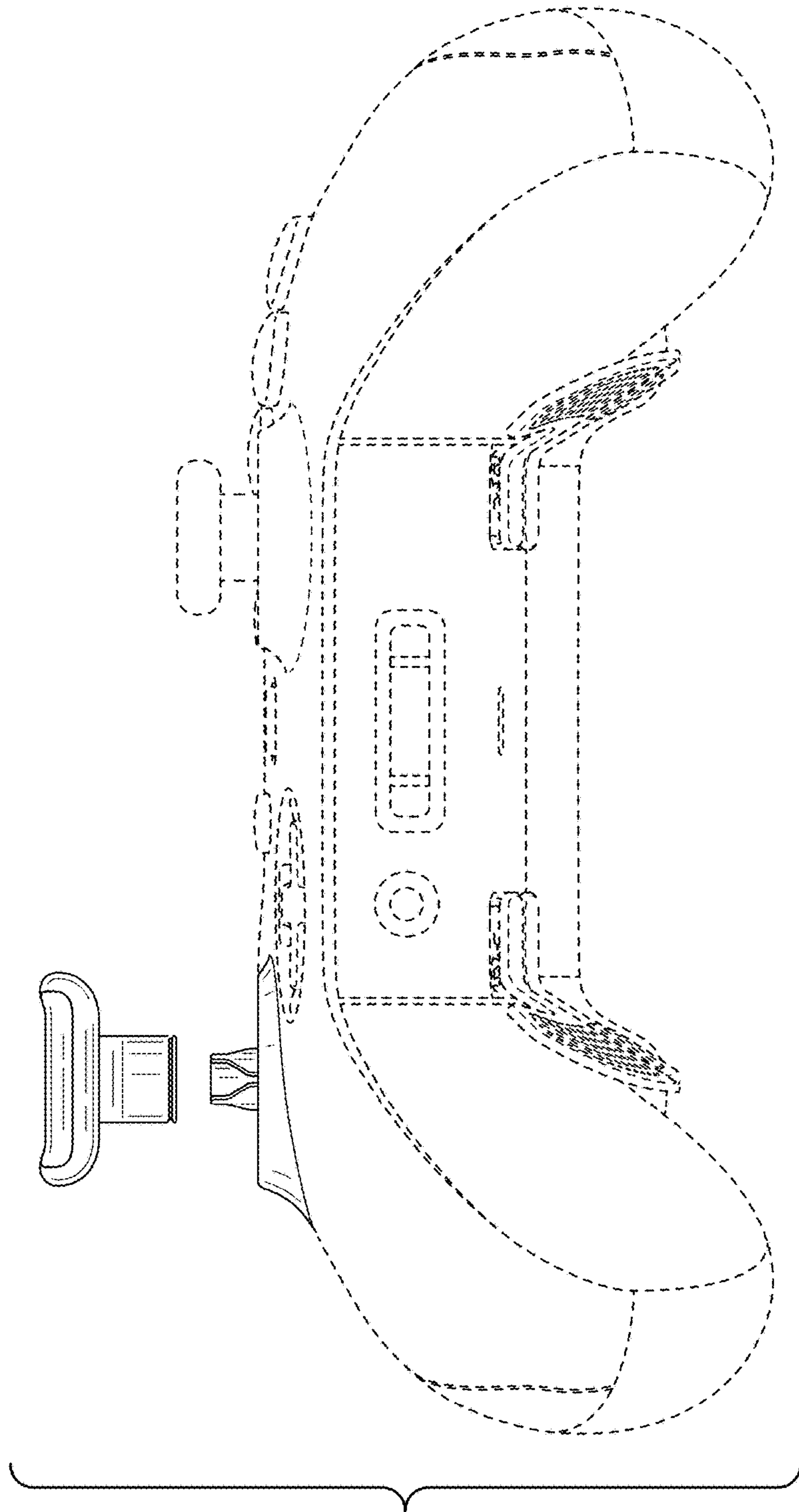


FIG. 10

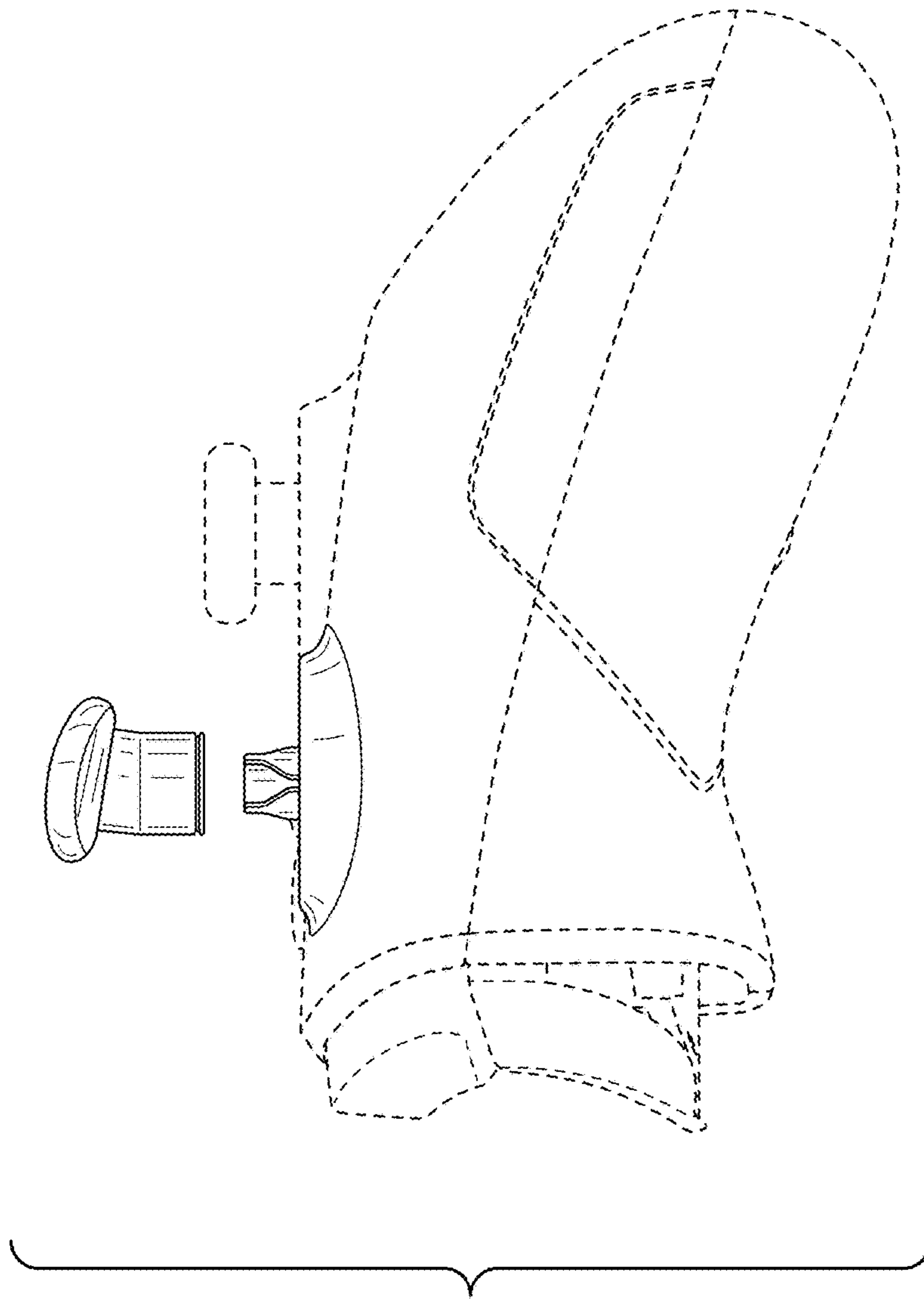


FIG. 11

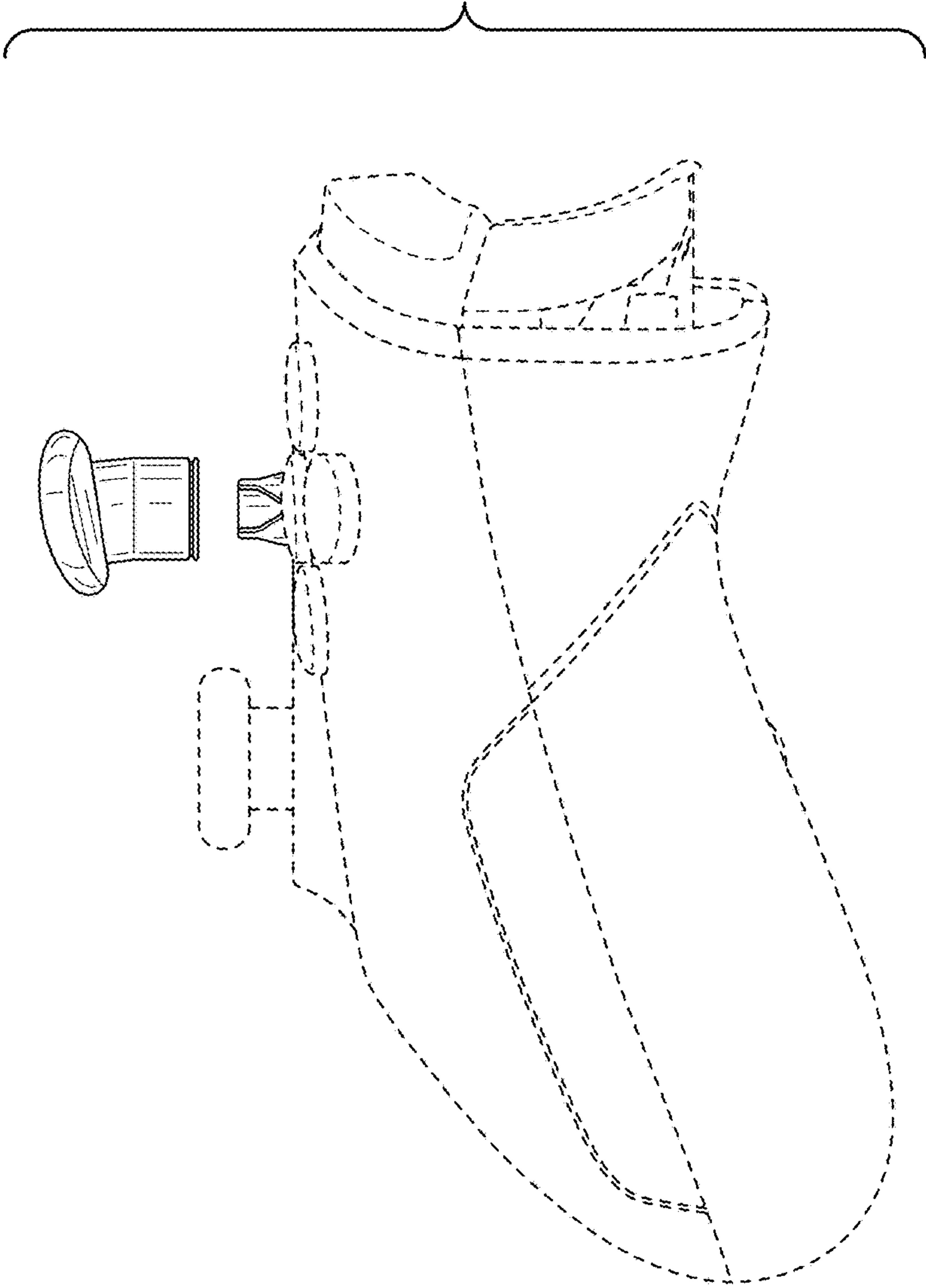


FIG. 12

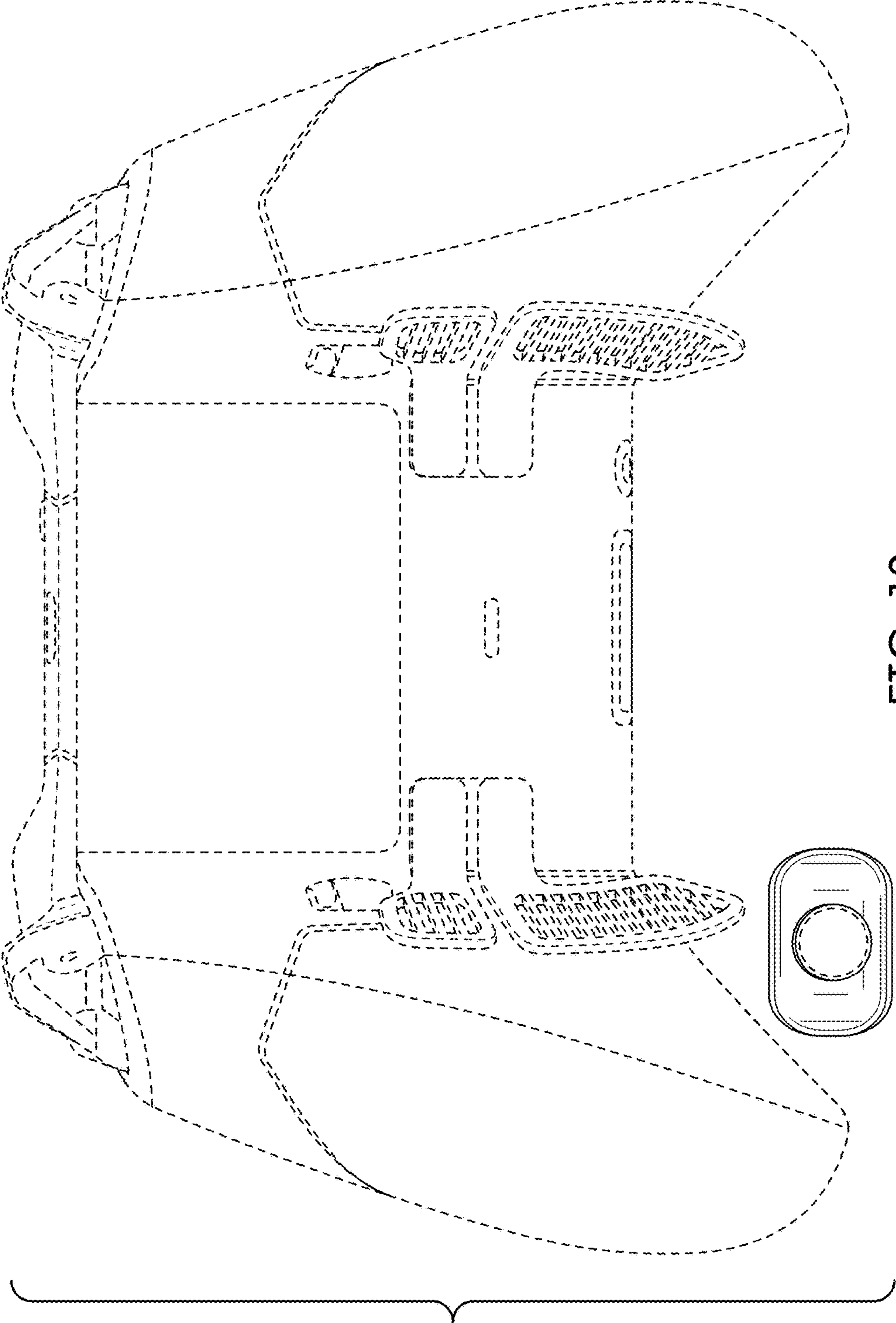


FIG. 13