



US00D784981S

(12) **United States Design Patent**
Park et al.

(10) **Patent No.:** **US D784,981 S**
(45) **Date of Patent:** **** Apr. 25, 2017**

(54) **WEARABLE DEVICE**

FOREIGN PATENT DOCUMENTS

(71) Applicant: **LG ELECTRONICS INC.**, Seoul (KR)

CN 201530184434 * 11/2015

(72) Inventors: **Soonhyun Park**, Seoul (KR);
Cheolwoong Shin, Seoul (KR);
Hongsik Kim, Seoul (KR); **Jinki Min**,
Seoul (KR); **Seunghwan Song**, Seoul
(KR); **Byunghyun Yi**, Seoul (KR);
Jiyoun Cha, Seoul (KR)

OTHER PUBLICATIONS

LG G Watch W100, posted at gsmarena.com, release date Jun. 2014,
© 2000-2016 gsmarena.com, [online], [site visited Nov. 21, 2016].
Available from Internet, <URL: http://www.gsmarena.com/lg_g_watch_w100-pictures-7718.php>.*

(Continued)

(73) Assignee: **LG ELECTRONICS INC.**, Seoul (KR)

Primary Examiner — Jeffrey D Asch
Assistant Examiner — Laura Yu

(**) Term: **15 Years**

(74) *Attorney, Agent, or Firm* — Birch, Stewart, Kolasch & Birch, LLP

(21) Appl. No.: **29/529,513**

(22) Filed: **Jun. 8, 2015**

(57) **CLAIM**

(30) **Foreign Application Priority Data**

The ornamental design for a wearable device, as shown and described.

Dec. 8, 2014 (KR) 30-2014-0059713

(51) **LOC (10) Cl.** **14-02**

(52) **U.S. Cl.**
USPC **D14/344**; D14/138 R; D10/38

(58) **Field of Classification Search**
USPC D14/138 R, 344; D10/30-32, 38-39, 65,
D10/70, 78, 97; D24/167; 361/679.03
CPC H04M 1/7253; G01C 17/00; G06F 1/163
See application file for complete search history.

DESCRIPTION

(56) **References Cited**

U.S. PATENT DOCUMENTS

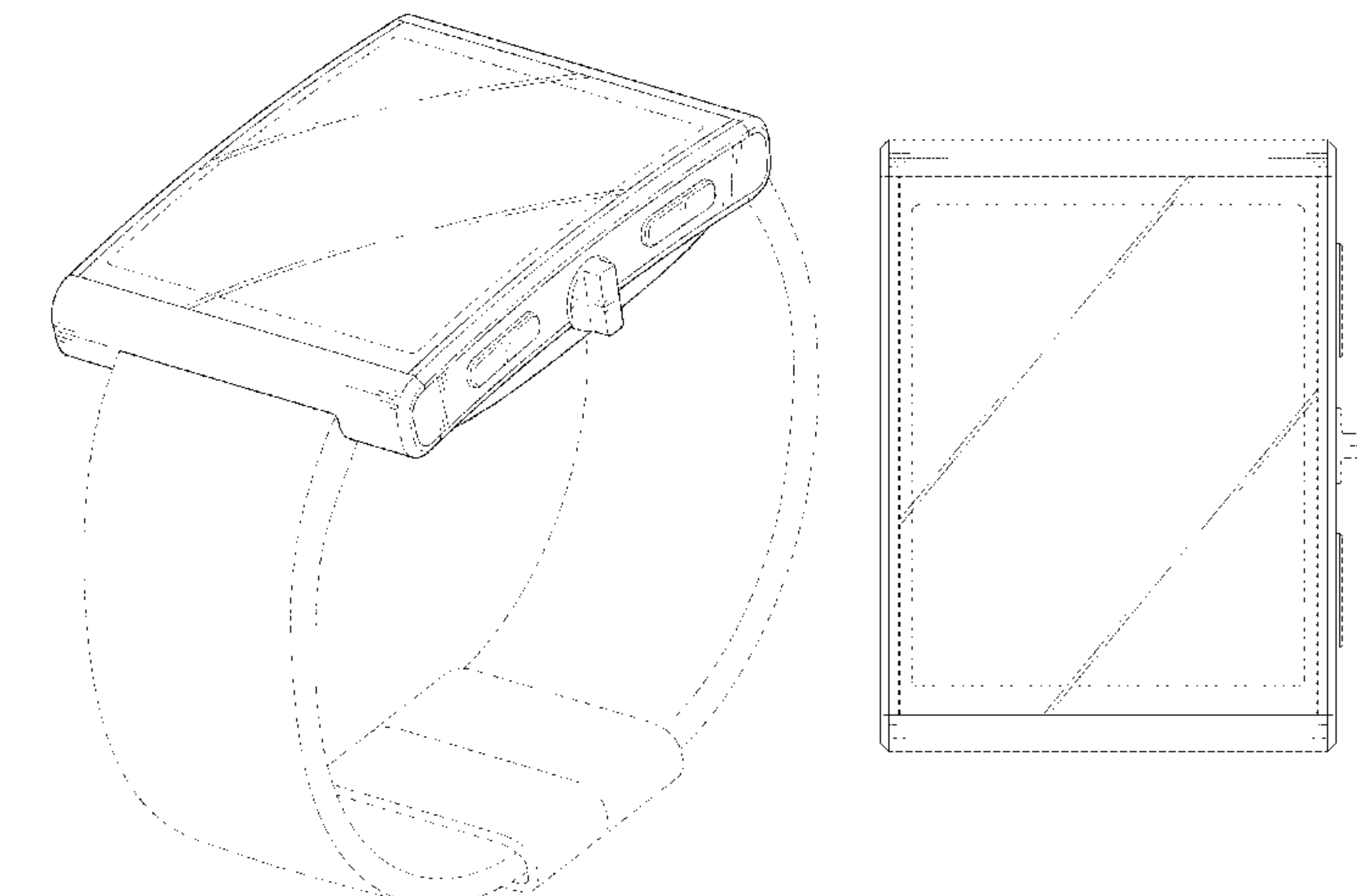
D528,928 S * 9/2006 Burton D10/38
D650,706 S * 12/2011 Zanella D10/32
D672,255 S * 12/2012 Zanella D10/32
D674,488 S * 1/2013 McKay D24/167
D681,483 S * 5/2013 Biegert D10/38
D719,123 S * 12/2014 Park D10/38
D739,768 S * 9/2015 Hanshew D10/30

FIG. 1 is a perspective view of a wearable device showing our new design;
FIG. 2 is a front view thereof;
FIG. 3 is a rear view thereof;
FIG. 4 is a left side view thereof;
FIG. 5 is a right side view thereof;
FIG. 6 is a top plan view thereof; and,
FIG. 7 is a bottom plan view thereof.

The broken lines that are immediately adjacent to the areas included in the claim, and define unshaded regions, represent the bounds of the claim. All other broken lines, including the display rectangle on the top, the band, and the features within broken line boundaries show environment. The broken lines form no part of the claimed design.

The portions of the bottom surface that are obscured by the band form no part of the claimed design.

1 Claim, 7 Drawing Sheets



(56)

References Cited

U.S. PATENT DOCUMENTS

D743,278 S * 11/2015 Solomon D10/38
D746,707 S * 1/2016 Akana D10/39
D753,510 S * 4/2016 Puttorngul D10/30
D756,243 S * 5/2016 Giannini D10/125
D763,107 S * 8/2016 Nielsen D10/30
D766,114 S * 9/2016 Rossi D10/65
D766,115 S * 9/2016 Ma D10/38
D766,752 S * 9/2016 Akana D10/30
D766,893 S * 9/2016 Akana D10/31
9,497,307 B2 * 11/2016 Jiang H04B 5/00
2016/0085397 A1 * 3/2016 Jain G06F 1/163
715/828

OTHER PUBLICATIONS

The Pebble Smartwatch, posted by Nathan Ingraham, posted date May 10, 2012, © 2016 The Verge, [online], [site visited Nov. 21, 2016]. Available from Internet, <URL: <http://www.theverge.com/2012/5/10/3011651/pebble-smartwatch-kickstarter-project>>.*

Smartwatch Shootout, posted by Ryan Johnstone, posted date Apr. 24, 2012, © 1996-2016 Geek, [online], [site visited Nov. 21, 2016]. Available from Internet, <URL: <http://www.geek.com/android/smartwatch-shootout-pebble-e-paper-watch-vs-the-competition-1484461/>>.*

Touch Screen Smartwatch u8, posted by China Warehouse, posted date not given, © 2007-2016 Everbuying, [online], [site visited Nov. 21, 2016]. Available from Internet, <URL: <http://m.everbuying.net/product556605.html>>.*

* cited by examiner

FIG. 1

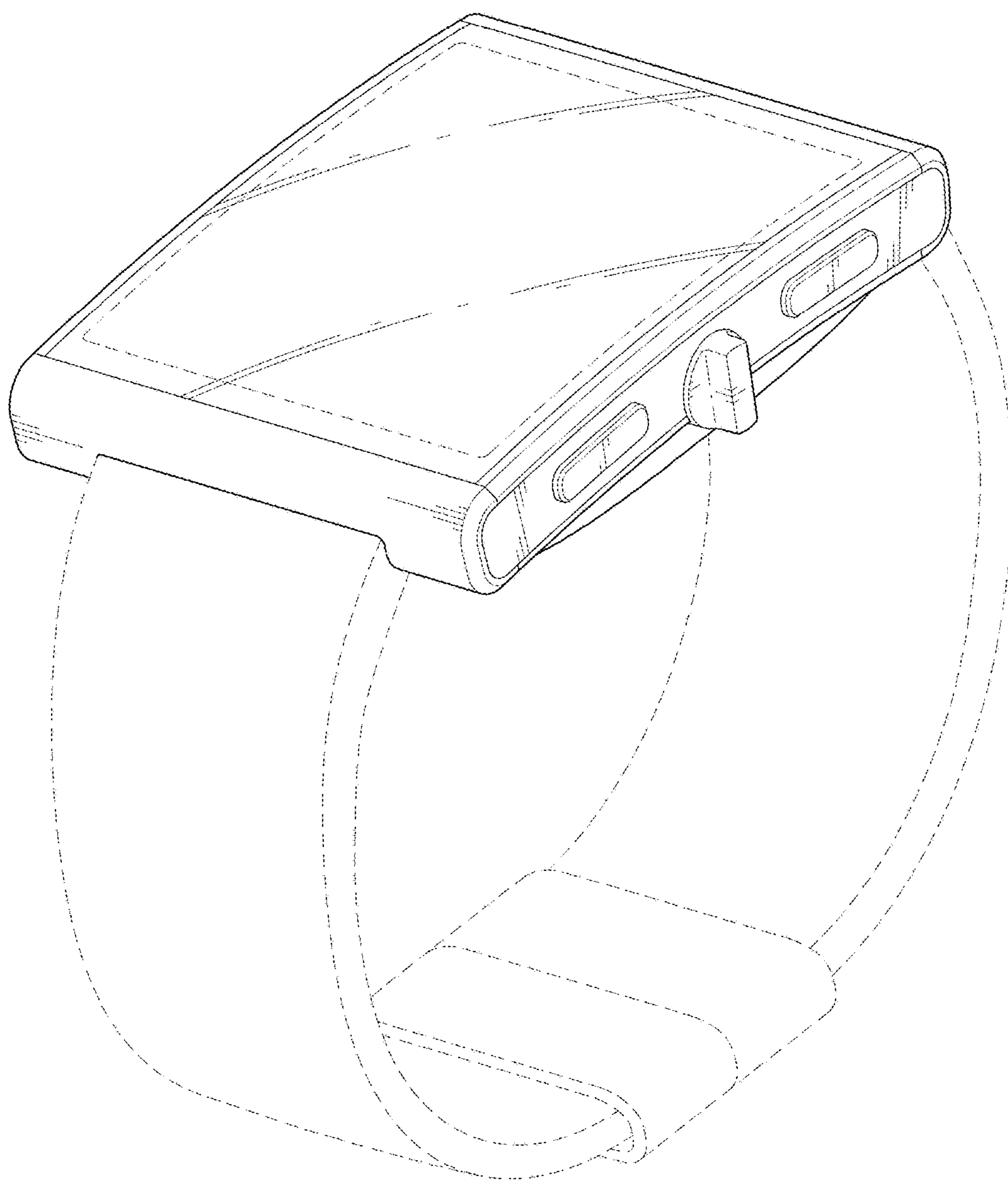


FIG. 2

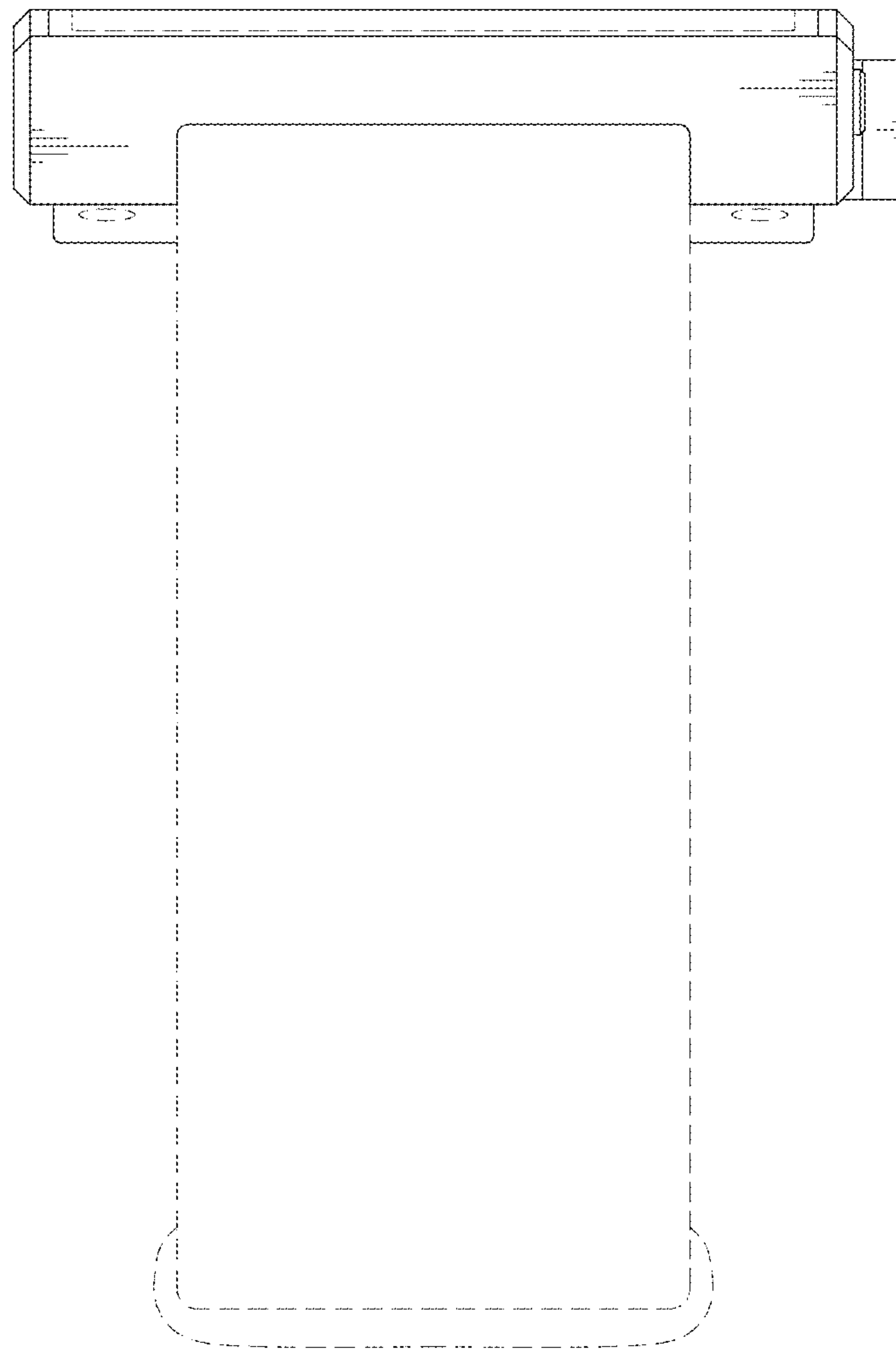


FIG. 3

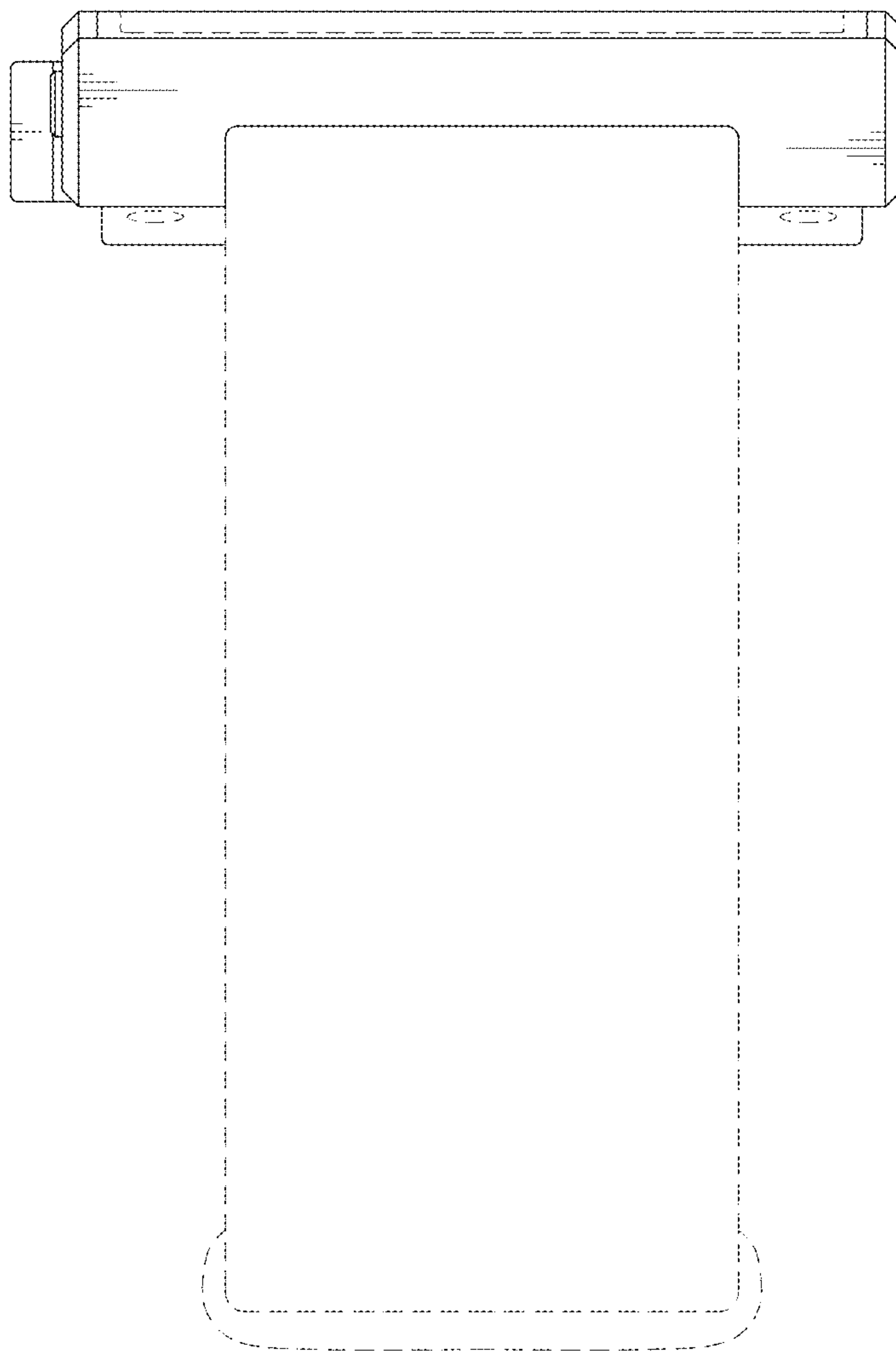


FIG. 4

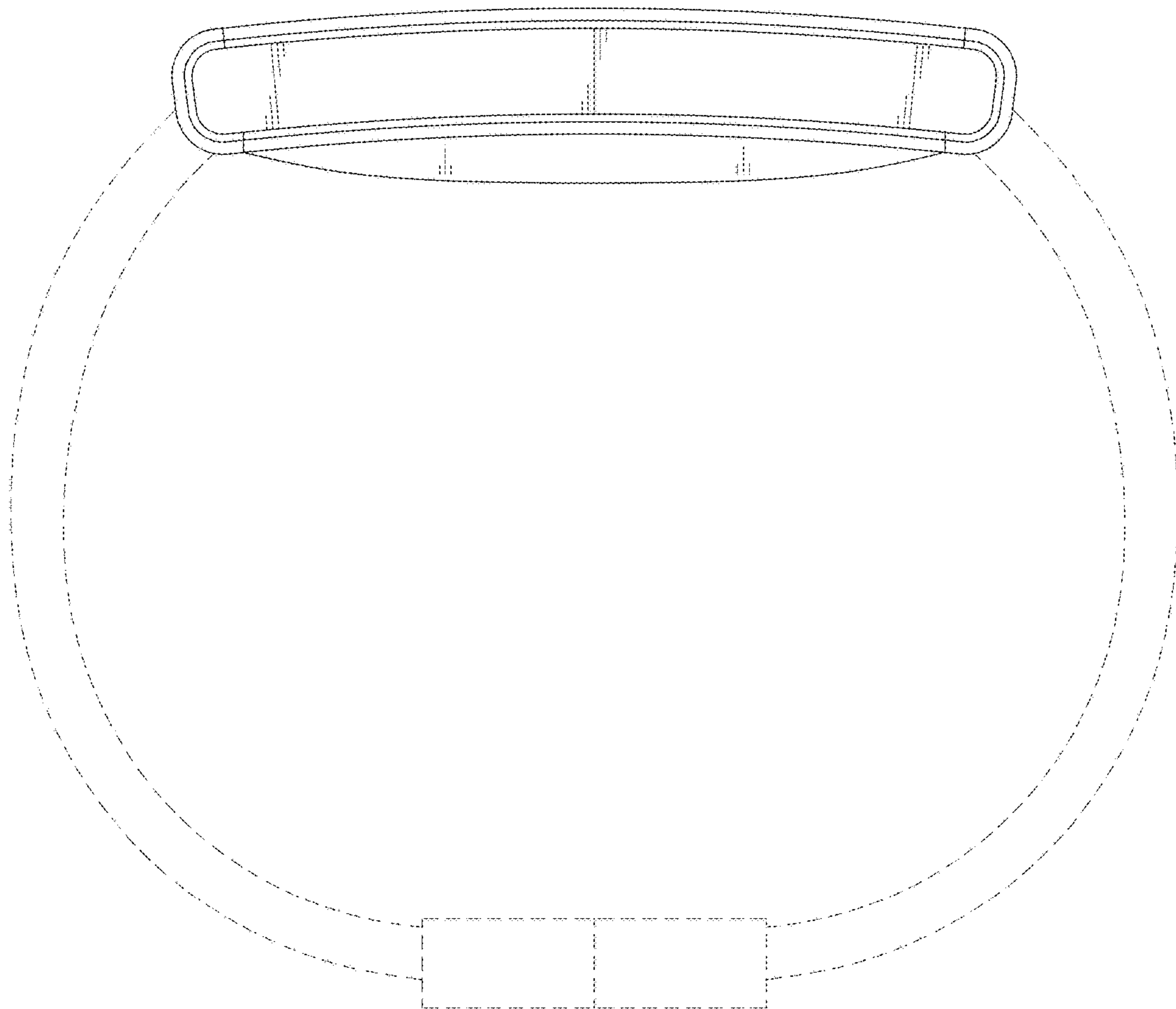


FIG. 5

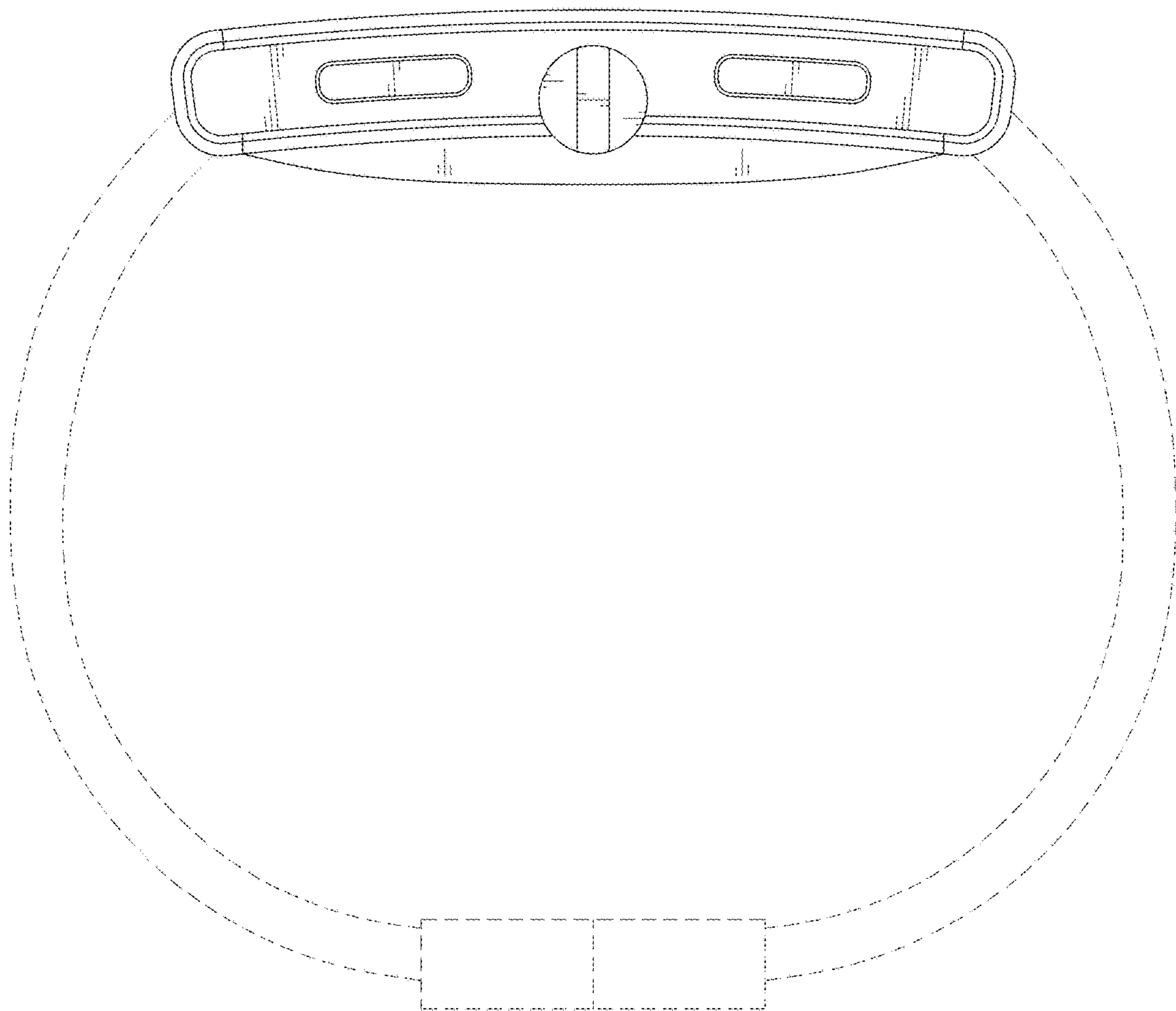


FIG. 6

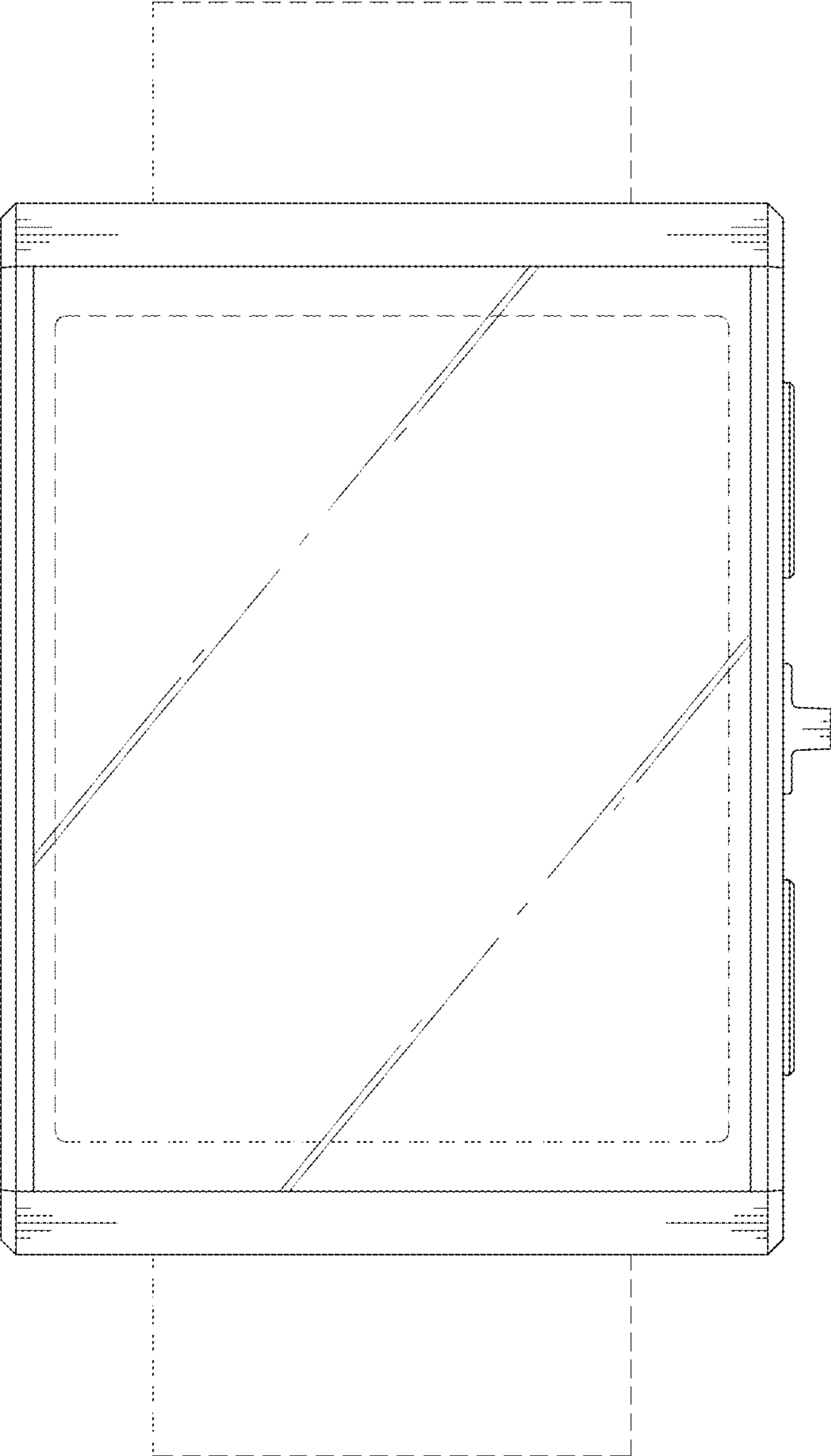


FIG. 7

