



US00D784980S

(12) **United States Design Patent** (10) **Patent No.:** **US D784,980 S**  
**Lin** (45) **Date of Patent:** **\*\* Apr. 25, 2017**

(54) **MULTI-MODE ELECTRONIC DEVICE**

(56) **References Cited**

(71) Applicant: **Lenovo (Beijing) Co., Ltd.**, Beijing (CN)

U.S. PATENT DOCUMENTS

(72) Inventor: **Zhimin Lin**, Beijing (CN)

D255,745 S 7/1980 Pedersen  
6,651,943 B2 11/2003 Cho et al.  
7,299,580 B2 11/2007 Wang et al.  
D585,399 S 1/2009 Hwang  
D603,862 S \* 11/2009 Skinner ..... D14/337

(73) Assignee: **Lenovo (Beijing) Co., Ltd.**, Beijing (CN)

(Continued)

(\*\*) Term: **15 Years**

*Primary Examiner* — Freda S Nunn

(21) Appl. No.: **29/549,596**

(74) *Attorney, Agent, or Firm* — Oppedahl Patent Law Firm LLC

(22) Filed: **Dec. 27, 2015**

(57) **CLAIM**

The ornamental design for a multi-mode electronic device, as shown and described.

**Related U.S. Application Data**

**DESCRIPTION**

(62) Division of application No. 29/489,978, filed on May 5, 2014, now Pat. No. Des. 750,066.

(30) **Foreign Application Priority Data**

Nov. 4, 2013 (CN) ..... 2013 3 0525209

(51) **LOC (10) Cl.** ..... **14-02**

(52) **U.S. Cl.**  
USPC ..... **D14/341**

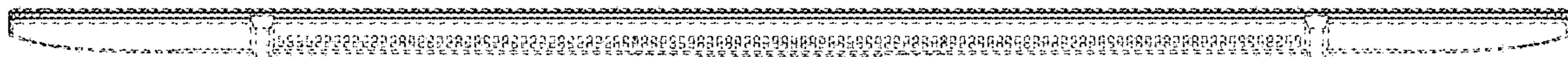
(58) **Field of Classification Search**  
USPC ..... D14/315-327, 341, 336, 337, 126-129;  
D18/1, 2, 7, 11, 4.6; 235/145 A, 145 R;  
341/22, 23; 345/104, 156, 168, 169, 173;  
361/679.08, 679.09, 679.11, 679.26,  
361/679.27  
CPC ..... G06F 1/16; G06F 1/1616; G06F 1/1626;  
G06F 1/1632; G06F 1/1613; G06F  
1/1601; G06F 1/1618; G06F 1/162; G06F  
1/166; G06F 1/1654; G06F 1/1681; G06F  
1/1637; G06F 1/1688; G06F 3/037; H01R  
35/02; H03M 11/00; G09B 13/04; H03K  
17/94; G09G 5/00; F16M 11/10; F16M  
11/00; F16M 11/02; H05K 5/00; H04M  
1/0237

See application file for complete search history.

FIG. 1 is a front elevation view of a multi-mode electronic device;  
FIG. 2 is a rear elevation view thereof;  
FIG. 3 is a left side elevation view thereof;  
FIG. 4 is a right side elevation view thereof;  
FIG. 5 is a top plan view thereof;  
FIG. 6 is a bottom plan view thereof;  
FIG. 7 is a top isometric view thereof;  
FIG. 8 is a bottom isometric view thereof;  
FIG. 9 is a front elevation view thereof with the stand being in an open position;  
FIG. 10 is a rear elevation view thereof;  
FIG. 11 is a left side elevation view thereof;  
FIG. 12 is a right side elevation view thereof;  
FIG. 13 is a top plan view thereof;  
FIG. 14 is a bottom plan view thereof;  
FIG. 15 is a right side isometric view thereof; and,  
FIG. 16 is a rear isometric view thereof.

The features shown in broken lines in the drawings depict environmental subject matter and form no part of the claimed design.

**1 Claim, 12 Drawing Sheets**



(56)

**References Cited**

U.S. PATENT DOCUMENTS

D634,320	S	*	3/2011	Bliven	.....	D14/336
D639,267	S		6/2011	DeLorenzo et al.		
D675,201	S	*	1/2013	Skinner	.....	D14/337
D678,877	S	*	3/2013	Groene	.....	D14/341
D687,820	S		8/2013	Kim		
D696,254	S	*	12/2013	Groene	.....	D14/341
D728,559	S	*	5/2015	Lim	.....	D14/341
D733,127	S	*	6/2015	Sung	.....	D14/341
2003/0058372	A1	*	3/2003	Williams	.....	F16M 11/18 348/836
2004/0201871	A1	*	10/2004	Risheq	.....	G06F 1/1618 358/474
2005/0052831	A1	*	3/2005	Chen	.....	G06F 1/1616 361/679.11
2006/0050471	A1		3/2006	Chen		

\* cited by examiner

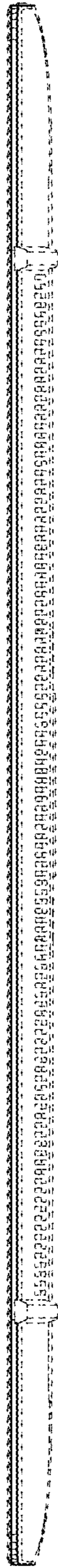


Fig.1



Fig.2

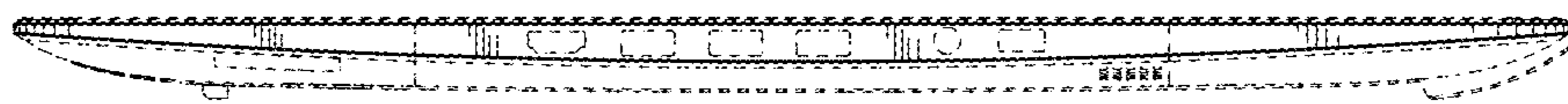


Fig.3

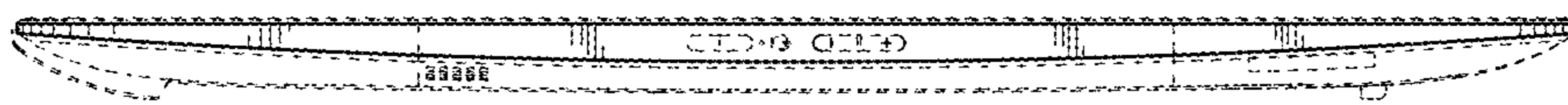


Fig.4

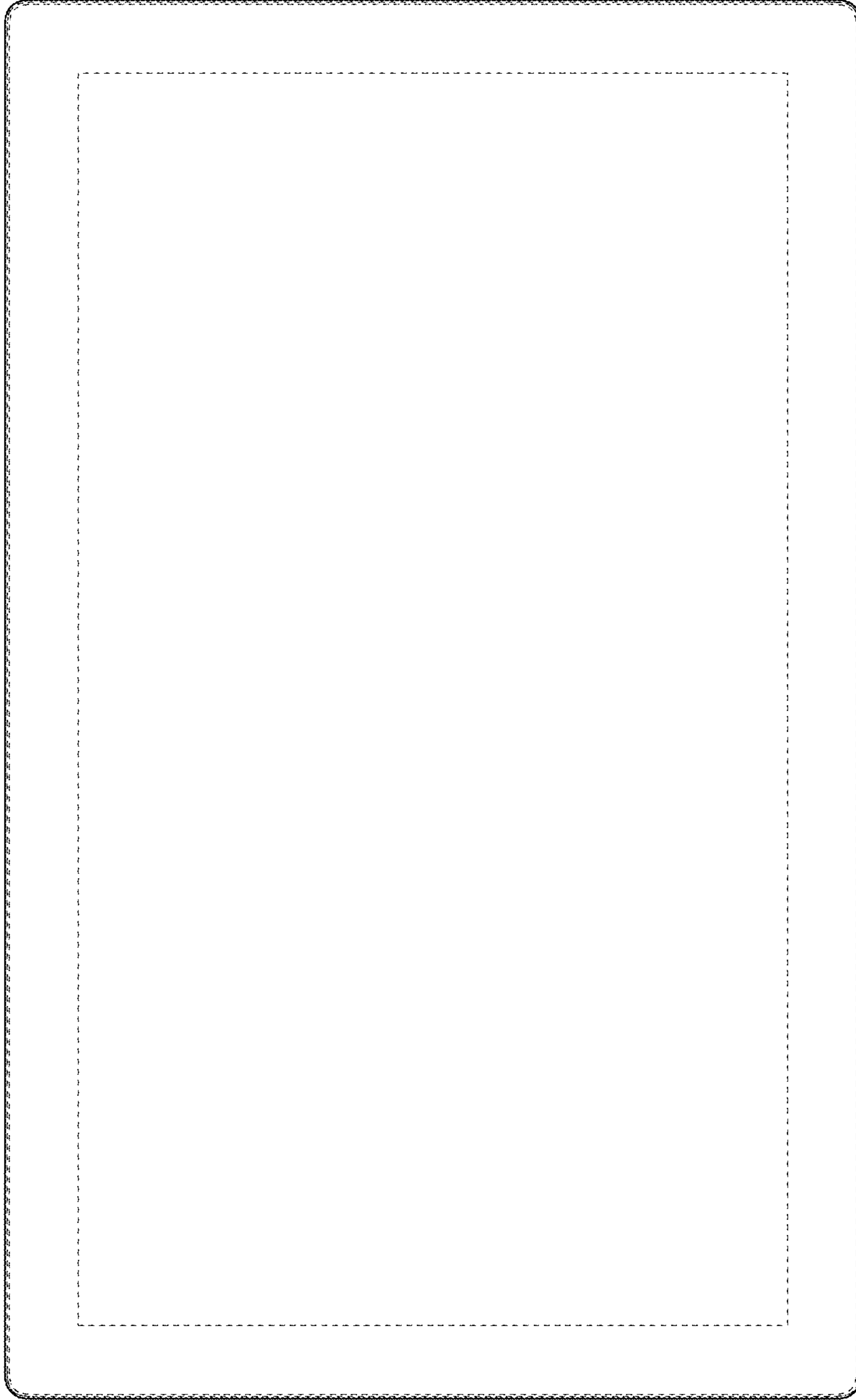


Fig. 5

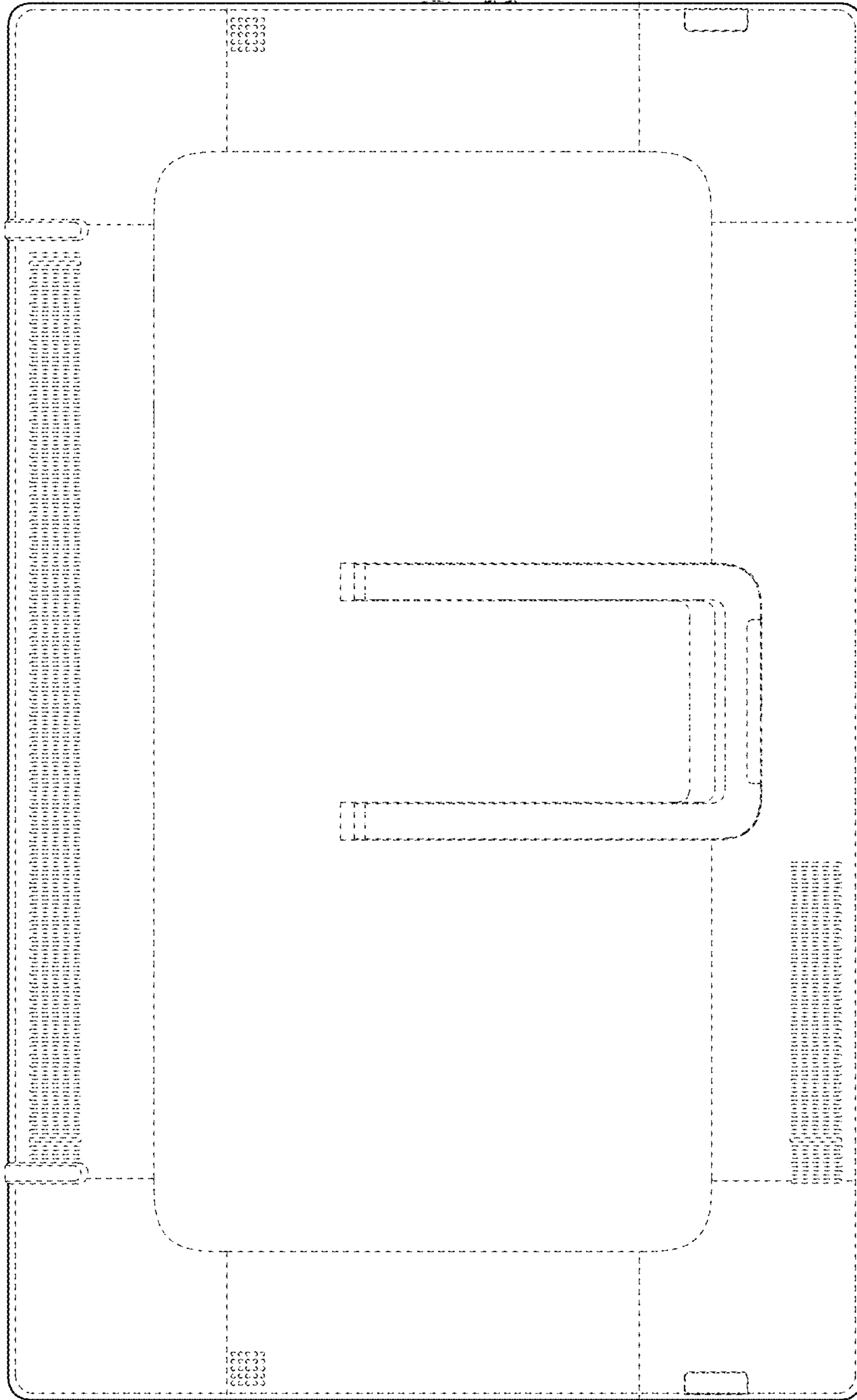


Fig.6

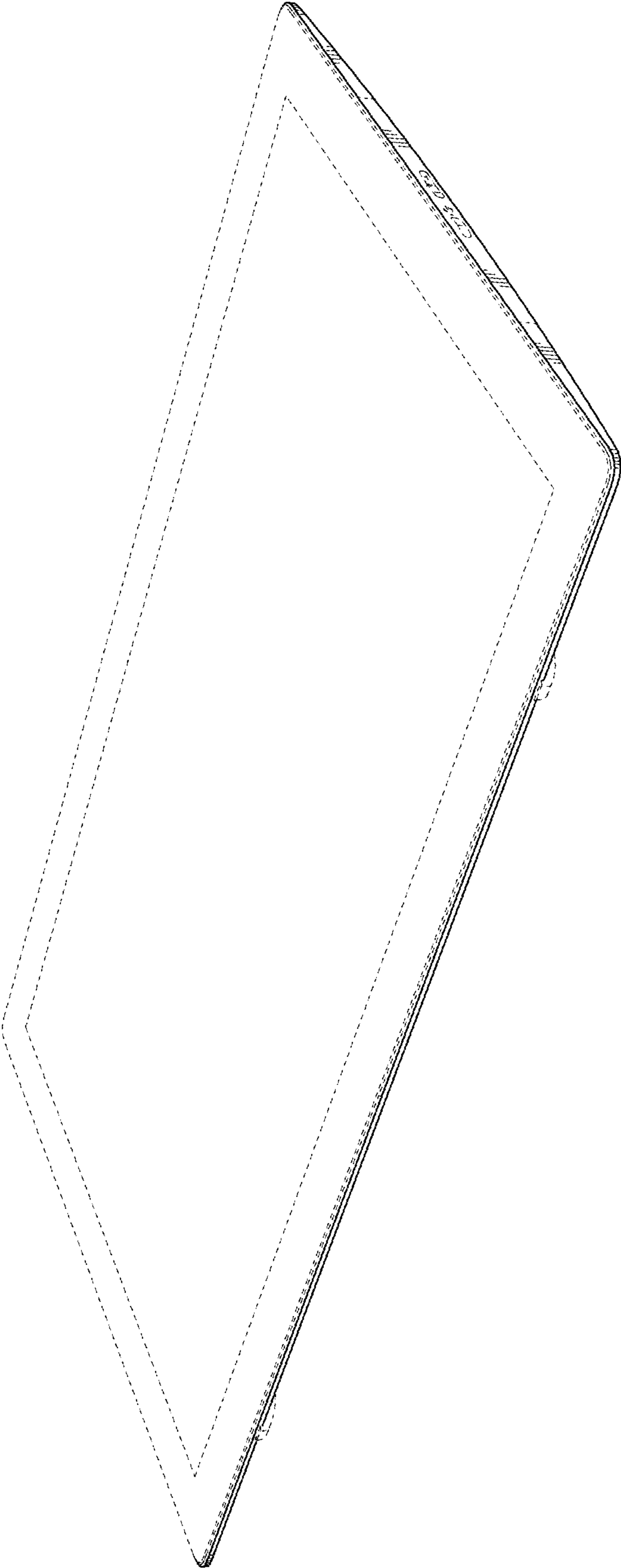


Fig. 7



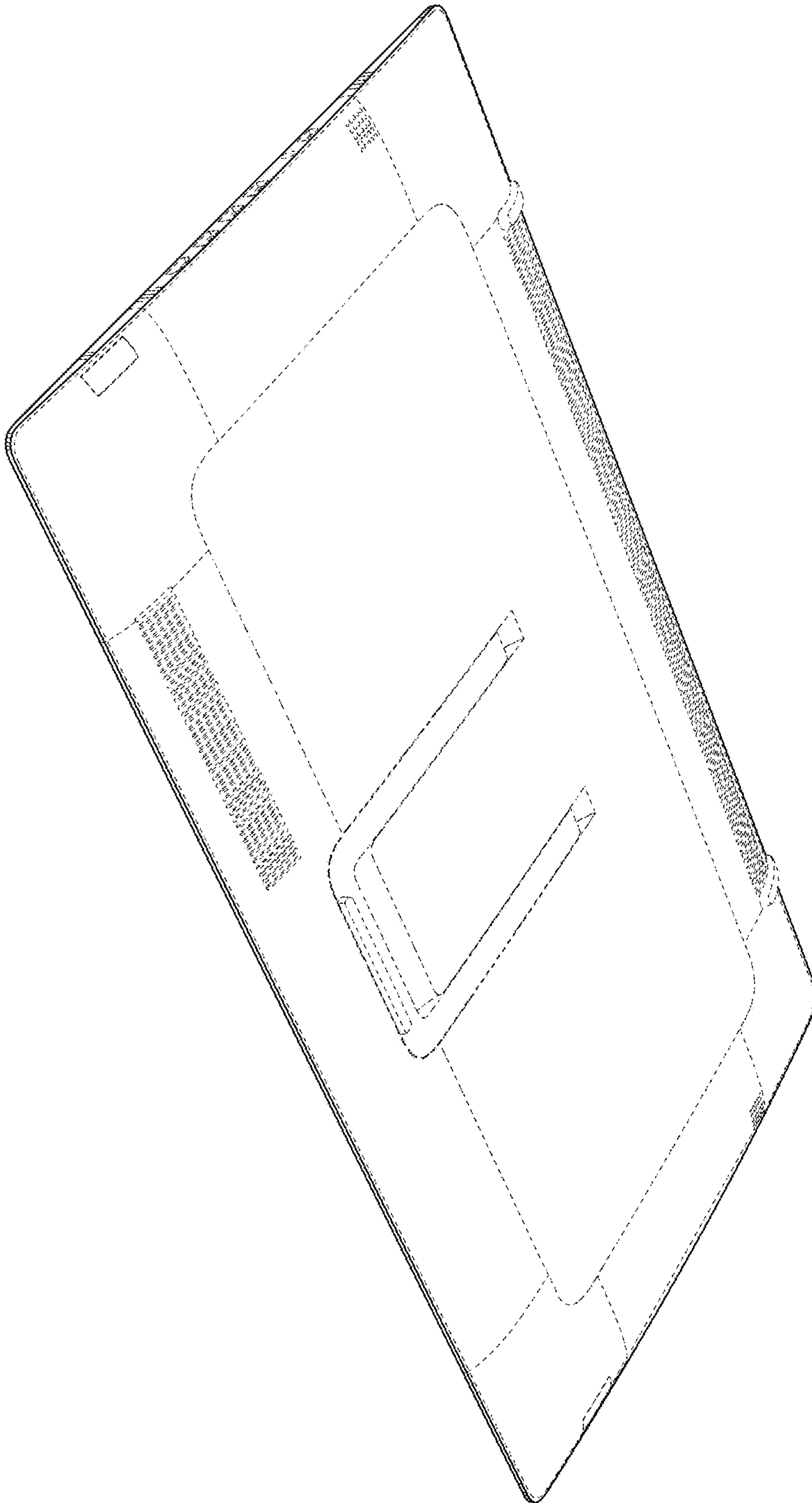


Fig.8



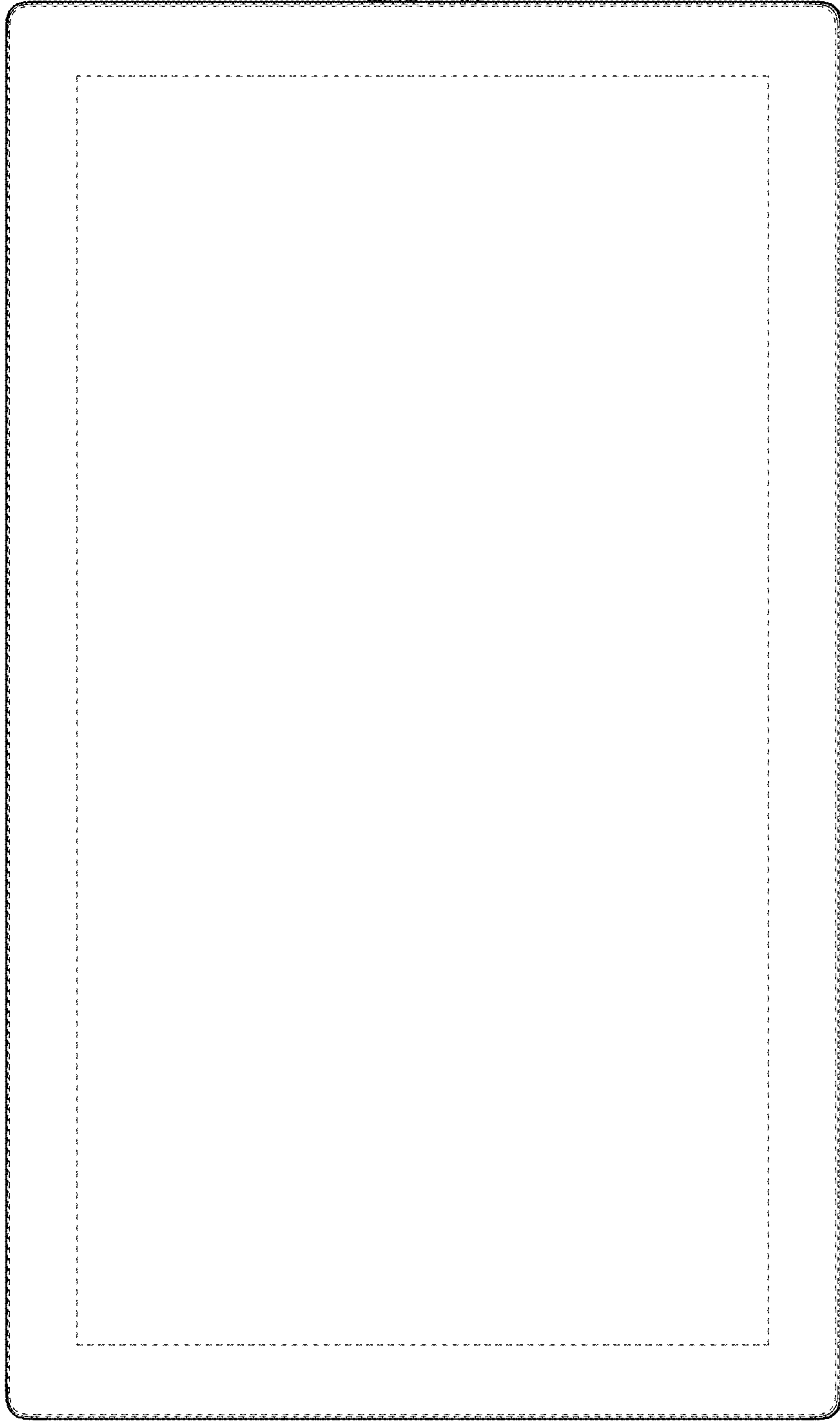


Fig.9

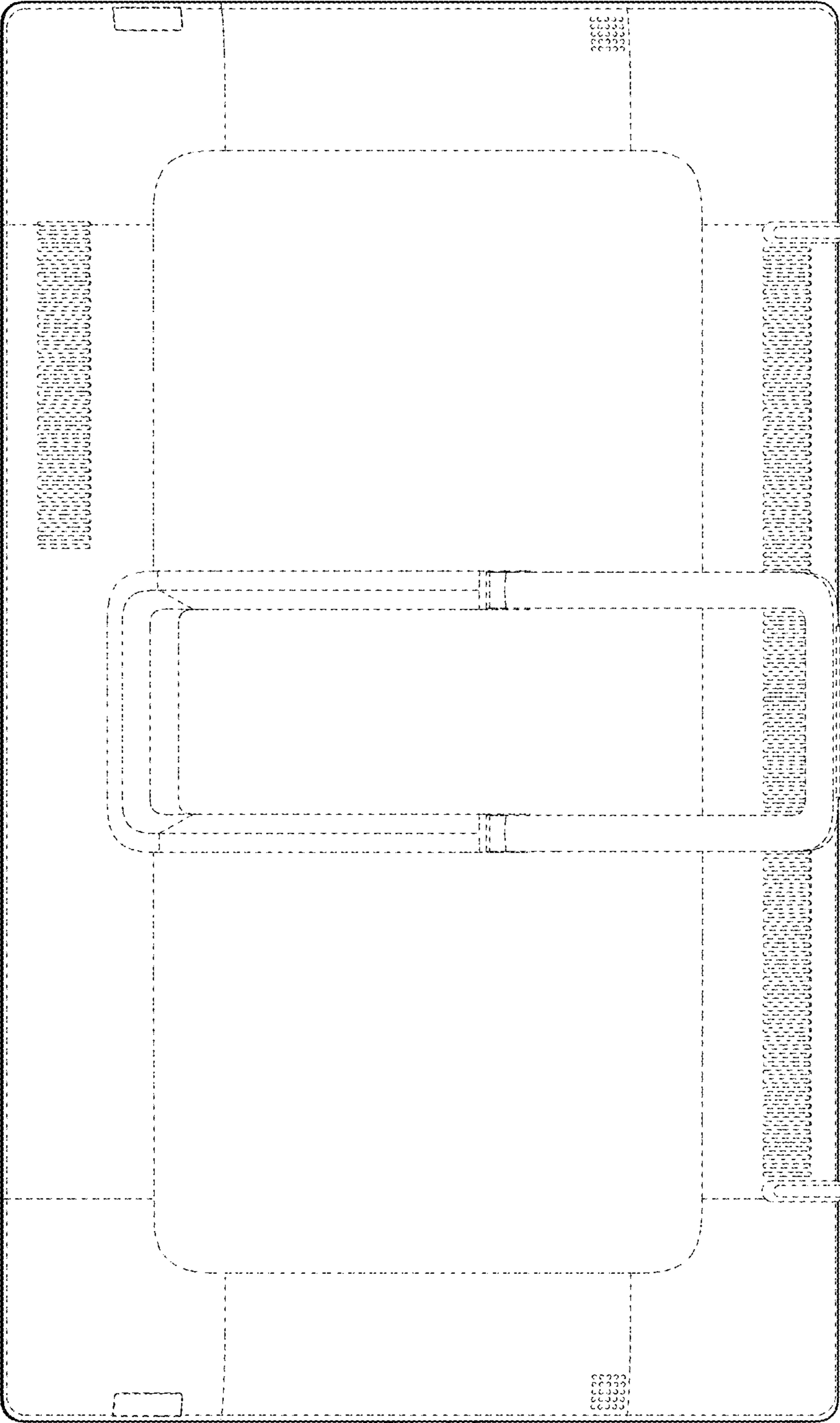


Fig.10

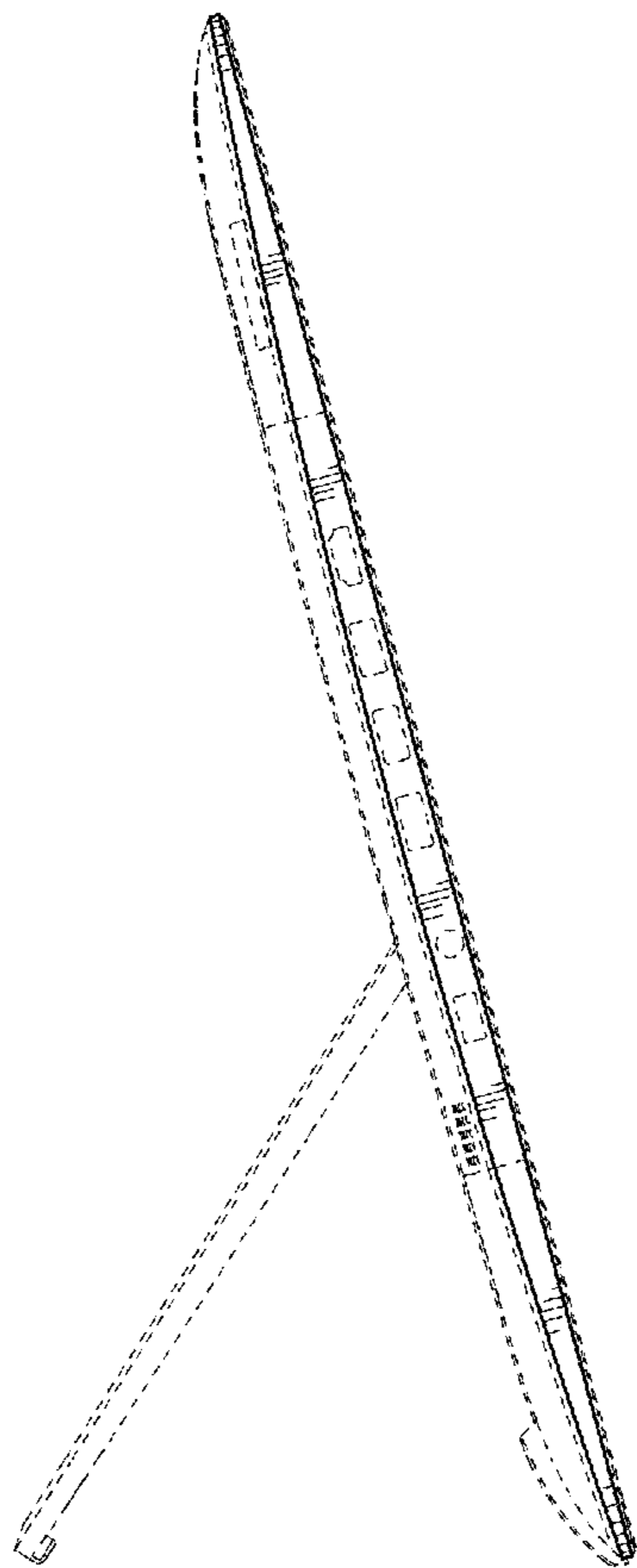


Fig.11

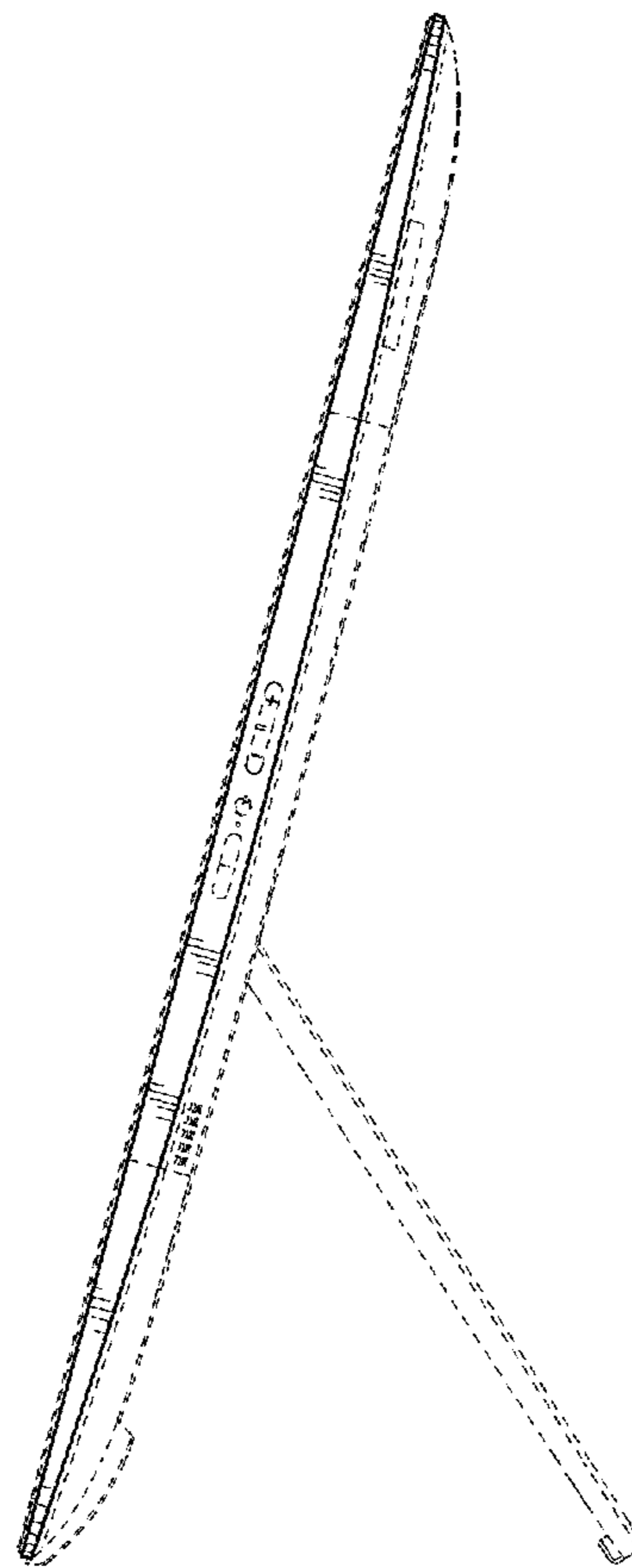


Fig.12

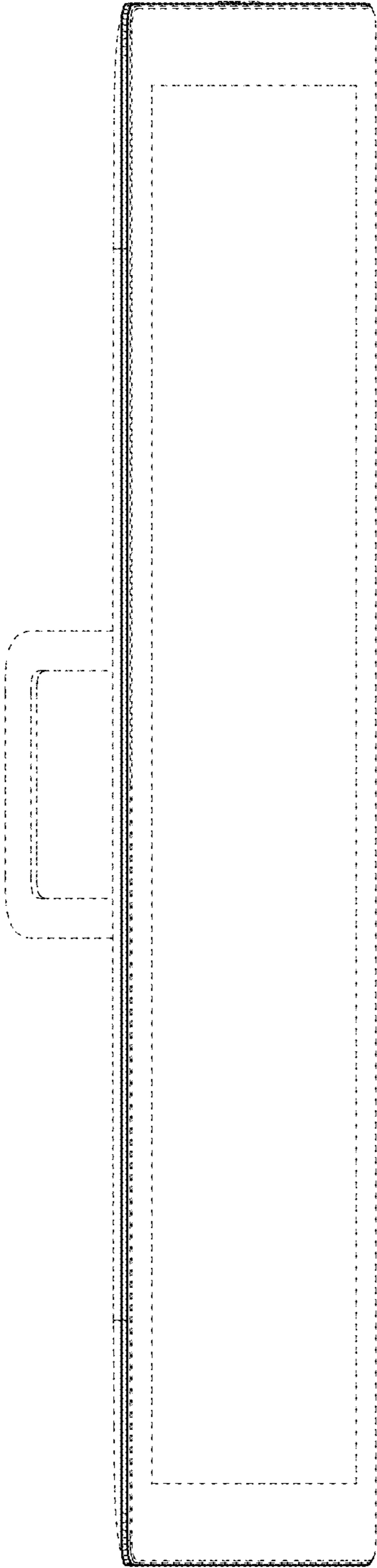


Fig. 13

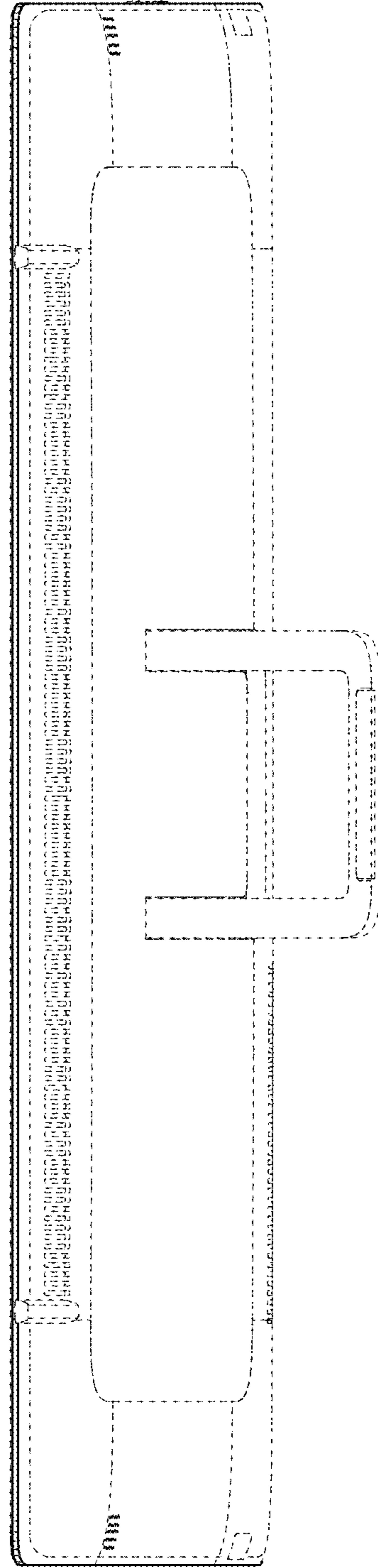


Fig. 14

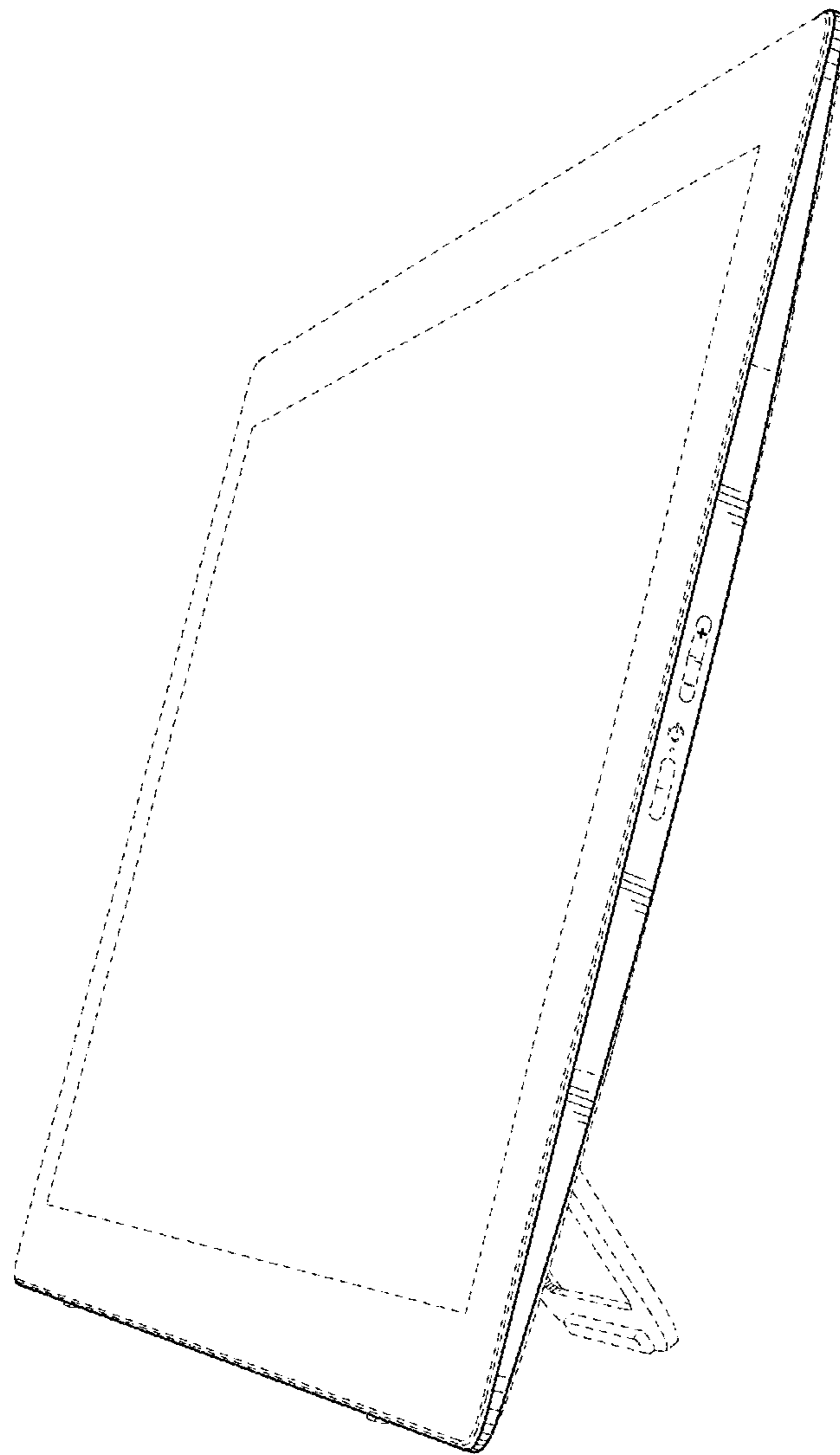


Fig.15

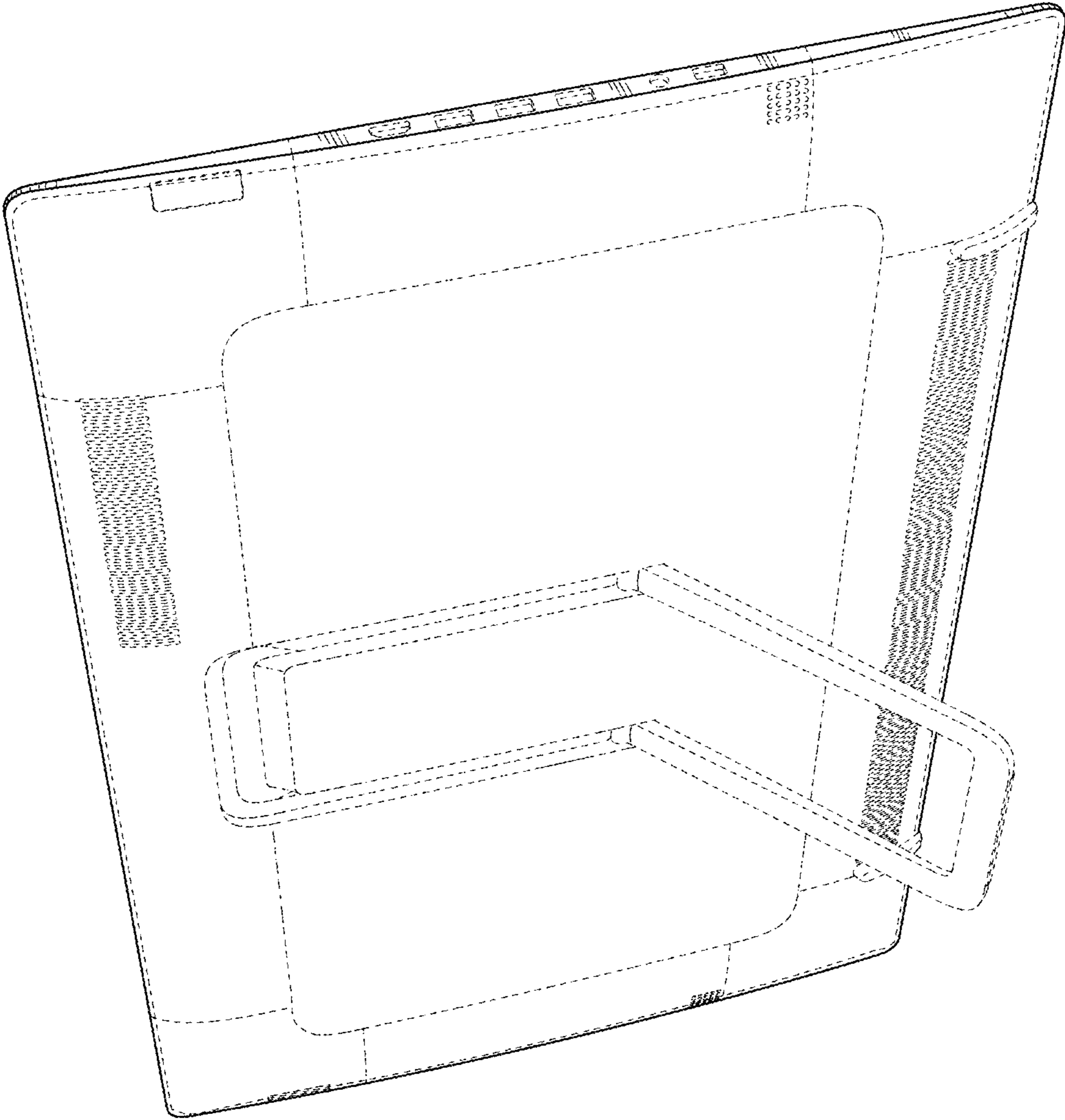


Fig.16