



US00D784978S

(12) **United States Design Patent**
Hobbs et al.

(10) **Patent No.:** **US D784,978 S**
(45) **Date of Patent:** **** Apr. 25, 2017**

(54) **COMMUNICATIONS DEVICE MOUNTING ASSEMBLY**

1/04; H04M 1/11; H04M 1/12; A47F 7/022; B62J 11/00; H05K 7/00; G03B 17/56

(71) Applicant: **Thru2Market Solutions (HK) Limited**, Shatin (HK)

See application file for complete search history.

(72) Inventors: **Adam Hobbs**, Redfern (AU); **Robert Tiller**, Balmain (AU)

(56) **References Cited**

(73) Assignee: **Thru2Market Solutions (HK) Limited**, Shatin (HK)

U.S. PATENT DOCUMENTS

(**) Term: **15 Years**

D692,898	S	*	11/2013	Luijben	D14/447
D696,259	S	*	12/2013	Howarth	D14/447
D704,199	S	*	5/2014	Byun	D14/447
D709,066	S	*	7/2014	Byun	D14/253
D748,615	S	*	2/2016	Lee	D14/251
D749,596	S	*	2/2016	Khodapanah	D14/447
D765,549	S	*	9/2016	Khodapanah	D12/114
D769,859	S	*	10/2016	Herbst	D14/253
2016/0082893	A1	*	3/2016	Ormsbee	B60R 11/0241 224/558

(21) Appl. No.: **29/567,630**

(22) Filed: **Jun. 10, 2016**

* cited by examiner

(30) **Foreign Application Priority Data**

Dec. 10, 2015 (AU) 201516712

Primary Examiner — Susan Bennett Hattan

(51) **LOC (10) Cl.** **14-03**

Assistant Examiner — Janice Hallmark

(52) **U.S. Cl.**
USPC **D14/253**

(74) *Attorney, Agent, or Firm* — Banner & Witcoff, Ltd.

(58) **Field of Classification Search**

(57) **CLAIM**

USPC D14/253, 251, 252, 447, 451, 452, 440, D14/434, 458, 432, 439, 457, 460, 238.1, D14/140, 142, 149, 217, 148, 140.8, D14/140.11, 209.1, 151, 140.9, 250, 238; D13/107, 108; D12/415, 223, 114, 420, D12/417, 407, 177; D3/218; D16/242-245, 250, 237, 203, 214, 219; D8/349; D6/675, 672, 673, 675.4, 553, D6/676, 310, 406.3, 406.4, 406.5, 406.6, D6/407, 567, 300, 682.3, 396; 248/459, 248/460; 224/483

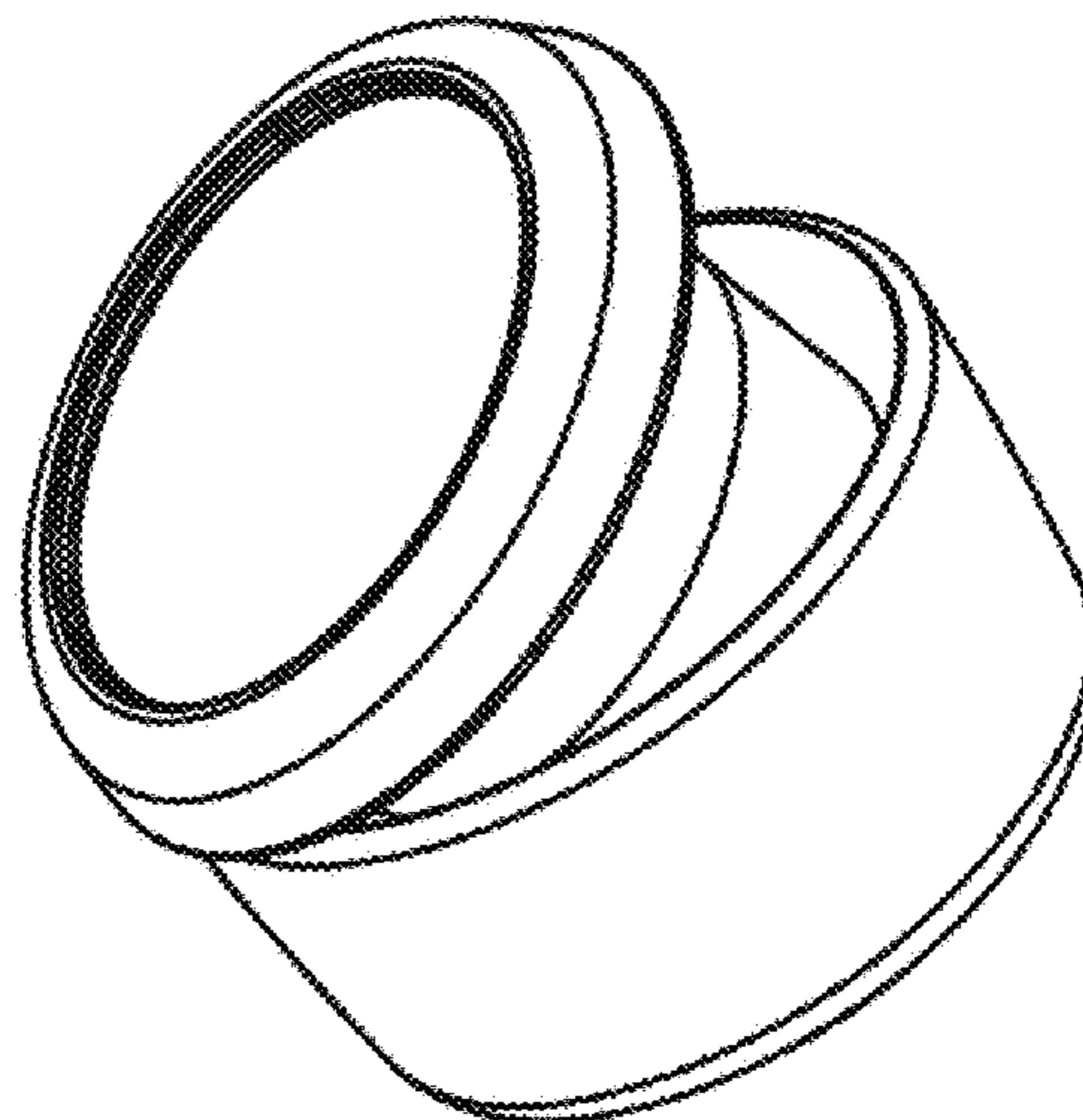
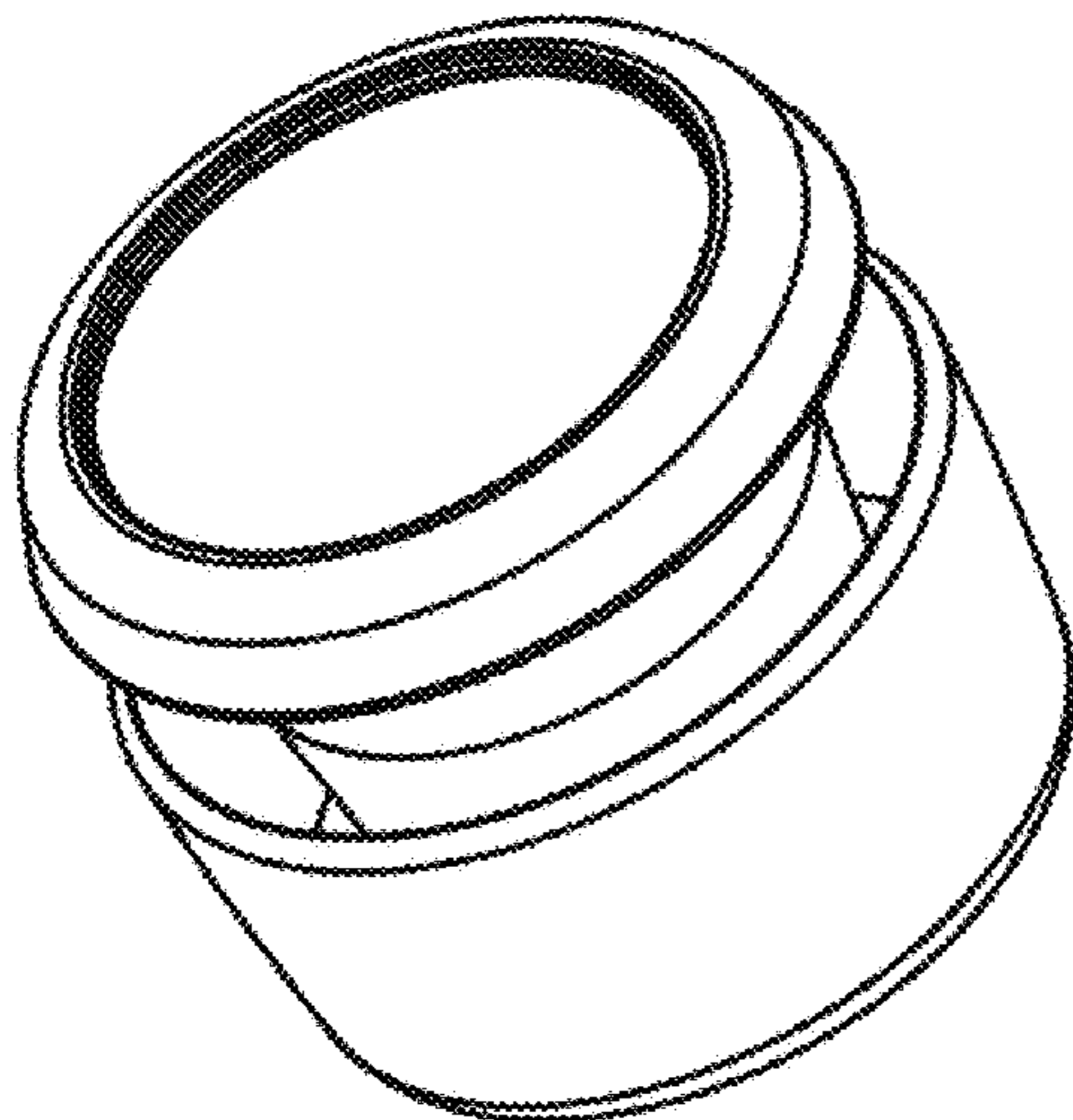
The ornamental design for a communications device mounting assembly, as shown and described.

CPC B60R 2011/0008; B60R 11/02; B60R 11/0241; B60R 11/0258; B60R 11/0252; B60R 2011/0294; F16M 11/00; F16M 11/04; F16M 11/041; F16M 11/02; F16M 11/06; F16M 13/00; H04M 1/02; H04M

DESCRIPTION

FIG. 1 is a top, front, right perspective view of a communications device mounting assembly showing our new design;
FIG. 2 is a top, front, right perspective view thereof in an alternate configuration;
FIG. 3 is a front side view thereof;
FIG. 4 is a right view thereof;
FIG. 5 is a rear side view thereof;
FIG. 6 is a left view thereof;
FIG. 7 is a top view thereof; and,
FIG. 8 is a bottom view thereof.

1 Claim, 1 Drawing Sheet



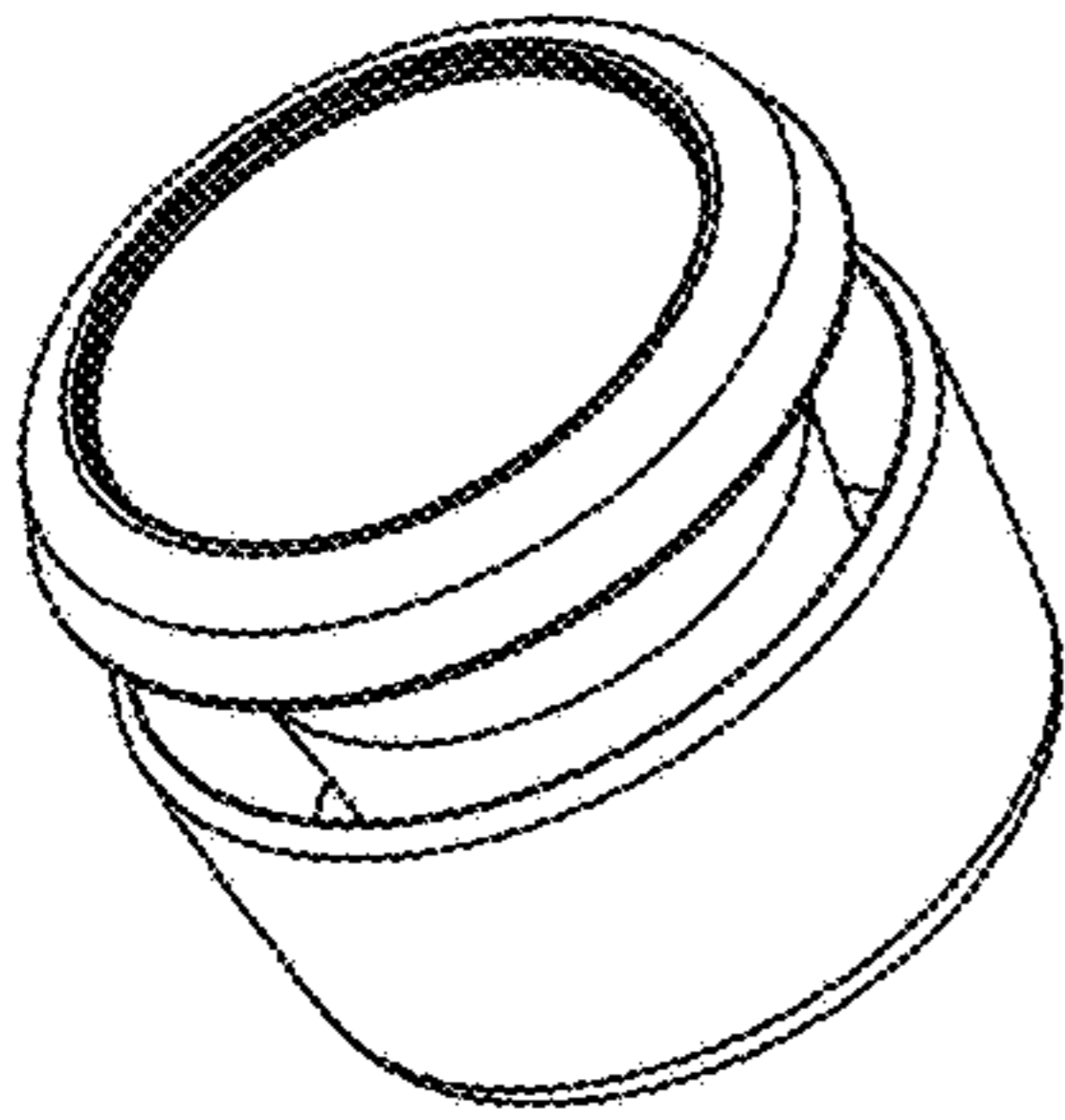


FIG. 1

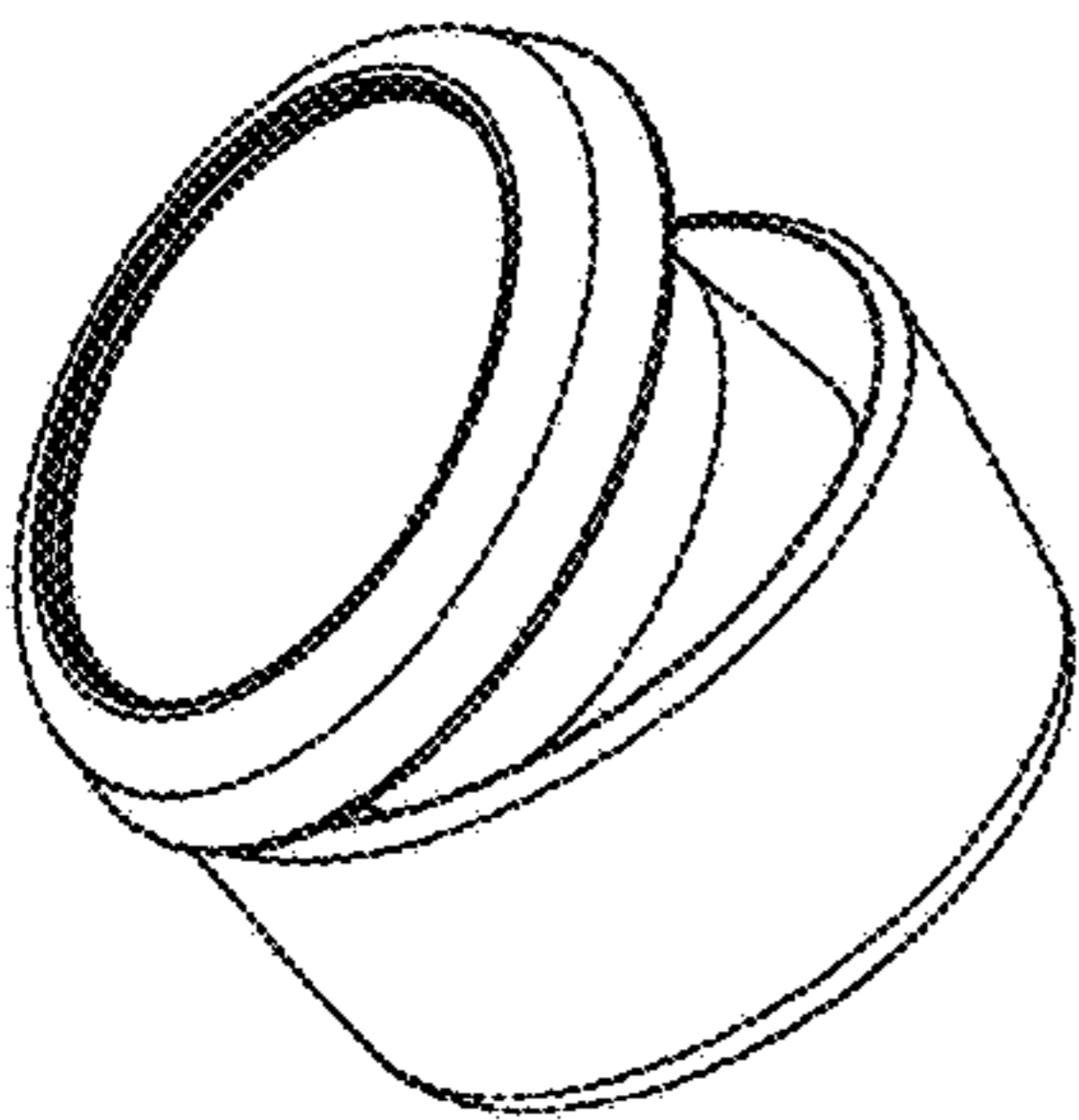


FIG. 2

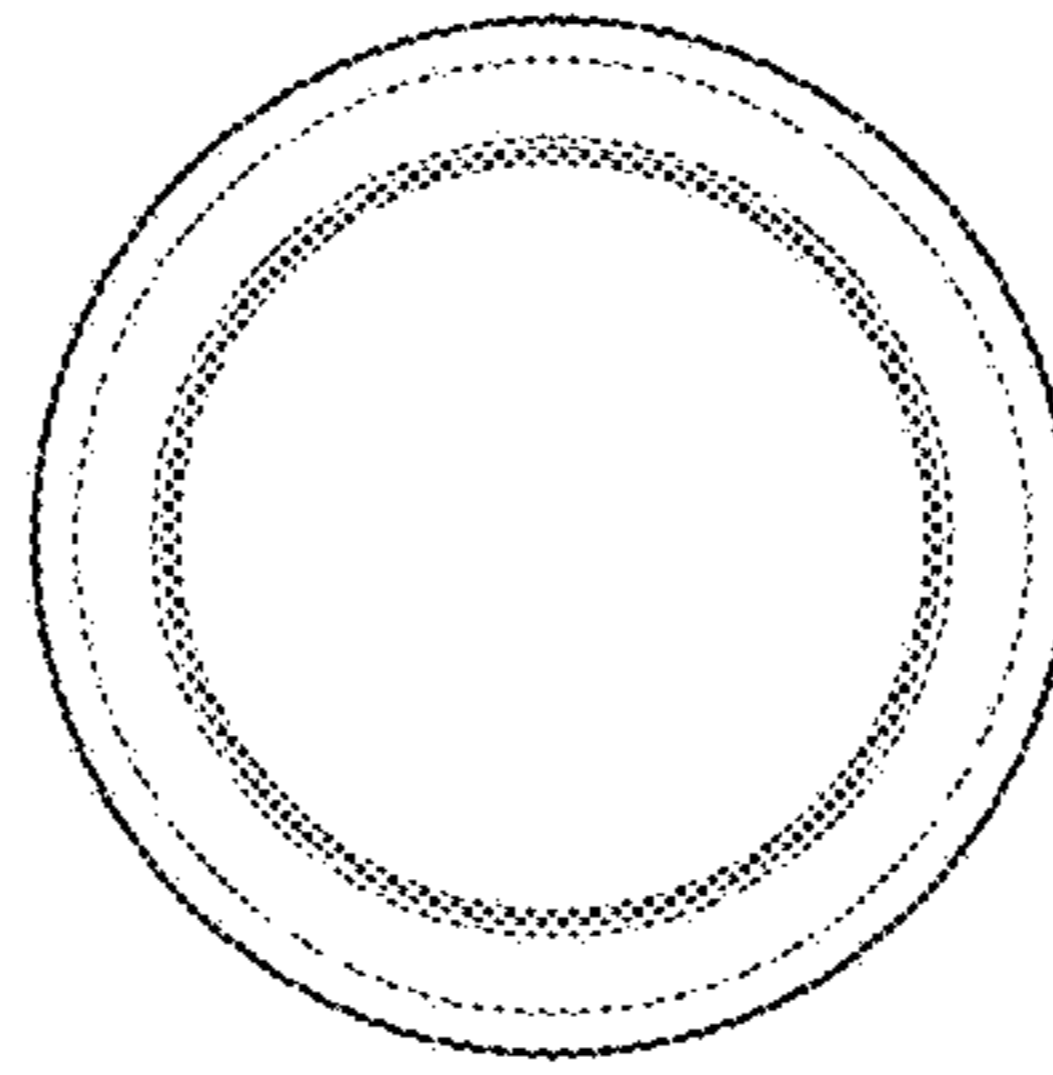


FIG. 8

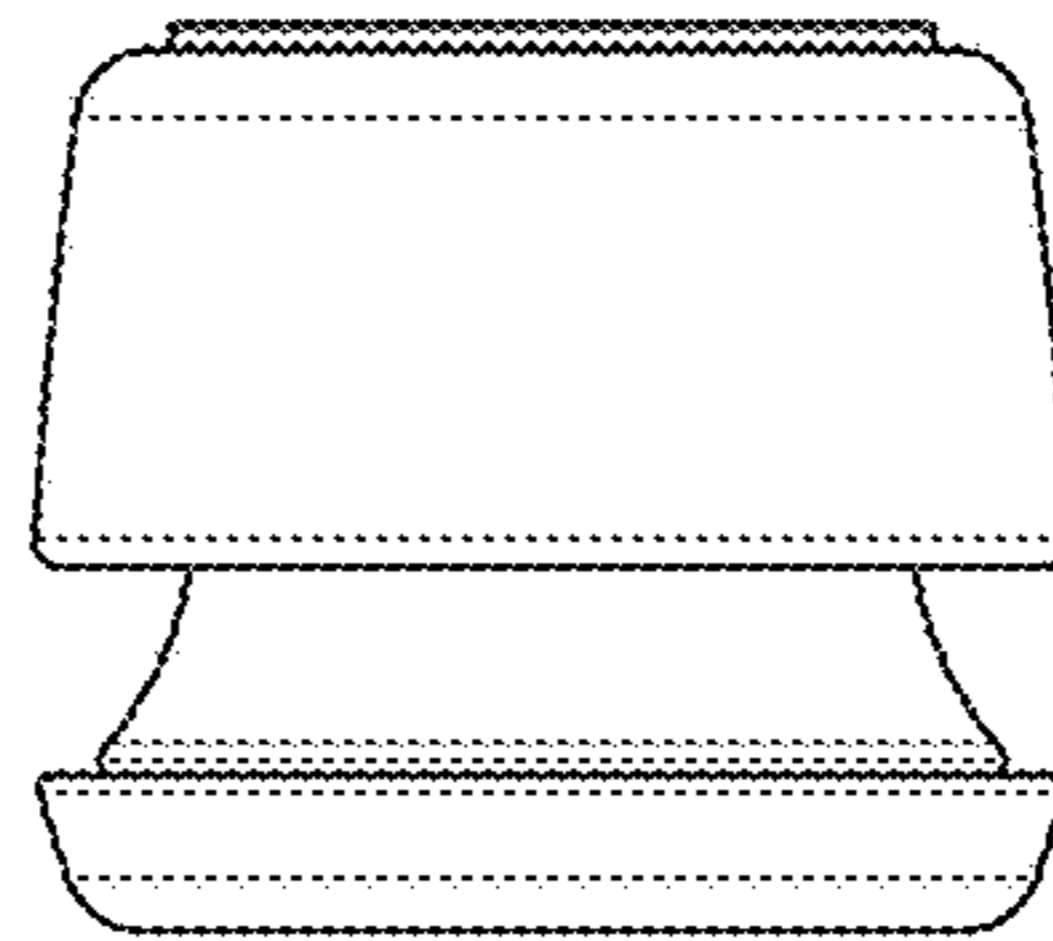


FIG. 5

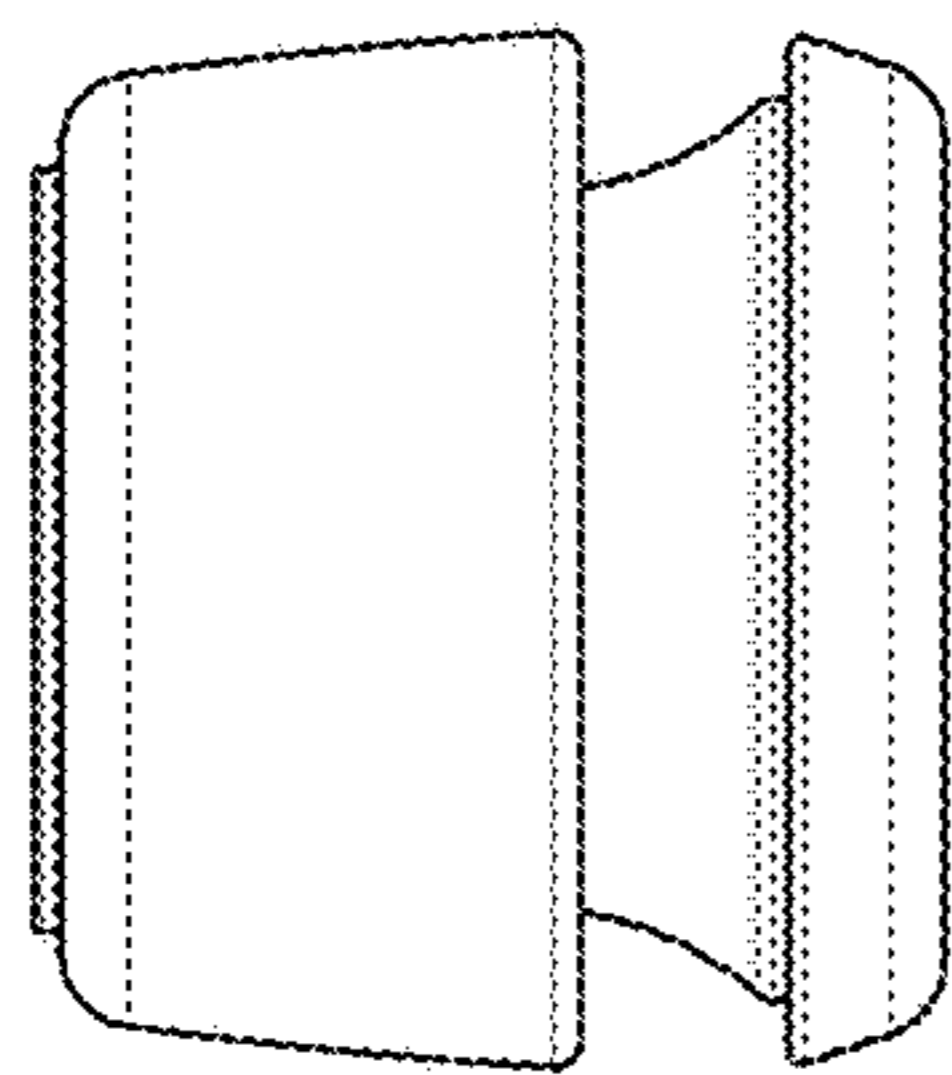


FIG. 6

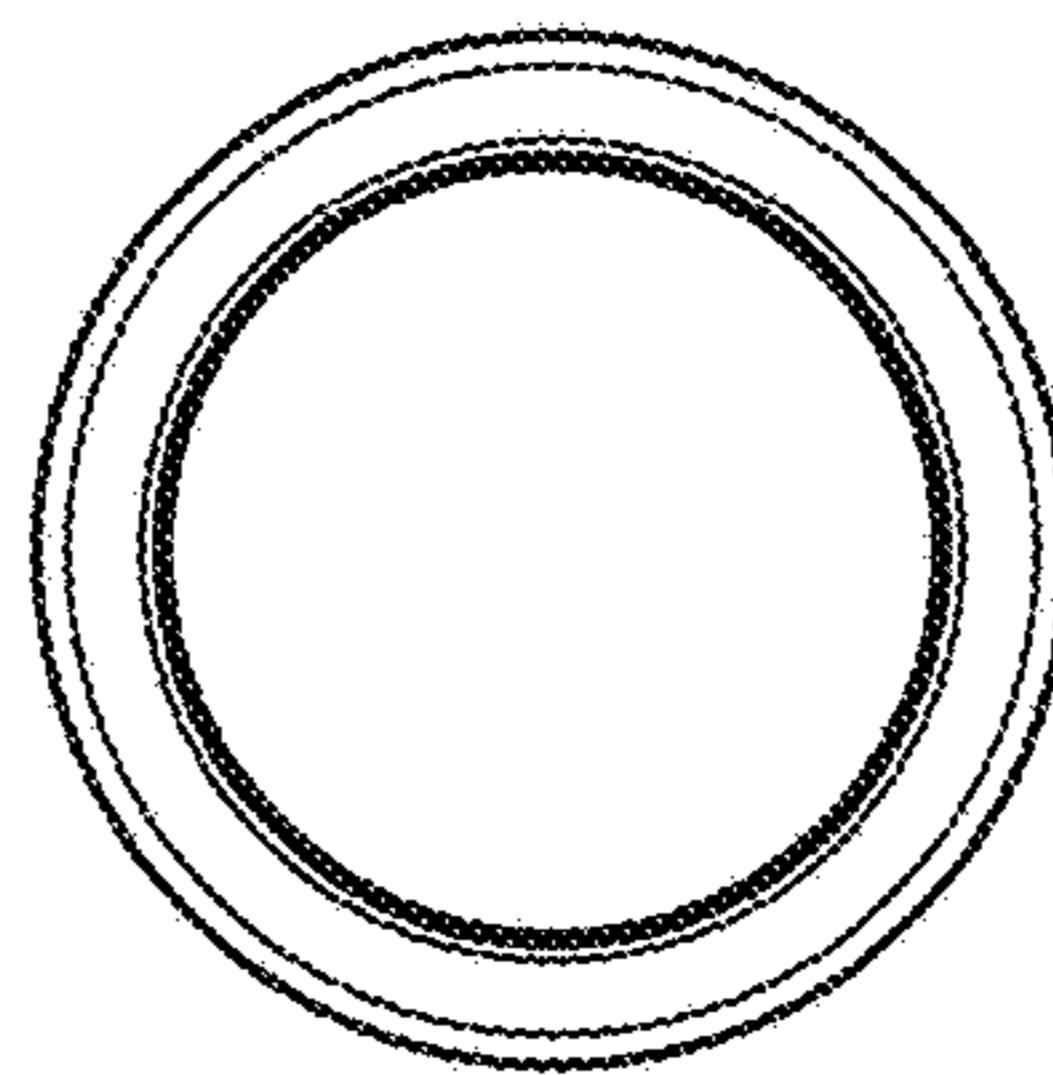


FIG. 7

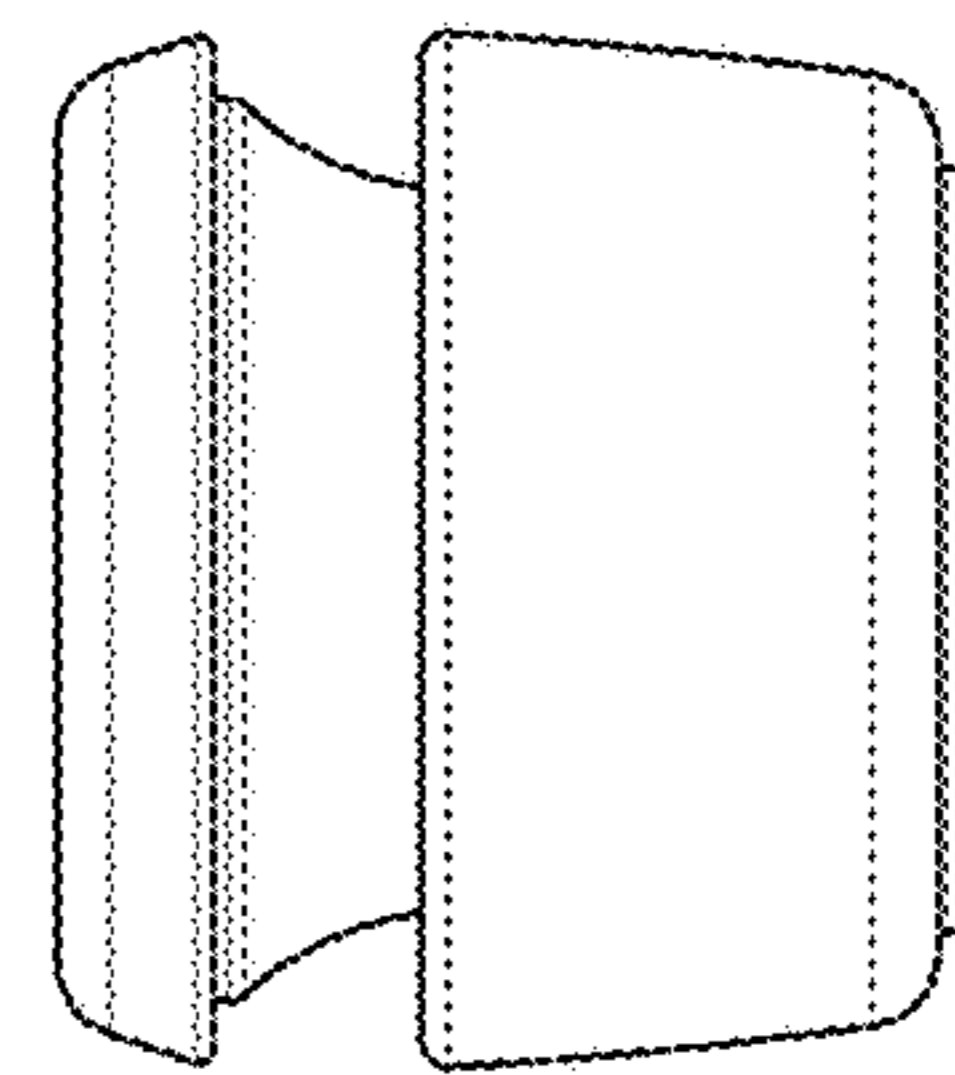


FIG. 4

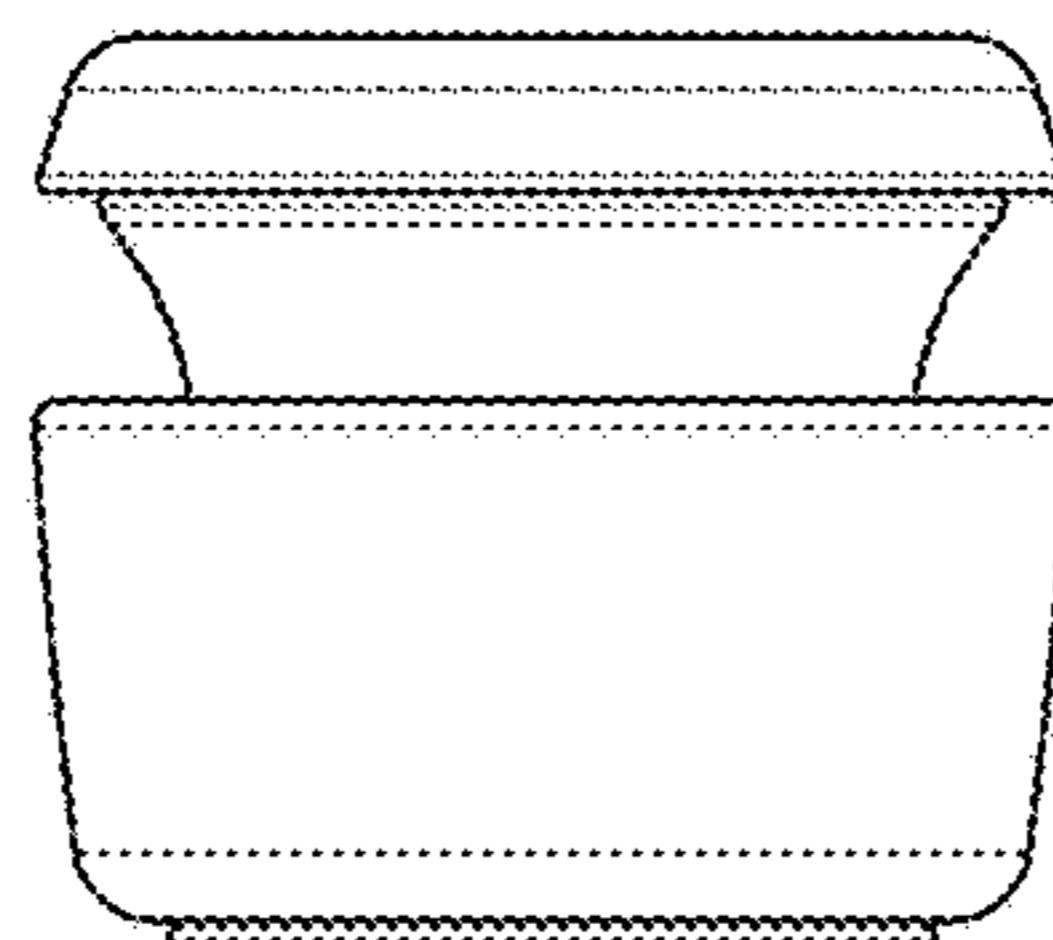


FIG. 3