



US00D784969S

(12) **United States Design Patent**
MacManus

(10) **Patent No.:** **US D784,969 S**

(45) **Date of Patent:** **** Apr. 25, 2017**

(54) **MICRO BASE STATION**

(71) Applicant: **Gerard MacManus**, Tewksbury, MA
(US)

(72) Inventor: **Gerard MacManus**, Tewksbury, MA
(US)

(73) Assignee: **AltioStar Networks, Inc.**, Tewksbury,
MA (US)

(**) Term: **15 Years**

(21) Appl. No.: **29/534,848**

(22) Filed: **Jul. 31, 2015**

(51) **LOC (10) Cl.** **14-03**

(52) **U.S. Cl.**

USPC **D14/240; D14/358**

(58) **Field of Classification Search**

USPC ... D14/356, 357, 358, 496, 137, 140, 140.1,
D14/155, 225, 226, 230, 240, 242, 243,
D14/299, 300; D13/107, 108, 168, 171,
D13/173, 174, 184, 199; D10/46, 104.1,
D10/106.1, 106.2, 106.3, 106.6, 106.9

CPC . H04W 84/04; H04W 84/045; H04W 84/047;
H04W 84/06; H04W 84/08; H04W 88/00;
H04W 88/005; H04W 88/08; H04W
88/10; H04W 88/12; H04W 88/085

See application file for complete search history.

(56) **References Cited**

U.S. PATENT DOCUMENTS

D245,079 S * 7/1977 Judd D14/137
D314,770 S * 2/1991 Desbarats D14/140.2
5,029,958 A * 7/1991 Hodge G02B 6/4201
385/100
D346,172 S * 4/1994 Fields D14/137
D364,618 S * 11/1995 Somoza D14/142
5,521,793 A * 5/1996 Dalgleish H04B 1/38
220/315

D377,652 S * 1/1997 Sarkiniemi D13/184
D387,765 S * 12/1997 Brassard D14/137
D393,644 S * 4/1998 Cho D14/240
5,761,612 A * 6/1998 Read H04B 1/088
455/351
D409,199 S * 5/1999 Taguchi D14/217
5,907,127 A * 5/1999 Daoud H02G 3/14
174/57
D413,898 S * 9/1999 Lohrding D13/147

(Continued)

Primary Examiner — Susan Bennett Hattan

Assistant Examiner — Marie Fast Horse

(74) *Attorney, Agent, or Firm* — Mintz Levin Cohn Ferris
Glovsky and Popeo, P.C.

(57) **CLAIM**

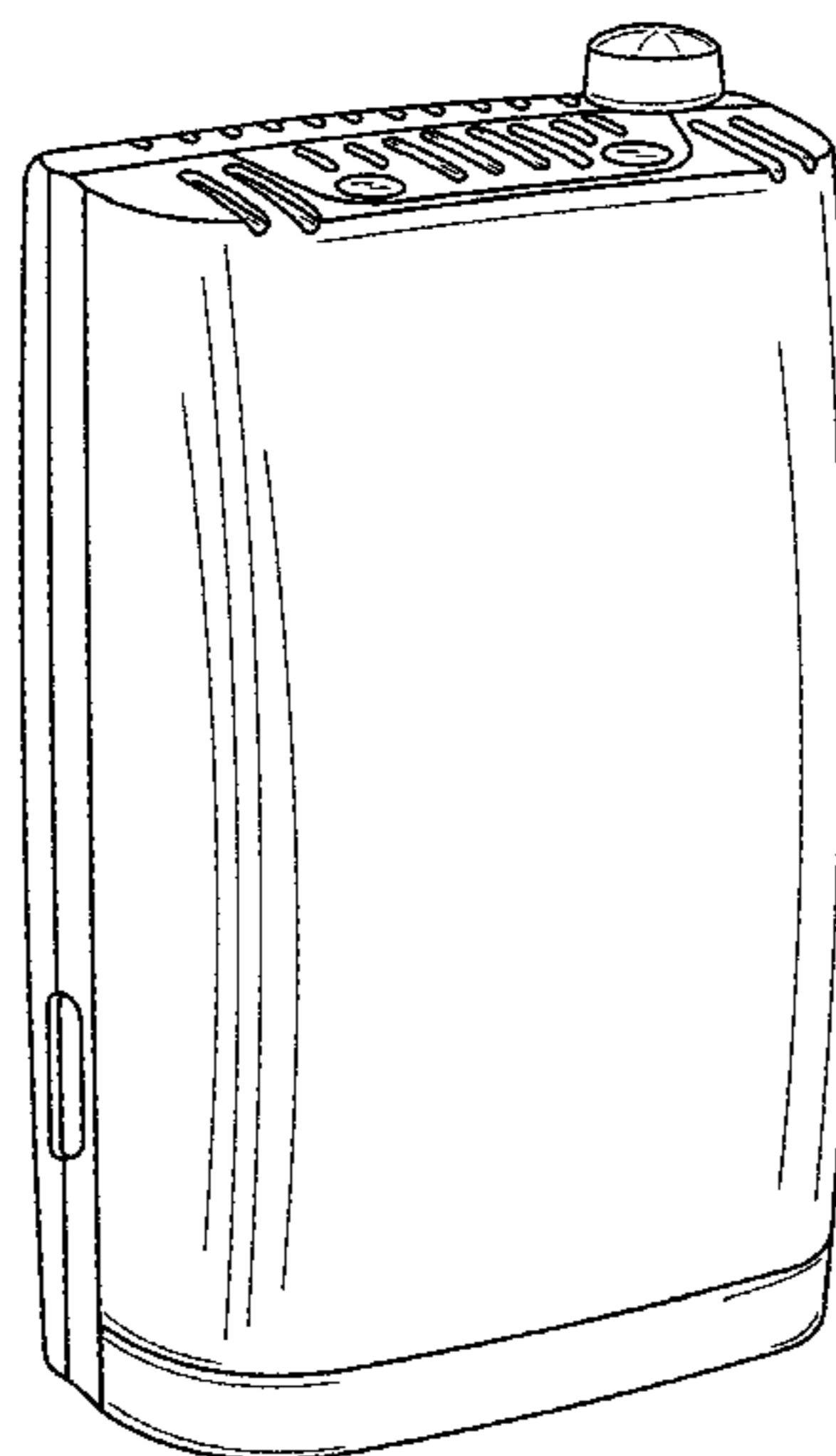
The ornamental design for a micro base station, as shown
and described.

DESCRIPTION

FIG. 1 is a perspective view of a micro base station;
FIG. 2 is a front view of the micro base station;
FIG. 3 is another perspective view of the micro base station;
FIG. 4 is a back view of the micro base station;
FIG. 5 is a top view of the micro base station;
FIG. 6 is bottom view of the micro base station;
FIG. 7 is a side view of the micro base station;
FIG. 8 is another side view of the micro base station;
FIG. 9 is an enlarged, partial top perspective view thereof,
shown with environment; and,
FIG. 10 is another enlarged, partial top perspective view
thereof, shown without environment.

The symbolic break line seen at the lower edge of the
enlarged perspective views of FIGS. 9 and 10 forms no part
of the claim, while the broken lines in FIG. 6 depict portions
of the micro base station that form no part of the claimed
design, and the broken lines in FIG. 9 showing the two
cylindrical antenna depict environment that forms no part of
the claim.

1 Claim, 9 Drawing Sheets



(56)

References Cited

U.S. PATENT DOCUMENTS

D414,774 S * 10/1999 Gauffin D13/184
 D415,769 S * 10/1999 Waldner D13/152
 5,983,076 A * 11/1999 Takasan H01Q 1/3225
 455/41.1
 D418,833 S * 1/2000 Seo D14/137
 D427,180 S * 6/2000 Humes D14/230
 D429,238 S * 8/2000 Kolinen D14/240
 D430,147 S * 8/2000 Willkens D14/137
 D437,311 S * 2/2001 Nam D14/227
 D438,532 S * 3/2001 Gargani D14/240
 D451,896 S * 12/2001 Kim D14/137
 D453,154 S * 1/2002 Åstradsson D14/240
 6,470,193 B1 * 10/2002 Stolt H01P 1/2131
 375/299
 D473,221 S * 4/2003 Gargani D14/240
 D484,496 S * 12/2003 Watanabe D14/240
 D489,070 S * 4/2004 Chatterjee D14/240
 D489,369 S * 5/2004 Sasaki D14/358
 D499,074 S * 11/2004 Cook D13/179
 D510,332 S * 10/2005 Haase D14/137
 D530,709 S * 10/2006 Bang D14/240
 D540,764 S * 4/2007 Kaner D14/137
 D567,808 S * 4/2008 Kanne D14/240
 D569,358 S * 5/2008 Devenish, III D14/137
 D580,437 S * 11/2008 Kiyomiya D14/358
 D586,339 S * 2/2009 Varsavsky
 Waisman-Diamond D14/240

D587,708 S * 3/2009 Yoshida D14/358
 D602,892 S * 10/2009 Devenish, III D14/137
 D616,425 S * 5/2010 Hsia D14/240
 D616,426 S * 5/2010 Ju D14/240
 D632,283 S * 2/2011 Cheng D14/225
 D638,827 S * 5/2011 Daniel D14/240
 D651,200 S * 12/2011 Sugime D14/140.6
 D651,997 S * 1/2012 Oikawa D14/137
 D655,280 S * 3/2012 MacManus D14/140.1
 D664,257 S * 7/2012 Patil D24/186
 D714,669 S * 10/2014 Weatherford, Jr. D10/104.1
 D717,284 S * 11/2014 Kurosawa D14/240
 D730,333 S * 5/2015 Matsumoto D14/240
 D731,470 S * 6/2015 Terasawa D14/240
 D738,869 S * 9/2015 Groener D14/240
 9,142,873 B1 * 9/2015 Bharghavan H01Q 1/084
 D742,864 S * 11/2015 Kurosawa D14/240
 D749,065 S * 2/2016 Zetsu D14/242
 D752,537 S * 3/2016 Oikawa D14/137
 D759,639 S * 6/2016 Moon D14/242
 2011/0056067 A1 * 3/2011 Bonnassieux H04W 84/22
 29/592.1
 2014/0043767 A1 * 2/2014 Lv H05K 7/026
 361/704
 2015/0018044 A1 * 1/2015 Sekine H04W 88/085
 455/561
 2015/0214624 A1 * 7/2015 Kwon H01Q 1/243
 455/562.1

* cited by examiner

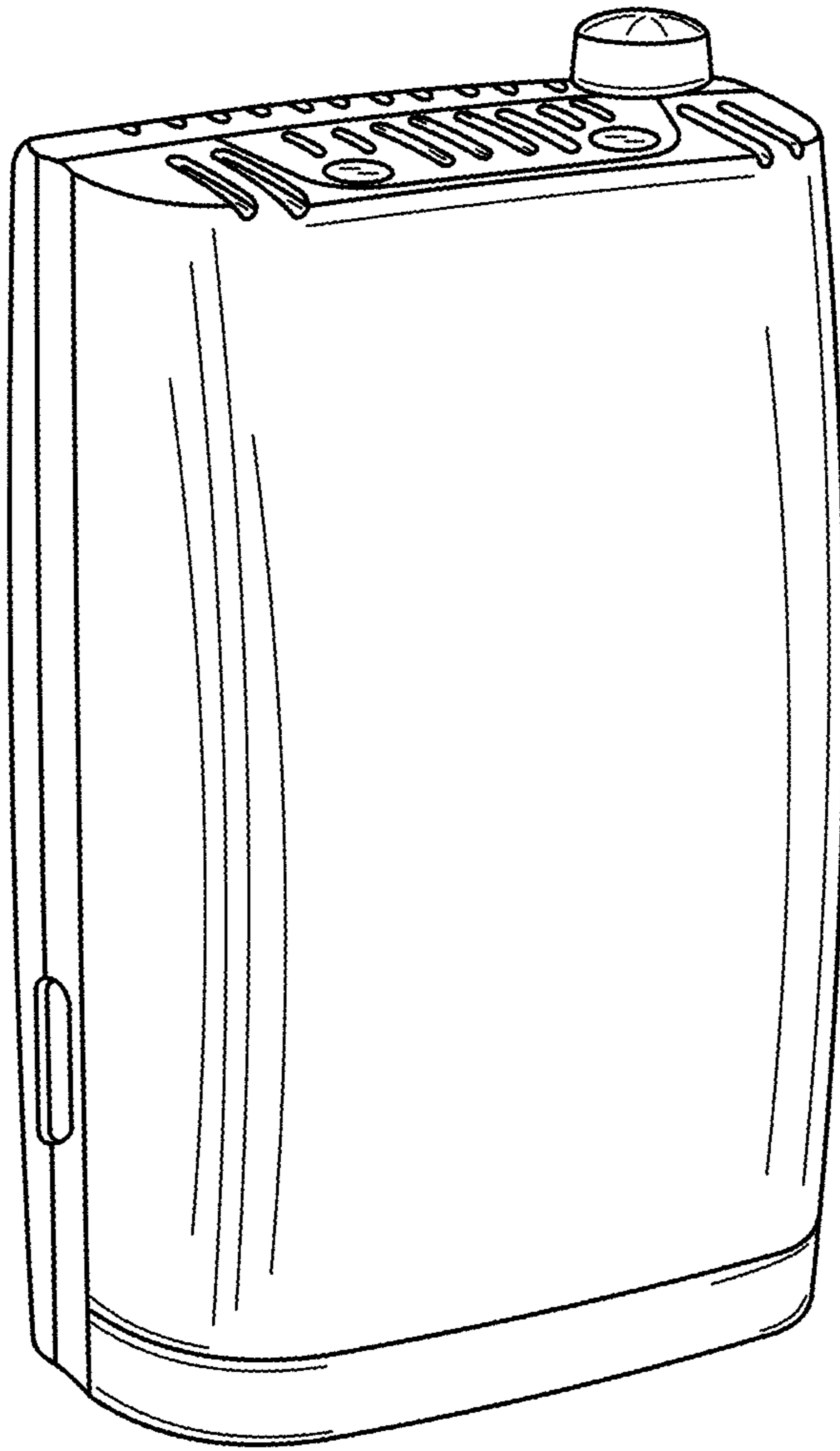


FIG. 1

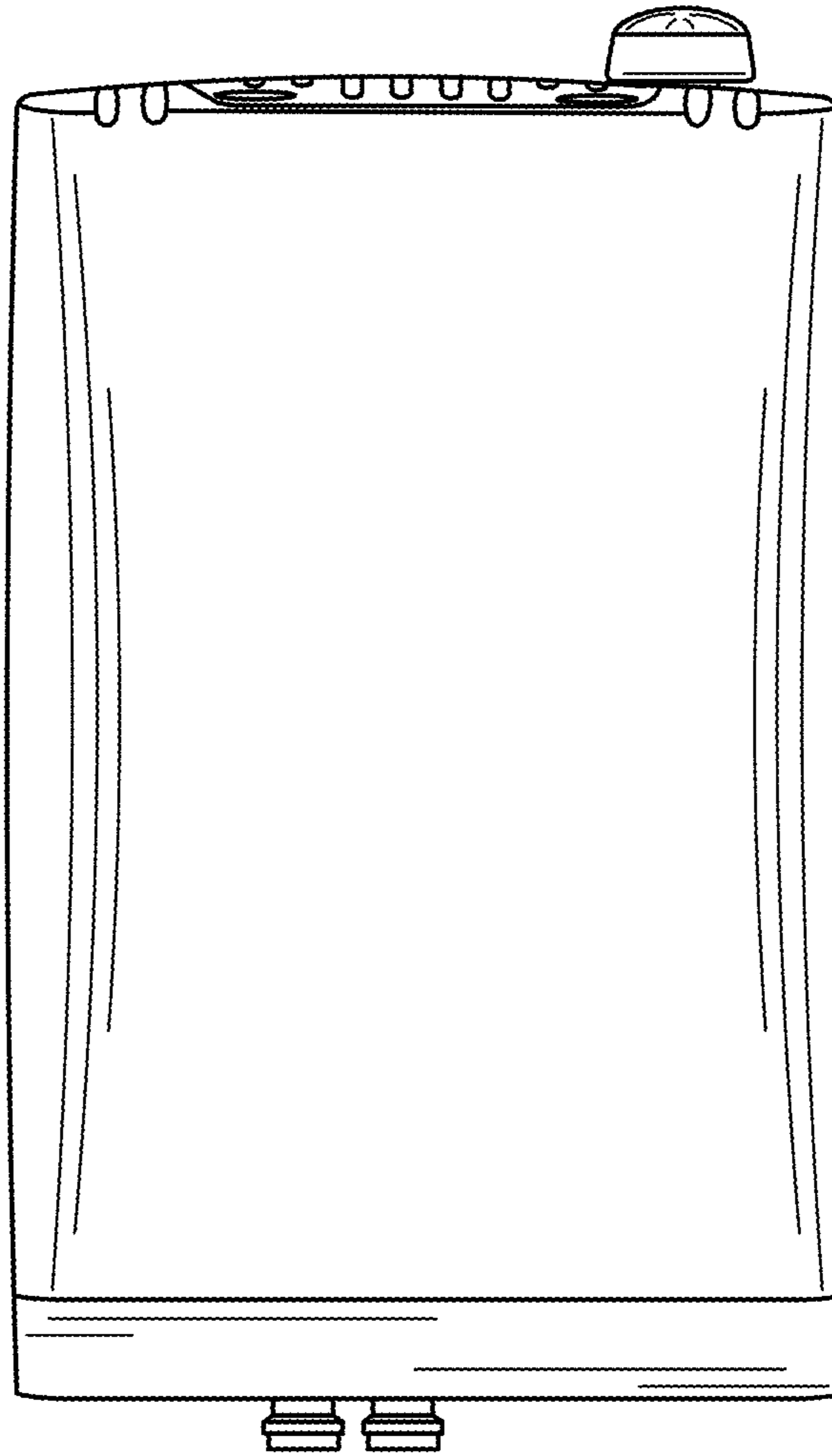


FIG. 2

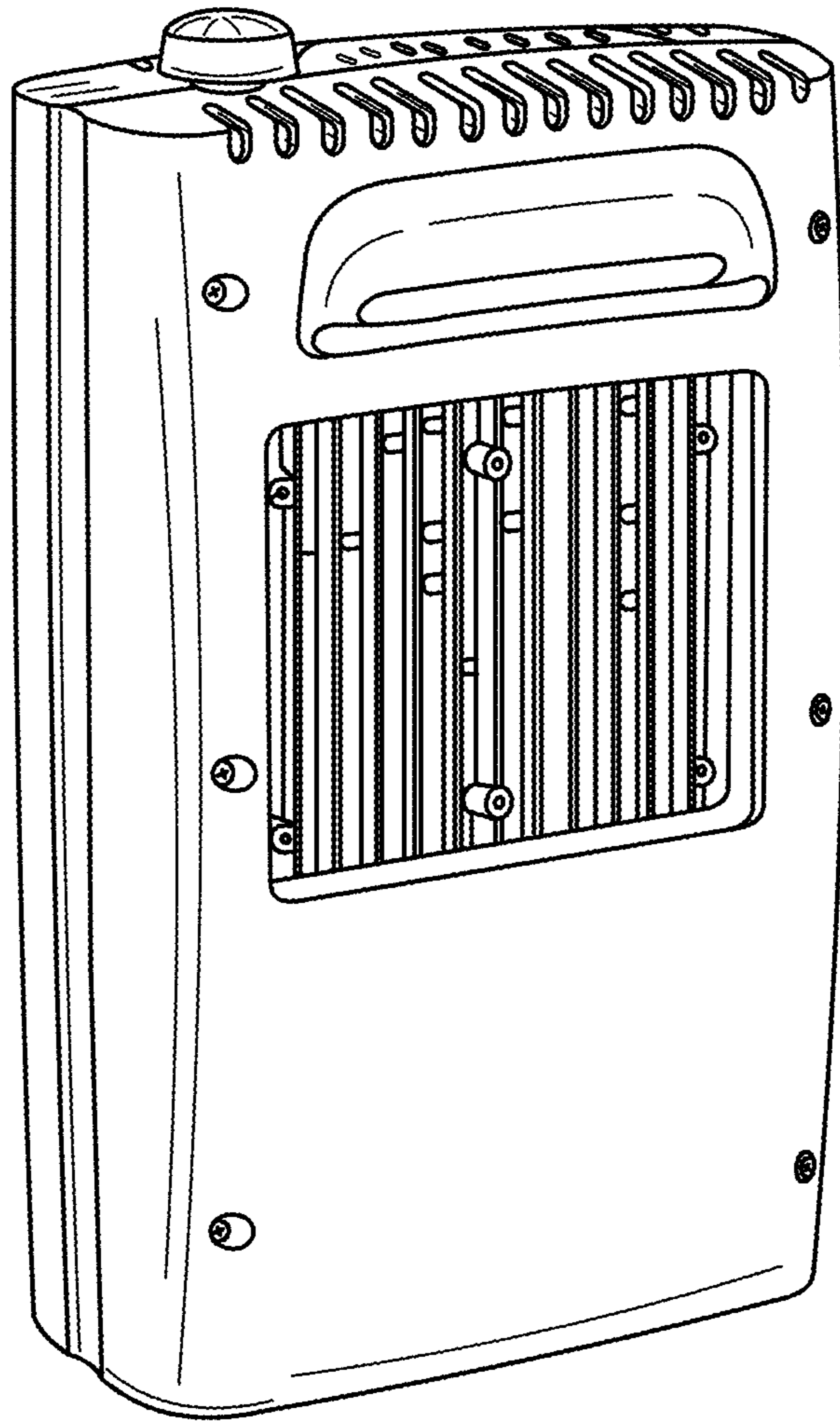


FIG. 3

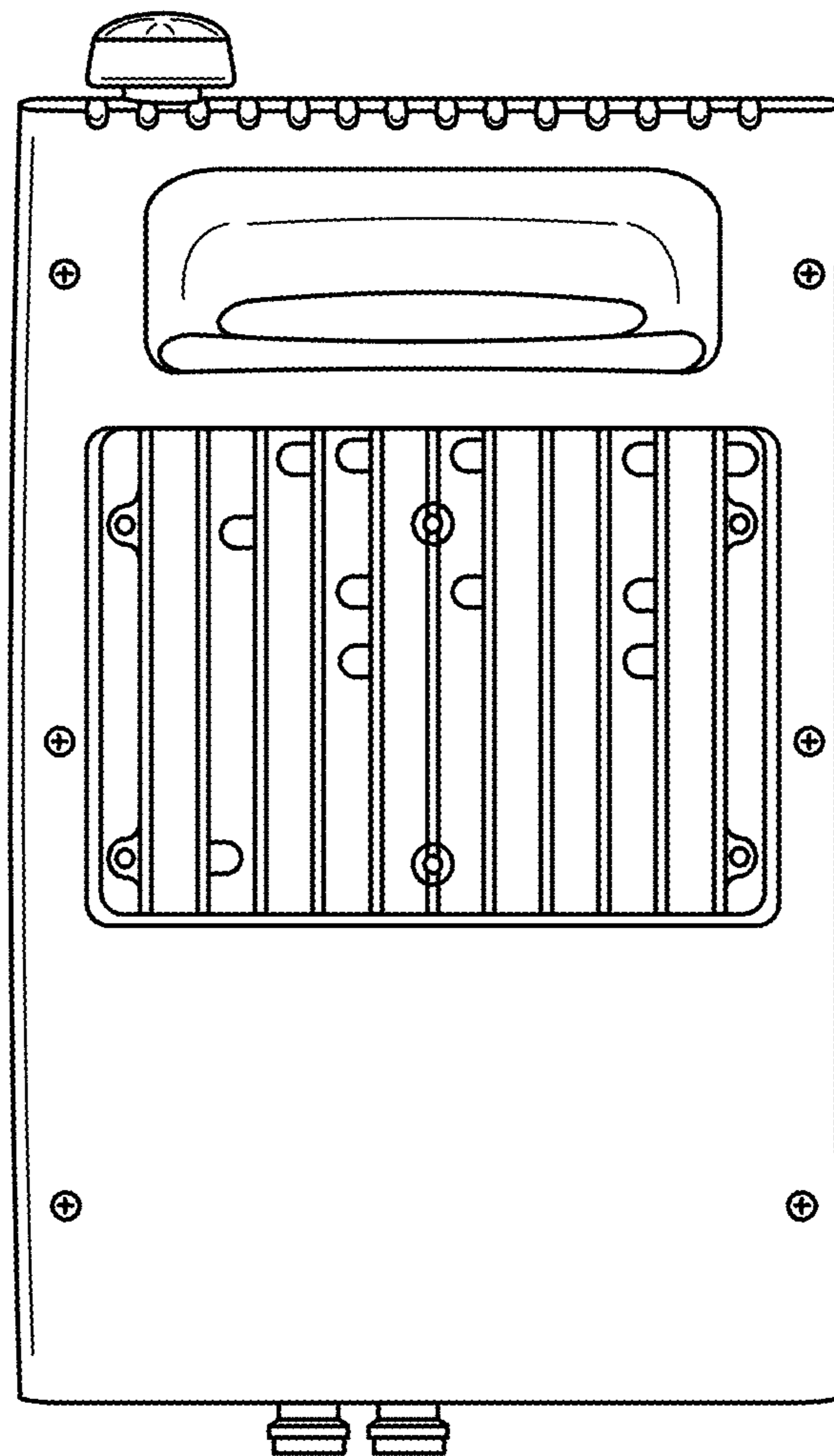


FIG. 4

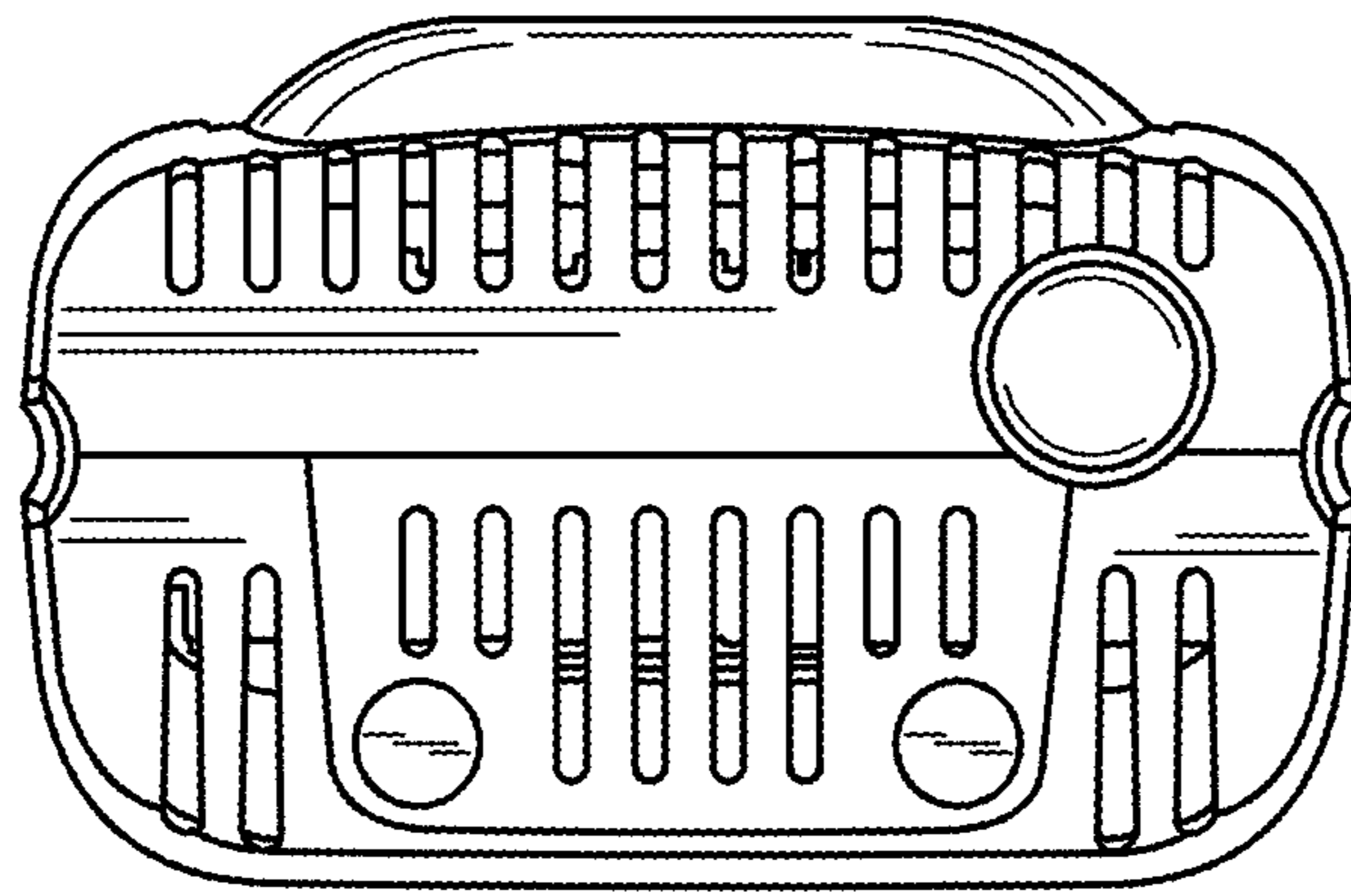


FIG. 5

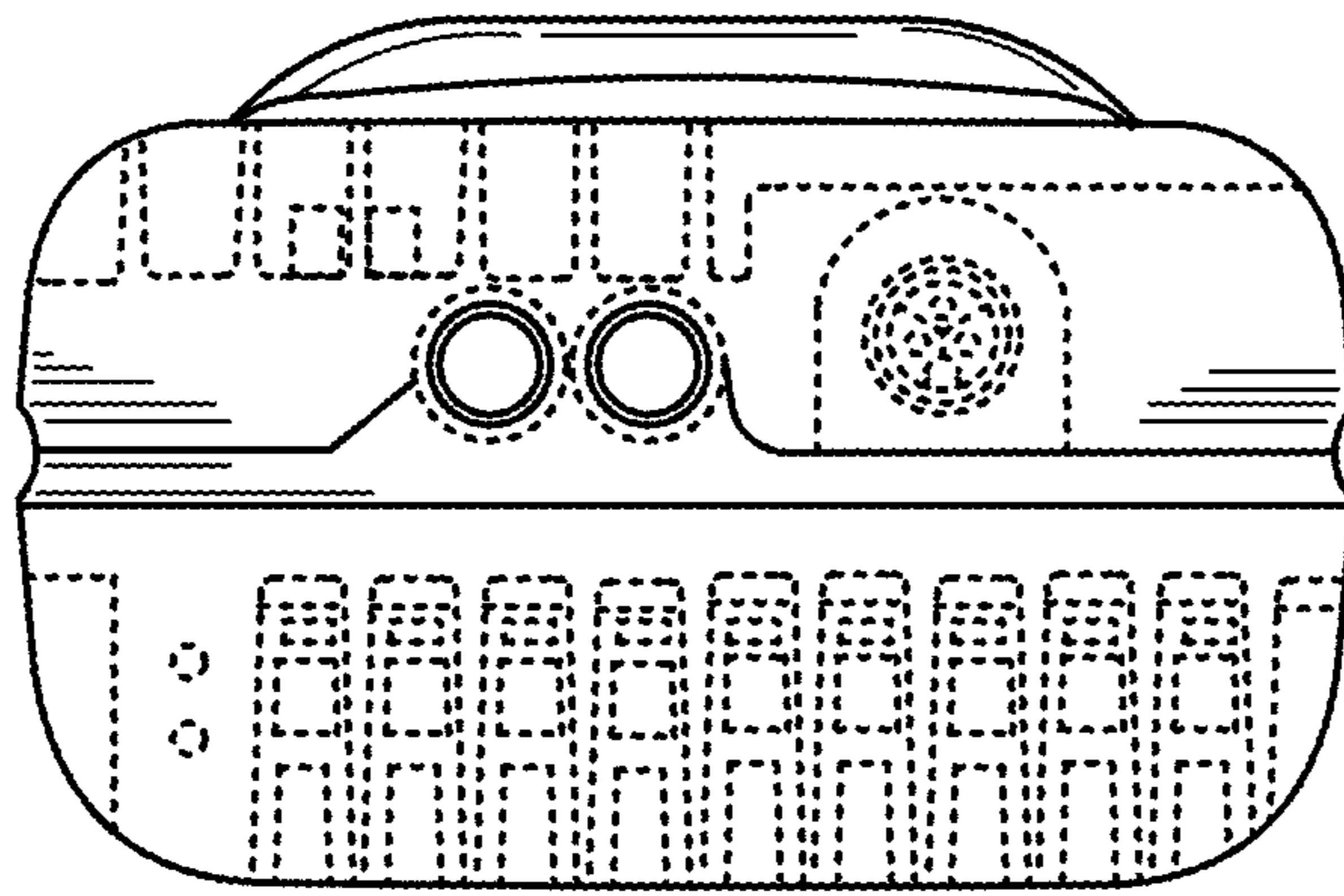


FIG. 6

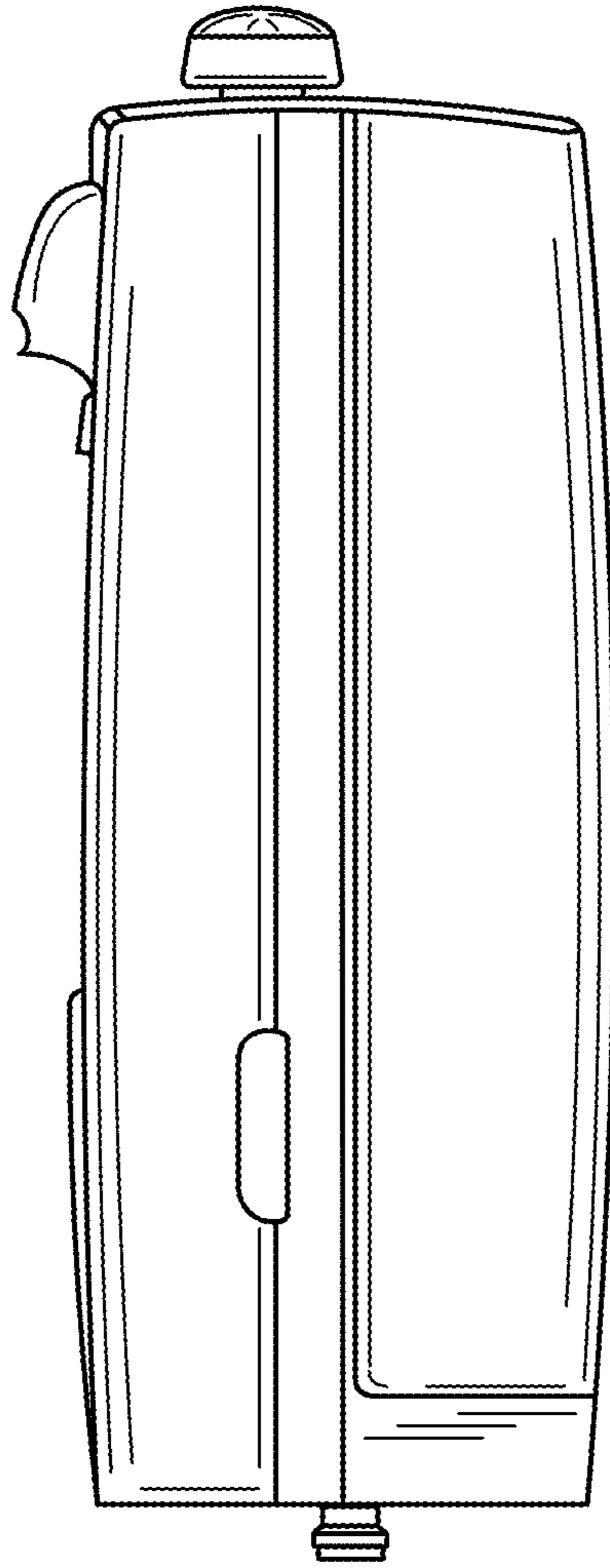


FIG. 7

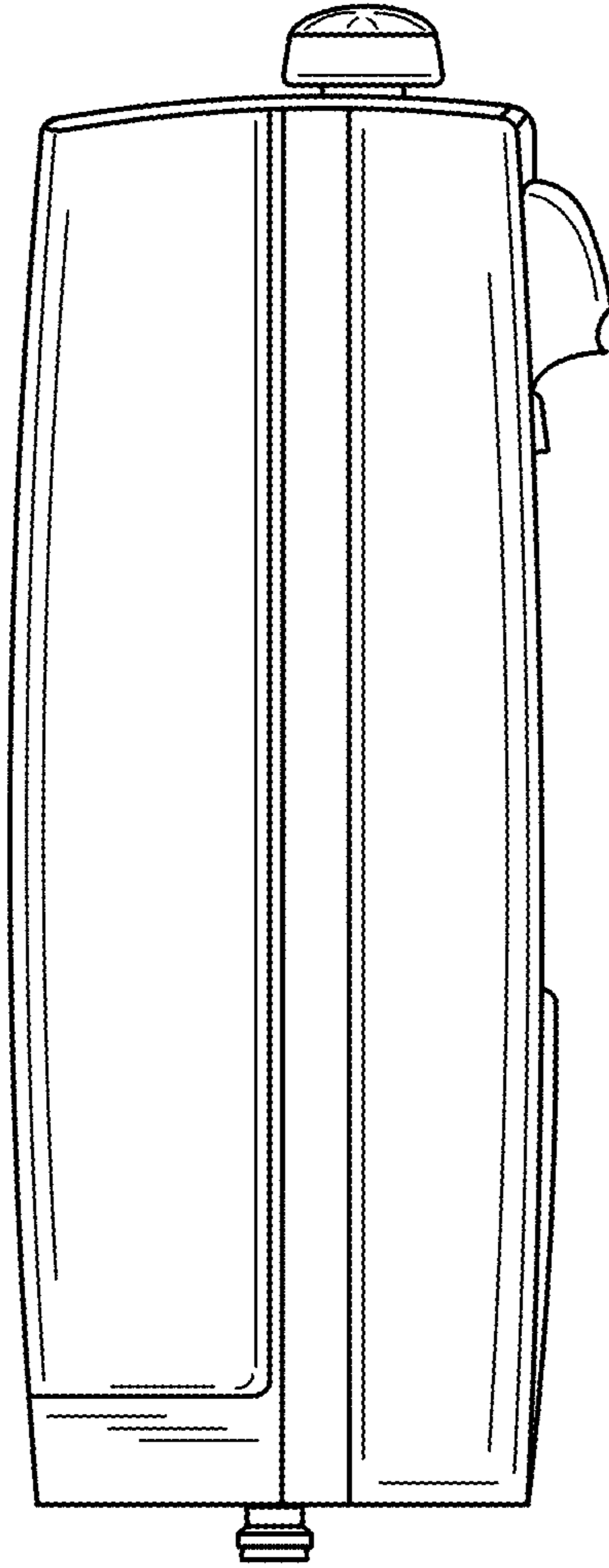


FIG. 8

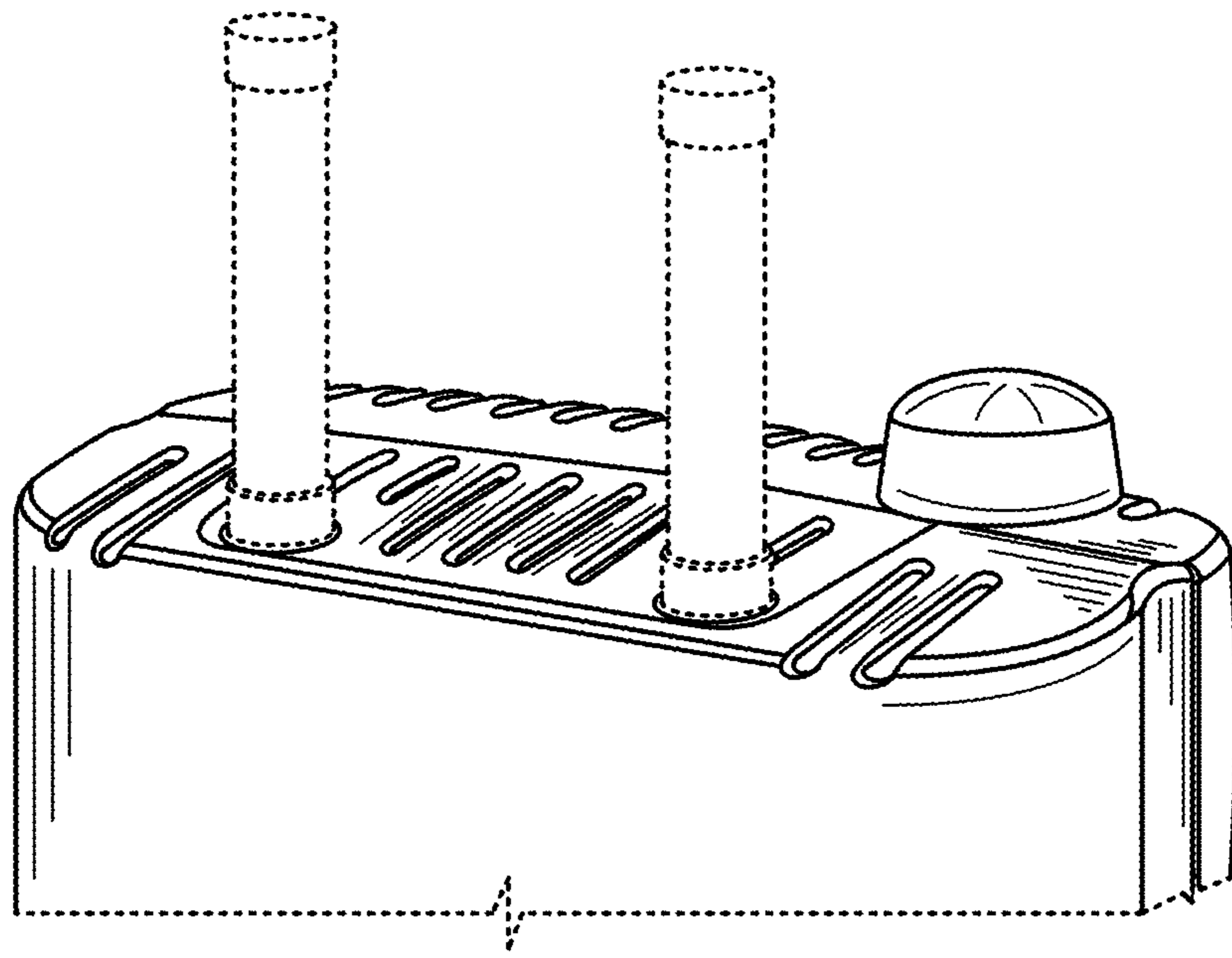


FIG. 9

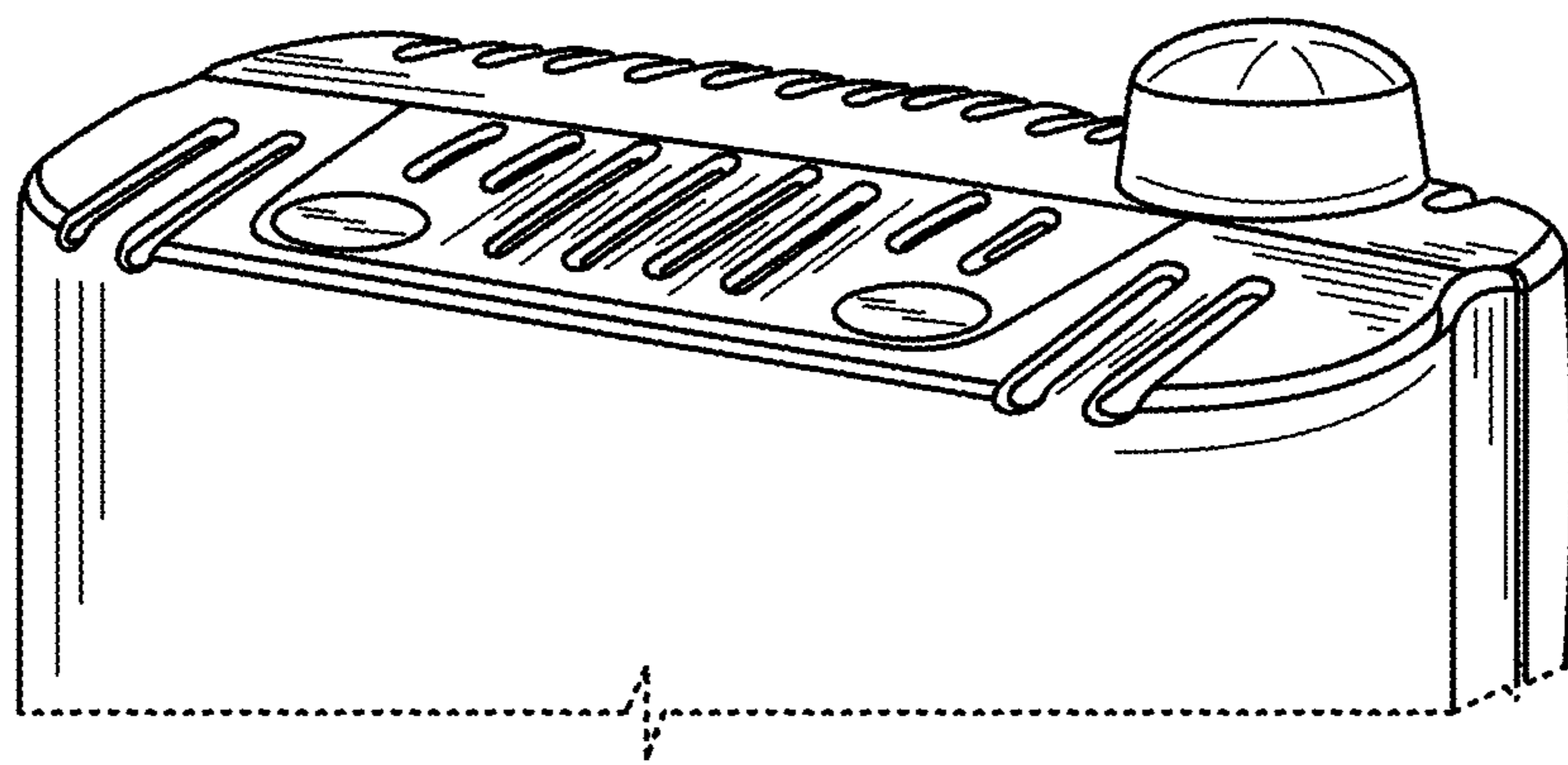


FIG. 10