



US00D784967S

(12) **United States Design Patent**  
**Bang et al.**

(10) **Patent No.:** **US D784,967 S**  
(45) **Date of Patent:** **\*\* Apr. 25, 2017**

(54) **TELEVISION RECEIVER**

(56) **References Cited**

(71) Applicant: **Samsung Electronics Co., Ltd.**,  
Suwon-si (KR)  
(72) Inventors: **Sungil Bang**, Seoul (KR); **Chanhee Han**, Seoul (KR); **Chaejoo Son**, Seoul (KR)

U.S. PATENT DOCUMENTS

D722,989 S \* 2/2015 Park ..... D14/126  
D723,528 S \* 3/2015 Choi ..... D14/239  
D725,063 S \* 3/2015 Cho ..... D14/126  
D726,195 S \* 4/2015 Snyder ..... D14/451

(73) Assignee: **Samsung Electronics Co., Ltd.**,  
Suwon-si (KR)

*Primary Examiner* — Randall Gholson  
(74) *Attorney, Agent, or Firm* — NSIP Law

(\*\*) Term: **15 Years**

(57) **CLAIM**

We claim the ornamental design for a television receiver, as shown and described.

(21) Appl. No.: **29/556,221**

**DESCRIPTION**

(22) Filed: **Feb. 29, 2016**

(30) **Foreign Application Priority Data**

Sep. 3, 2015 (KR) ..... 30-2015-0044723

(51) **LOC (10) Cl.** ..... **14-03**

(52) **U.S. Cl.**  
USPC ..... **D14/239**

(58) **Field of Classification Search**  
USPC ..... D14/125-134, 239, 371, 136, 374-377,  
D14/440, 450, 448, 336, 342, 159;  
312/7.2; 348/836, 838, 180, 184, 325,  
348/739; 248/917-924, 465; 345/104,  
345/133, 156, 168, 87, 173; D21/329,  
D21/515, 577, 622, 333, 433, 448, 452,  
D21/450, 331, 505; D10/15, 26;  
446/484, 175, 356; D6/477, 479, 300;  
D24/185; D34/14  
CPC ... G06F 1/1601; G06F 1/1643; H05K 5/0004;  
H05K 5/0017; H05K 5/02; H05K 5/0217  
See application file for complete search history.

FIG. 1 is a rear perspective view of a television receiver showing our new design;  
FIG. 2 is a front view thereof;  
FIG. 3 is a rear view thereof;  
FIG. 4 is a left-side view thereof;  
FIG. 5 is a right-side view thereof;  
FIG. 6 is a top view thereof;  
FIG. 7 is a bottom view thereof;  
FIG. 8 is a front perspective view thereof;  
FIG. 9 is an enlarged view of encircled portion 9 as illustrated in FIG. 3; and,  
FIG. 10 is an enlarged view of encircled portion 10 as illustrated in FIG. 1.

The short dash-dash broken line in the figures shows unclaimed portions of the television receiver and the dot-dash broken line represents the bounds of the claimed design; the broken lines form no part of the claimed design. The dot-dot-dash broken lines encircling portions of the claimed design that are illustrated in enlargements form no part of the claimed design.

**1 Claim, 10 Drawing Sheets**

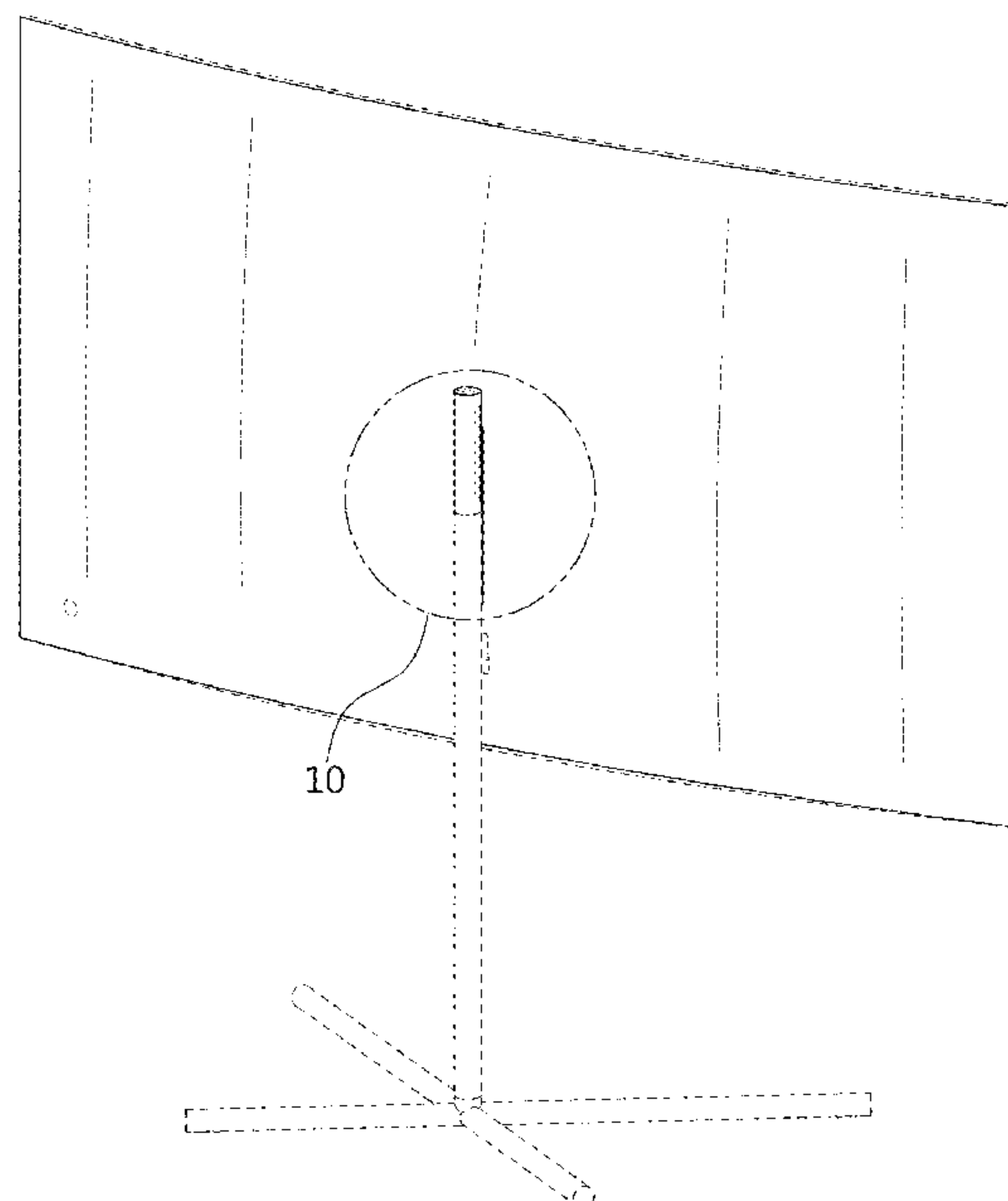


FIG. 1

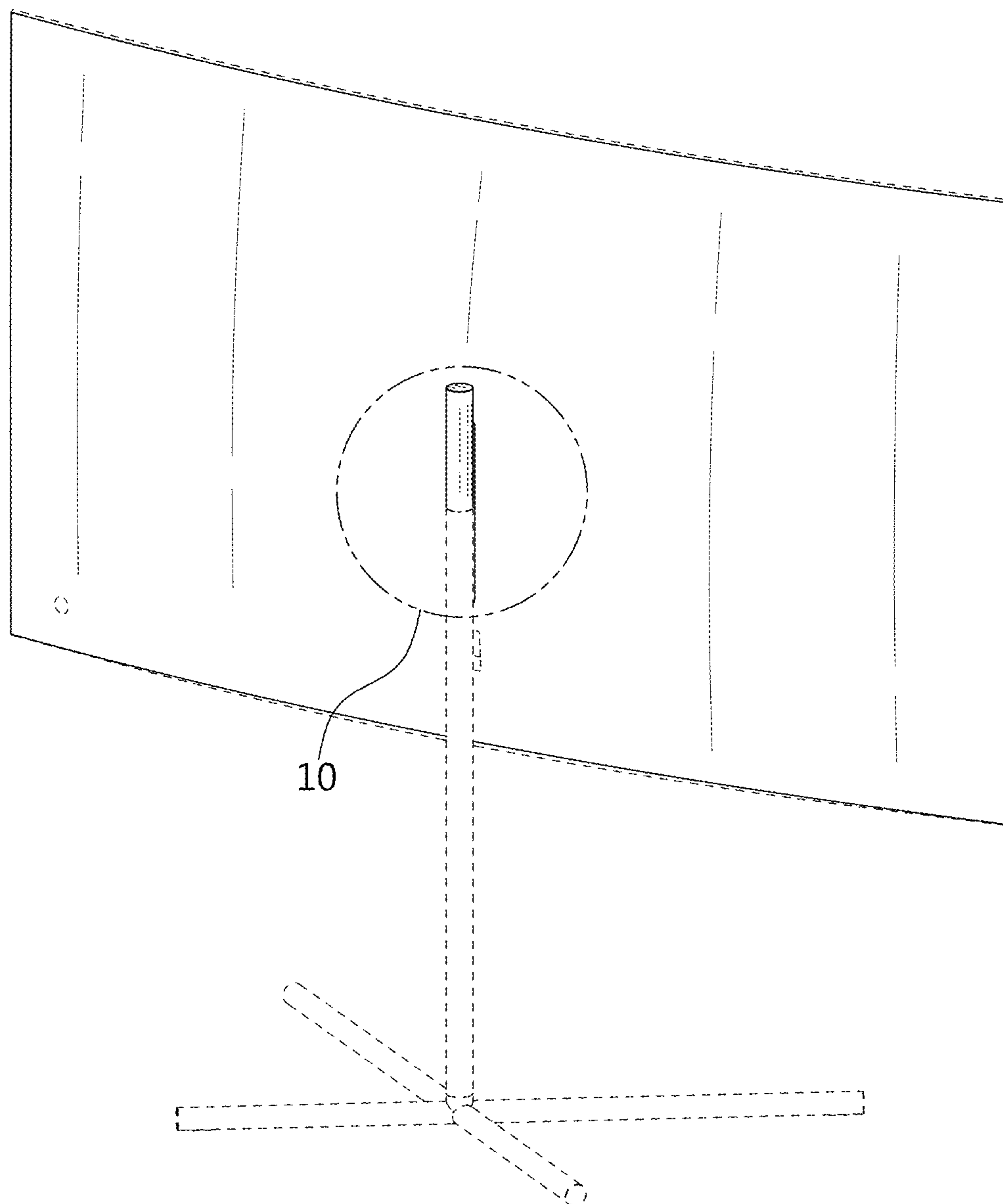


FIG. 2

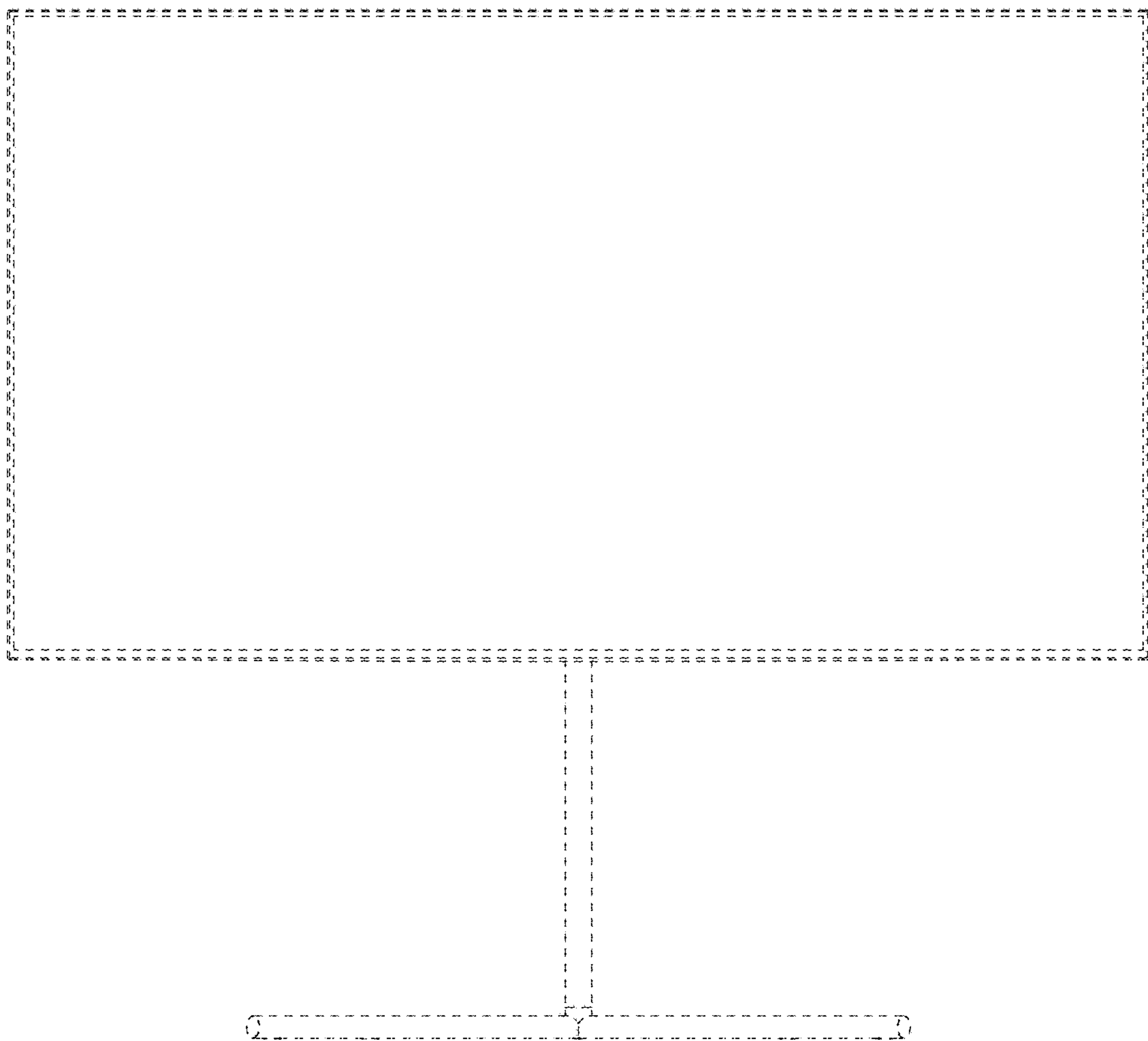


FIG. 3

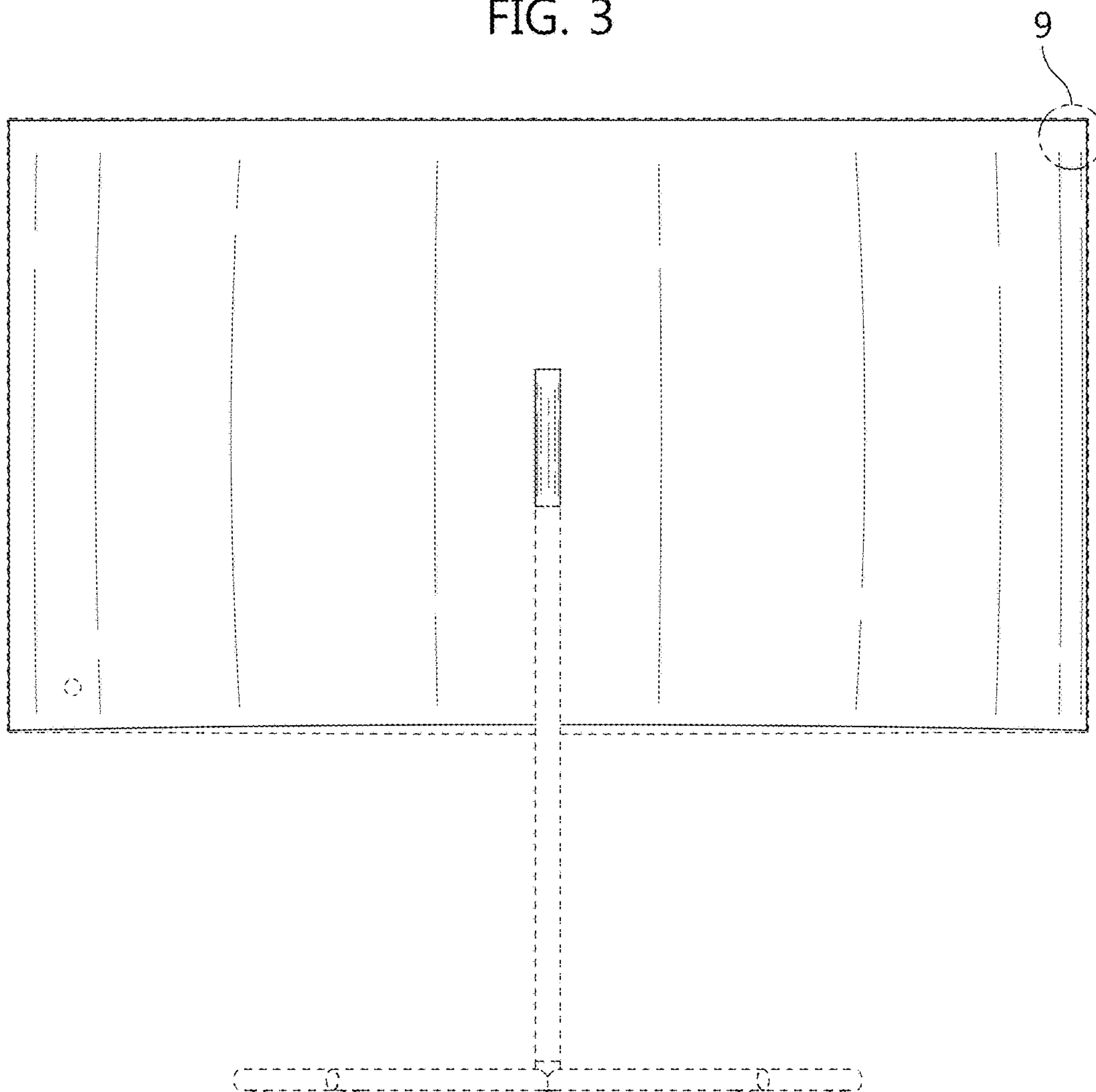


FIG. 4

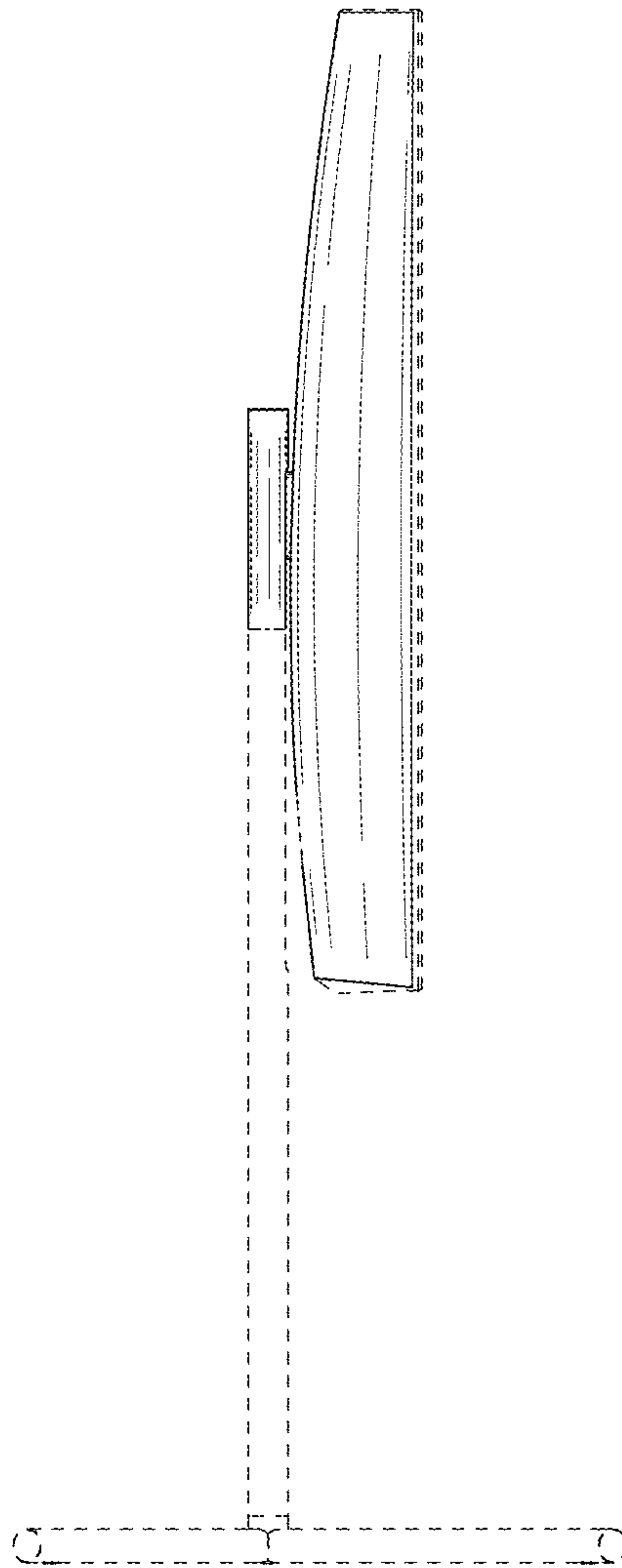


FIG. 5

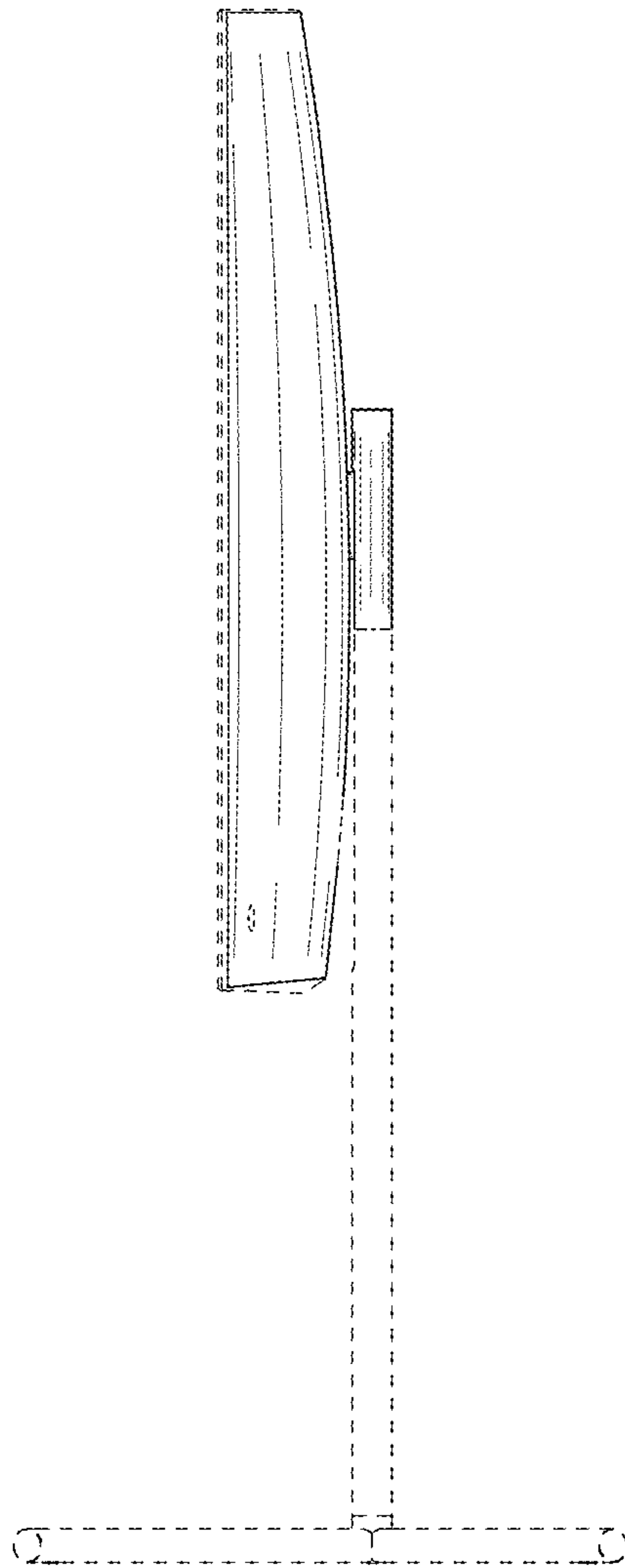


FIG. 6

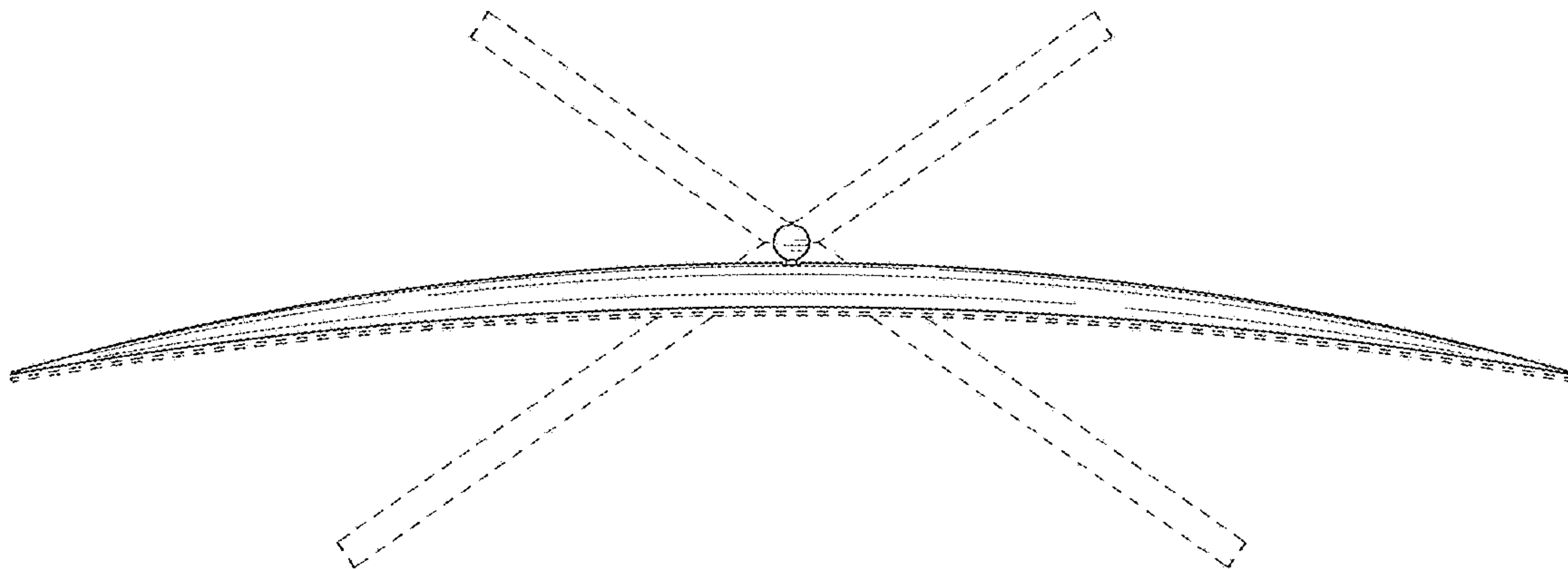


FIG. 7

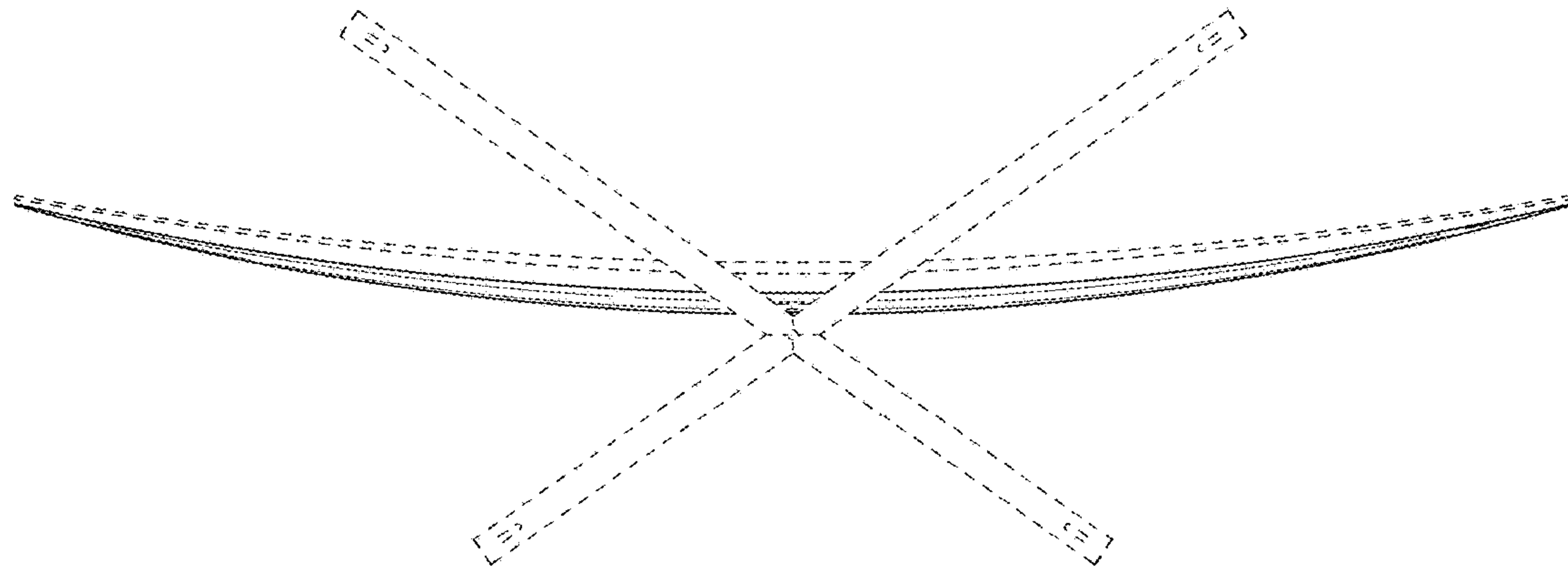




FIG. 8

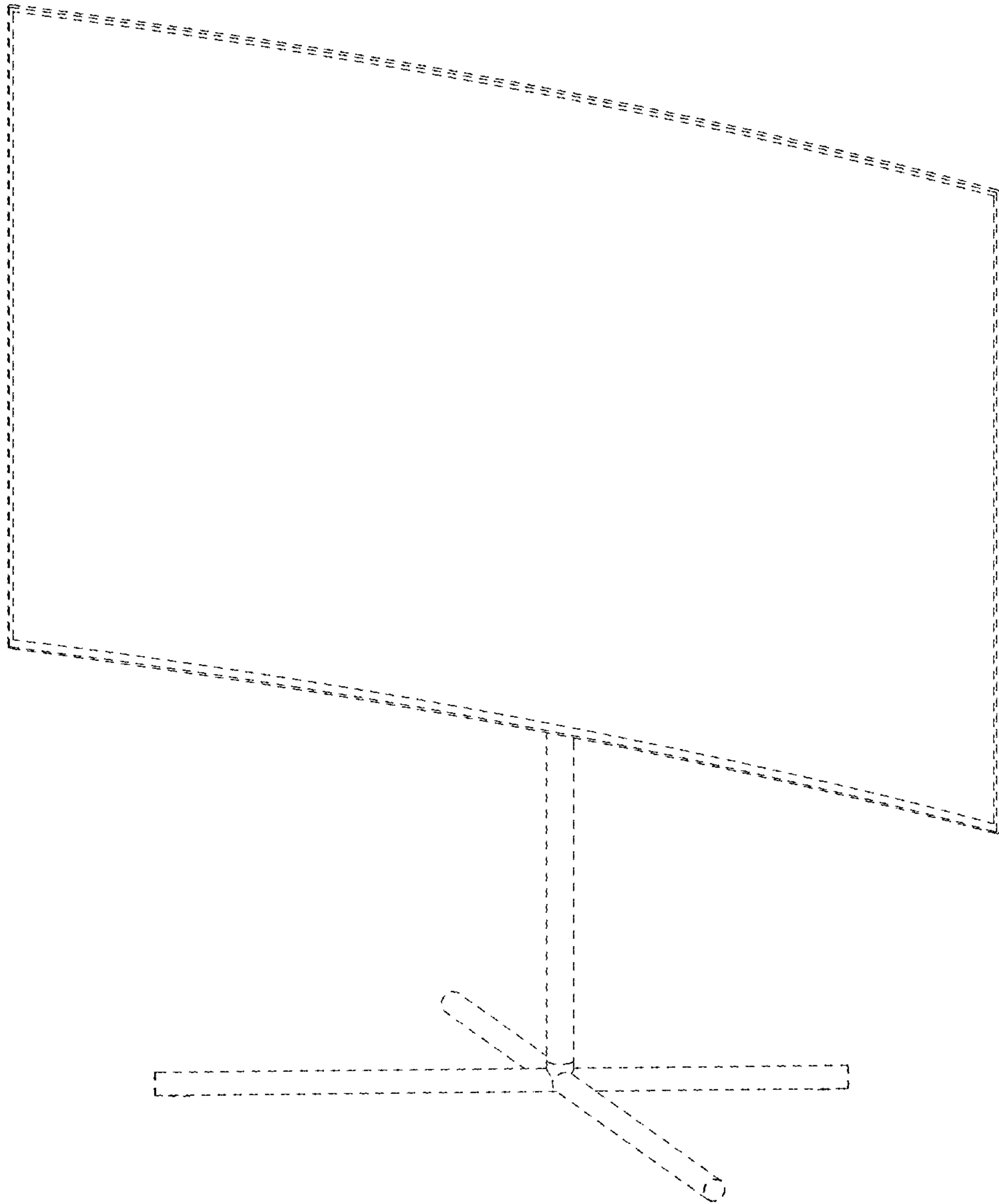


FIG. 9

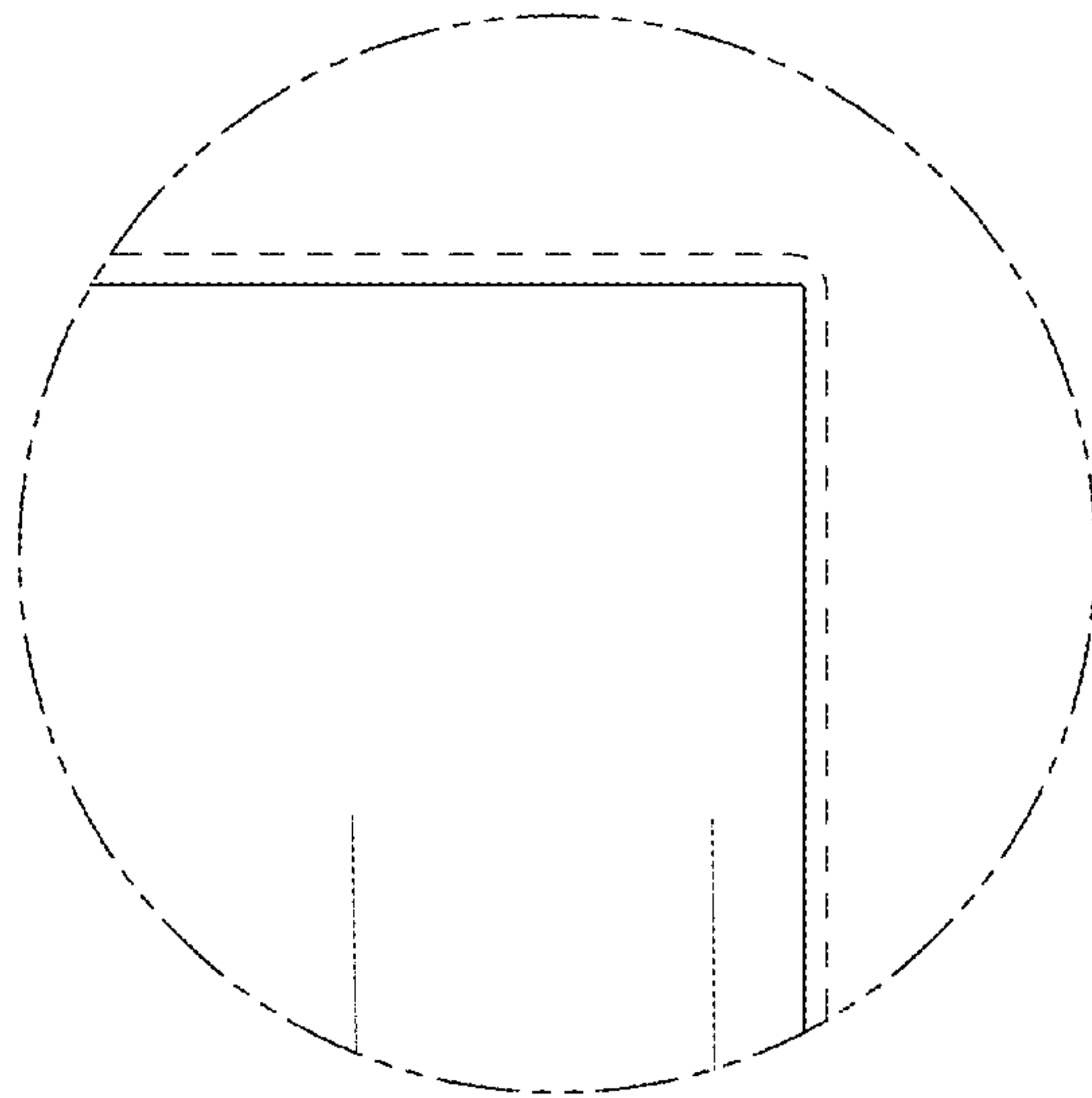


FIG. 10

