



US00D784962S

(12) **United States Design Patent**
Yang

(10) **Patent No.:** **US D784,962 S**

(45) **Date of Patent:** **** Apr. 25, 2017**

(54) **PAIR OF EARPHONES**

(71) Applicant: **Shenzhen Soundsoul Information Technology Co., Ltd., Shenzhen (CN)**

(72) Inventor: **Yong Yang, Shenzhen (CN)**

(**) Term: **15 Years**

(21) Appl. No.: **29/548,680**

(22) Filed: **Dec. 15, 2015**

(51) **LOC (10) Cl.** **14-01**

(52) **U.S. Cl.**
USPC **D14/223**

(58) **Field of Classification Search**
USPC D14/223, 205; D24/174; 128/864, 865;
181/129, 130, 135; 379/430, 431,
379/420.04; 381/71.6, 325, 370, 371,
381/380, 381, 372, 353
CPC H04R 1/10; H04R 25/00; H04R 1/1016;
H04R 1/1066; H04R 1/105; H04R 1/20
See application file for complete search history.

(56) **References Cited**

U.S. PATENT DOCUMENTS

4,965,838	A *	10/1990	Kamon	H04R 1/1016 381/322
4,981,194	A *	1/1991	Kamon	H04R 1/08 181/129
5,363,444	A *	11/1994	Norris	H04M 1/05 379/430
5,373,555	A *	12/1994	Norris	H04M 1/05 379/430
D457,514	S *	5/2002	Marion	D14/223
6,574,345	B1 *	6/2003	Huang	H04R 1/1016 379/430
D519,108	S *	4/2006	Yang	D14/223
D554,627	S *	11/2007	Gondo	D14/223
D567,217	S *	4/2008	Kamo	D14/205
D572,703	S *	7/2008	Ledbetter	D14/205

D573,978	S *	7/2008	Ledbetter	D14/205
D587,681	S *	3/2009	Yanai	D14/205
D587,685	S *	3/2009	Densho	D14/206
D589,493	S *	3/2009	Densho	D14/206
D590,375	S *	4/2009	Komiyama	D14/223
D591,721	S *	5/2009	Densho	D14/205
D594,441	S *	6/2009	Lee	D14/205
D598,894	S *	8/2009	Masuda	D14/205
D599,778	S *	9/2009	Ando	D14/205
D605,182	S *	12/2009	Fagnot	D14/223
D614,168	S *	4/2010	Rogers	D14/206
D623,171	S *	9/2010	Chen	D14/223
D627,764	S *	11/2010	Tsai	D14/223

(Continued)

Primary Examiner — Paula Greene

(74) *Attorney, Agent, or Firm* — Prakash Nama; Global IP Services, PLLC

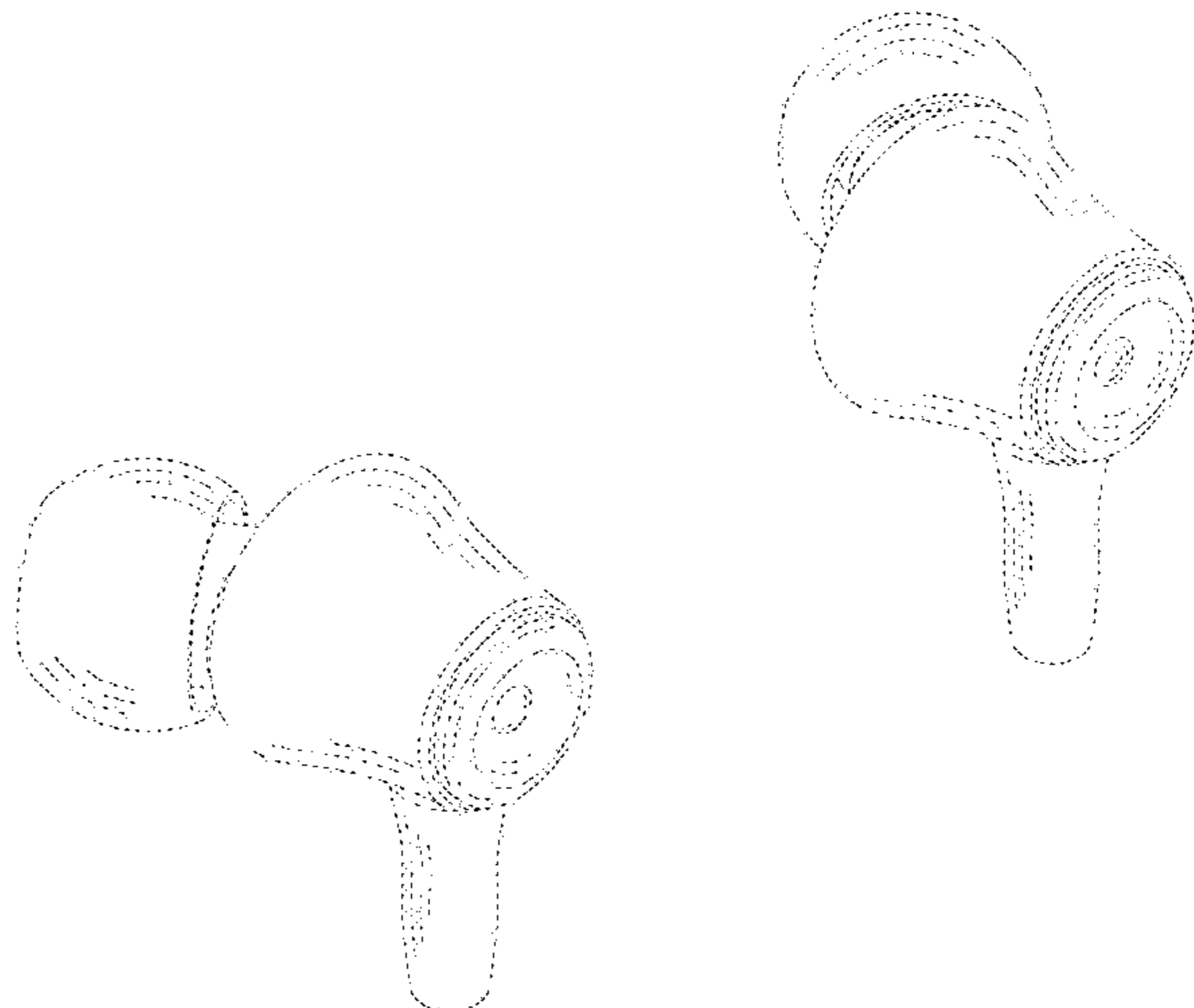
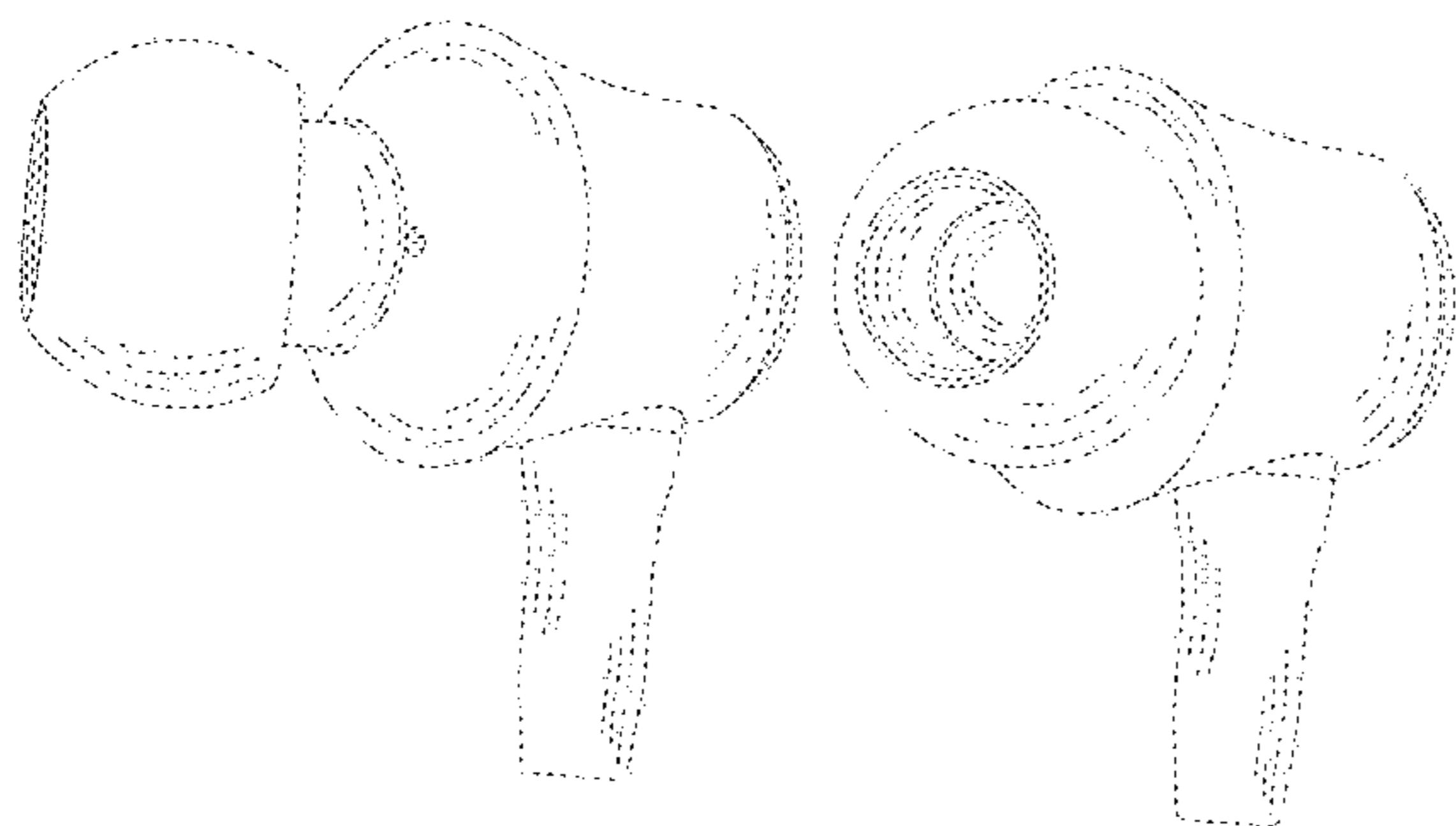
(57) **CLAIM**

The ornamental design for a pair of earphones, as shown and described.

DESCRIPTION

FIG. 1 is a front elevational view of a pair of earphones showing my new design;
FIG. 2 is a front perspective view thereof;
FIG. 3 is a rear perspective view thereof;
FIG. 4 is a rear elevational view of the left earphone of the pair of earphones, shown separately for purposes of illustration, the rear elevational view of the right earphone is a mirror image thereof;
FIG. 5 is a right side view of the left earphone thereof, the right side view of the right earphone is mirror image thereof;
FIG. 6 is a top plan view of the left earphone thereof, the top plan view of the right earphone is mirror image thereof; and,
FIG. 7 is a bottom plan view of the left earphone thereof, the bottom plan view of the right earphone is mirror image thereof.

1 Claim, 3 Drawing Sheets



(56)

References Cited

U.S. PATENT DOCUMENTS

D628,193 S * 11/2010 Zheng D14/223
D629,395 S * 12/2010 Lee D14/223
D631,034 S * 1/2011 Yeo D14/205
D635,558 S * 4/2011 Zheng D14/206
D637,181 S * 5/2011 Fuller D14/223
D639,280 S * 6/2011 Hayes D14/223
D643,416 S * 8/2011 Chong D14/223
D652,817 S * 1/2012 Lee D14/205
8,265,322 B2 * 9/2012 Uchida H04R 1/1075
381/370
8,265,323 B2 * 9/2012 Stiehl B29C 45/0025
381/371
D680,102 S * 4/2013 Chen D14/223
8,422,717 B2 * 4/2013 Lin H04R 1/1091
181/129
8,666,085 B2 * 3/2014 Donaldson G10K 11/1788
181/129
D718,286 S * 11/2014 Yang D14/223
D719,548 S * 12/2014 Thompson D14/223
D729,775 S * 5/2015 Seo D14/205
D746,792 S * 1/2016 Kim D14/205
D752,026 S * 3/2016 Yang D14/223
D760,202 S * 6/2016 Hsieh D14/223
D762,196 S * 7/2016 Hsieh D14/223
D771,013 S * 11/2016 Yang D14/205
D773,435 S * 12/2016 Ott D14/205
2012/0051574 A1 * 3/2012 Lin H04R 1/2803
381/353
2012/0057738 A1 * 3/2012 Lin H04R 1/1091
381/370

* cited by examiner

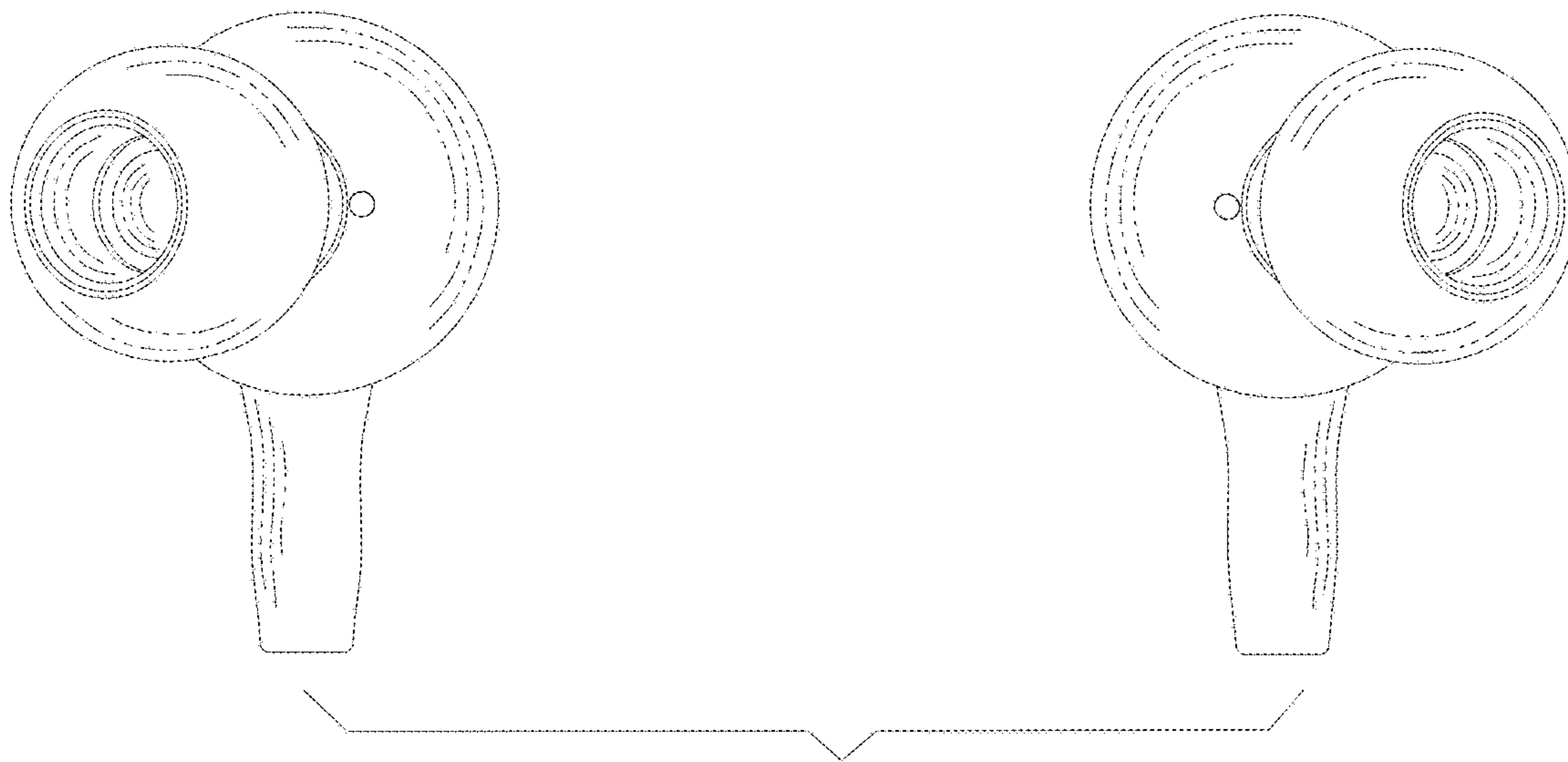


FIG. 1

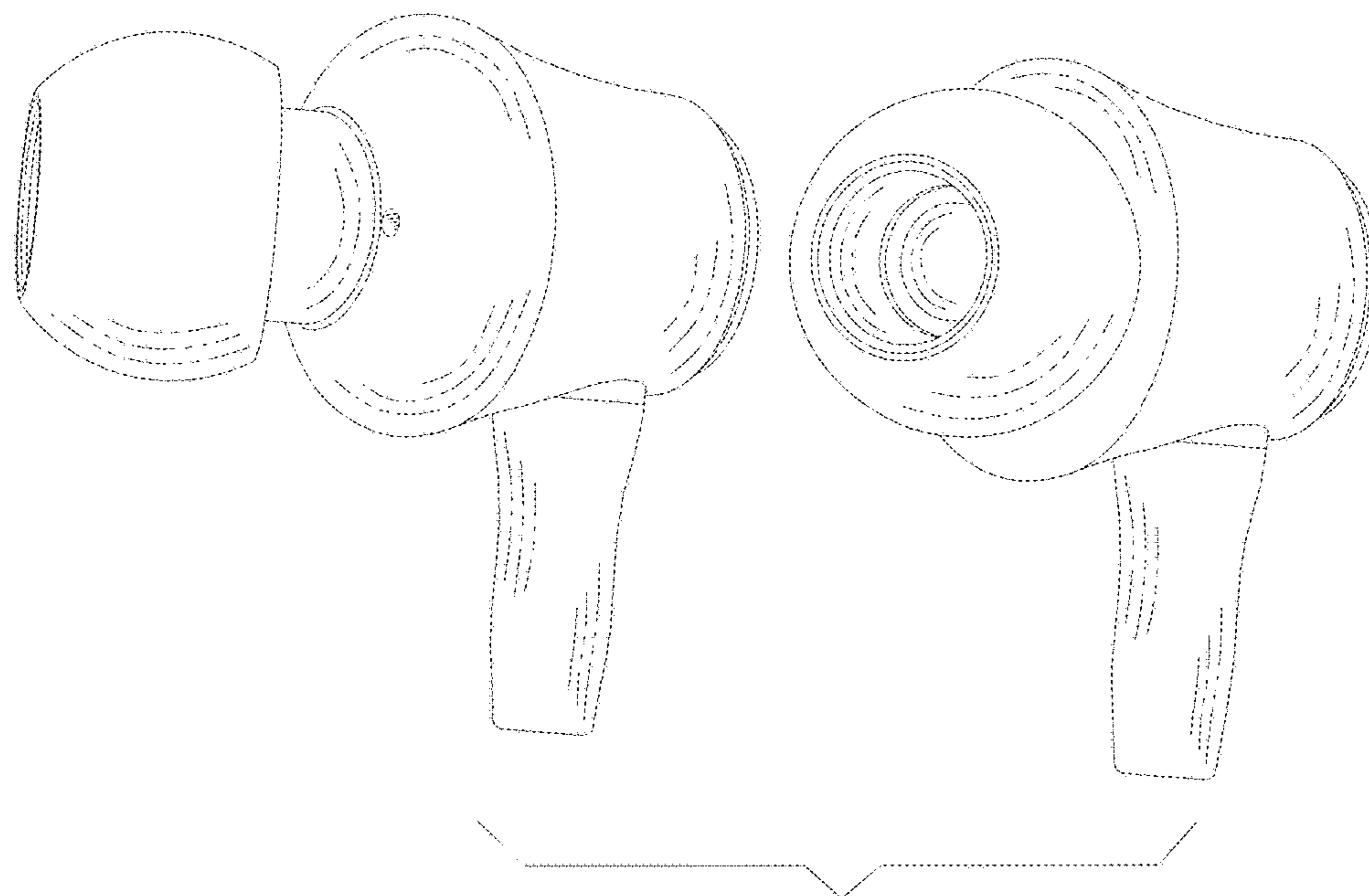


FIG. 2

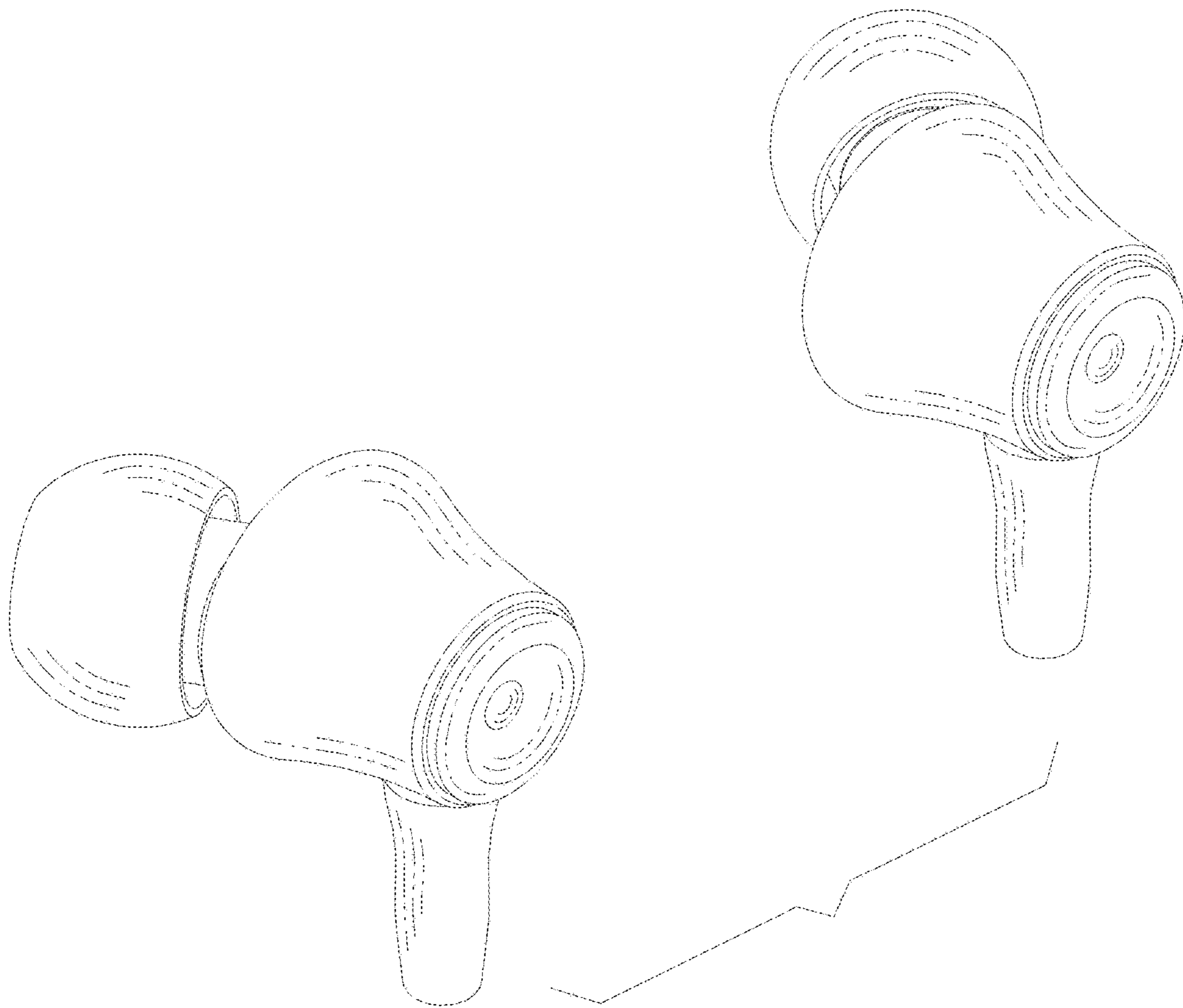


FIG. 3

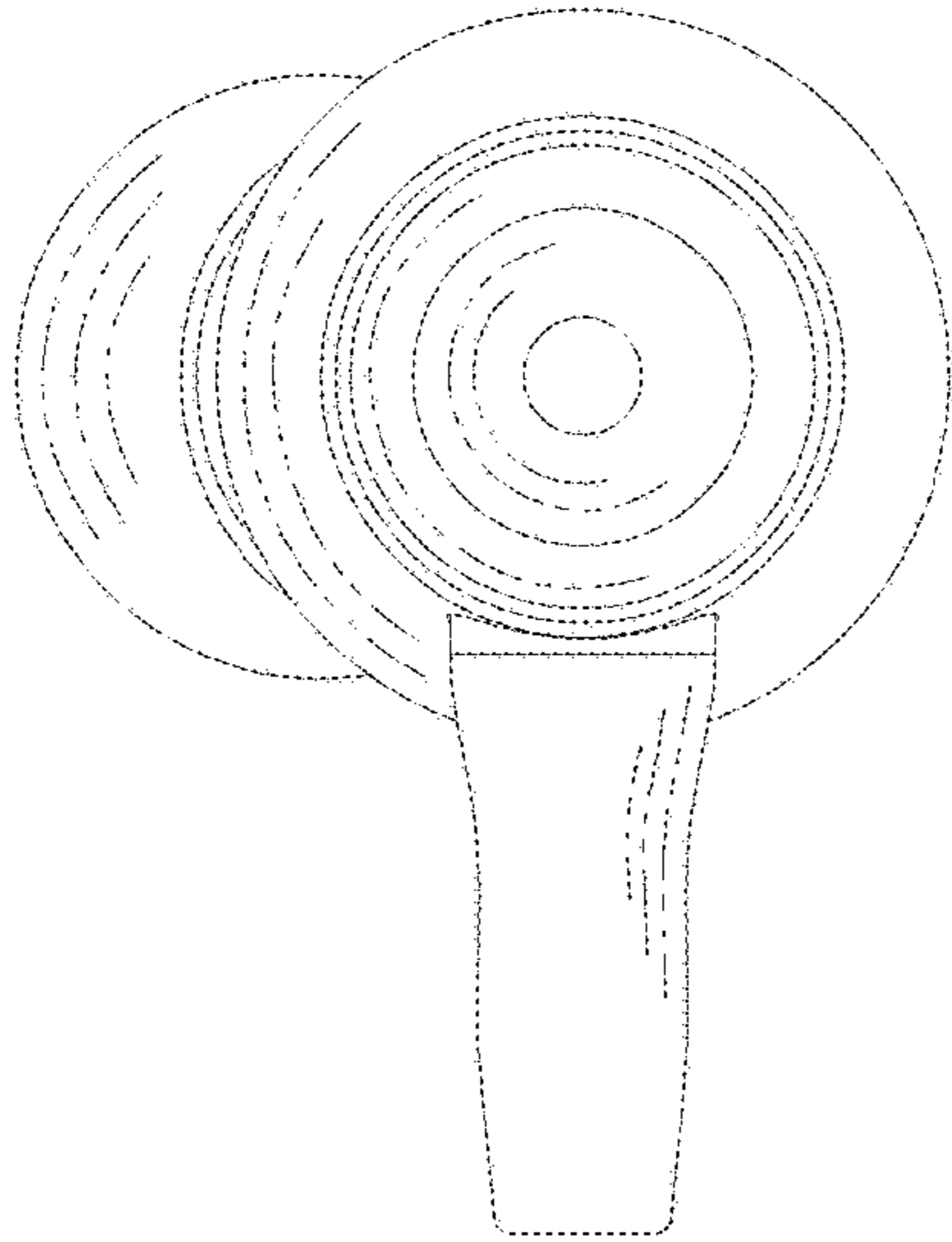


FIG. 4

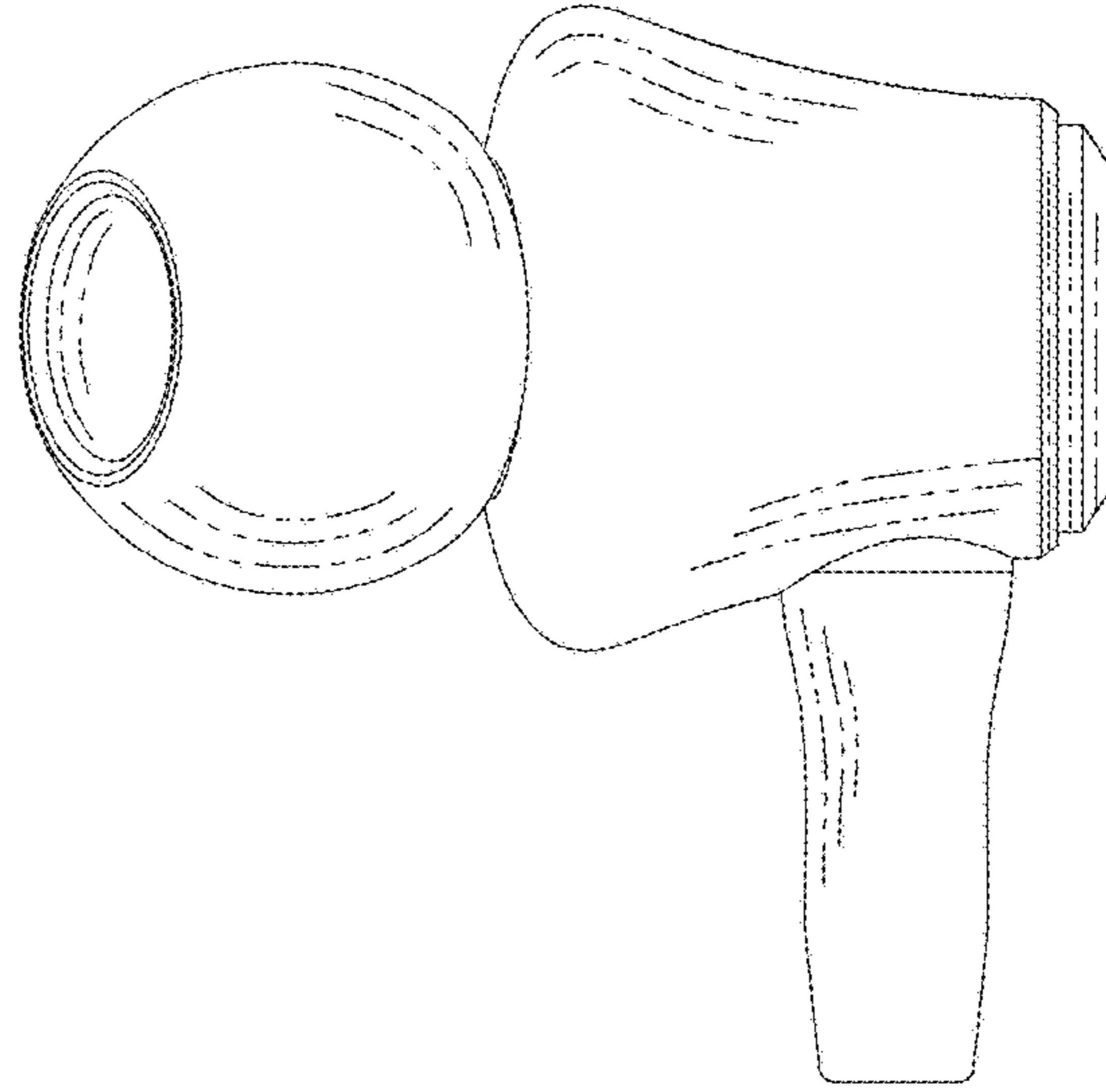


FIG. 5

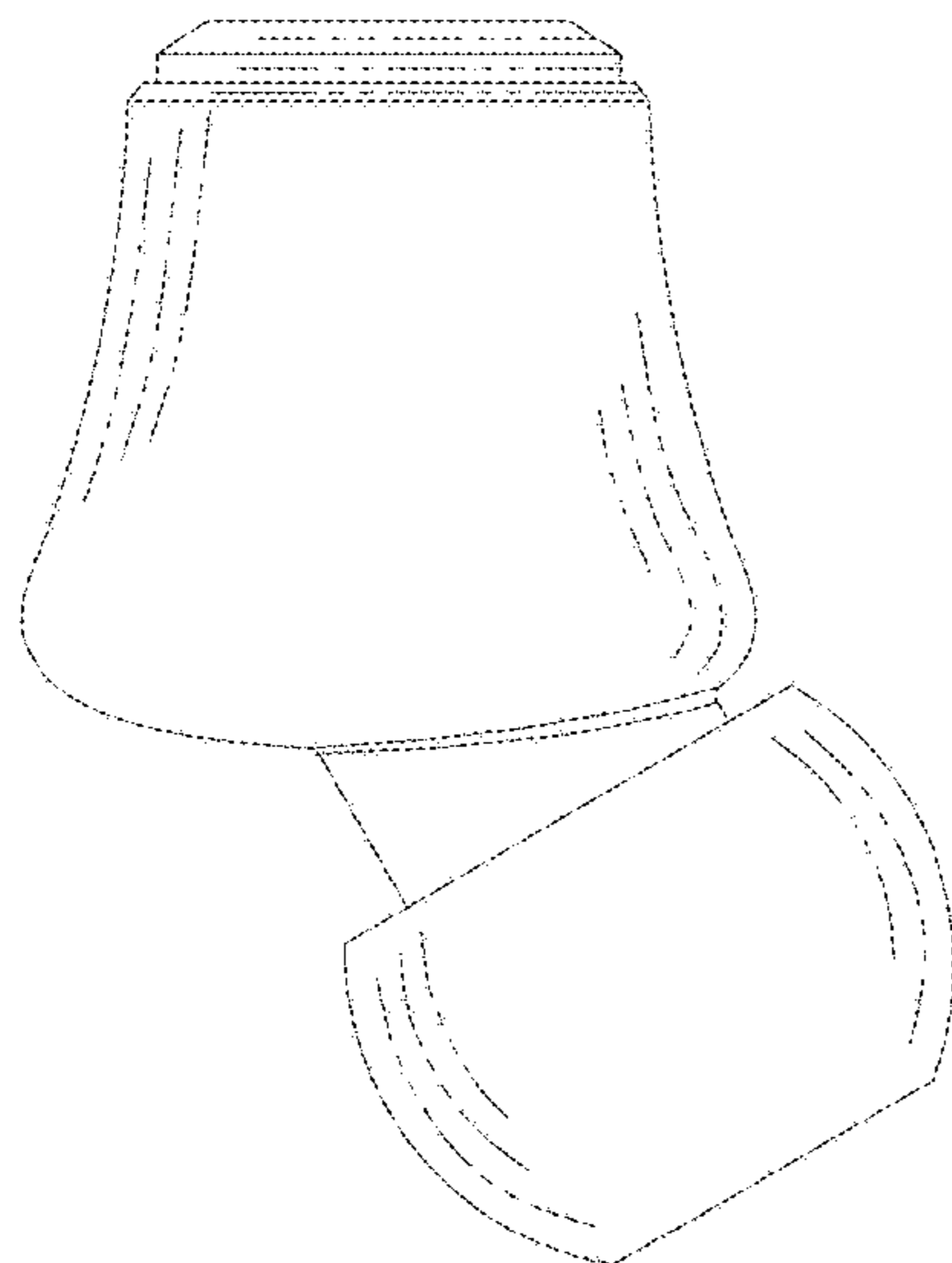


FIG. 6

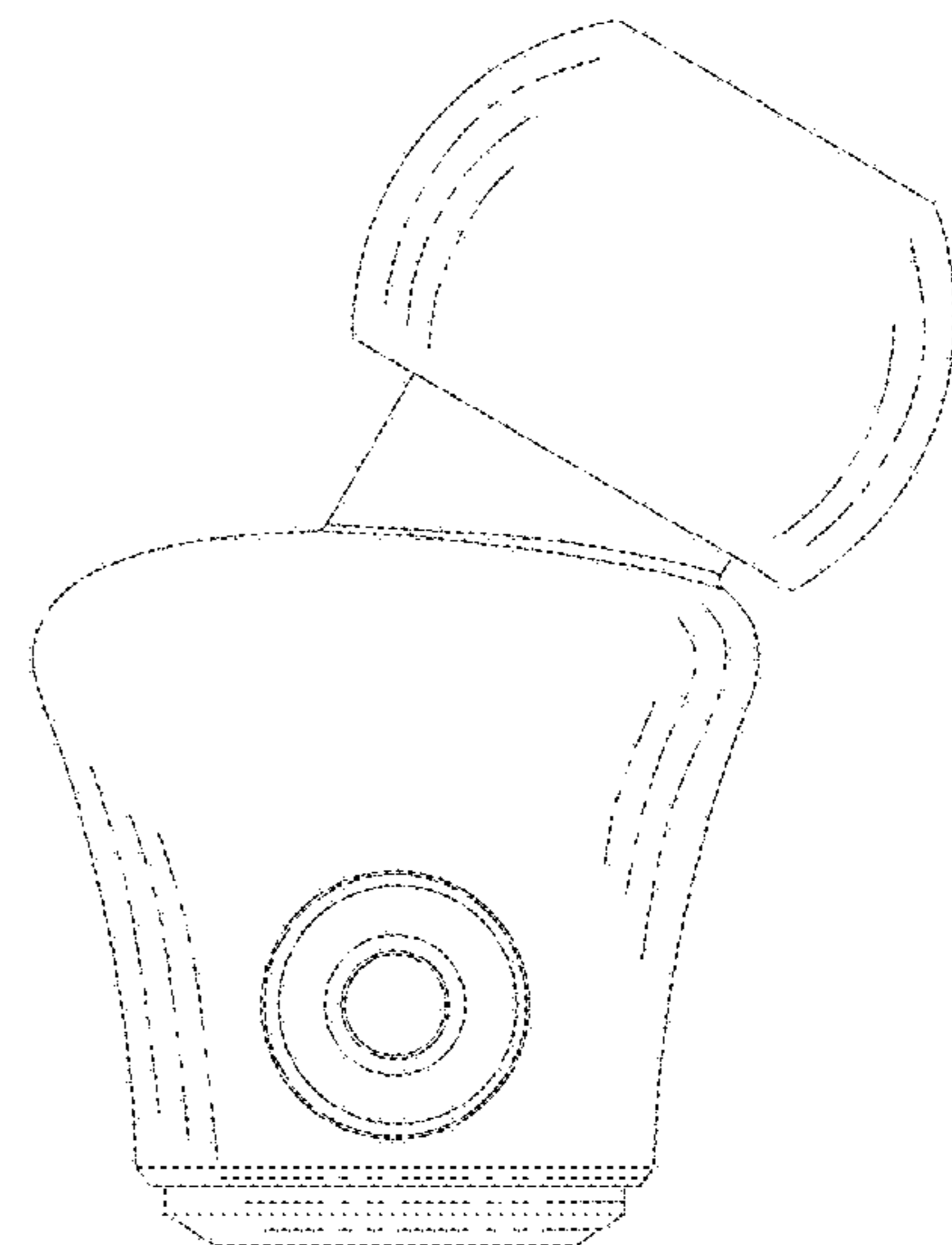


FIG. 7