



US00D784960S

(12) **United States Design Patent** (10) **Patent No.:** **US D784,960 S**
Gassner (45) **Date of Patent:** **** Apr. 25, 2017**

(54) **USB HAND CONTROLLER**

D591,693 S * 5/2009 Ohlert D13/171
D611,917 S * 3/2010 Ohlert D13/174
(Continued)

(71) Applicant: **LIMOSS (SHENZHEN) CO., LTD,**
Shenzhen, Guangdong (CN)

Primary Examiner — Ralf Seifert

(72) Inventor: **Christian Gassner,** Guangdong (CN)

(57) **CLAIM**

The ornamental design for a USB hand controller, as shown and described.

(73) Assignee: **LIMOSS (SHENZHEN) CO., LTD,**
Shenzhen (CN)

DESCRIPTION

(**) Term: **15 Years**

FIG. 1 is a front elevation view of a first embodiment of a USB hand controller;
FIG. 2 is a rear elevation view of FIG. 1;
FIG. 3 is a bottom plan view of FIG. 1;
FIG. 4 is a top plan view of FIG. 1;
FIG. 5 is a left side view of FIG. 1;
FIG. 6 is a right side view of FIG. 1;
FIG. 7 is a first perspective view of FIG. 1;
FIG. 8 is a second perspective view of FIG. 1;
FIG. 9 is a third perspective view of FIG. 1;
FIG. 10 is a fourth perspective view of FIG. 1;
FIG. 11 is a front elevation view of a second embodiment of the USB hand controller;
FIG. 12 is a rear elevation view of FIG. 11;
FIG. 13 is a bottom plan view of FIG. 11;
FIG. 14 is a top plan view of FIG. 11;
FIG. 15 is a left side view of FIG. 11;
FIG. 16 is a right side view of FIG. 11;
FIG. 17 is a first perspective view of FIG. 11;
FIG. 18 is a second perspective view of FIG. 11;
FIG. 19 is a third perspective view of FIG. 11;
FIG. 20 is a fourth perspective view of FIG. 11;
FIG. 21 is a front elevation view of a third embodiment of the USB hand controller;
FIG. 22 is a rear elevation view of FIG. 21;
FIG. 23 is a bottom plan view of FIG. 21;
FIG. 24 is a top plan view of FIG. 21;
FIG. 25 is a left side view of FIG. 21;
FIG. 26 is a right side view of FIG. 21;
FIG. 27 is a first perspective view of FIG. 21;
FIG. 28 is a second perspective view of FIG. 21;
FIG. 29 is a third perspective view of FIG. 21; and,
FIG. 30 is a fourth perspective view of FIG. 21.

(21) Appl. No.: **29/589,185**

(22) Filed: **Dec. 29, 2016**

Related U.S. Application Data

(62) Division of application No. 29/527,657, filed on May 20, 2015, now Pat. No. Des. 780,719.

(30) **Foreign Application Priority Data**

Mar. 28, 2015 (CN) 2015 3 0077769

(51) **LOC (10) Cl.** **14-03**

(52) **U.S. Cl.**
USPC **D14/218**

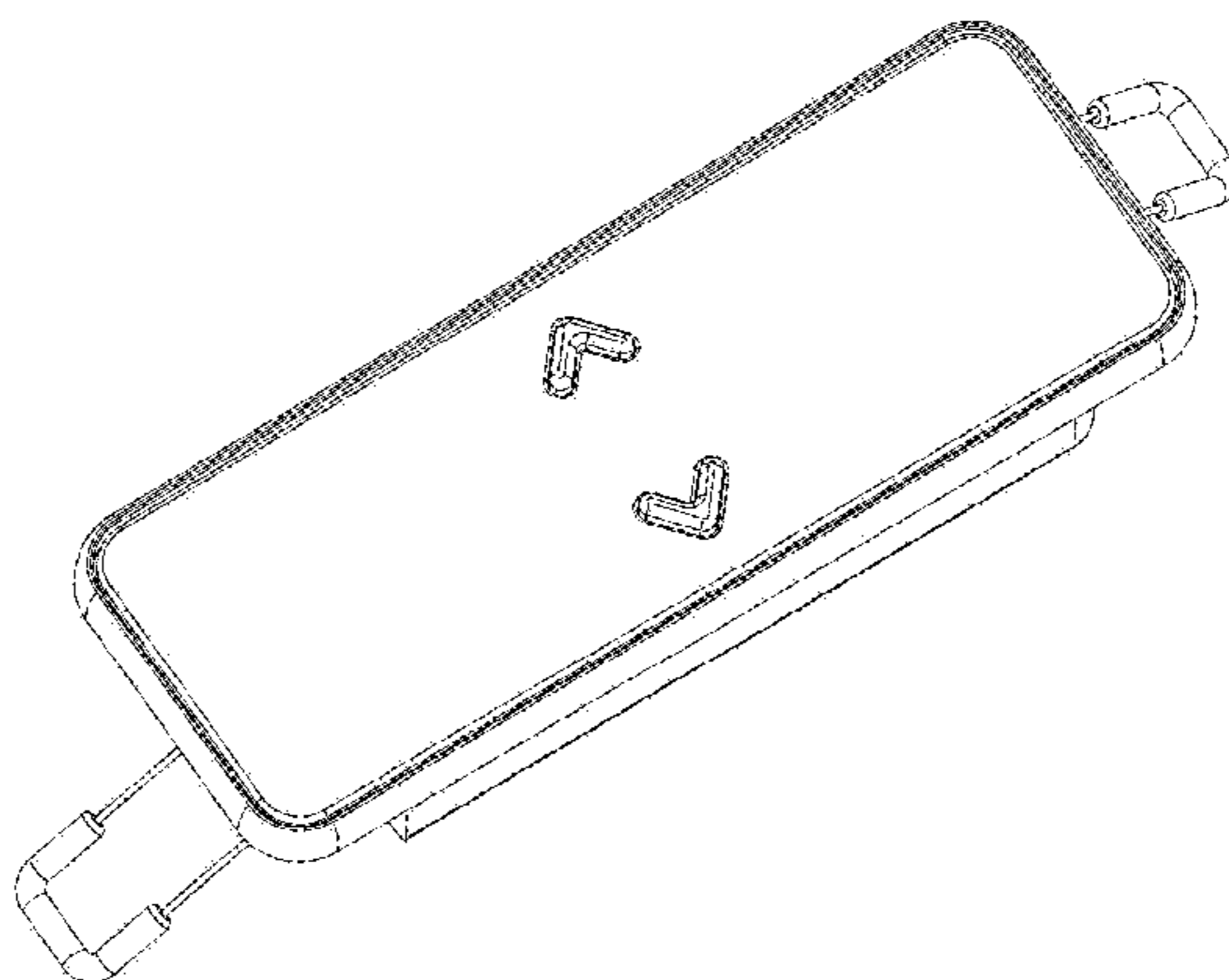
(58) **Field of Classification Search**
USPC D14/137, 174, 217–218, 240, 247,
D14/388–390, 396, 511; D21/516;
(Continued)

(56) **References Cited**

U.S. PATENT DOCUMENTS

D348,652 S * 7/1994 Reed D13/162
D451,482 S * 12/2001 Vanderheiden D13/162
D584,244 S * 1/2009 Ohlert D13/171
D587,215 S * 2/2009 Ohlert D13/171

1 Claim, 30 Drawing Sheets



(58) **Field of Classification Search**

USPC D13/162-164, 168, 174; 715/738;
434/350; 600/323; 348/211.99, 14.05,
348/114, 734; 341/175-176; 455/575.1;
D10/104.1

CPC G08C 23/04; G08C 19/12; H04N 5/44;
H04L 17/02; H03J 1/0025; H03J 9/00

See application file for complete search history.

(56) **References Cited**

U.S. PATENT DOCUMENTS

D621,372 S * 8/2010 Won D13/168
D625,276 S * 10/2010 Won D13/168
D647,883 S * 11/2011 Kim D14/218
D656,105 S * 3/2012 Cook D13/168
D687,392 S * 8/2013 McCullar D13/168
D688,214 S * 8/2013 Ducret D13/168
8,659,466 B2 * 2/2014 Lee G08C 17/00
341/176
D704,166 S * 5/2014 Sung D14/218
D709,837 S * 7/2014 Charleux D13/168
D710,313 S * 8/2014 Charleux D13/168
D710,808 S * 8/2014 Charleux D13/168
D719,935 S * 12/2014 Diamond D14/218
D721,661 S * 1/2015 Lofberg D13/174
D726,664 S * 4/2015 McCullar D13/168
D734,302 S * 7/2015 Won D14/218
D744,433 S * 12/2015 Baumgartner D10/49
D747,293 S * 1/2016 Mistry D13/168
D760,177 S * 6/2016 Gassner D13/168

* cited by examiner

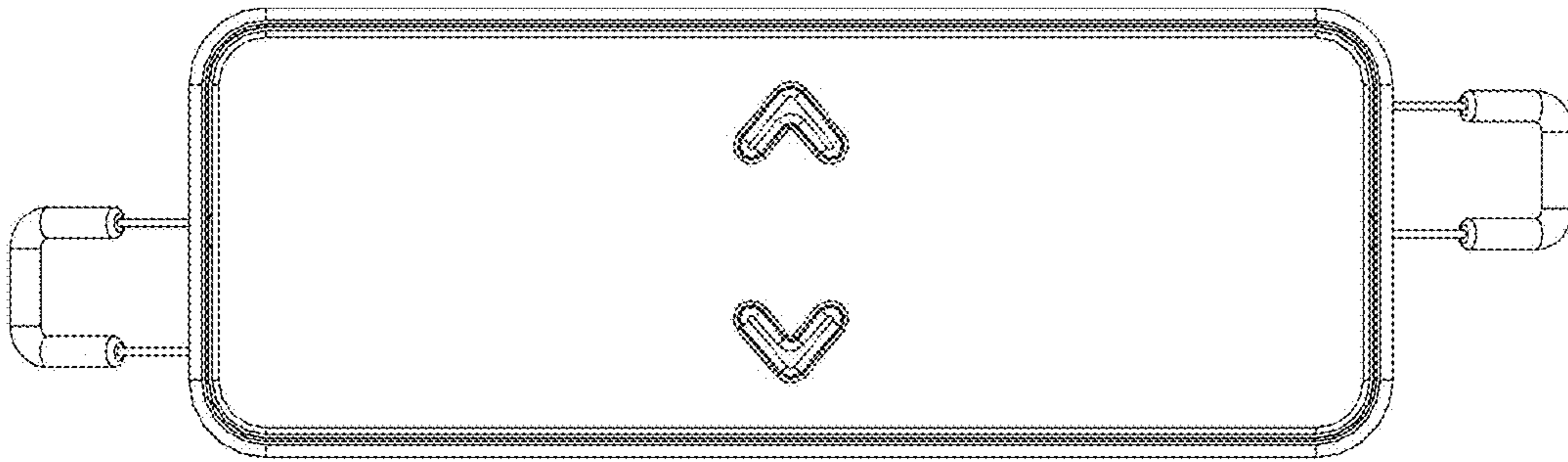


Fig. 1

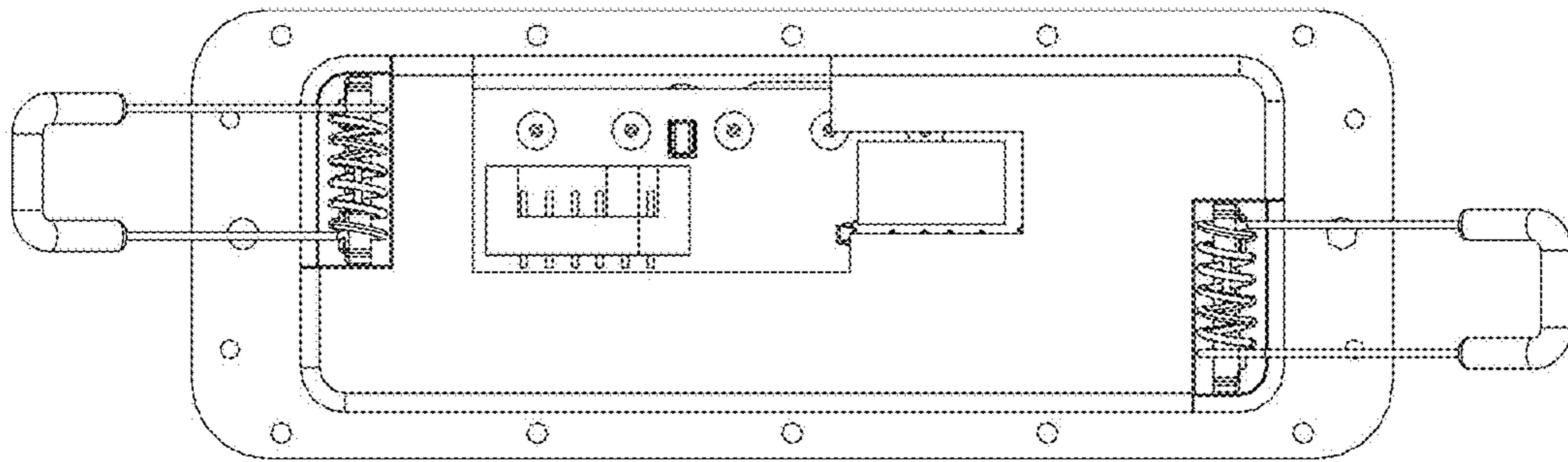


Fig. 2

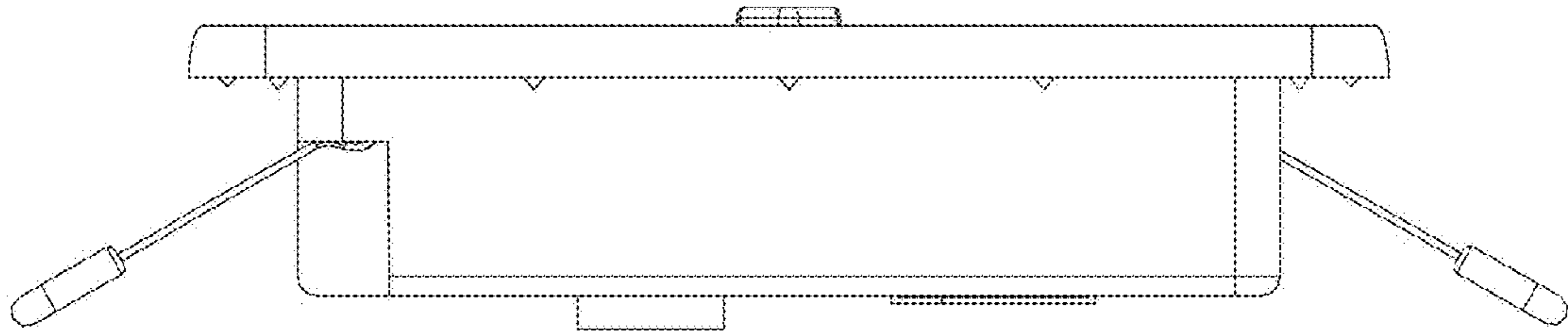


Fig. 3

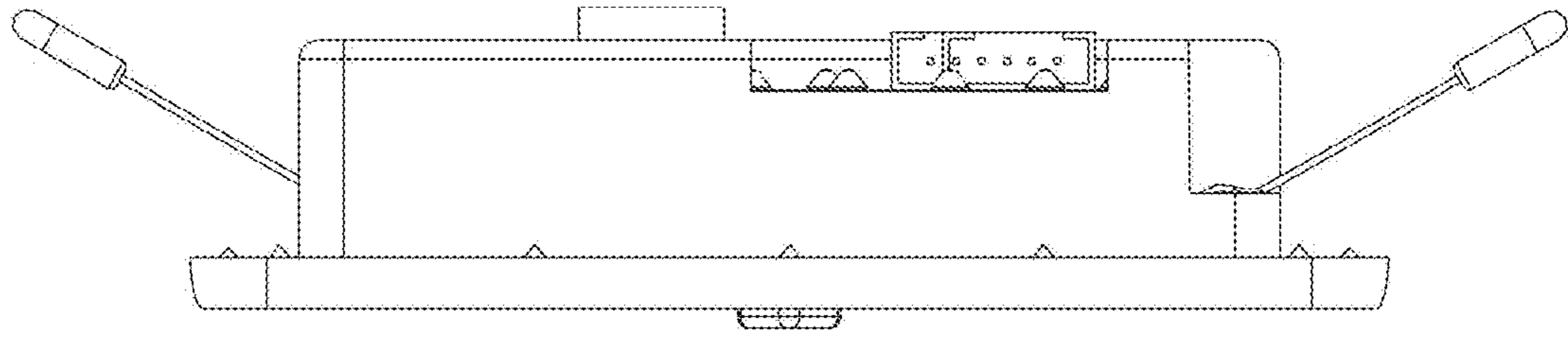


Fig. 4

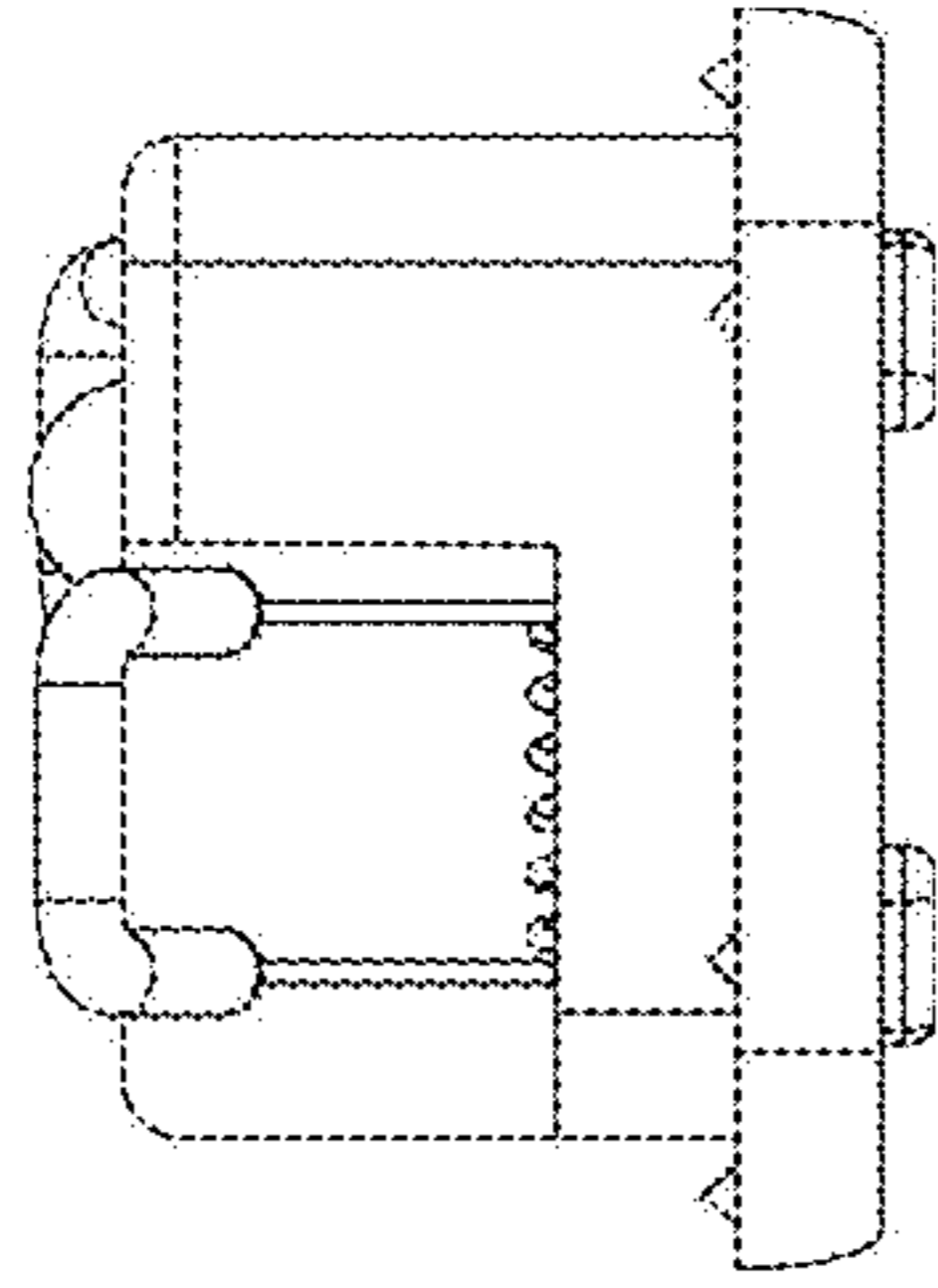


Fig. 5

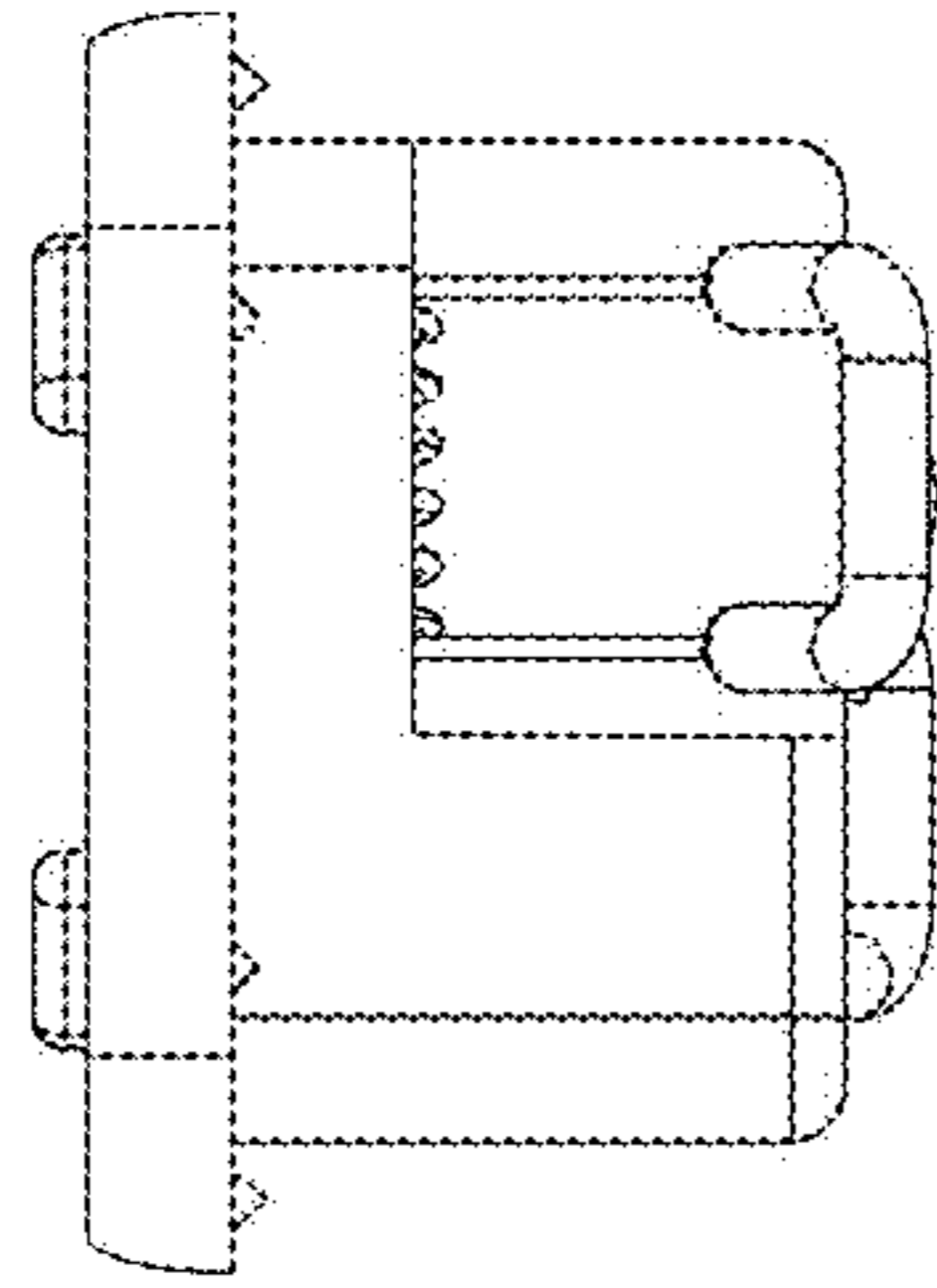


Fig. 6

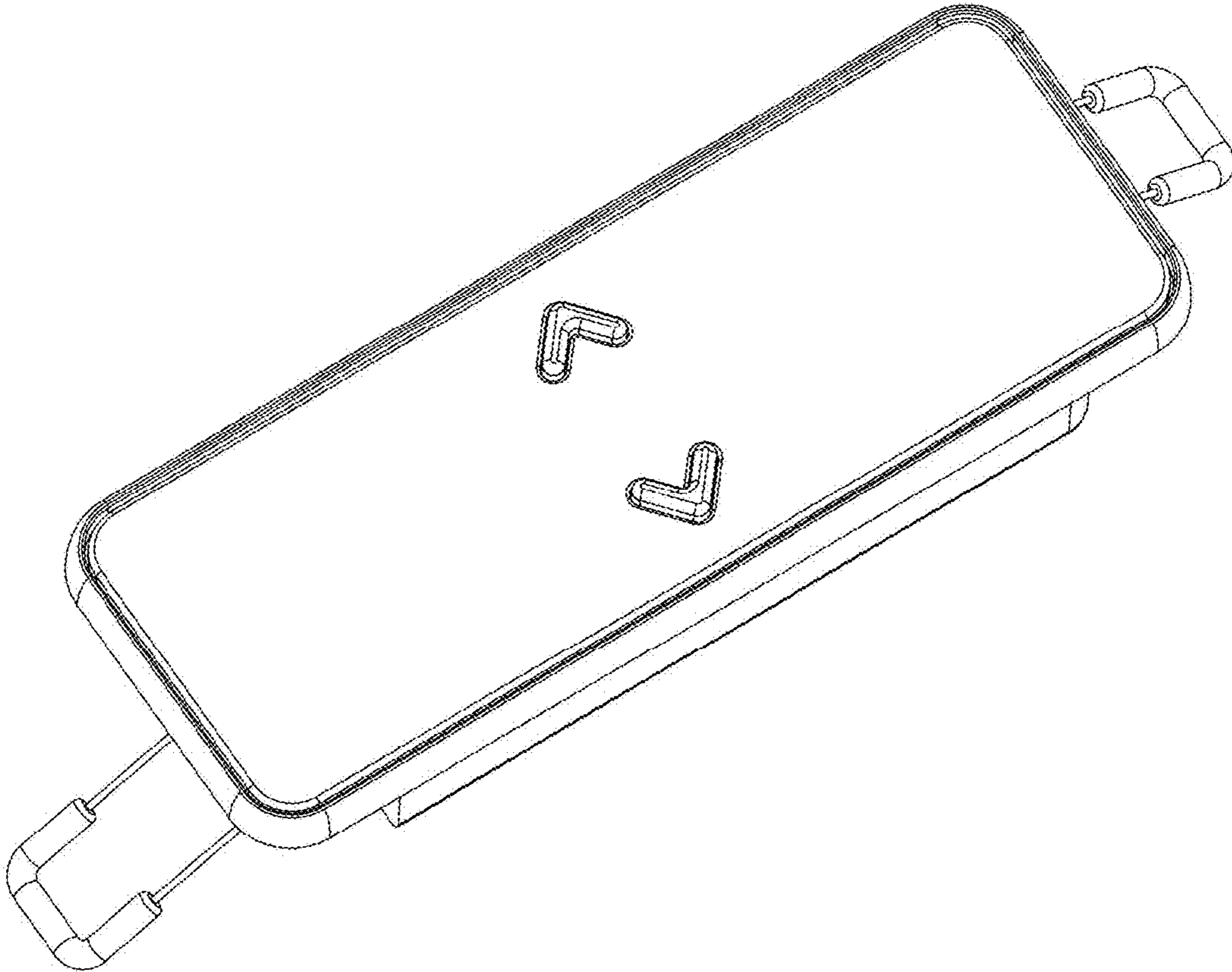


Fig. 7

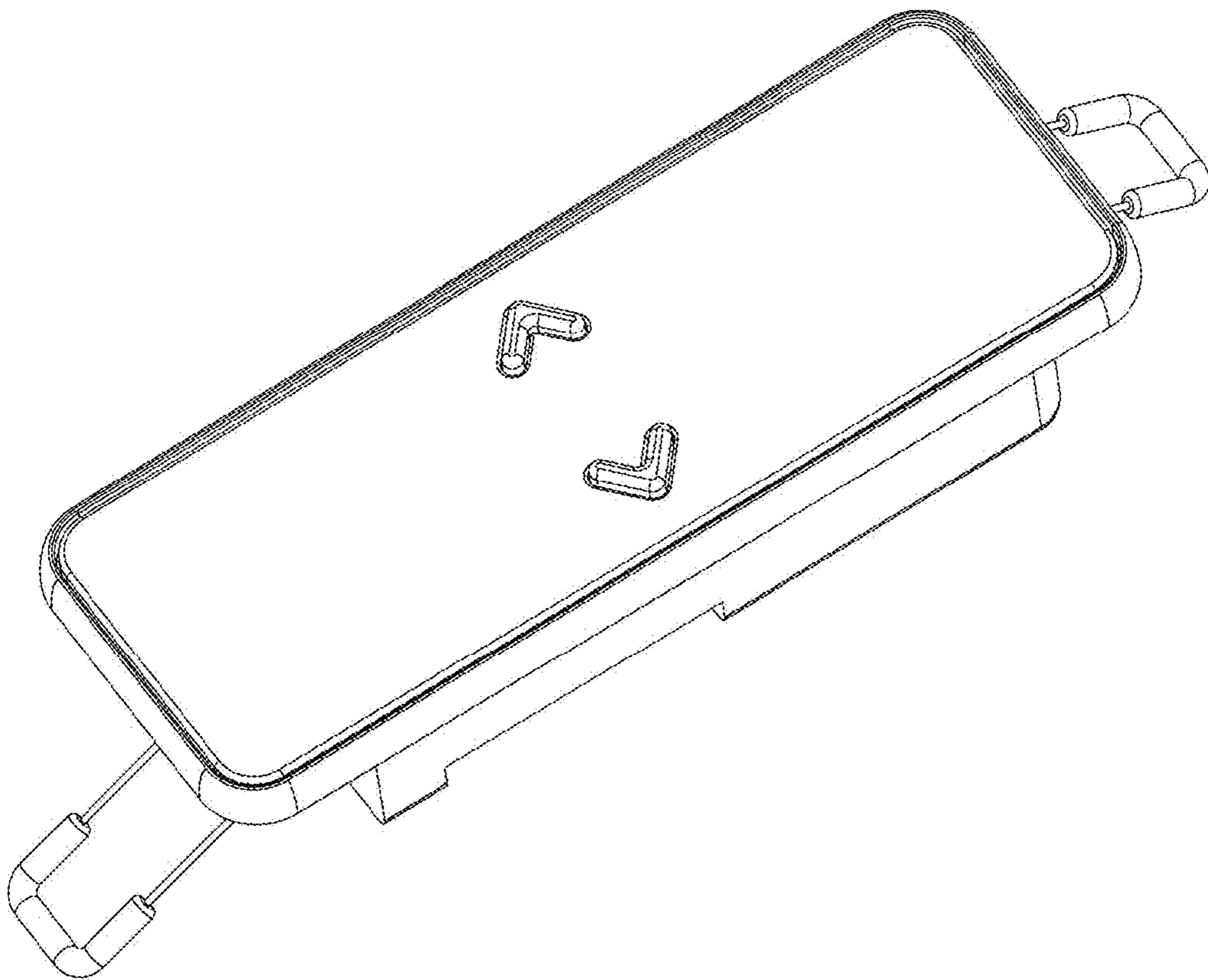


Fig. 8

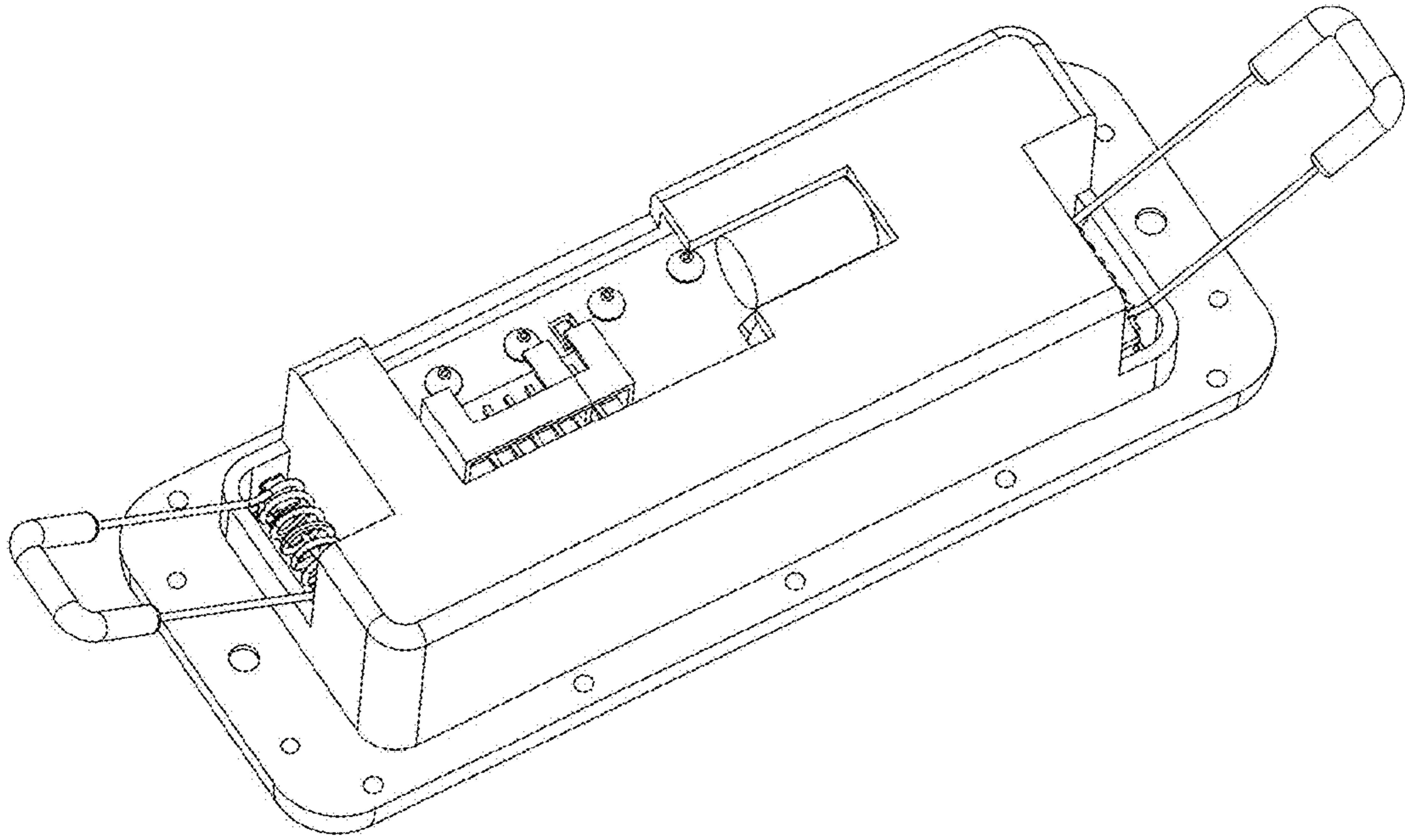


Fig. 9

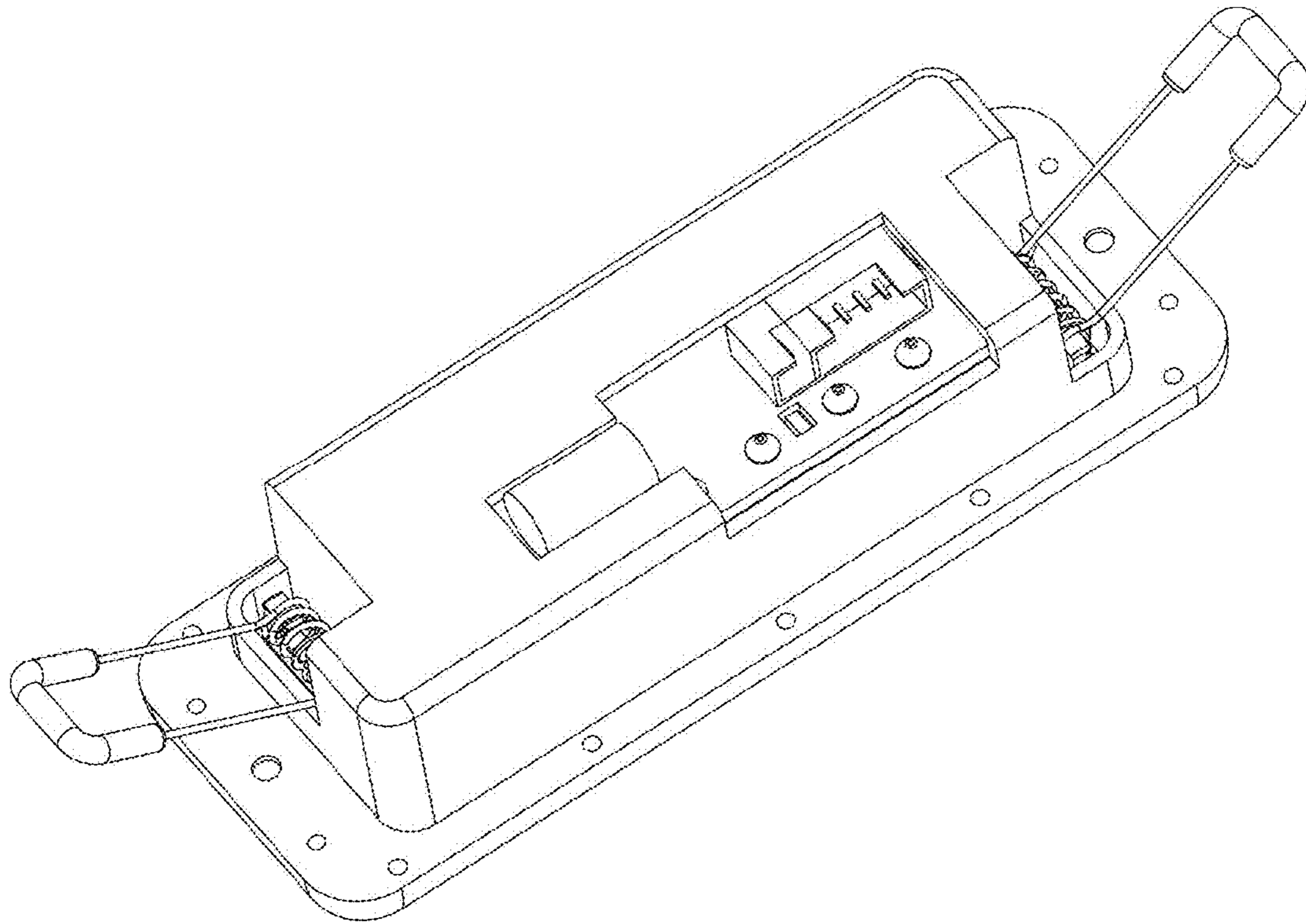


Fig. 10

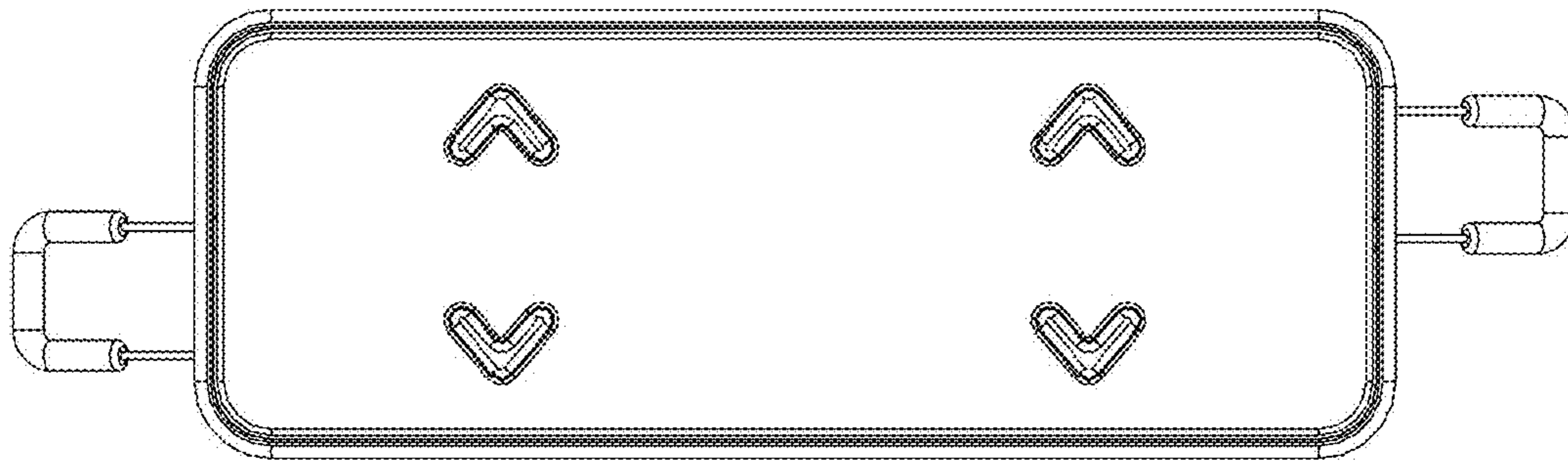


Fig. 11

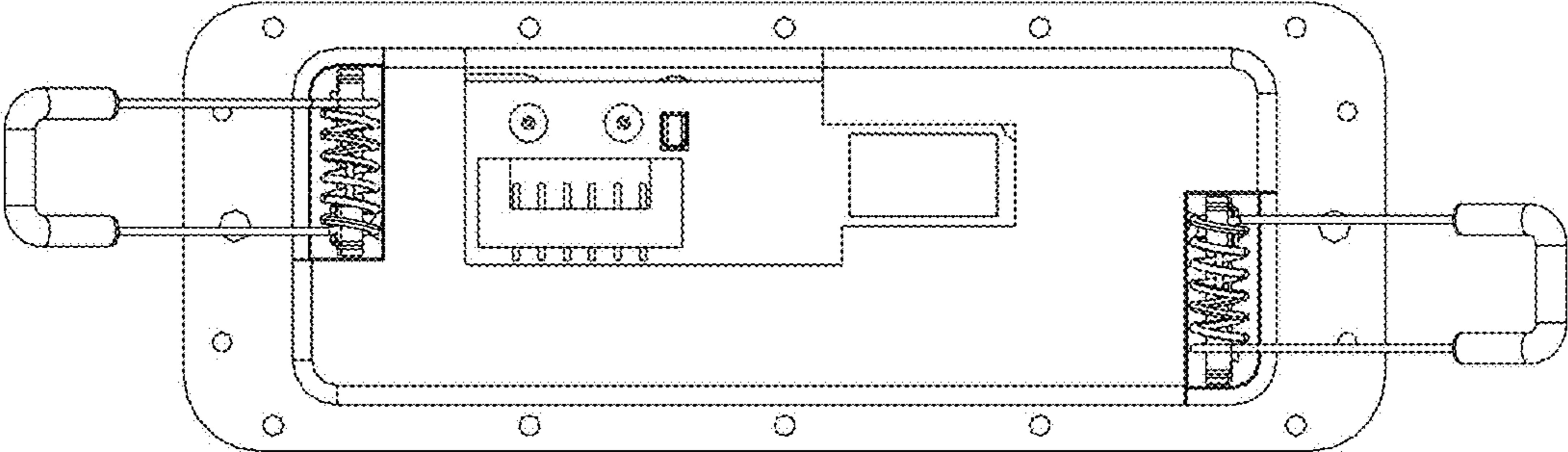


Fig. 12

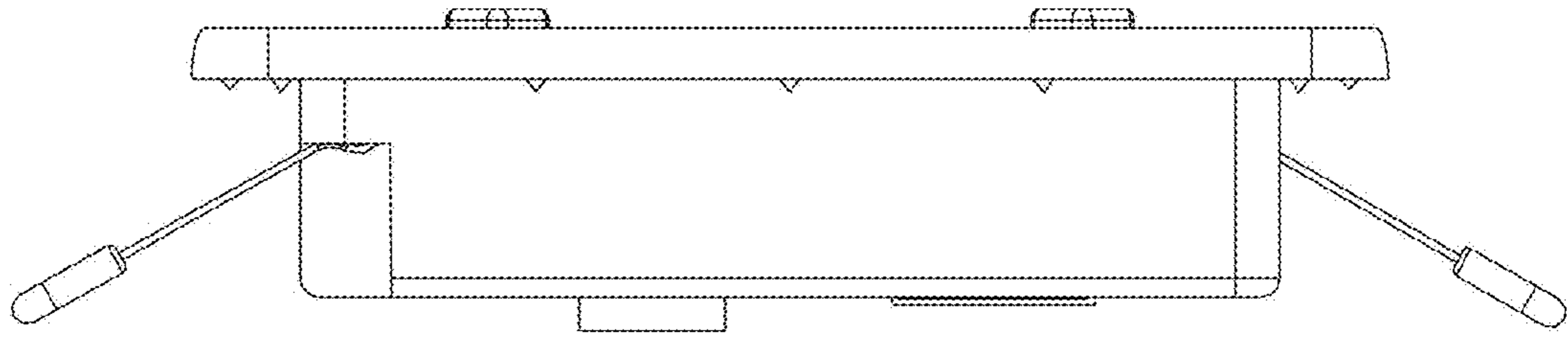


Fig. 13

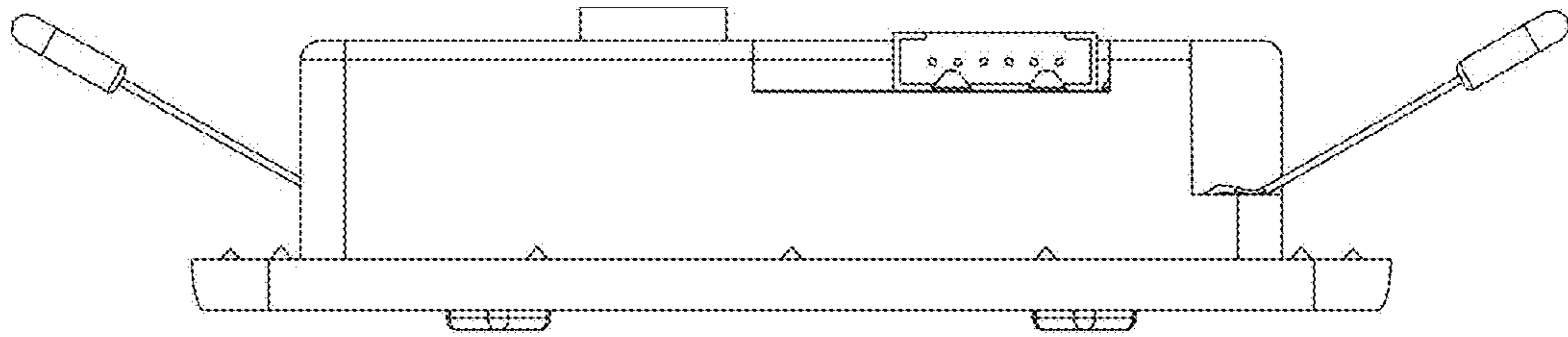


Fig. 14

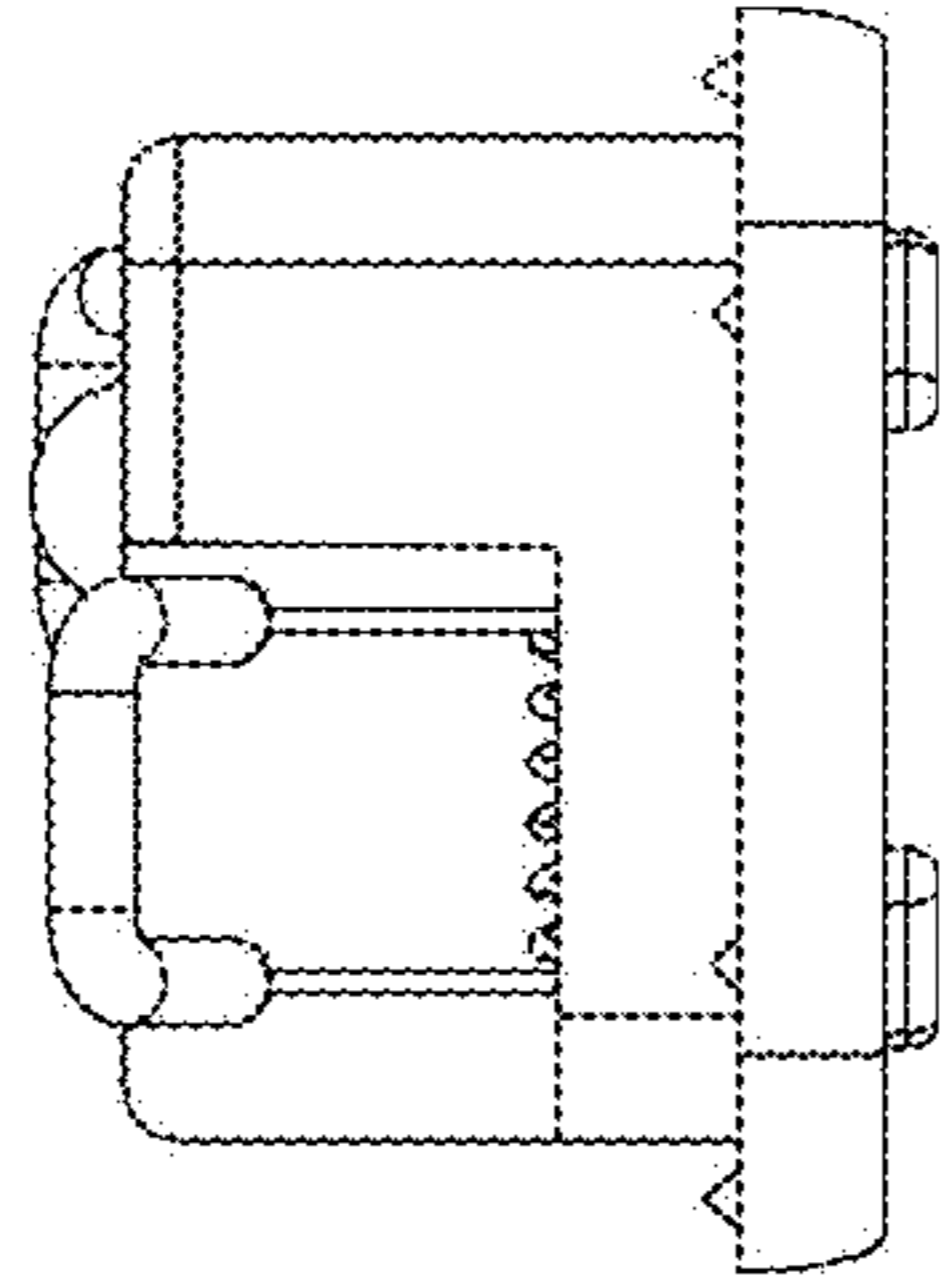


Fig. 15

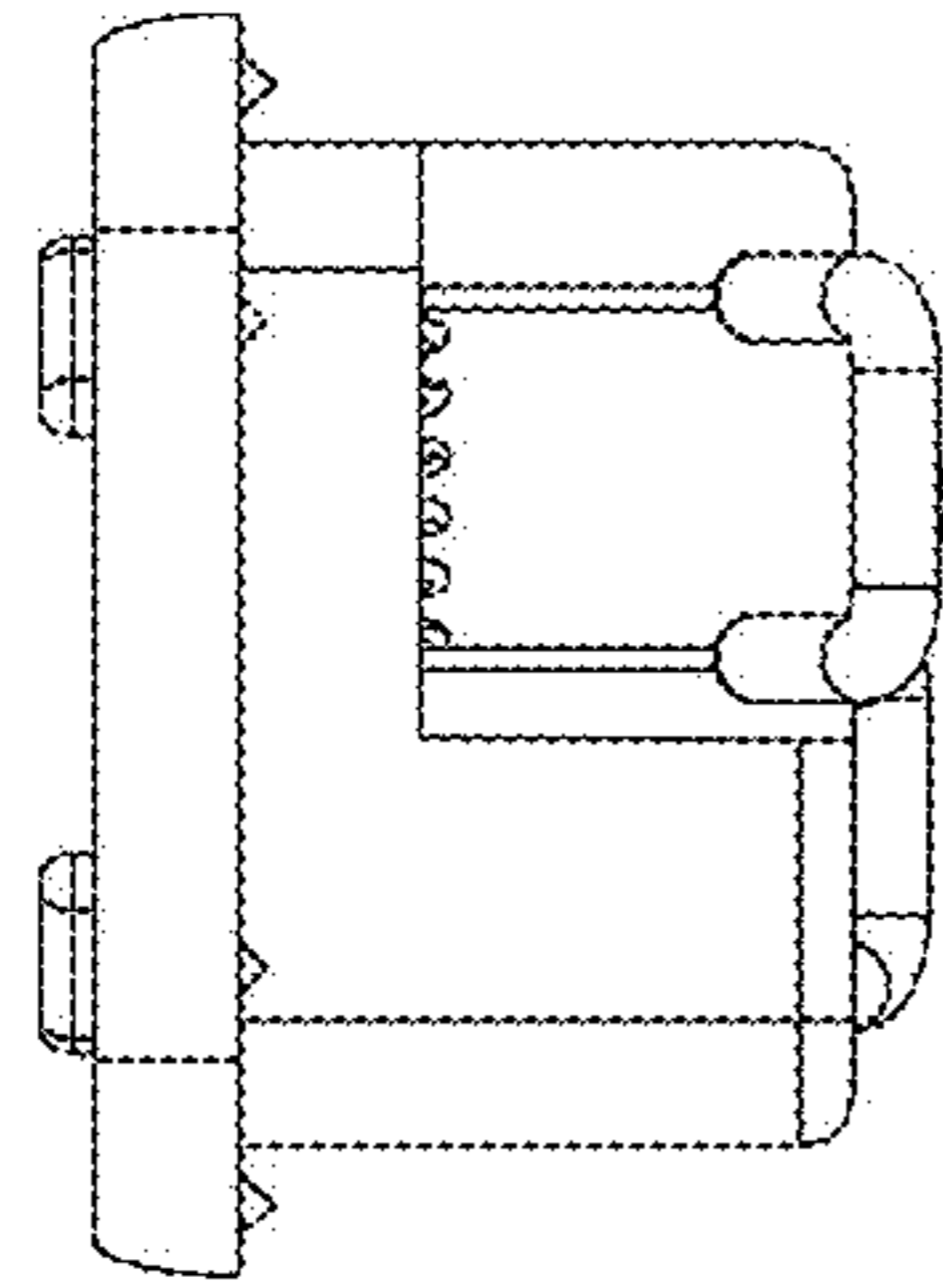


Fig. 16

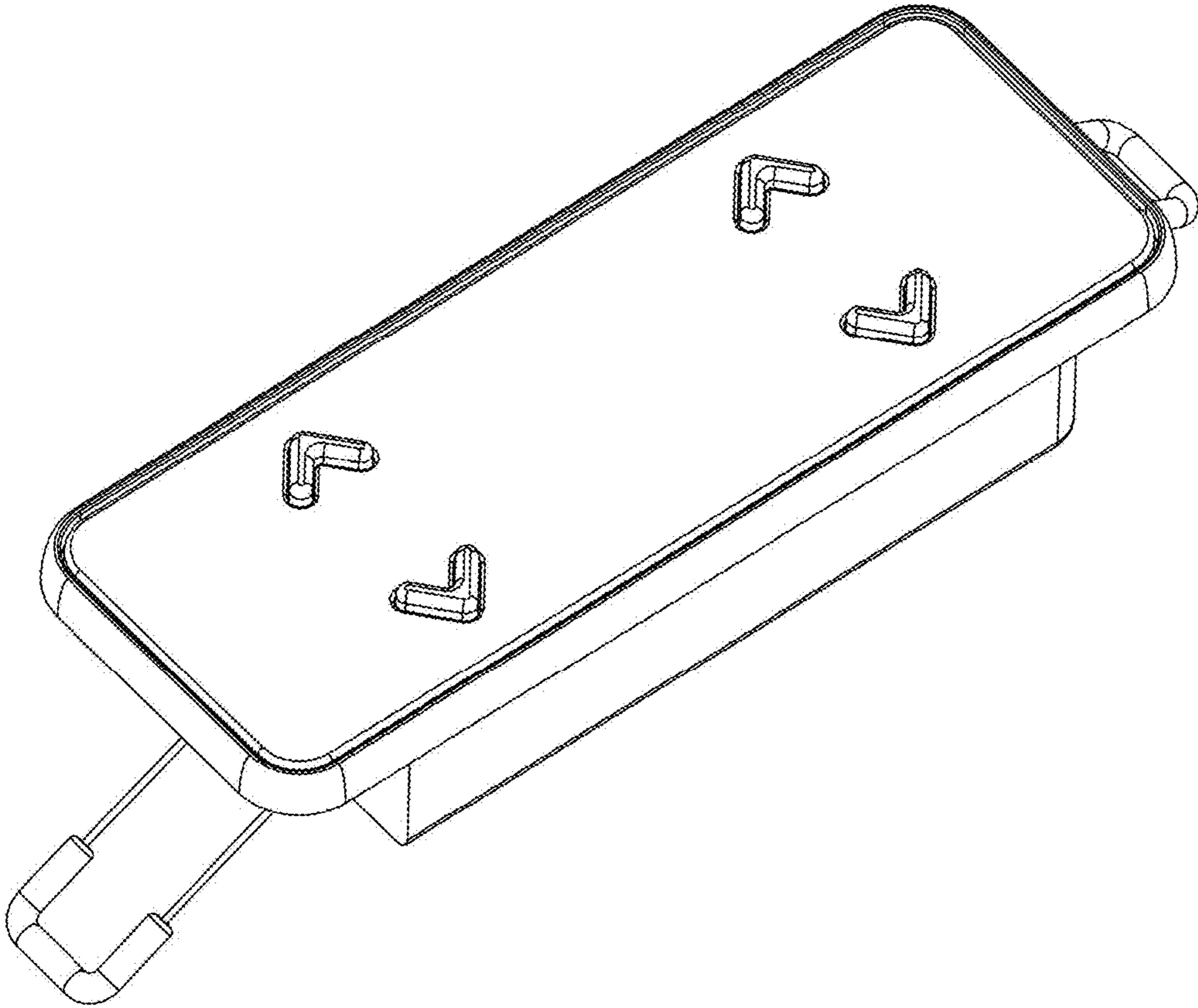


Fig. 17

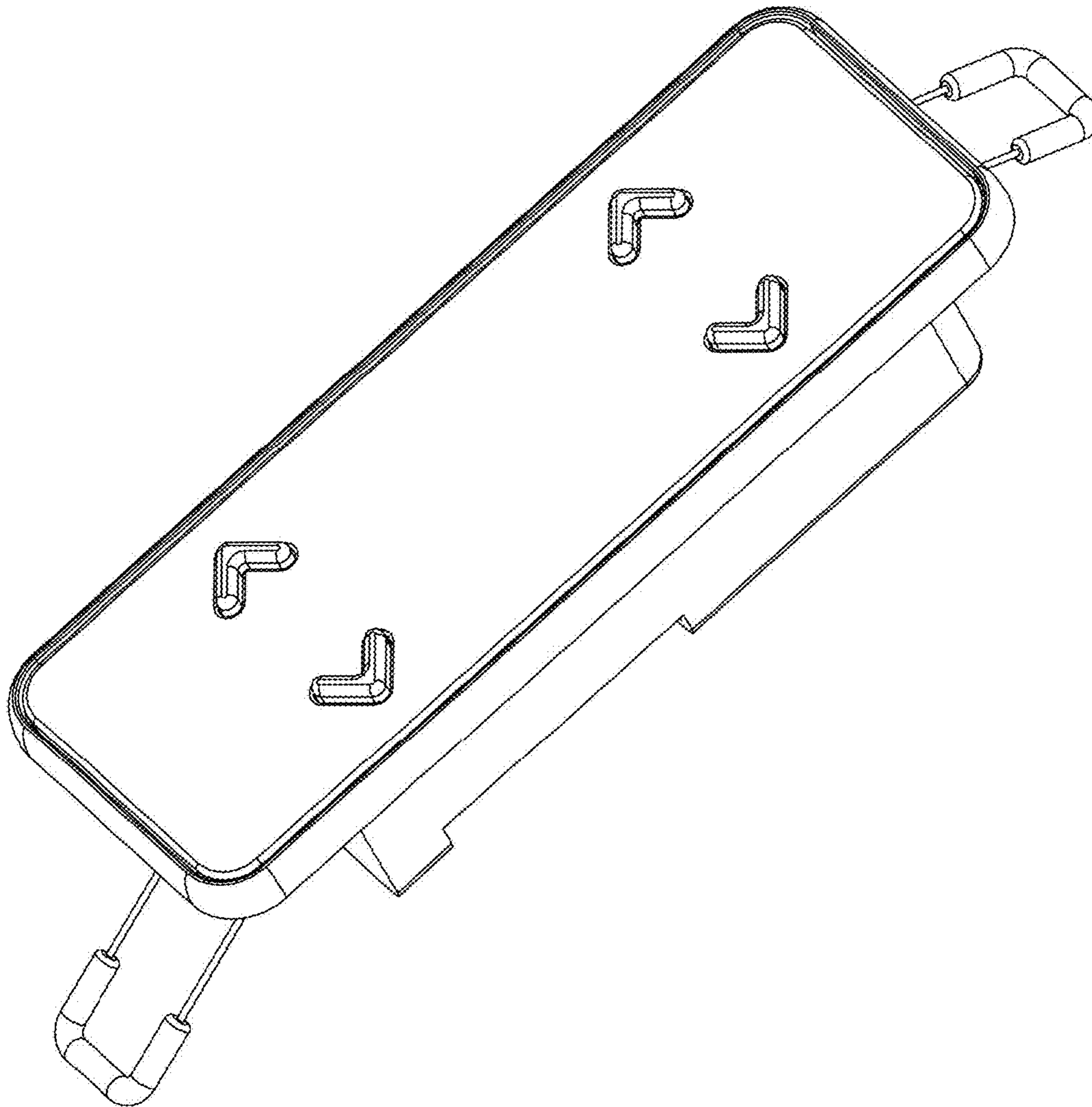


Fig. 18

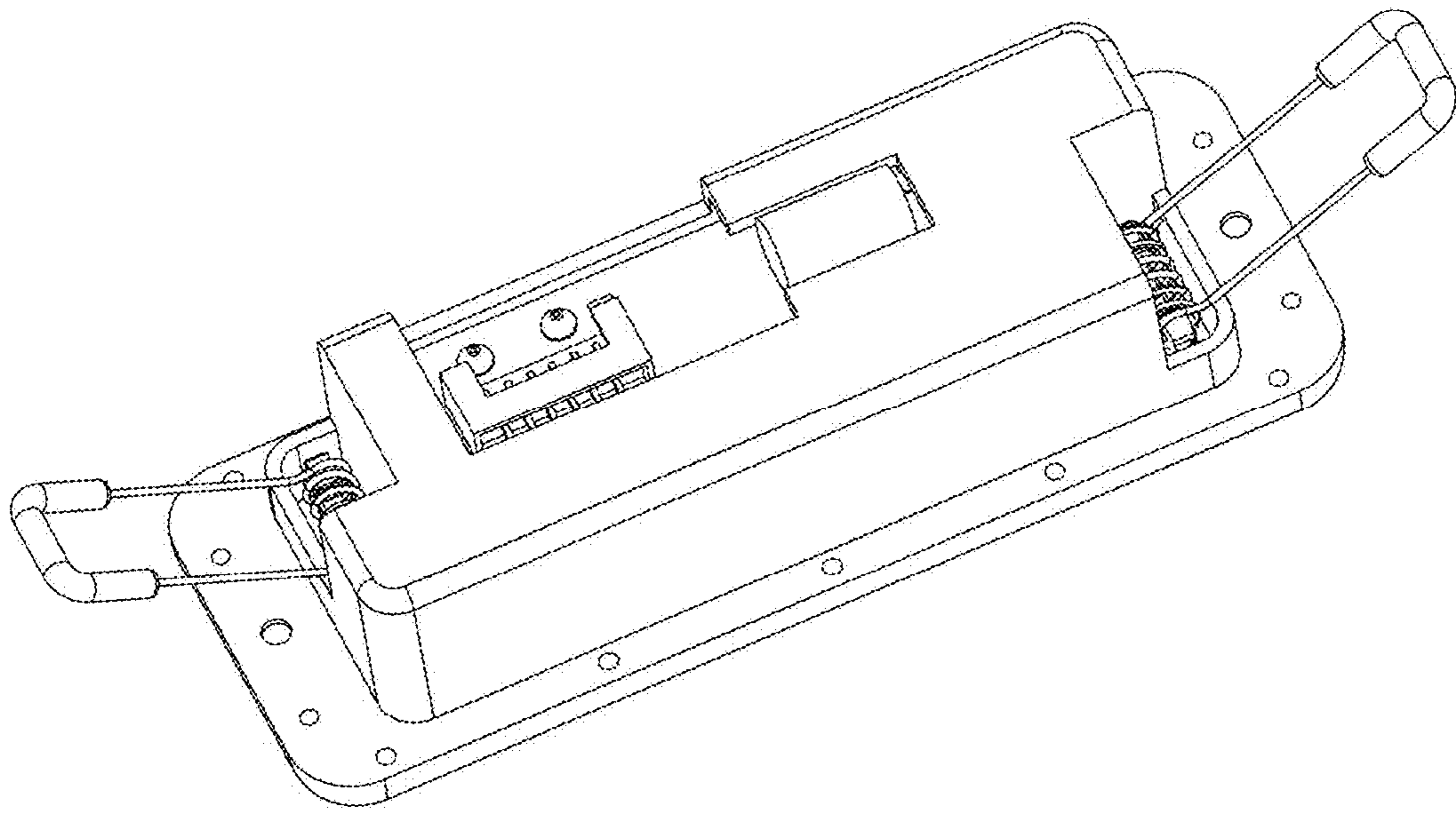


Fig. 19

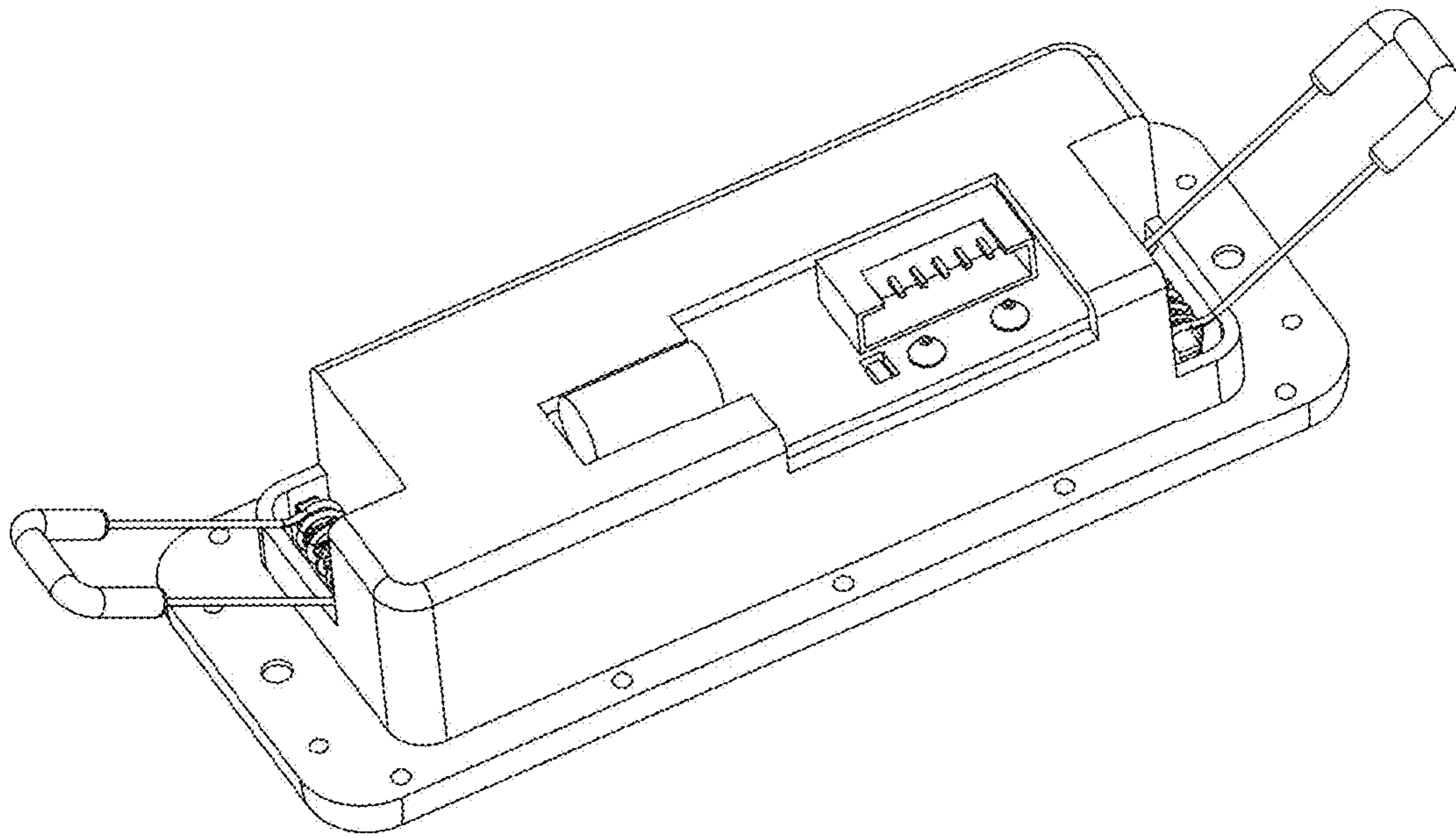


Fig. 20

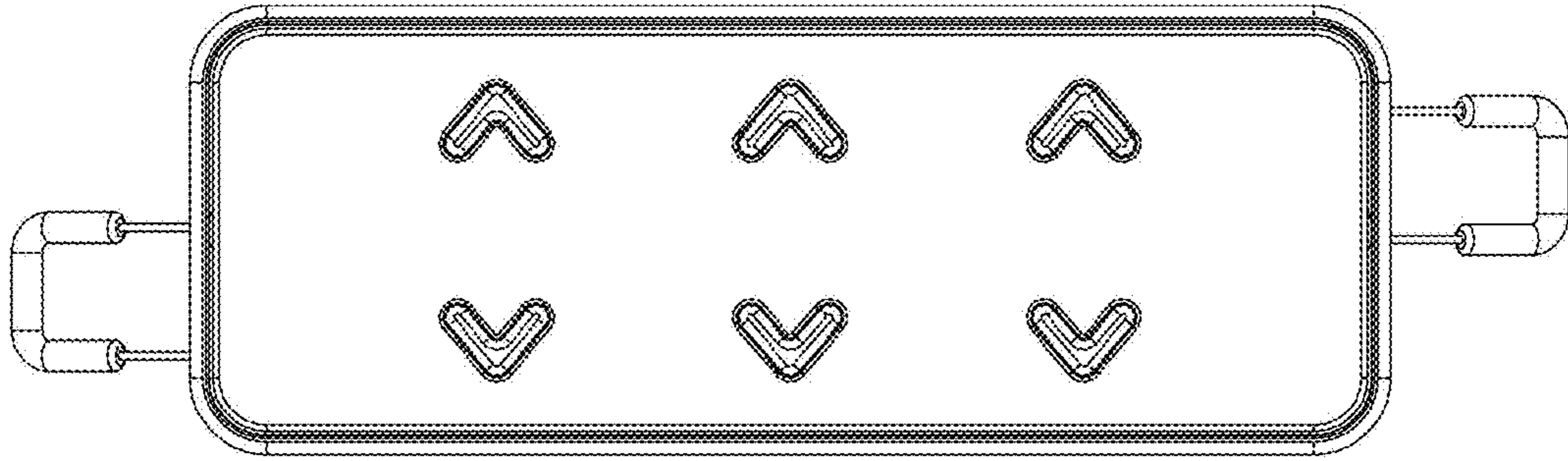


Fig. 21

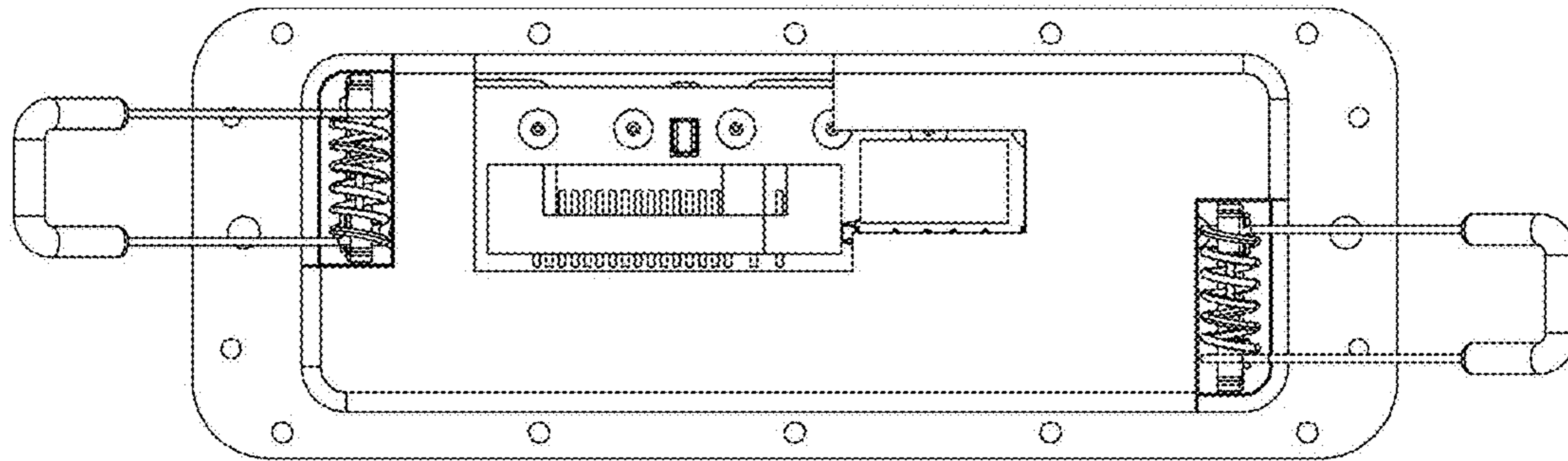


Fig. 22

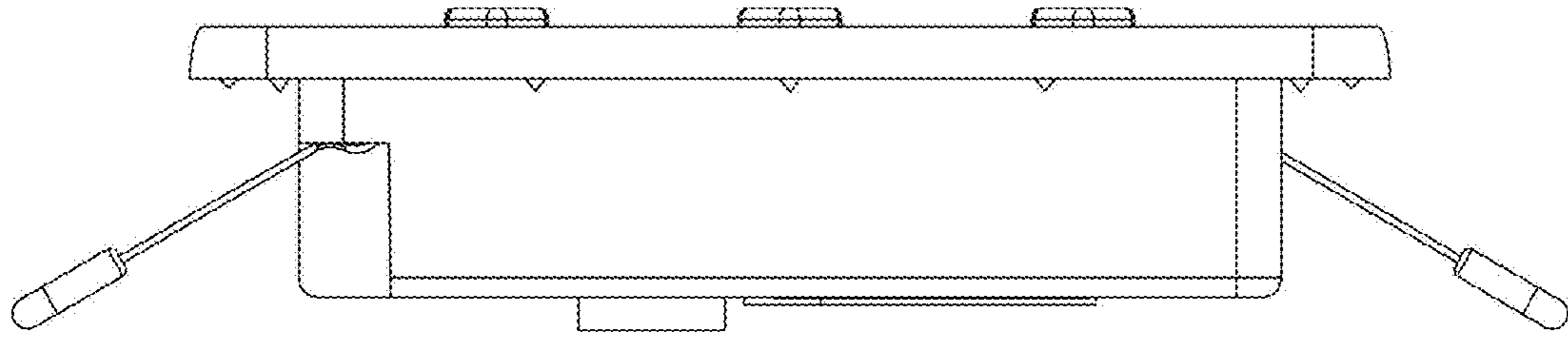


Fig. 23

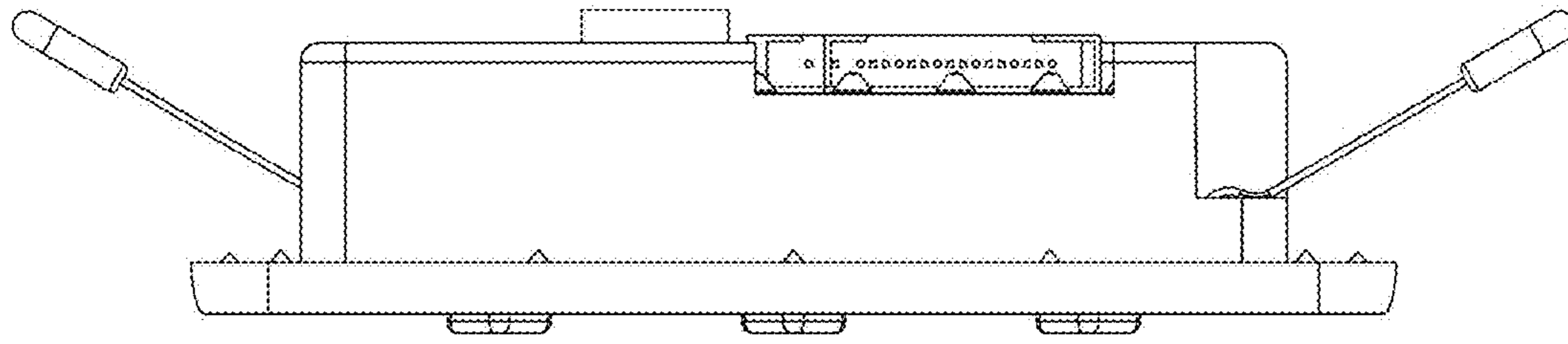


Fig. 24

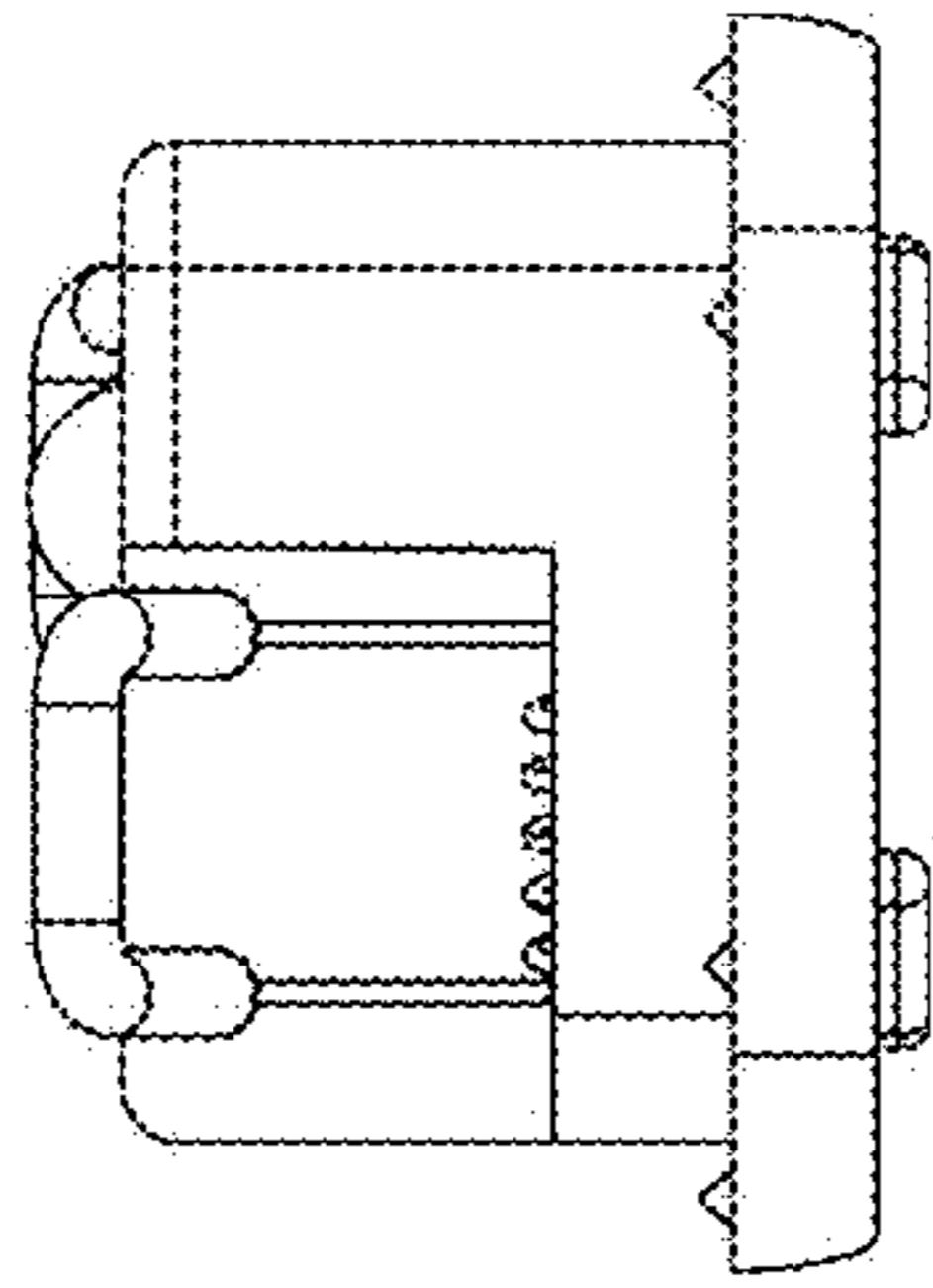


Fig. 25

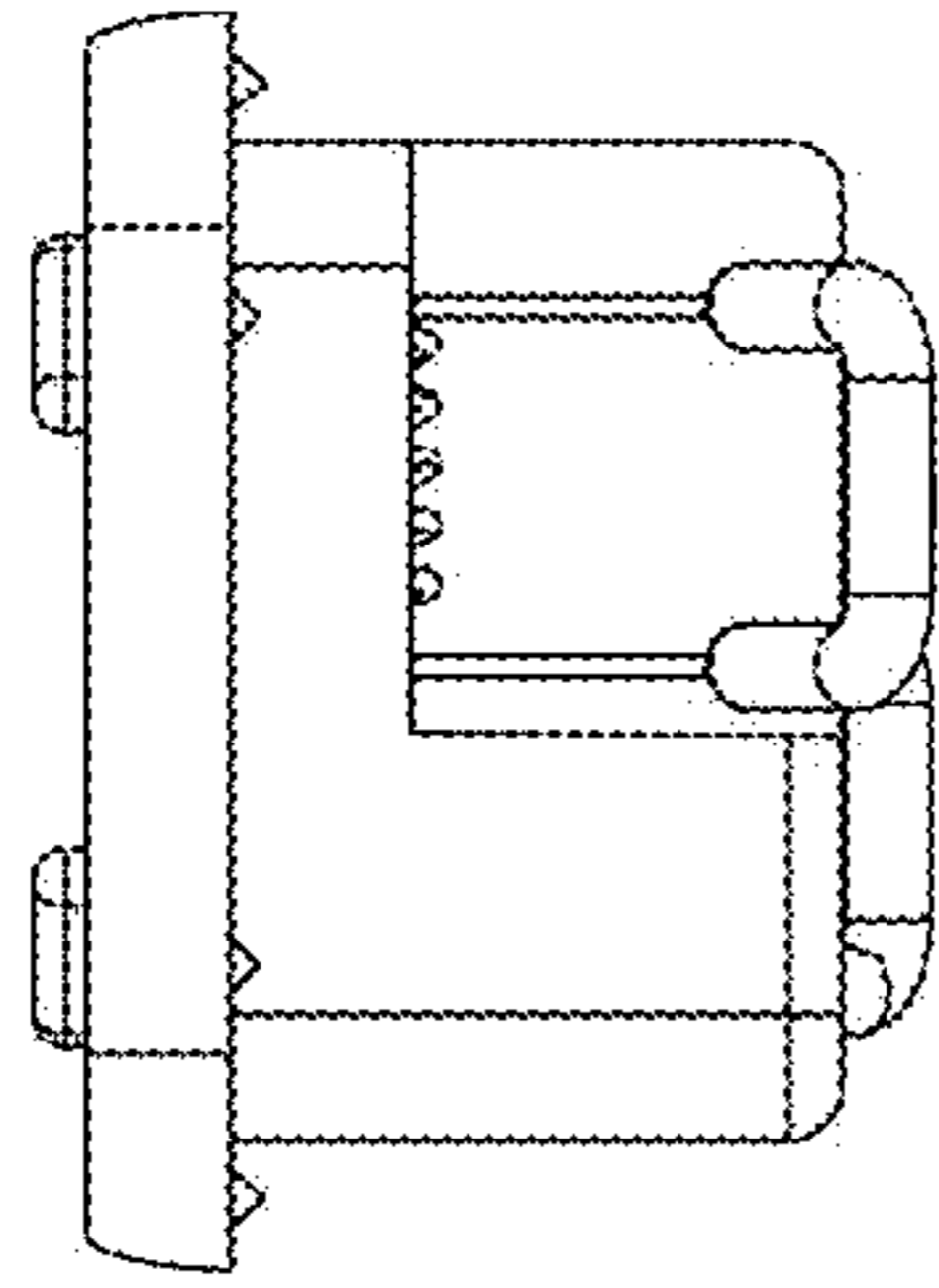


Fig. 26

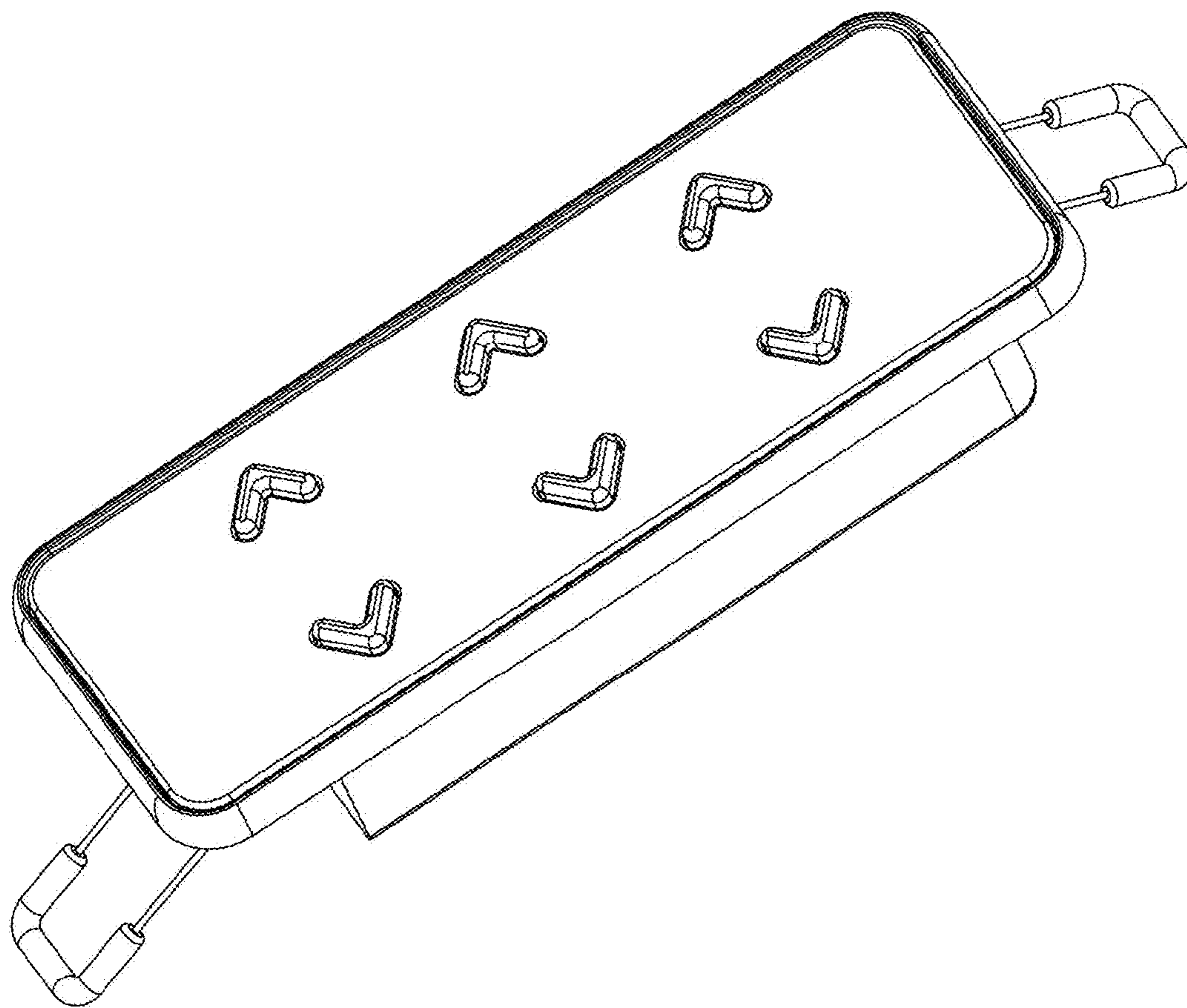


Fig. 27

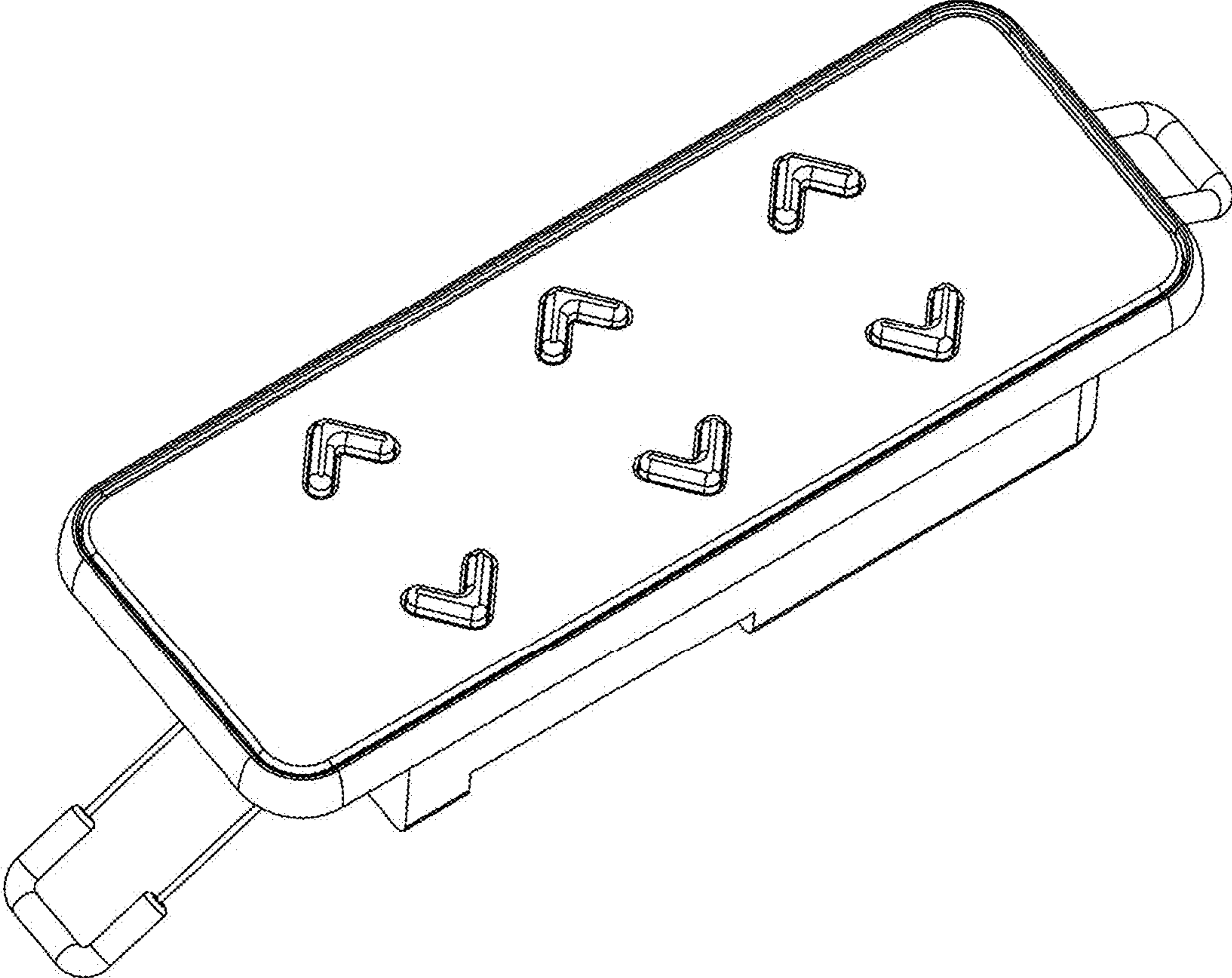


Fig. 28

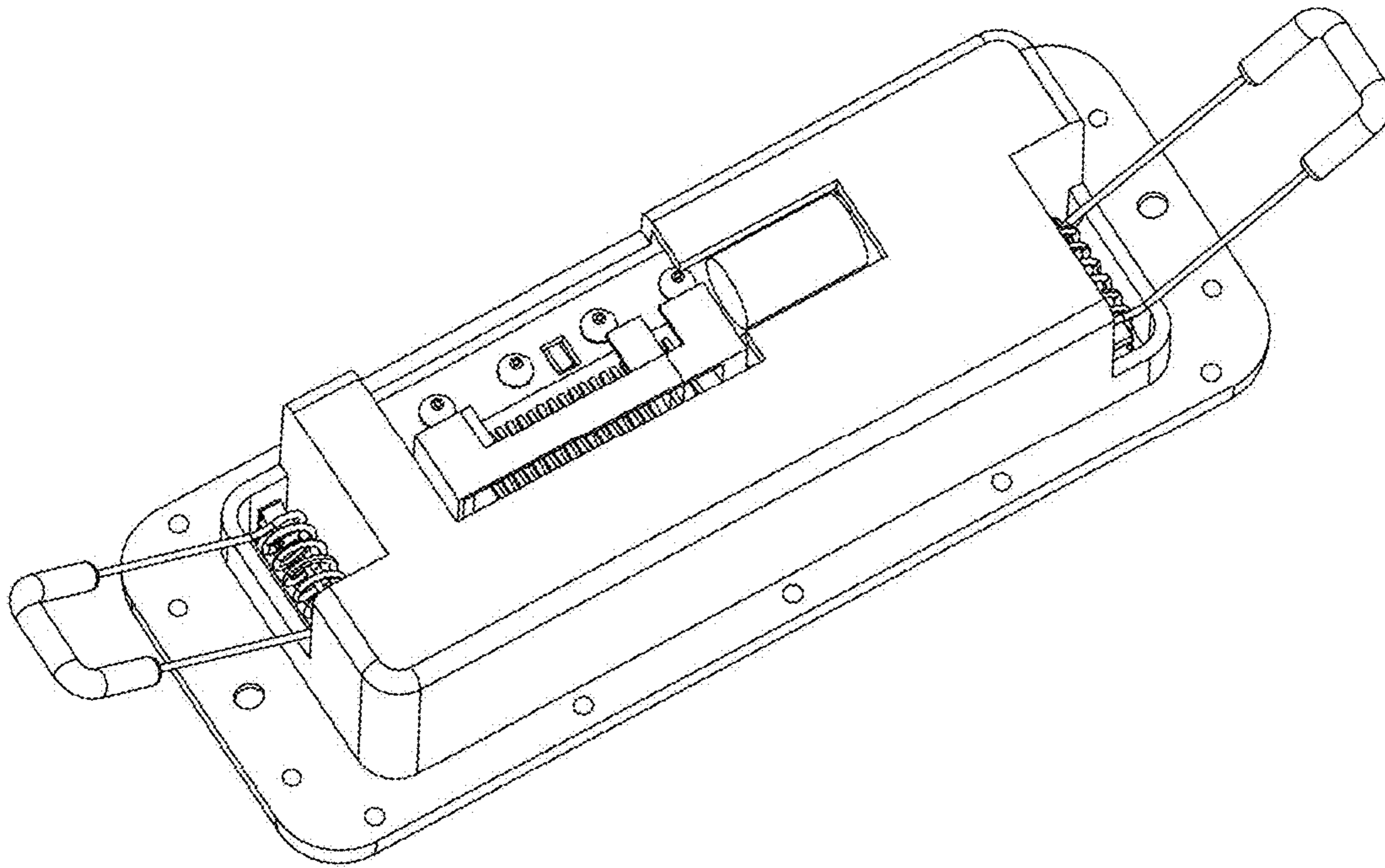


Fig. 29

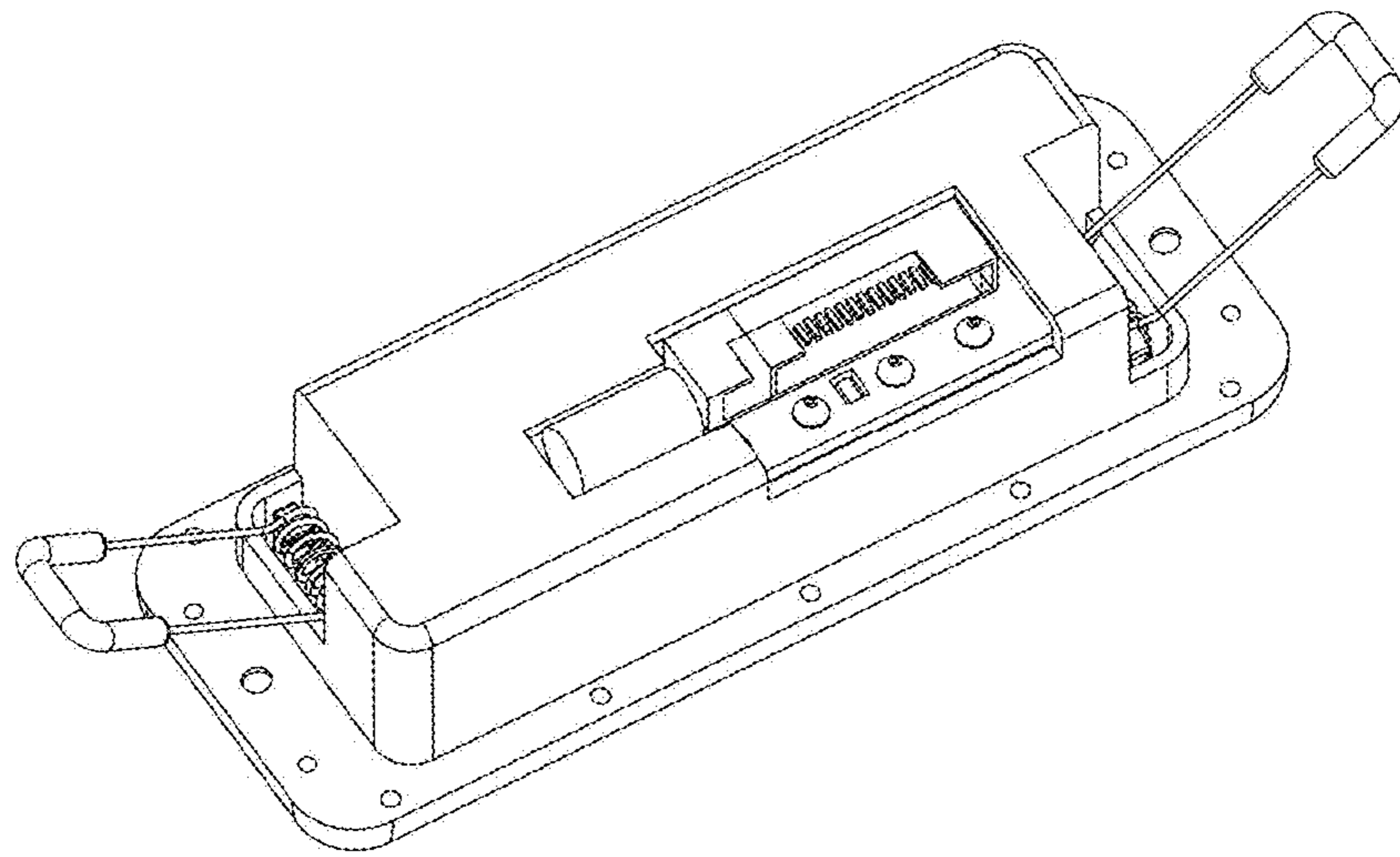


Fig. 30