



US00D784959S

(12) **United States Design Patent** (10) **Patent No.:** **US D784,959 S**
Ikonen et al. (45) **Date of Patent:** **** Apr. 25, 2017**

(54) **REMOTE CONTROL**

(71) Applicant: **Oticon A/S**, Smorum (DK)

(72) Inventors: **Kari Ikonen**, Jyväskylä (FI); **Toni Järvitalo**, Jyväskylä (FI); **Ville Pietikäinen**, Jyväskylä (FI); **Marko Reinikainen**, Jyväskylä (FI)

(73) Assignee: **OTICON A/S**, Smorum (DK)

(**) Term: **14 Years**

(21) Appl. No.: **29/511,503**

(22) Filed: **Dec. 11, 2014**

(30) **Foreign Application Priority Data**

Jun. 12, 2014 (EM) 002481127-0001

(51) **LOC (10) Cl.** **14-03**

(52) **U.S. Cl.**
USPC **D14/218**

(58) **Field of Classification Search**
USPC D14/218, 349, 480.5; D13/168, 173,
D13/162, 162.1, 166, 171, 174
CPC H04N 5/4403; H04N 5/765; G08C 23/04
See application file for complete search history.

(56) **References Cited**

U.S. PATENT DOCUMENTS

3,185,803 A * 5/1965 Driscoll H01H 13/12
200/296
D254,001 S * 1/1980 Mayo D13/125
D299,591 S * 1/1989 Matsuda D10/104.1
D306,853 S * 3/1990 Mayo D13/165
D309,890 S * 8/1990 Cheng D13/165
D312,072 S * 11/1990 Bergeron D13/168
D334,043 S * 3/1993 Taniguchi D14/218
D372,145 S * 7/1996 Elmer D3/218
D375,696 S * 11/1996 Seki D10/104.1
D376,114 S * 12/1996 Seki D10/104.1
D377,458 S * 1/1997 Tsui D10/104.1

D407,695 S * 4/1999 Hwang D13/168
D450,313 S * 11/2001 Koinuma D14/218
D514,590 S * 2/2006 Naruki D14/203.3
D546,782 S * 7/2007 Poulet D13/168
D556,701 S * 12/2007 Nohara D13/168
D560,617 S * 1/2008 Poulet D13/158

(Continued)

FOREIGN PATENT DOCUMENTS

CN 301877363 * 4/2012
CN 302594302 * 10/2013
EM 2060822-0001 * 4/2013
JP D1494989 * 4/2014

OTHER PUBLICATIONS

Linak HB80 Handset, copyright 2014, online, site visited Nov. 12, 2015 http://www.linak.com/corporate/pdf/english/data%20sheet/control_hb80_data%20sheet_eng.pdf.*

(Continued)

Primary Examiner — John Windmuller

Assistant Examiner — John R Yeh

(74) *Attorney, Agent, or Firm* — Birch, Stewart, Kolasch & Birch, LLP

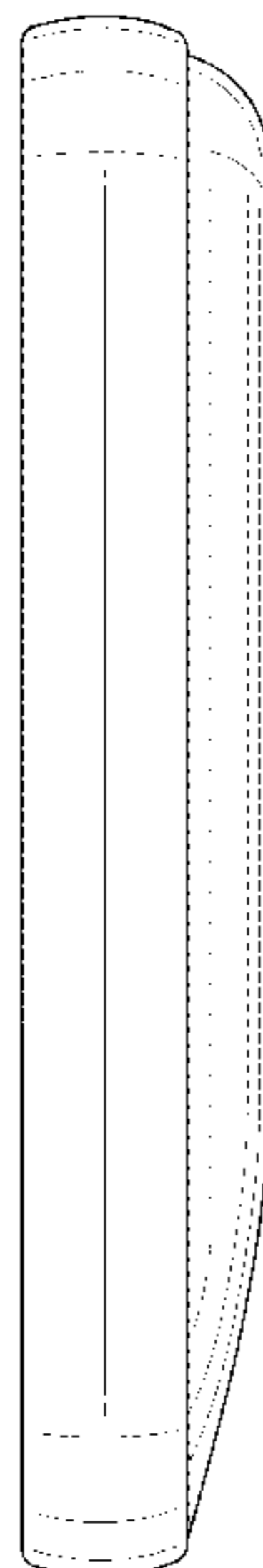
(57) **CLAIM**

The ornamental design for a remote control, as shown and described.

DESCRIPTION

FIG. 1 is a top view of the remote control;
FIG. 2 is a bottom view of the remote control;
FIG. 3 is a front view of the remote control;
FIG. 4 is a rear view of the remote control;
FIG. 5 is a perspective view of the remote control;
FIG. 6 is a left side view of the remote control;
FIG. 7 is a right side view of the remote control; and,
FIG. 8 is a second perspective view of the remote control.

1 Claim, 8 Drawing Sheets



(56)

References Cited

U.S. PATENT DOCUMENTS

D569,813	S	*	5/2008	Charleux	D13/168
D584,695	S	*	1/2009	Hilsbos	D13/168
D596,623	S	*	7/2009	Laine	D14/218
D614,171	S	*	4/2010	Son	D14/218
D621,795	S	*	8/2010	Tsui	D13/171
D624,880	S	*	10/2010	Felegy, Jr.	D13/168
D635,102	S	*	3/2011	Tsui	D13/171
D641,717	S	*	7/2011	Nan	D13/168
D660,809	S	*	5/2012	Kern Koskela	D13/168
D670,658	S	*	11/2012	Iliffe-Moon	D13/168
D672,753	S	*	12/2012	Kadivar	D14/218
D688,214	S	*	8/2013	Ducret	D13/168
D698,674	S	*	2/2014	Mattsson	D10/78
8,695,934	B2	*	4/2014	Jensen	F16M 13/02 248/205.1
D704,152	S	*	5/2014	Altonen	D13/168
D710,808	S	*	8/2014	Charleux	D13/168
D713,820	S	*	9/2014	O'Neil	D14/218

OTHER PUBLICATIONS

Remote control—Bernafon, LLC USA, website copyright 2015, online, http://www.bernafon-us.com/Consumers/OurProducts/en-us_Cons_Accessories/en-us_Cons_RemoteControls/Prof_Accessories_RemoteControls.aspx, site visited [Nov. 12, 2015 9:56:48 PM].*

* cited by examiner

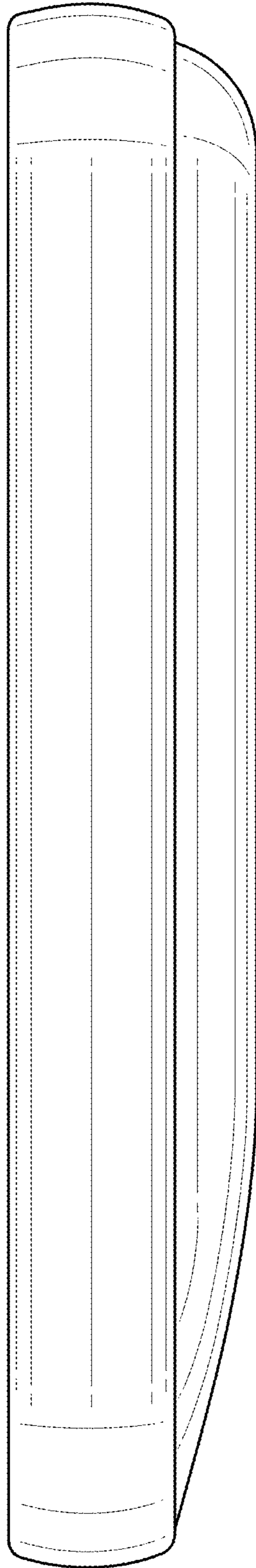


FIG. 1

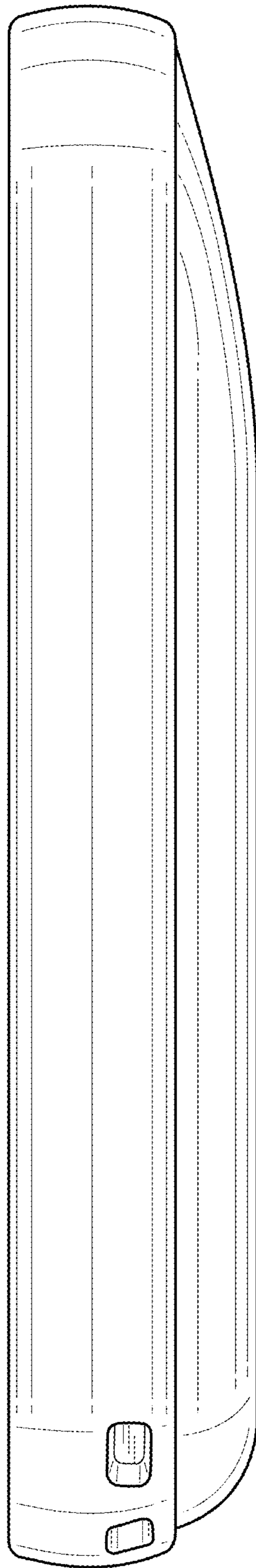


FIG. 2

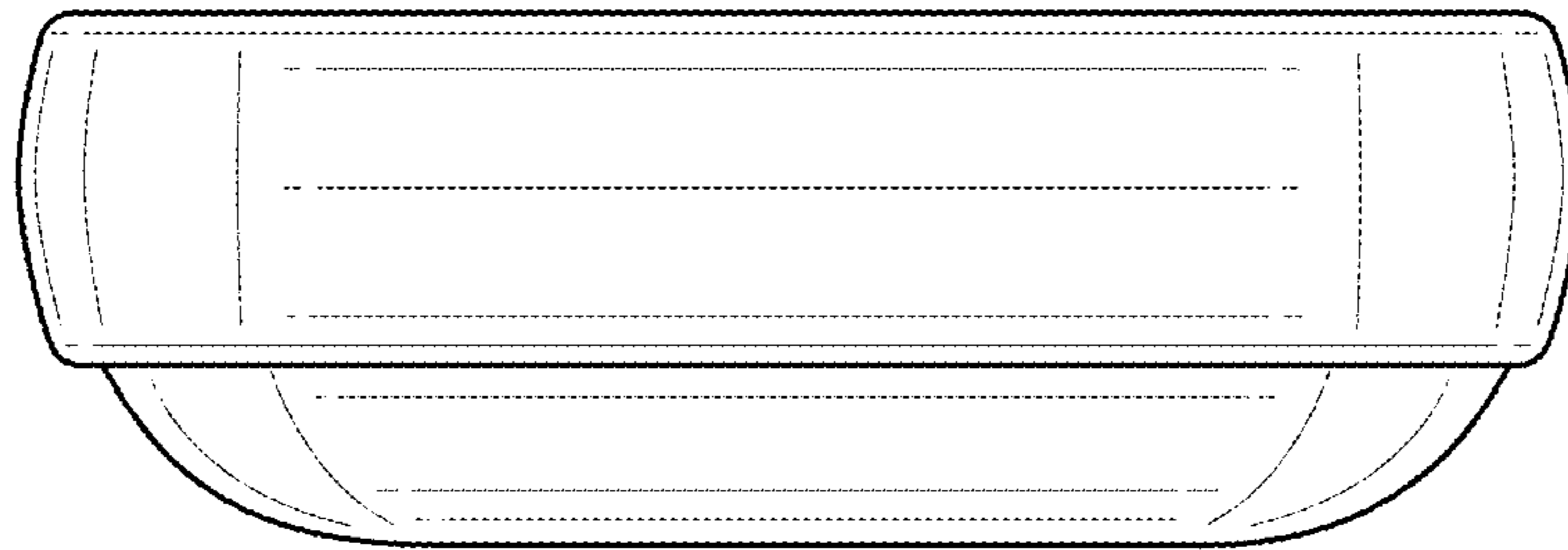


FIG. 3

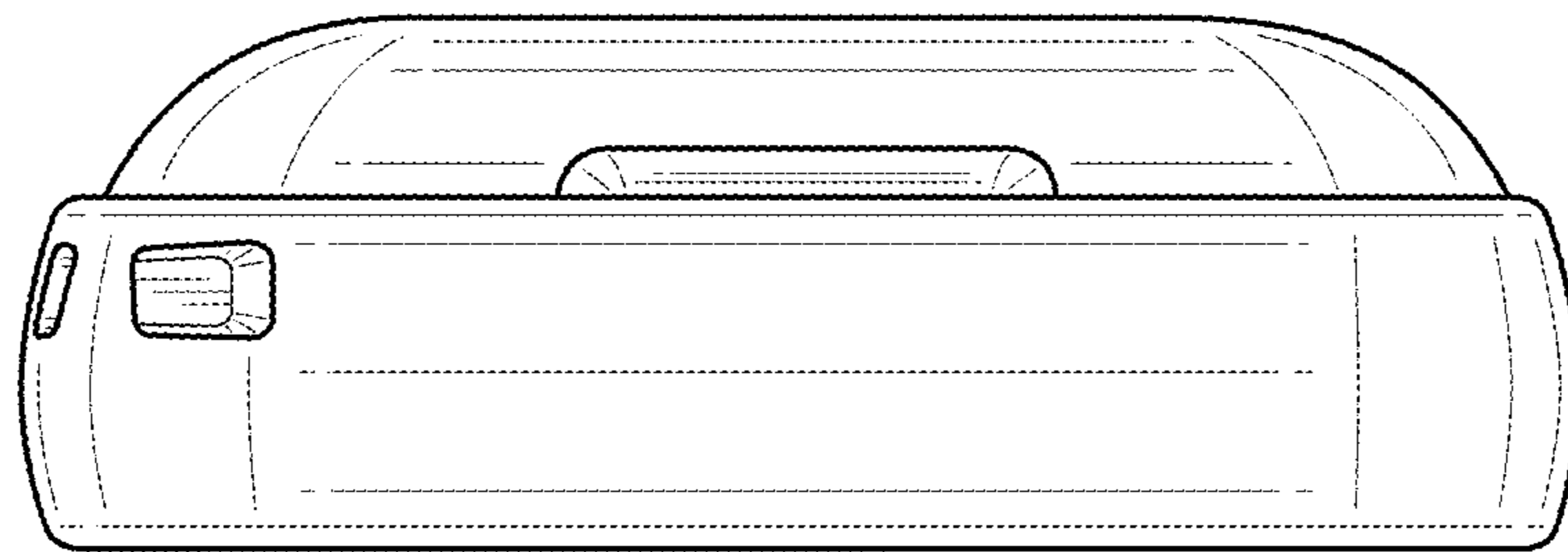


FIG. 4

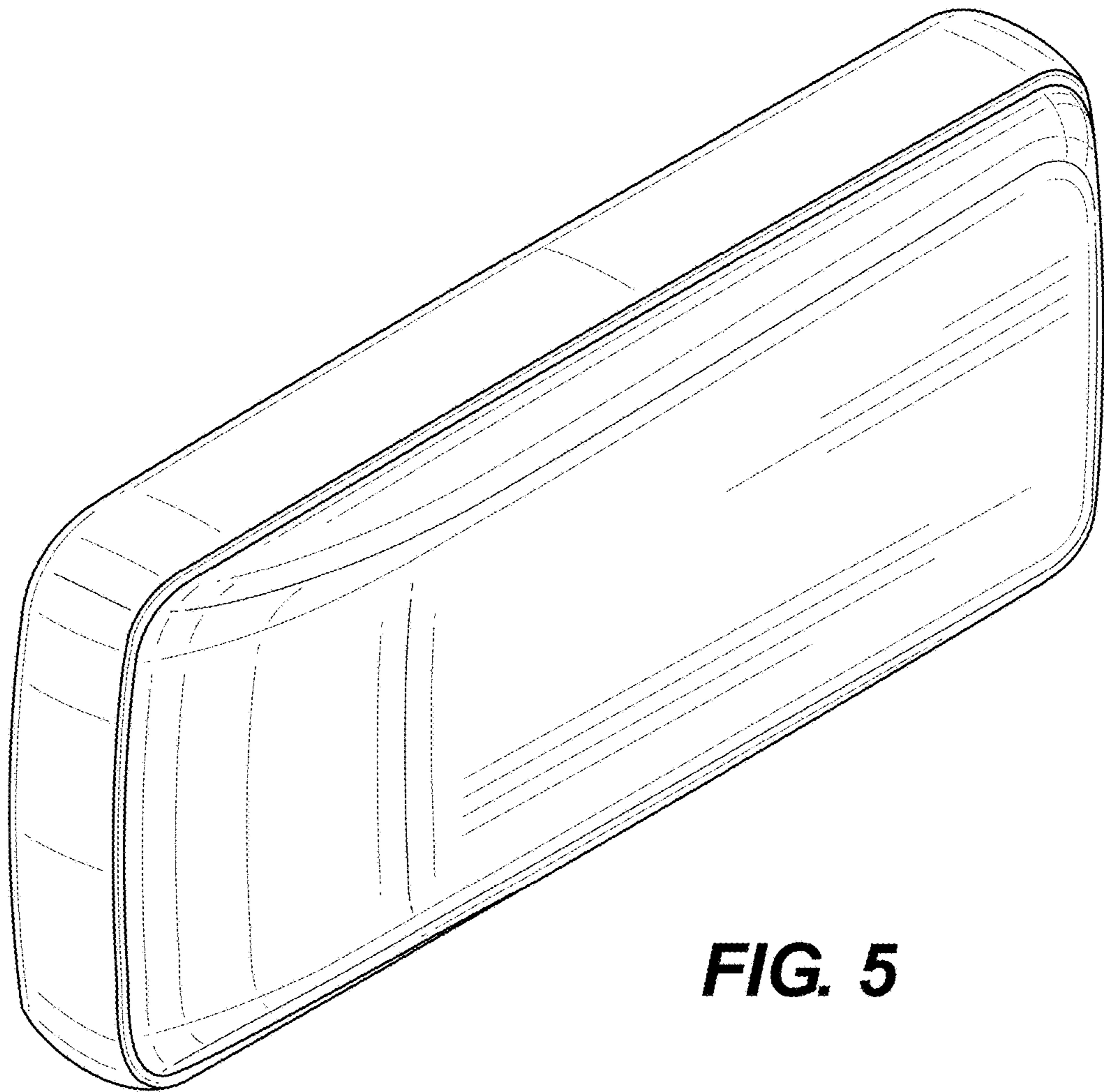


FIG. 5

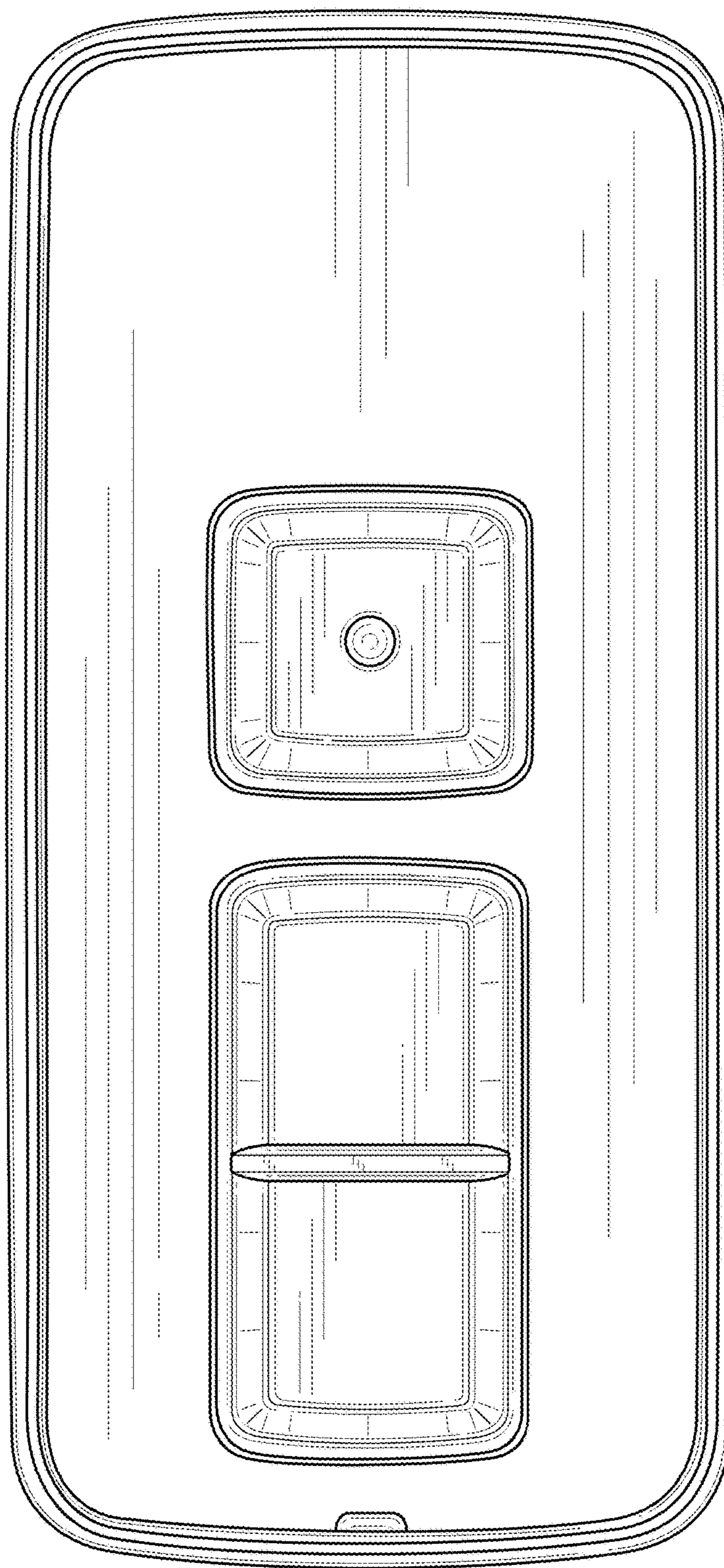


FIG. 6

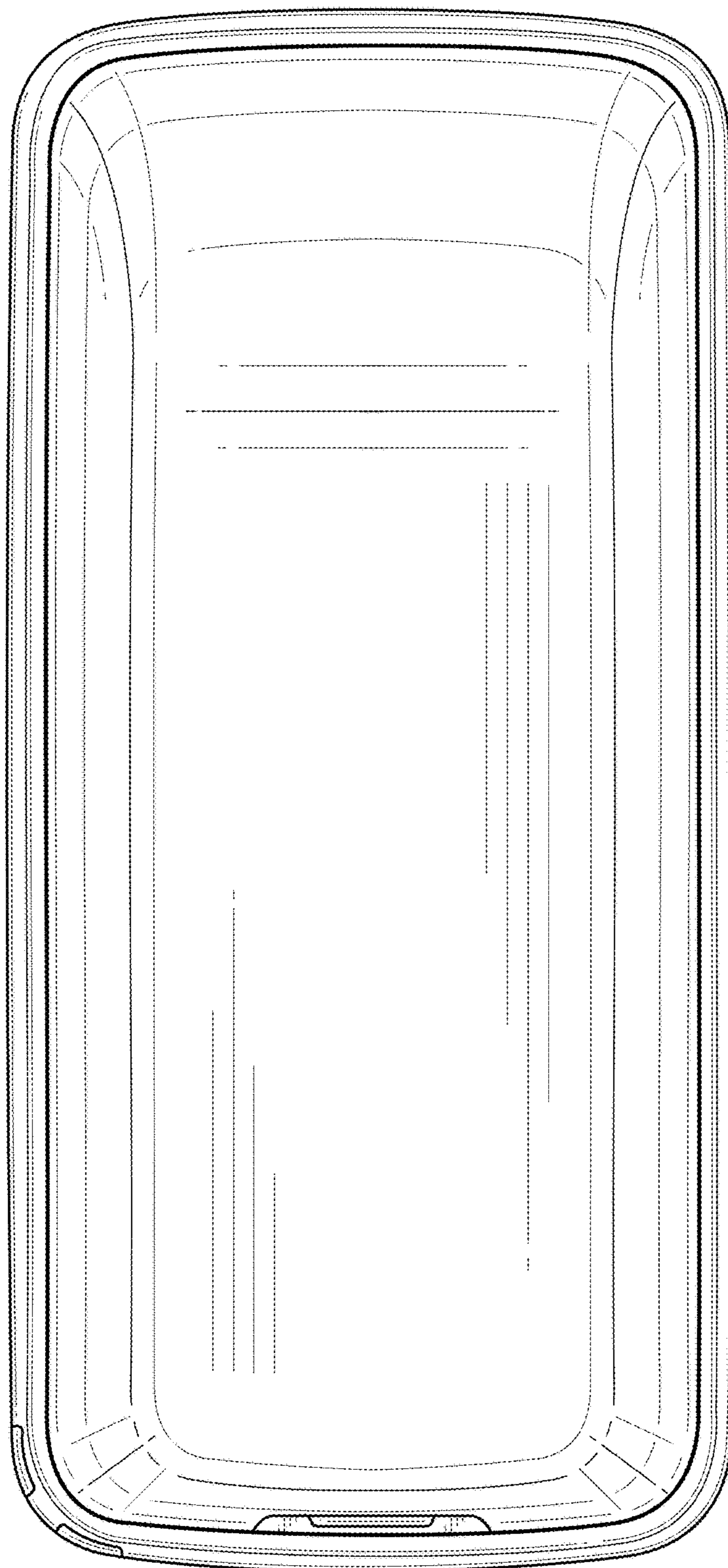


FIG. 7

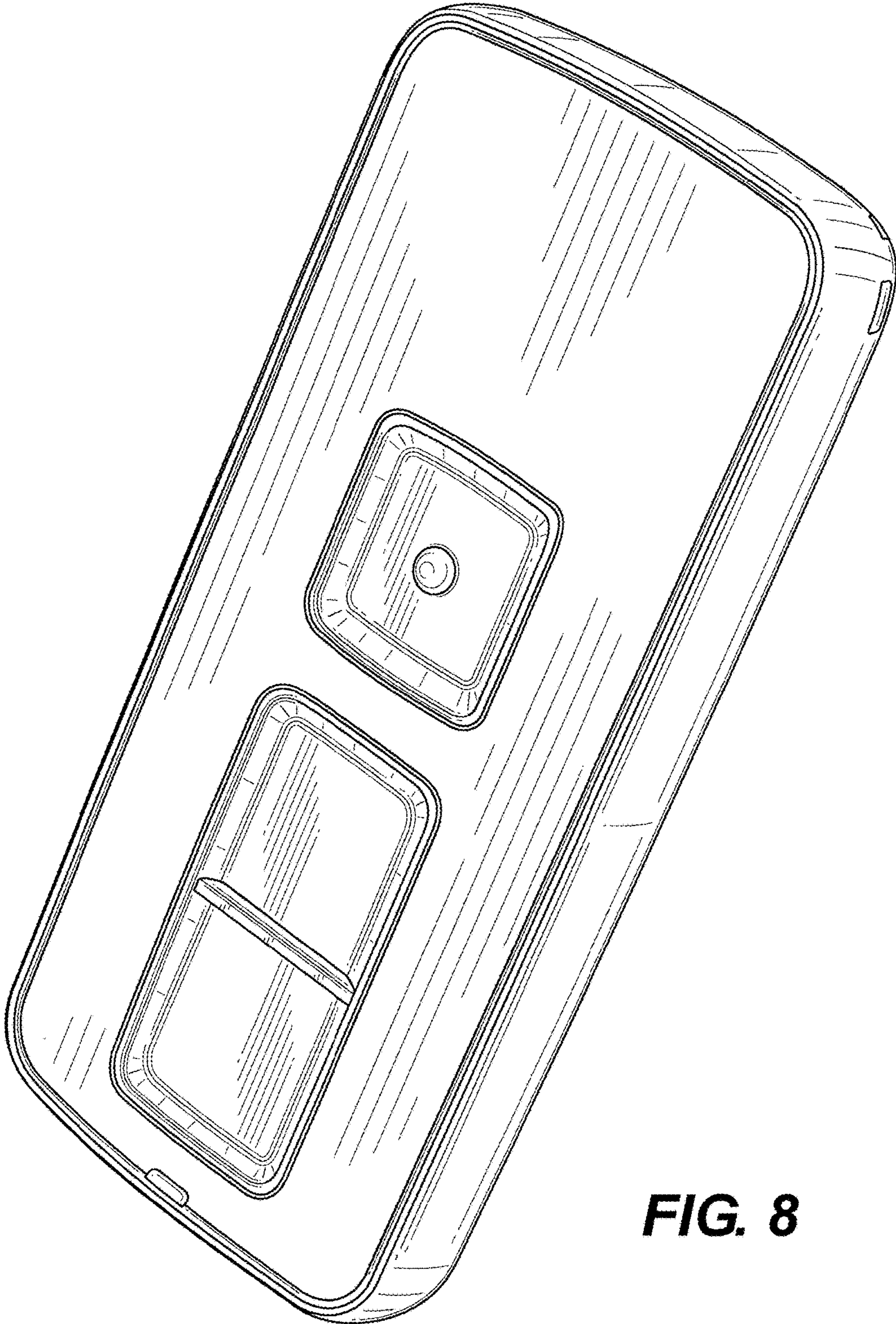


FIG. 8