



US00D784958S

(12) **United States Design Patent**  
**Furuno et al.**

(10) **Patent No.:** **US D784,958 S**

(45) **Date of Patent:** **\*\* Apr. 25, 2017**

(54) **SPEAKER**

(71) Applicant: **TRA COMPANY LTD.**, Osaka (JP)

(72) Inventors: **Hajime Furuno**, Kyoto (JP); **Ryo Higashi**, Osaka (JP)

(73) Assignee: **TRA COMPANY LTD.**, Osaka (JP)

(\*\*) Term: **15 Years**

(21) Appl. No.: **29/556,757**

(22) Filed: **Mar. 3, 2016**

(30) **Foreign Application Priority Data**

Sep. 24, 2015 (JP) ..... 2015-020965

(51) **LOC (10) Cl.** ..... **14-01**

(52) **U.S. Cl.**  
USPC ..... **D14/216**; D14/204; D14/210; D14/211;  
D14/215

(58) **Field of Classification Search**

USPC ..... D14/168, 188, 194, 195, 196, 204, 210,  
D14/211, 212, 213, 214, 215, 216  
CPC ..... B60R 11/0217; G06F 1/1688; G10K 9/22;  
G10K 11/004; H03F 1/327; H04M 1/03;  
H04M 1/035; H04N 5/642; H04N  
21/4852; H04S 3/00; H04S 7/30; H04R  
1/02; H04R 1/06; H04R 1/021; H04R  
1/025; H04R 1/026; H04R 1/028; H04R  
1/105; H04R 1/323; H04R 1/403; H04R  
1/2803; H04R 1/2834; H04R 5/02; H04R  
7/20; H04R 9/06; H04R 9/025; H04R  
2201/021; H04R 2400/00; H04R 2400/07;  
H04R 2499/11; H04R 2499/13; H04R  
2499/15

See application file for complete search history.

(56) **References Cited**

U.S. PATENT DOCUMENTS

D223,580 S *	5/1972	Richards .....	D14/215
D497,153 S *	10/2004	Oas .....	D14/188
D530,319 S *	10/2006	Sarasjoki .....	D14/214
D691,116 S *	10/2013	Ponce .....	D14/215
D715,764 S *	10/2014	Kim .....	D14/209.1
D715,765 S *	10/2014	Kim .....	D14/209.1
D738,847 S *	9/2015	Park .....	D14/188

OTHER PUBLICATIONS

USB U-Shape i-Speaker, announced May 22, 2009 [online], [site visited Feb. 6, 2017]. Available from internet, URL: <<http://www.geeky-gadgets.com/usb-u-shape-i-speaker/>>.\*

\* cited by examiner

*Primary Examiner* — Keli L Hill

*Assistant Examiner* — Karra S Johnson

(74) *Attorney, Agent, or Firm* — Cermak Nakajima & McGowan LLP; Tomoko Nakajima

(57) **CLAIM**

The ornamental design for a speaker, as shown and described.

**DESCRIPTION**

FIG. 1 is a front and top perspective view of a speaker showing our new design;

FIG. 2 is a front elevational view thereof;

FIG. 3 is a rear elevational view thereof;

FIG. 4 is a right side elevational view thereof;

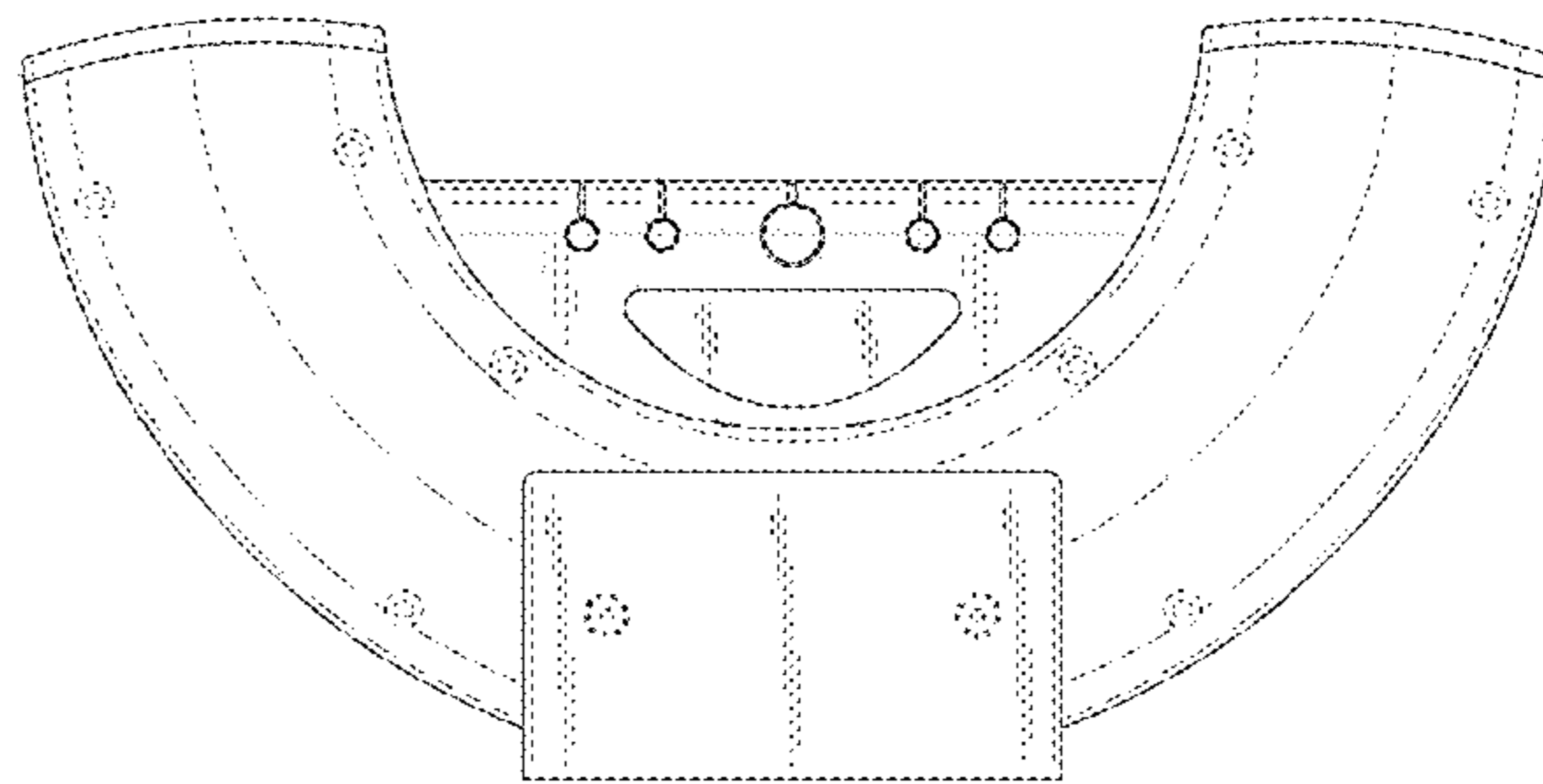
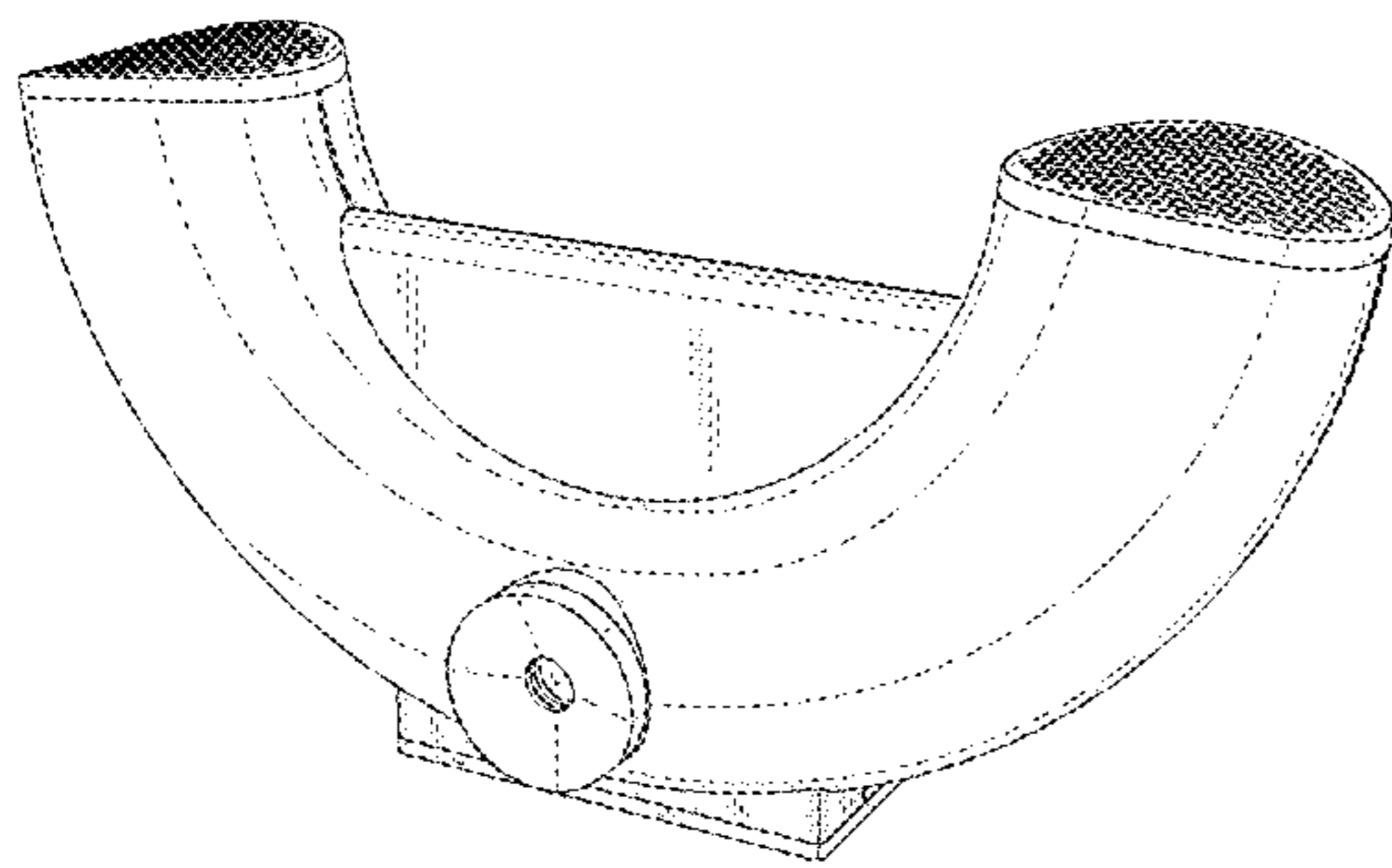
FIG. 5 is a left side elevational view thereof;

FIG. 6 is a bottom plan view thereof; and,

FIG. 7 is a top plan view thereof.

The broken line in the drawings is included for the purpose of illustrating environment and forms no part of the claimed design.

**1 Claim, 7 Drawing Sheets**



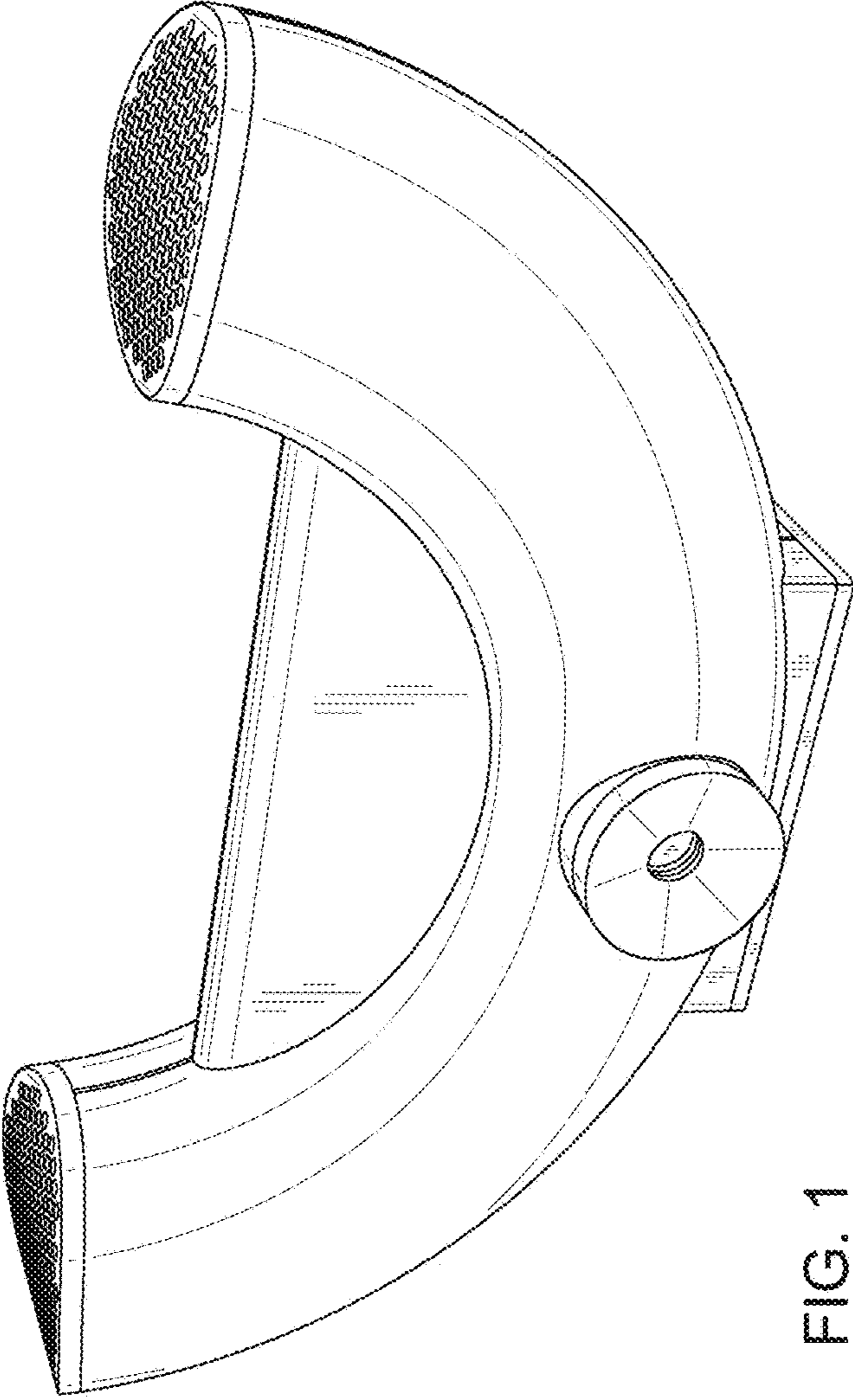


FIG. 1

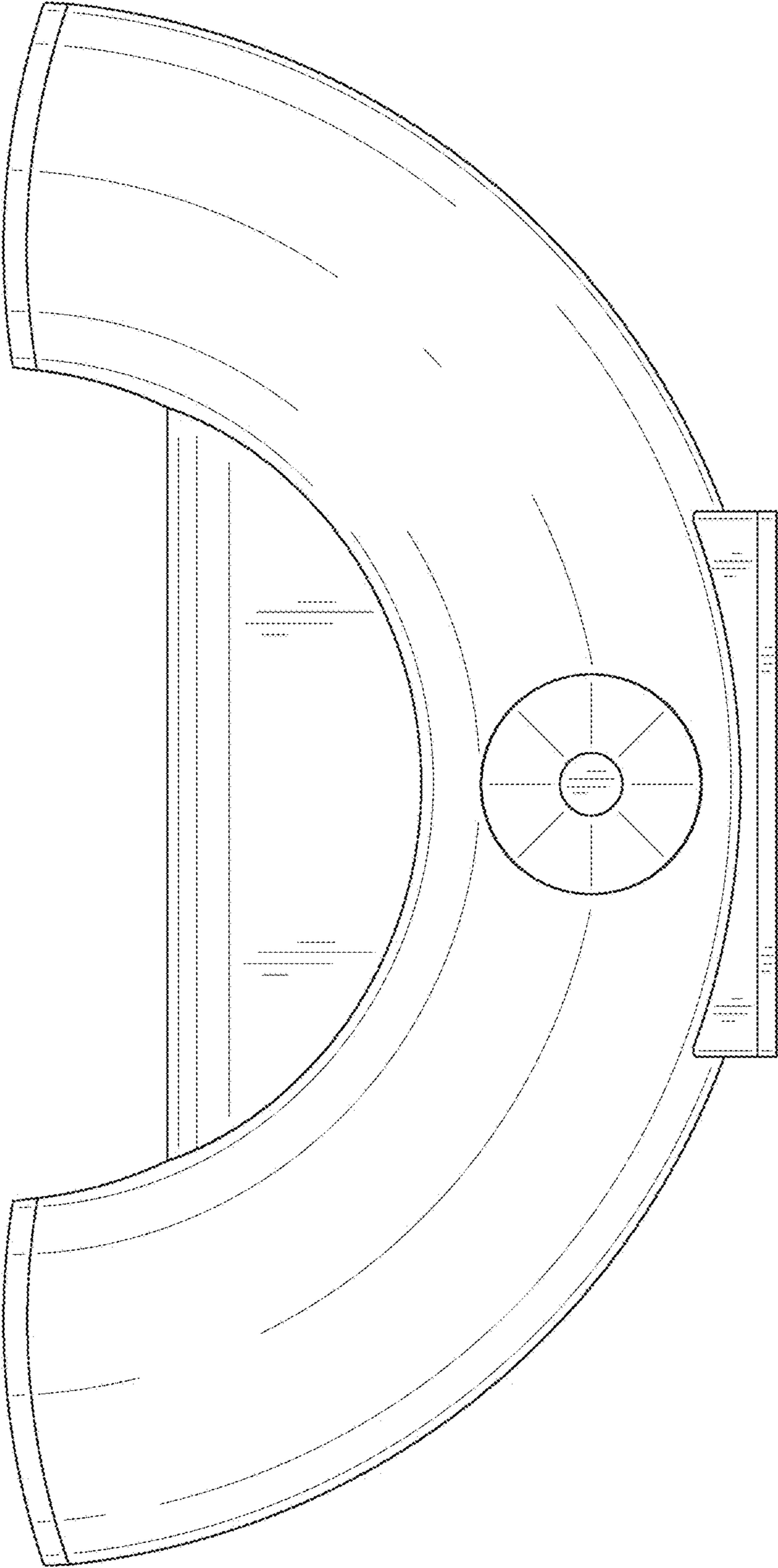


FIG. 2

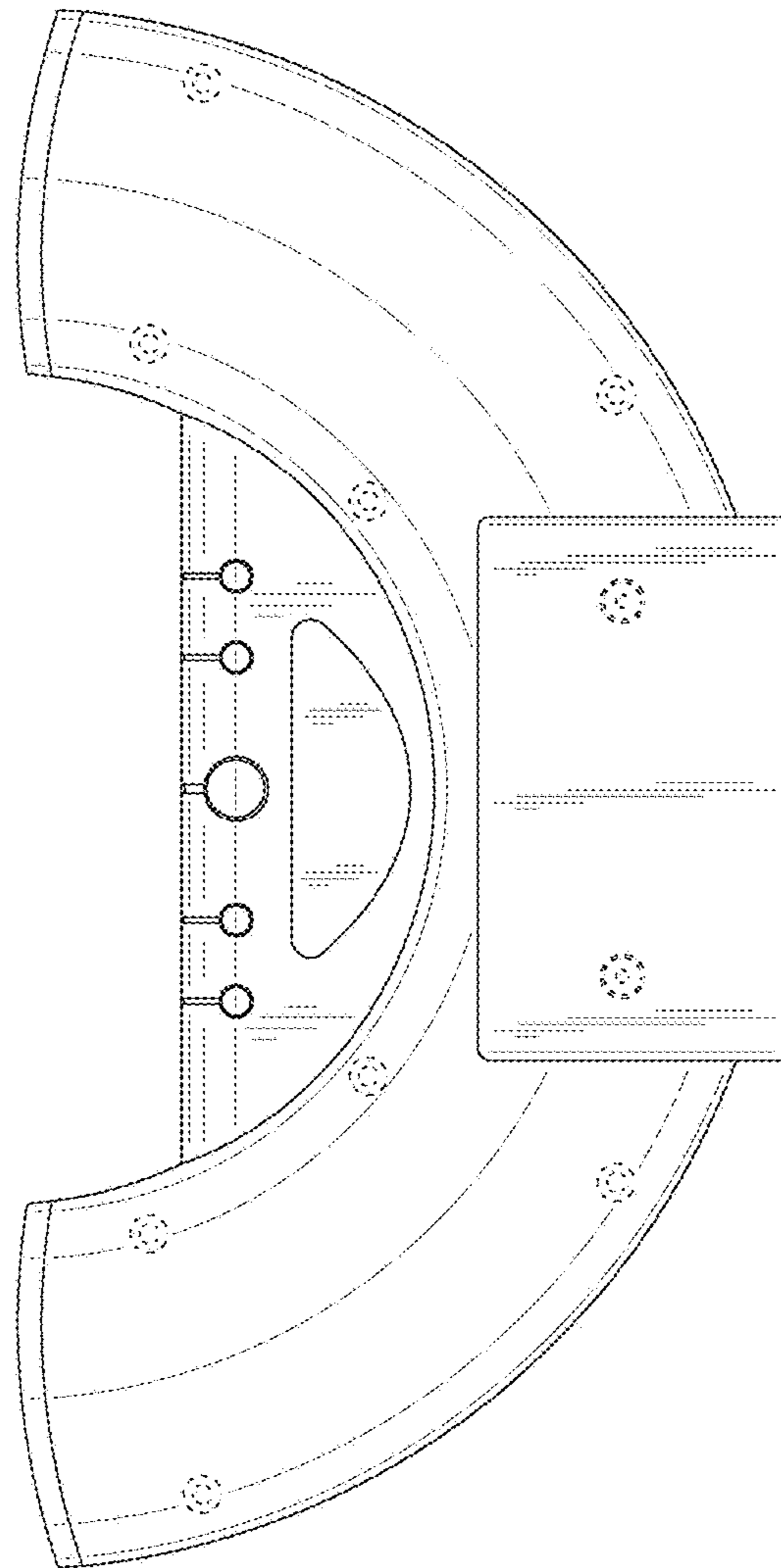


FIG. 3

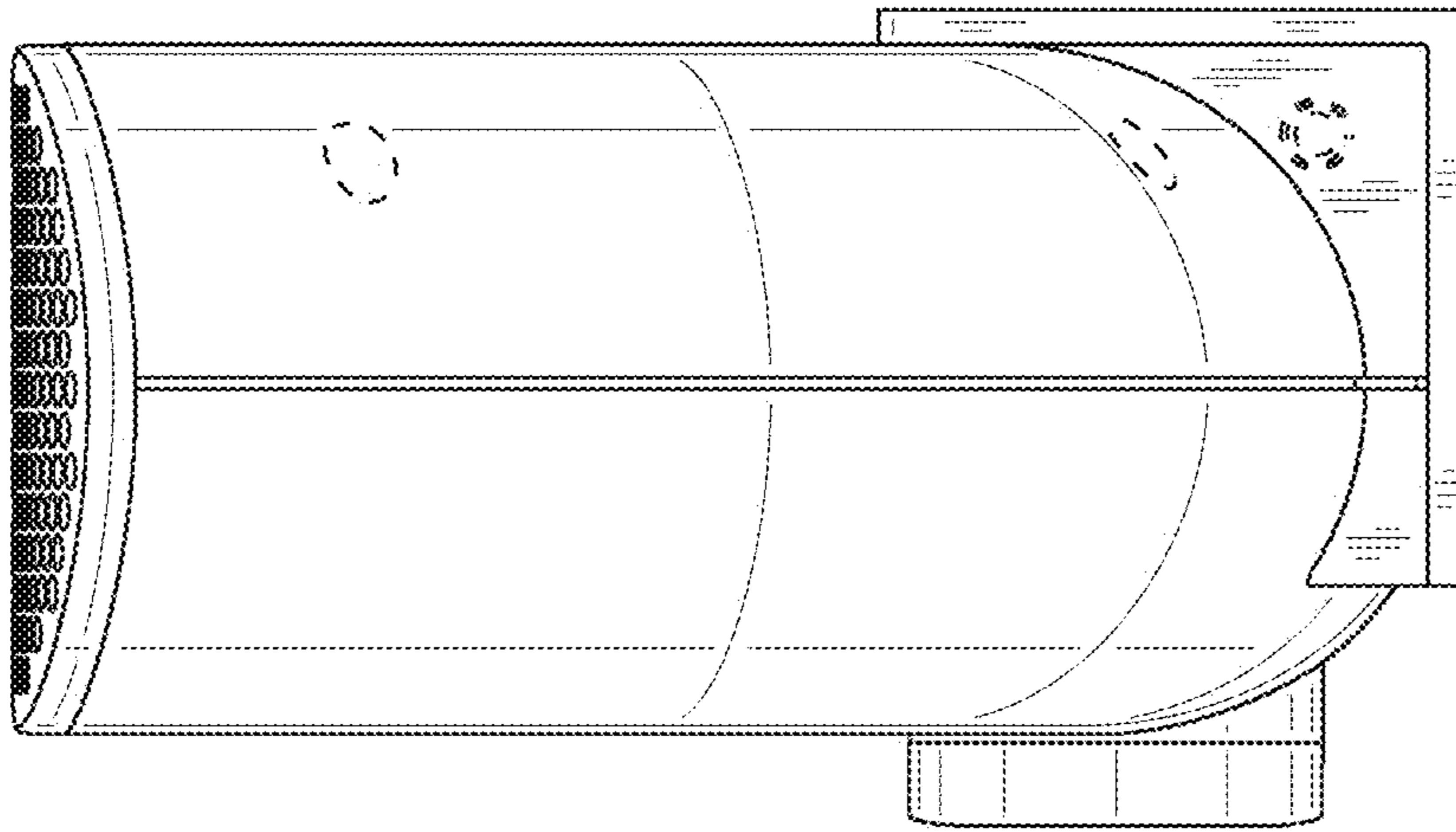


FIG. 4



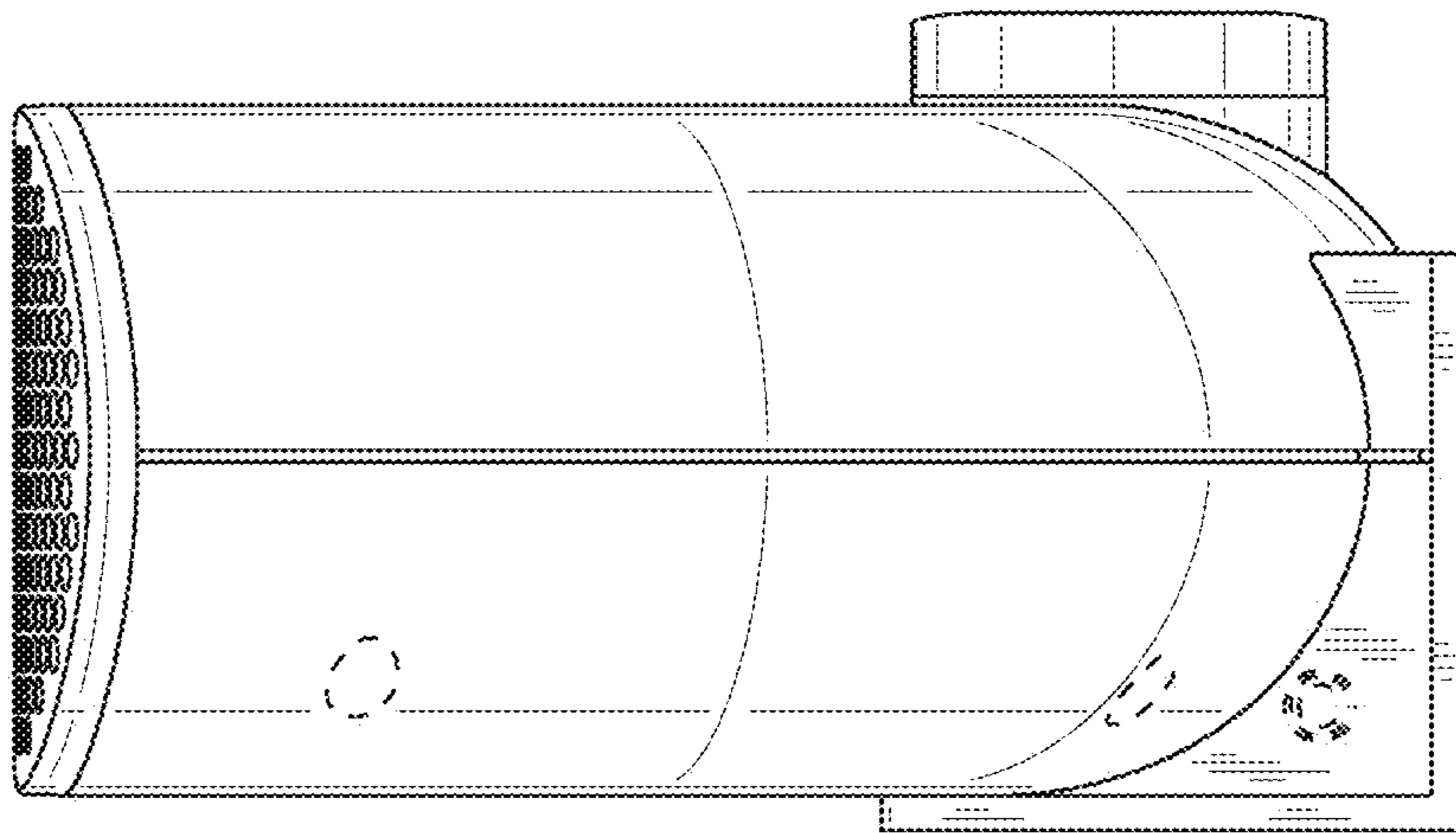


FIG. 5

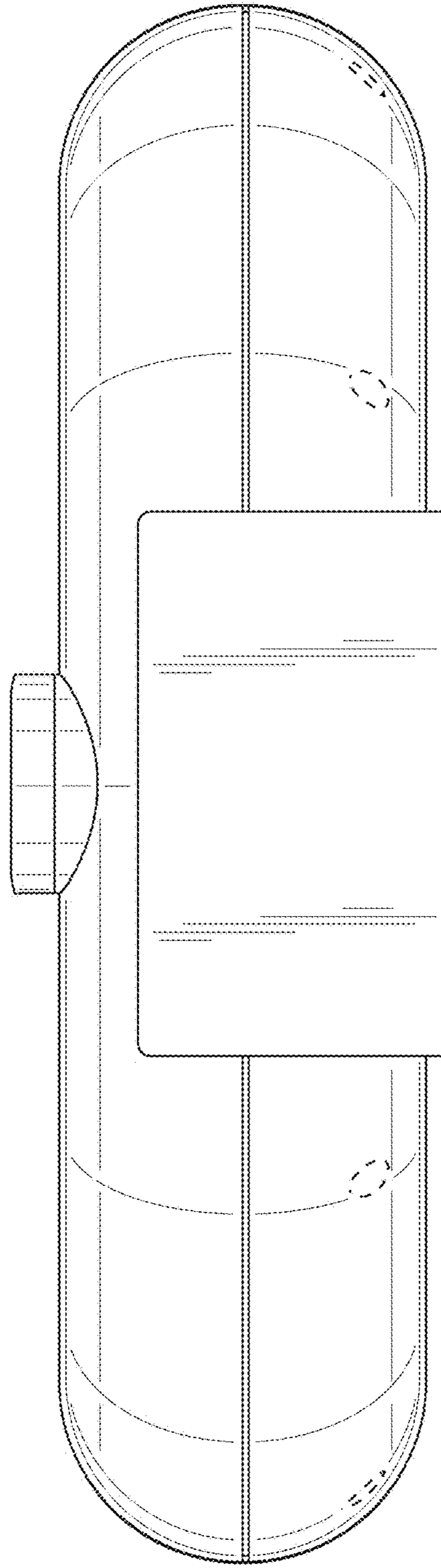


FIG. 6

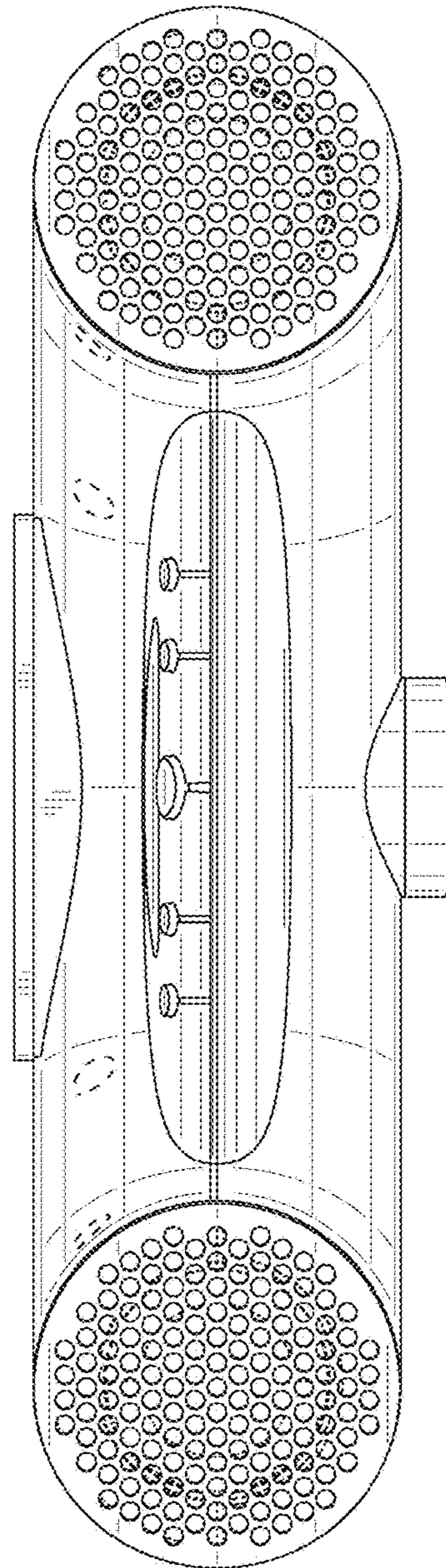


FIG. 7