



US00D784957S

(12) **United States Design Patent**
Hsieh et al.

(10) **Patent No.:** **US D784,957 S**
(45) **Date of Patent:** **** Apr. 25, 2017**

(54) **HEADPHONE**
(71) Applicant: **1MORE INC.**, Shenzhen (CN)
(72) Inventors: **Kuan-Hong Hsieh**, Shenzhen (CN);
Shixuan Yu, Shenzhen (CN); **Jiao Chen**, Shenzhen (CN)
(73) Assignee: **1MORE INC.**, Shenzhen (CN)
(**) Term: **15 Years**
(21) Appl. No.: **29/543,935**
(22) Filed: **Oct. 29, 2015**

3,311,713 A * 3/1967 Knuebel H04M 1/05
379/430
3,505,684 A * 4/1970 Hutchinson A61F 11/14
2/209
3,562,816 A * 2/1971 Hutchinson A61F 11/14
2/209
D246,259 S * 11/1977 Nishimura D14/205
4,133,053 A * 1/1979 Lundin H04R 1/1058
2/209
D254,183 S * 2/1980 Doodson D14/205
4,471,496 A * 9/1984 Gardner, Jr. A61F 11/14
2/209
D313,092 S * 12/1990 Nilsson D14/205
5,384,857 A * 1/1995 Nordin A61F 11/14
381/374
6,611,963 B2 * 9/2003 Woo H04R 5/0335
2/209

(30) **Foreign Application Priority Data**

May 20, 2015 (CN) 2015 3 0153591

(51) **LOC (10) Cl.** **14-01**

(52) **U.S. Cl.**
USPC **D14/205**

(58) **Field of Classification Search**
USPC D14/205; D29/112; 2/209; 181/129,
181/130, 135; 379/430, 431; 381/380,
381/381; 455/90.3, 575.1
CPC H04R 1/1066; H04R 1/1016; H04R 25/00;
H04R 1/10; H04R 1/105; H04R 5/0335
See application file for complete search history.

(56) **References Cited**

U.S. PATENT DOCUMENTS

1,560,718 A * 11/1925 Nowosielski H04R 1/1066
381/377
2,025,385 A * 12/1935 Grace H04R 5/0335
381/379
2,149,341 A * 3/1939 Harrison H04R 1/1066
248/274.1
2,437,049 A * 3/1948 Salisbury A61F 11/14
128/866
D203,677 S * 2/1966 Spilman et al. D14/205

(Continued)

Primary Examiner — Paula Greene

(74) *Attorney, Agent, or Firm* — HoustonHogle LLP

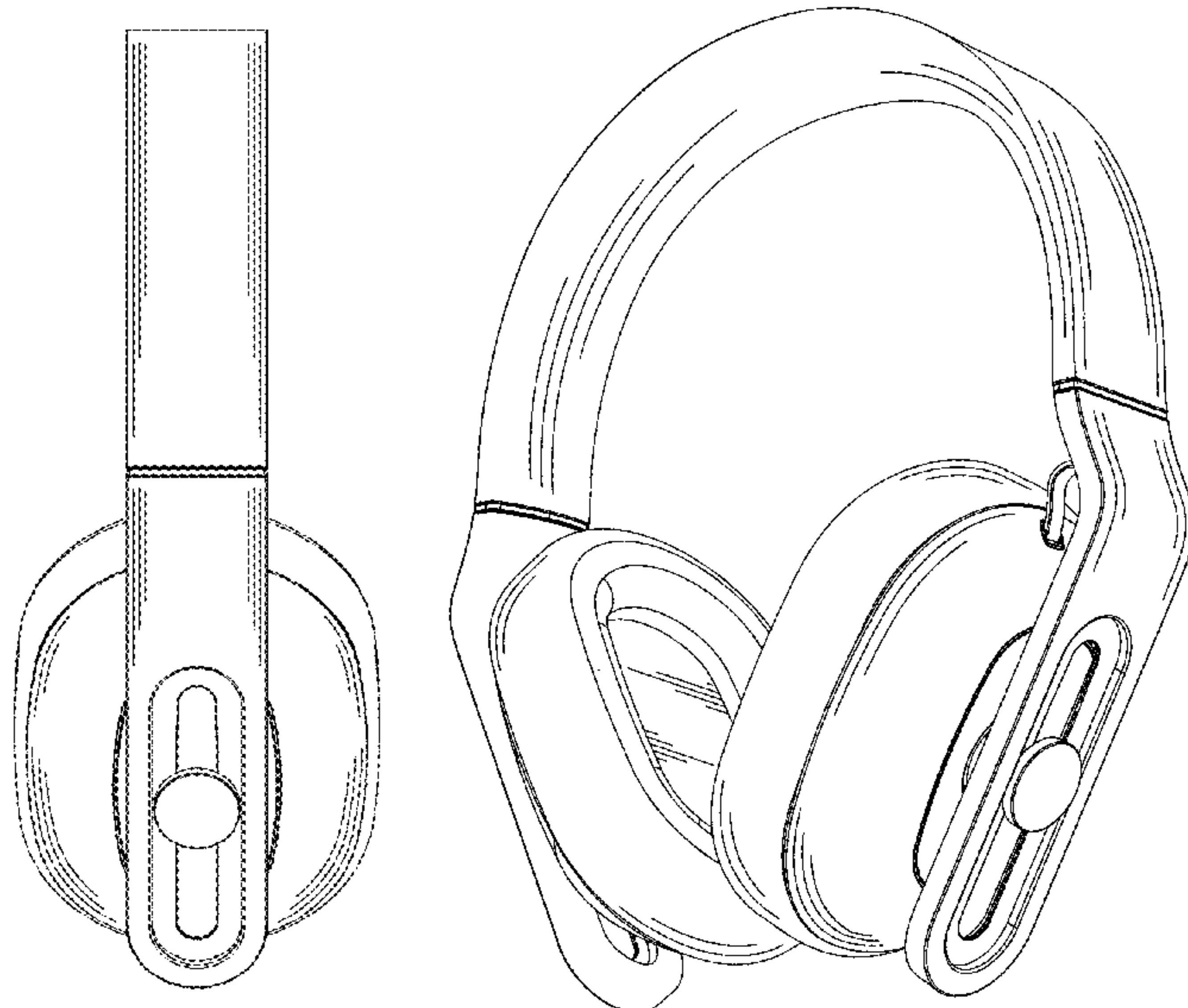
(57) **CLAIM**

The ornamental design for a headphone, as shown and described.

DESCRIPTION

FIG. 1 is a front elevational view of a headphone showing a new design;
FIG. 2 is a rear elevational view thereof;
FIG. 3 is a left-side elevational view thereof;
FIG. 4 is a right-side elevational view thereof;
FIG. 5 is a top plan view thereof (a left interior front face of a left ear cup of the headphone is a mirror image of a right interior front face of a right ear cup of the headphone);
FIG. 6 is a bottom plan view thereof; and,
FIG. 7 is a perspective view thereof (the left interior front face of the left ear cup of the headphone is a mirror image of the right interior front face of the right ear cup of the headphone).

1 Claim, 7 Drawing Sheets



(56)

References Cited

U.S. PATENT DOCUMENTS

6,678,897 B2 * 1/2004 Lindgren A61F 11/14
181/129

6,724,906 B2 * 4/2004 Naksen H04R 1/1066
381/370

D538,261 S * 3/2007 Taylor D14/205

D560,654 S * 1/2008 Feng D14/205

D570,825 S * 6/2008 Schultz D14/205

D573,581 S * 7/2008 Gondo D14/205

7,735,154 B2 * 6/2010 Gellis A61F 11/14
2/209

D620,474 S * 7/2010 Komiyama D14/205

D635,958 S * 4/2011 Ando D14/205

D657,344 S * 4/2012 Brunner D14/205

D657,345 S * 4/2012 Brunner D14/205

D663,717 S * 7/2012 Hutchieson D14/206

D695,263 S * 12/2013 Mogili D14/205

D696,226 S * 12/2013 Brunner D14/205

D704,163 S * 5/2014 Brunner D14/205

8,732,864 B2 * 5/2014 Fountain A61F 11/14
2/209

D707,200 S * 6/2014 Yang D14/205

D708,163 S * 7/2014 Ishikura D14/205

D724,560 S * 3/2015 Galler D14/205

D732,001 S * 6/2015 Licht D14/205

2003/0037366 A1 * 2/2003 Lindgren A61F 11/14
2/209

2005/0220318 A1 * 10/2005 Han H04R 1/1008
381/371

2014/0177884 A1 * 6/2014 Minarik H04R 1/1066
381/309

2015/0195640 A1 * 7/2015 Essabar H04R 1/1033
381/378

* cited by examiner



FIG. 1



FIG. 2

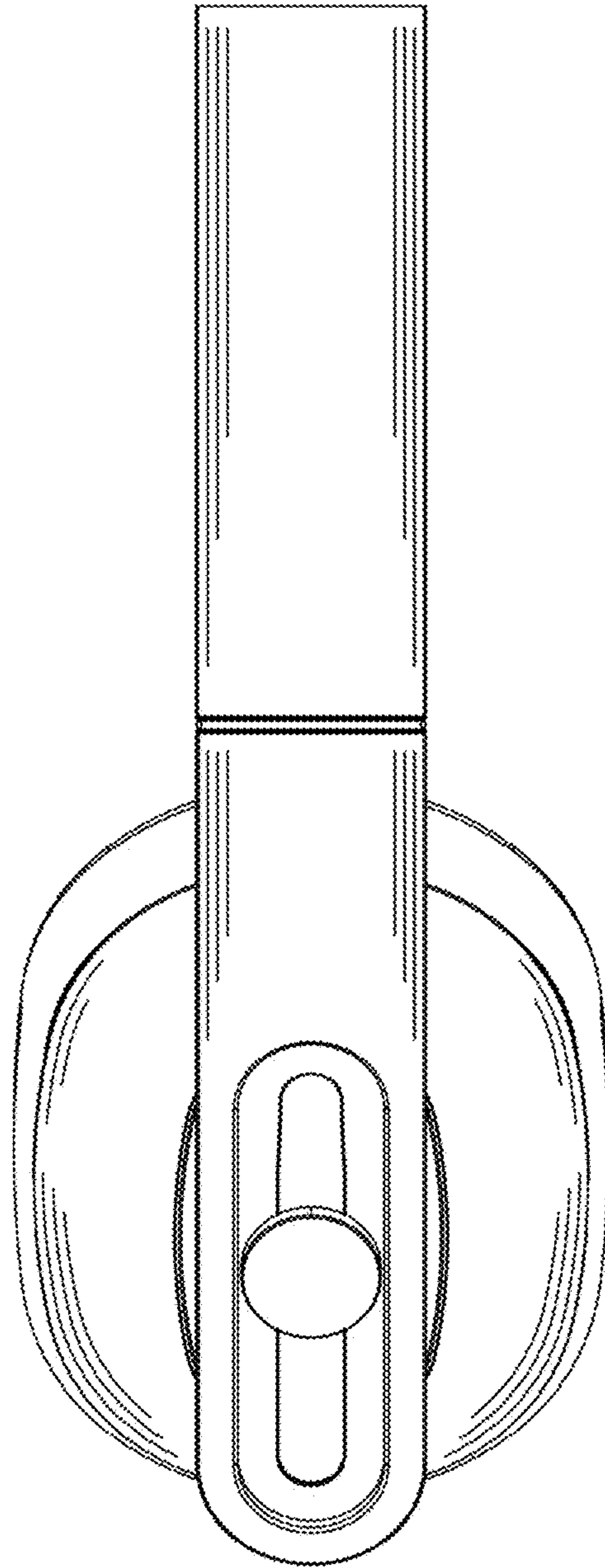


FIG. 3

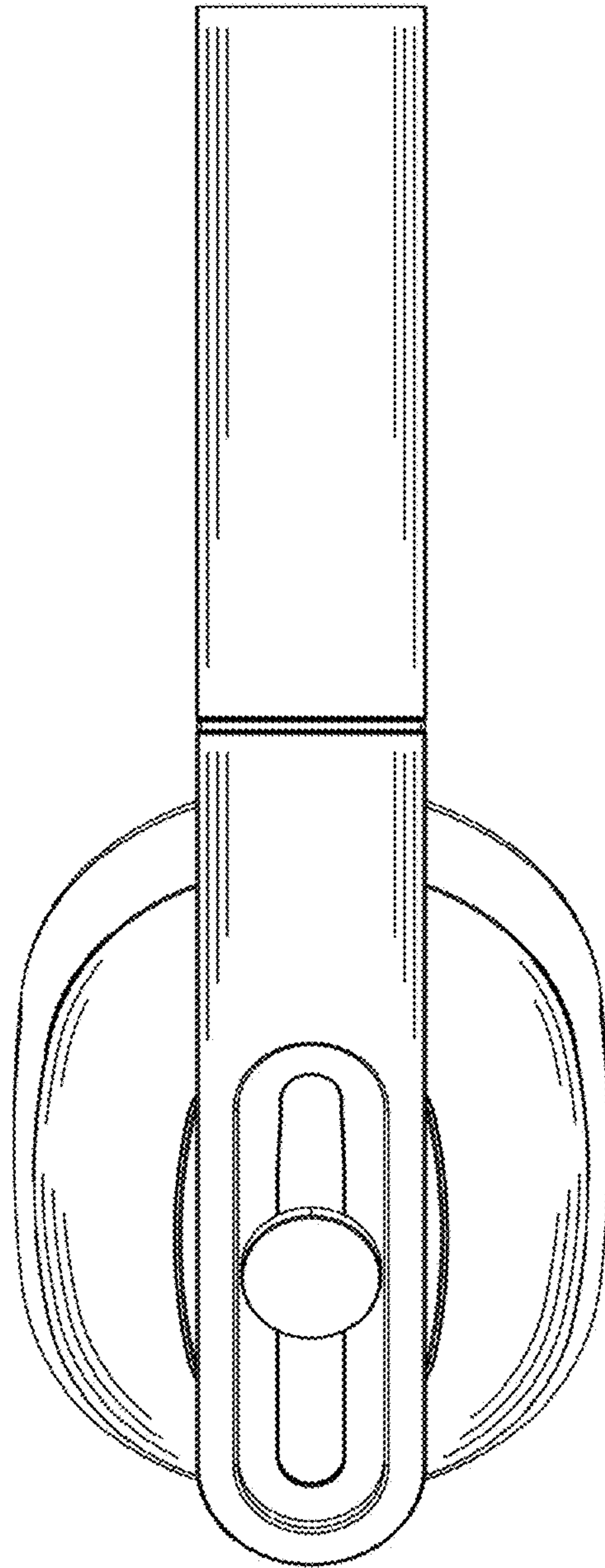


FIG. 4

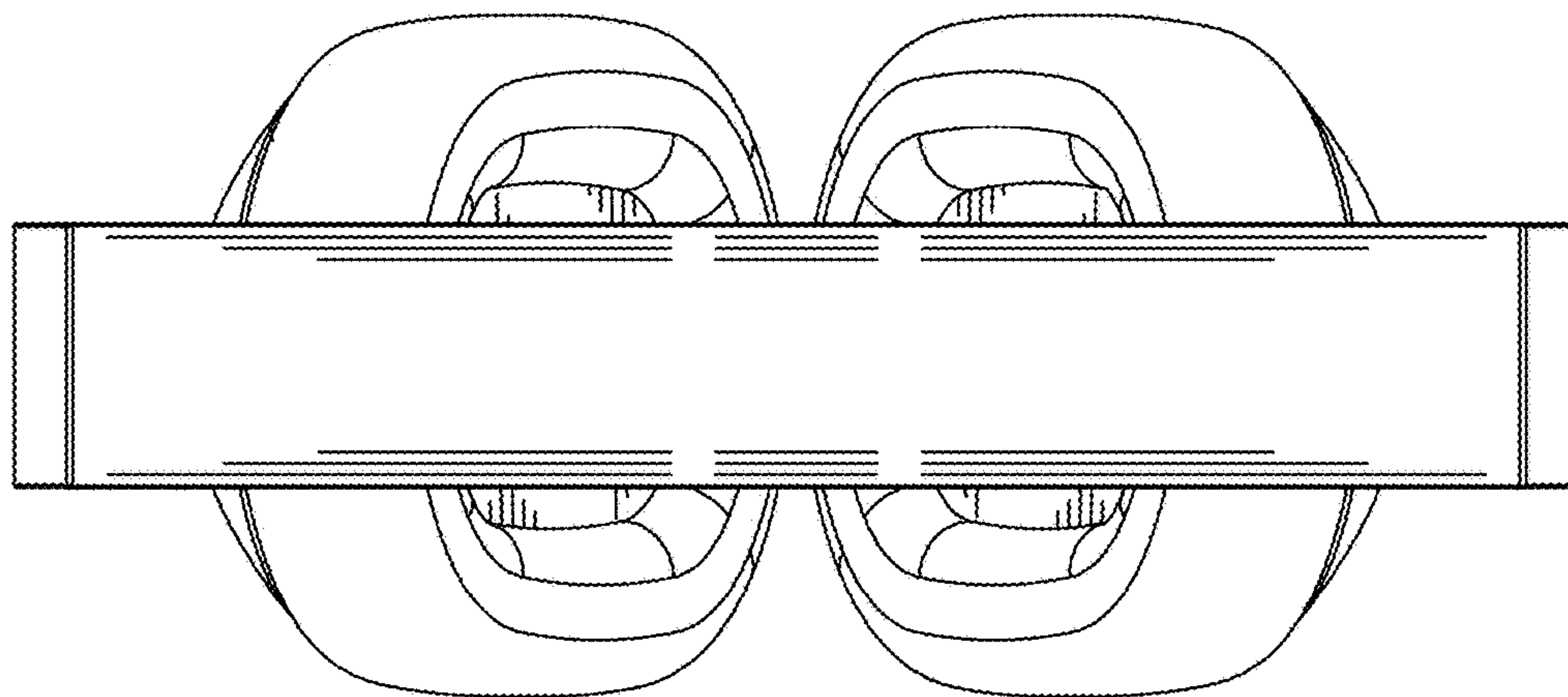


FIG. 5

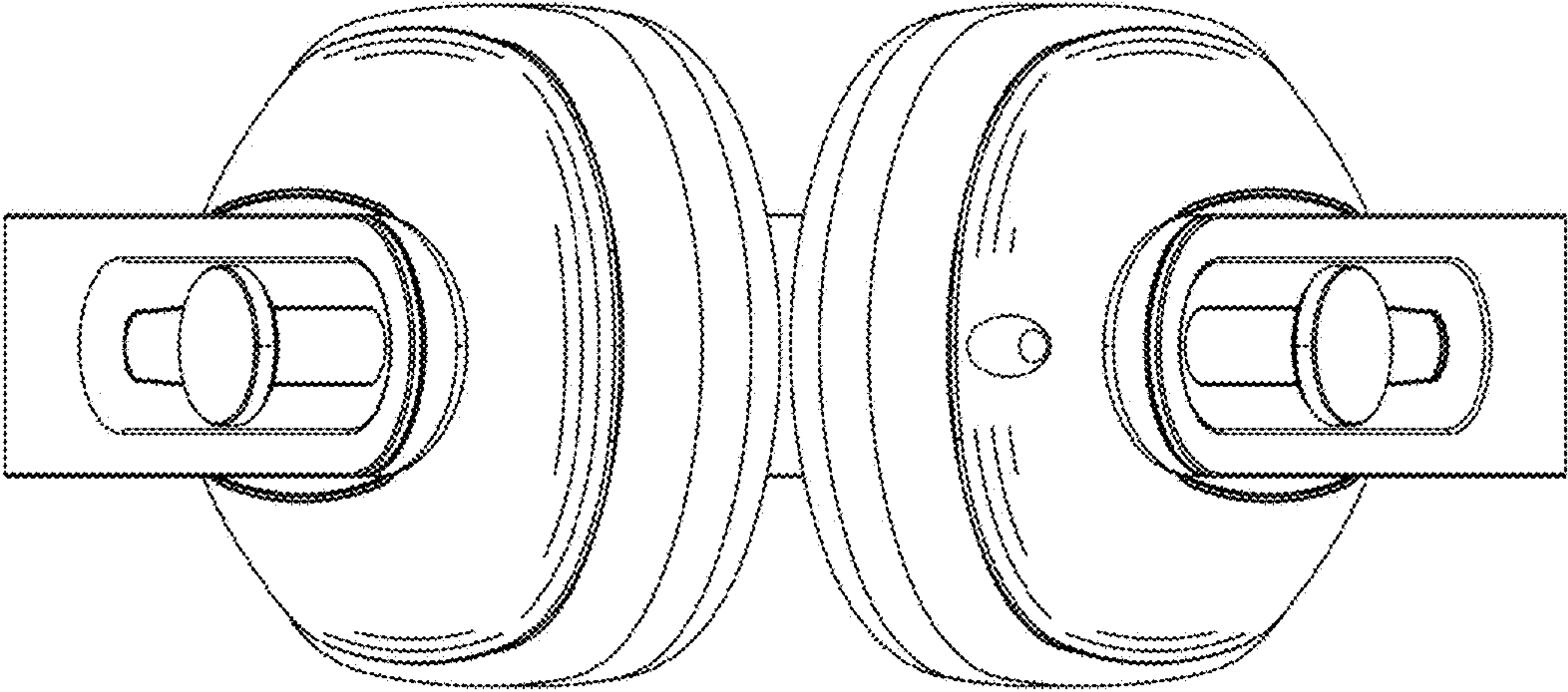


FIG. 6

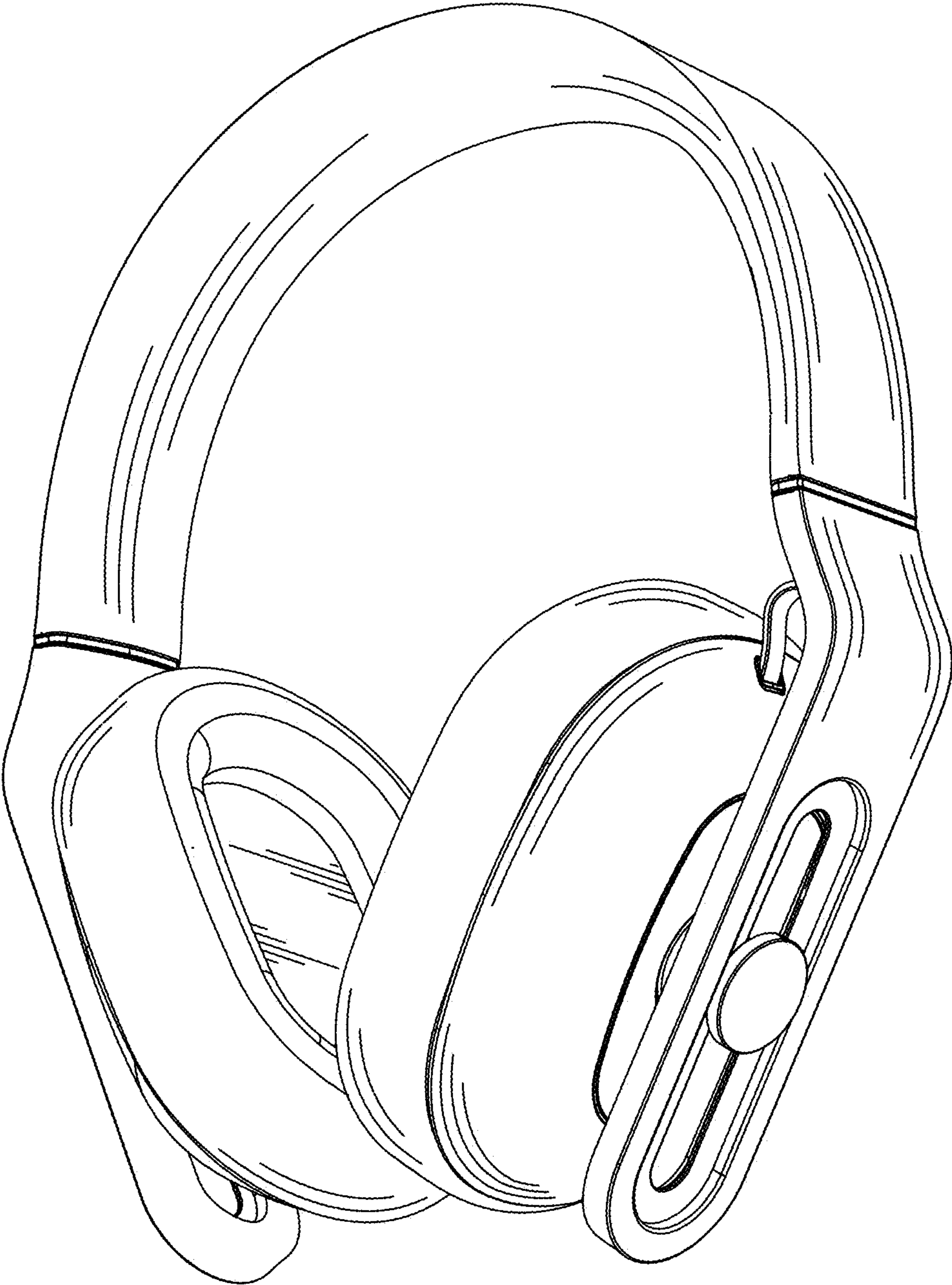


FIG. 7