



US00D784956S

(12) **United States Design Patent**
Homewood

(10) **Patent No.:** **US D784,956 S**

(45) **Date of Patent:** **** Apr. 25, 2017**

(54) **HEADPHONE**

(71) Applicant: **GIBSON INNOVATIONS BELGIUM NV, Leuven (BE)**

(72) Inventor: **Timothy Homewood, Hong Kong (HK)**

(73) Assignee: **Gibson Brands, Inc., Nashville, TN (US)**

(**) Term: **15 Years**

(21) Appl. No.: **29/530,830**

(22) Filed: **Jun. 19, 2015**

(30) **Foreign Application Priority Data**

Dec. 19, 2014 (EM) 002602169

(51) **LOC (10) Cl.** **14-01**

(52) **U.S. Cl.**
USPC **D14/205**

(58) **Field of Classification Search**
USPC D14/205, 188, 192; D29/112; 2/209;
181/129, 130, 135; 379/430, 431;
381/380, 381, 74, 374, 378, 379, 384,
381/183, 351; D5/52, 53; 132/273;
D2/826, 828, 856

CPC H04R 1/1066; H04R 25/00; H04R 1/1016;
H04R 5/0335; H05R 5/033

See application file for complete search history.

(56) **References Cited**

U.S. PATENT DOCUMENTS

- 2,537,201 A * 1/1951 Amfitheatrof A61F 11/008
181/136
- 2,958,608 A * 11/1960 Barnard D04H 1/66
28/163
- D237,114 S * 10/1975 Frolth D24/126
- D246,519 S * 11/1977 Kato D14/205

- 4,404,434 A * 9/1983 Pelt H04R 5/0335
2/209
- 4,634,816 A * 1/1987 O'Malley H04M 1/05
379/430
- D297,324 S * 8/1988 Kohno D14/205
- D328,986 S * 9/1992 Lightfoot D6/407
- D345,163 S * 3/1994 Yamatogi D14/205
- 5,406,037 A * 4/1995 Nageno H04R 5/0335
181/129
- D373,360 S * 9/1996 Kanno D14/205
- D375,312 S * 11/1996 Kanno D14/205
- D376,598 S * 12/1996 Hayashi D14/205
- D377,021 S * 12/1996 Isono D14/205
- D409,197 S * 5/1999 Nakamura D14/205
- D410,466 S * 6/1999 Mouri D14/205
- 5,989,682 A * 11/1999 Anderson B31F 1/07
156/209
- D420,356 S * 2/2000 Suzuki D14/205
- 6,081,604 A * 6/2000 Hikichi H04R 1/083
381/124
- D435,249 S * 12/2000 Yasutomi D14/205
- D467,580 S * 12/2002 Mori D14/223
- D502,938 S * 3/2005 Tokioka D14/205
- D567,215 S * 4/2008 Lee D14/205

(Continued)

Primary Examiner — Paula Greene

(74) *Attorney, Agent, or Firm* — Bates & Bates, LLC

(57) **CLAIM**

The ornamental design for headphone, as shown and described.

DESCRIPTION

FIG. 1 is a left side view of a headphone showing my new design;
 FIG. 2 is a right side view thereof;
 FIG. 3 is a back view thereof;
 FIG. 4 is a front view thereof;
 FIG. 5 is a perspective view thereof;
 FIG. 6 is a top view thereof; and,
 FIG. 7 is a bottom view thereof.

1 Claim, 7 Drawing Sheets



(56)

References Cited

U.S. PATENT DOCUMENTS

D573,581	S *	7/2008	Gondo	D14/205
D625,705	S *	10/2010	Ohori	D14/205
D632,668	S *	2/2011	Brunner	D14/205
D639,776	S *	6/2011	Arimoto	D14/205
8,098,872	B2 *	1/2012	Chang	H04R 1/1075
				381/370
D657,344	S *	4/2012	Brunner	D14/205
D673,136	S *	12/2012	Kelly	D14/205
D678,860	S *	3/2013	Hagelin	D14/205
D691,109	S *	10/2013	Hardi	D14/205
D695,263	S *	12/2013	Mogili	D14/205
D696,226	S *	12/2013	Brunner	H04R 5/033
				D14/205
D706,240	S *	6/2014	Szymanski	D14/205
D706,241	S *	6/2014	Szymanski	D14/205
D707,200	S *	6/2014	Yang	H04R 1/1066
				D14/205
D716,762	S *	11/2014	Greve	D14/206
D727,289	S *	4/2015	Czaniecki	D14/205
D728,512	S *	5/2015	Nakagawa	D14/205
D736,174	S *	8/2015	Levine	D14/205
D736,175	S *	8/2015	Levine	D14/205
D739,378	S *	9/2015	Chung	D14/205
9,161,117	B2 *	10/2015	Blonder	H04R 1/1066
D755,753	S *	5/2016	Nakagawa	D14/205
D765,055	S *	8/2016	Hsieh	D14/205
D766,870	S *	9/2016	Catalano	D14/205
2001/0017925	A1 *	8/2001	Ceravolo	H04M 1/05
				381/370
2009/0205110	A1 *	8/2009	Chiang	A61F 11/06
				2/209

* cited by examiner

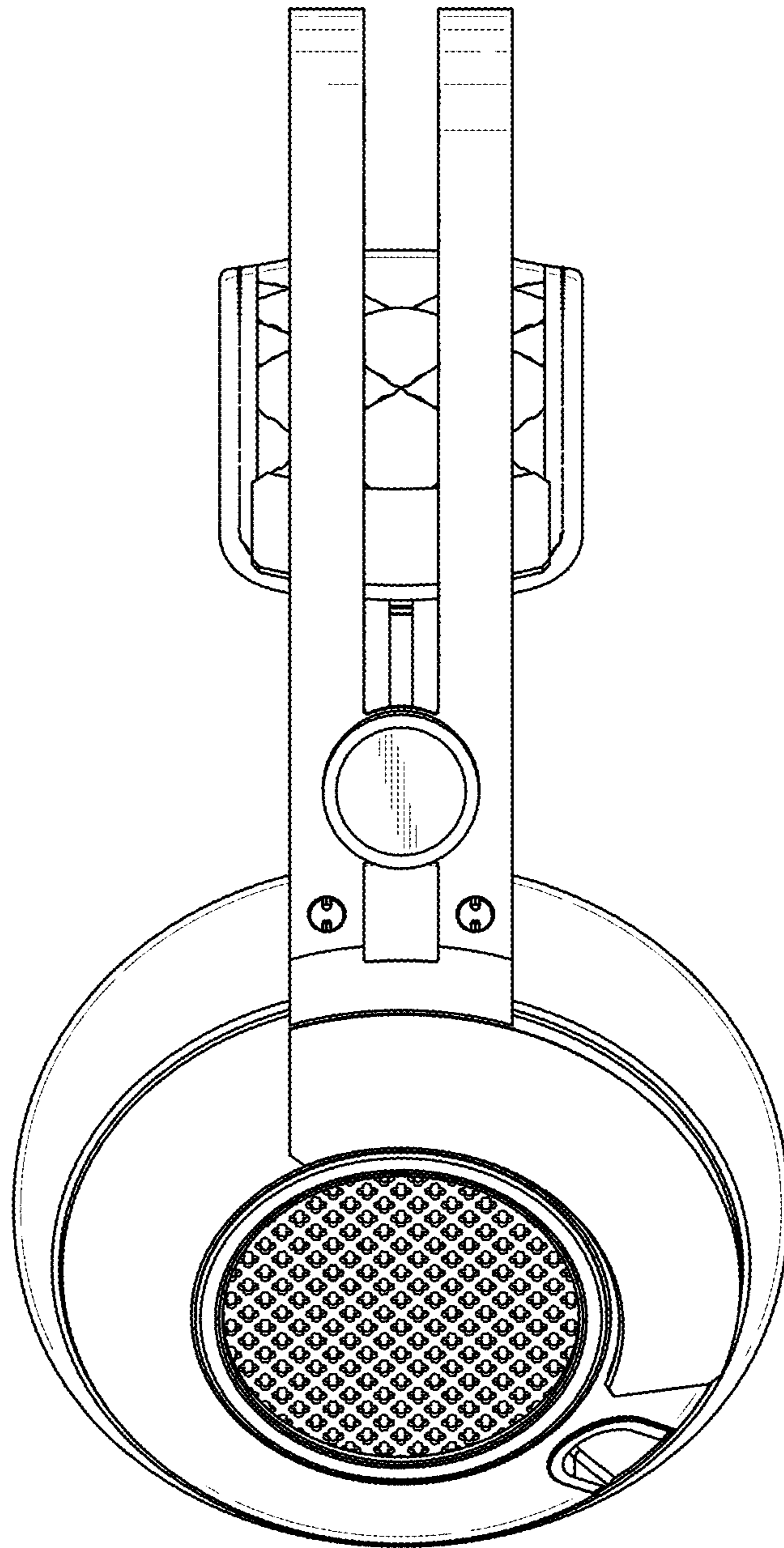


FIG. 1

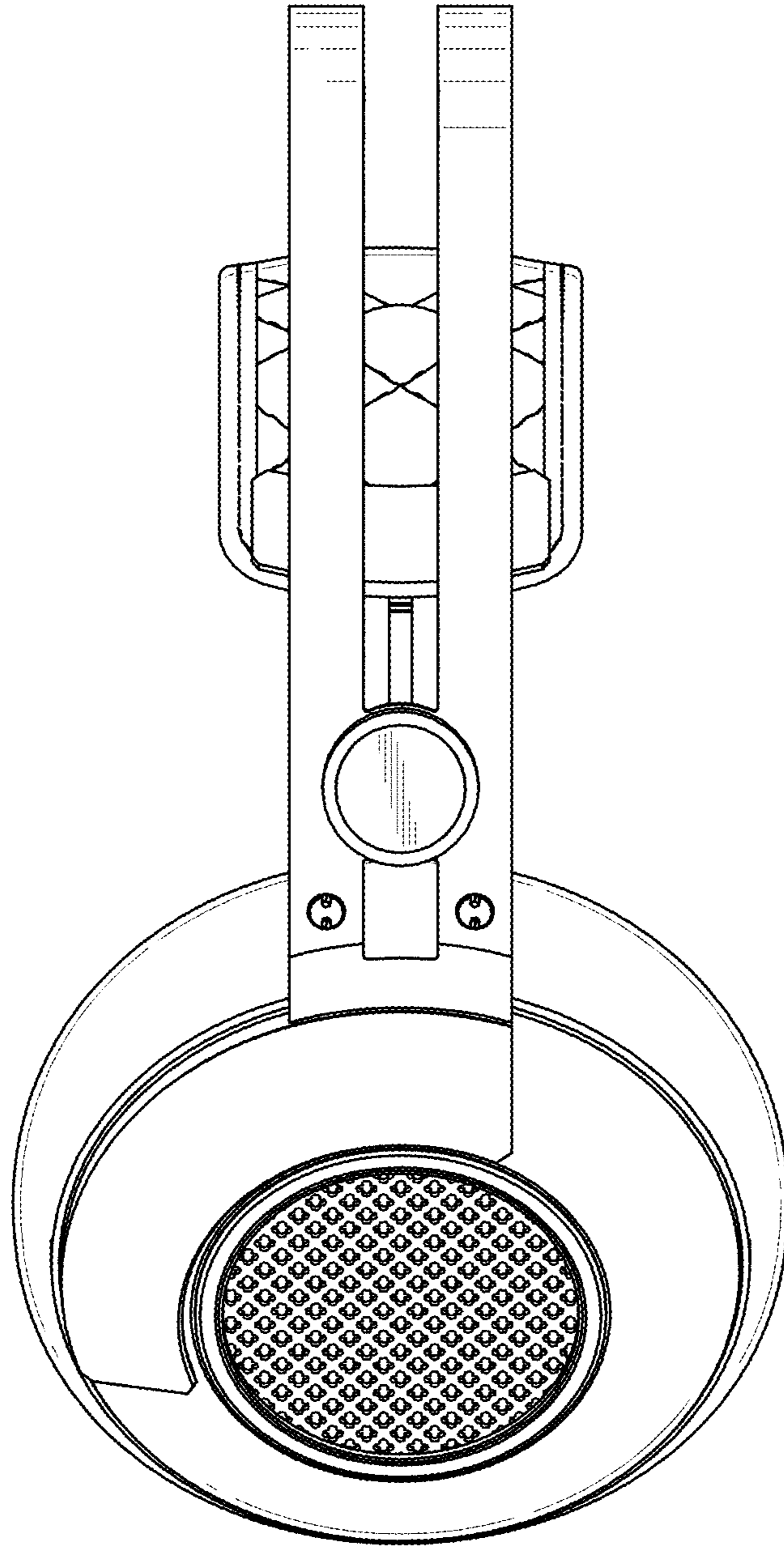


FIG. 2



FIG. 3



FIG. 4



FIG. 5

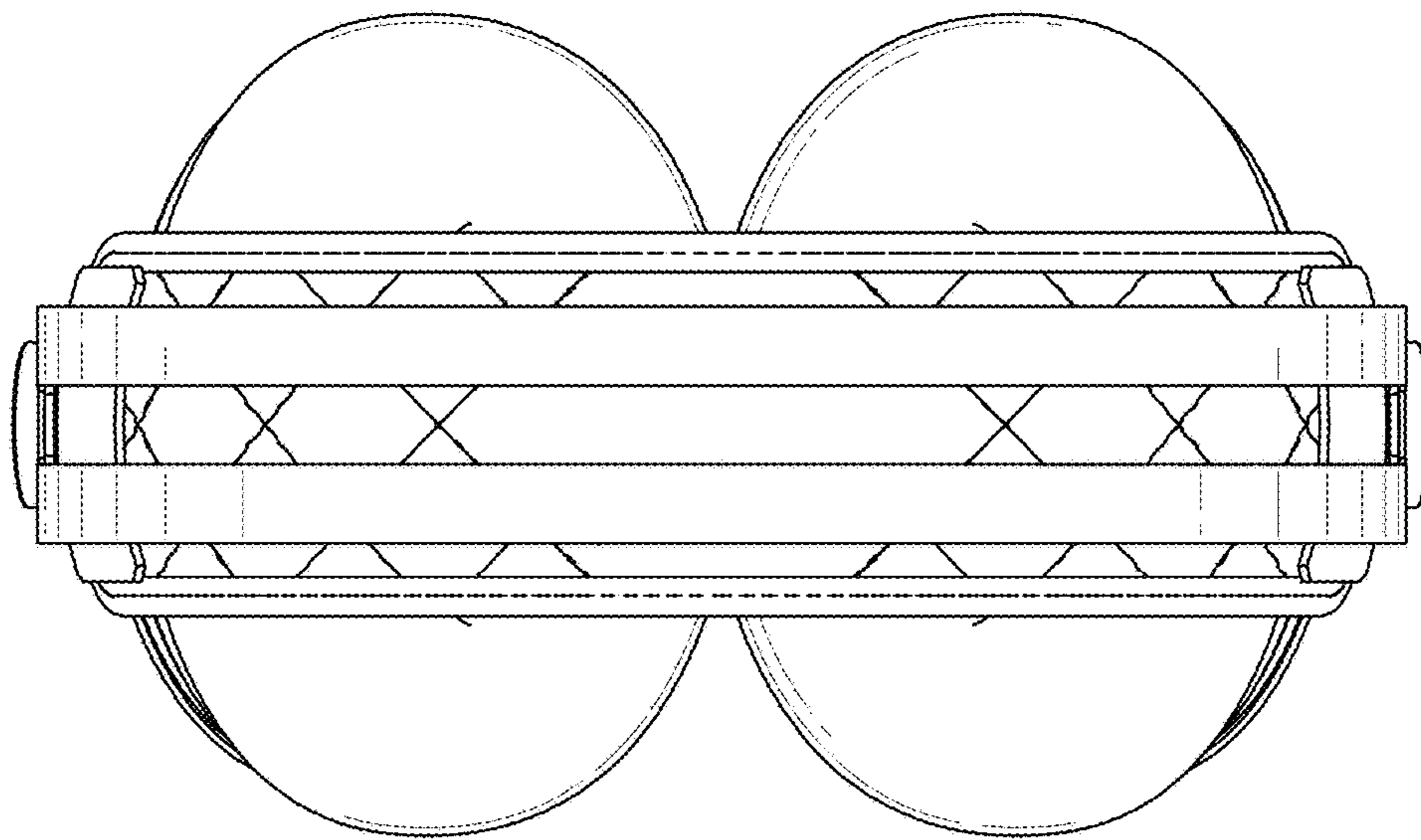


FIG. 6

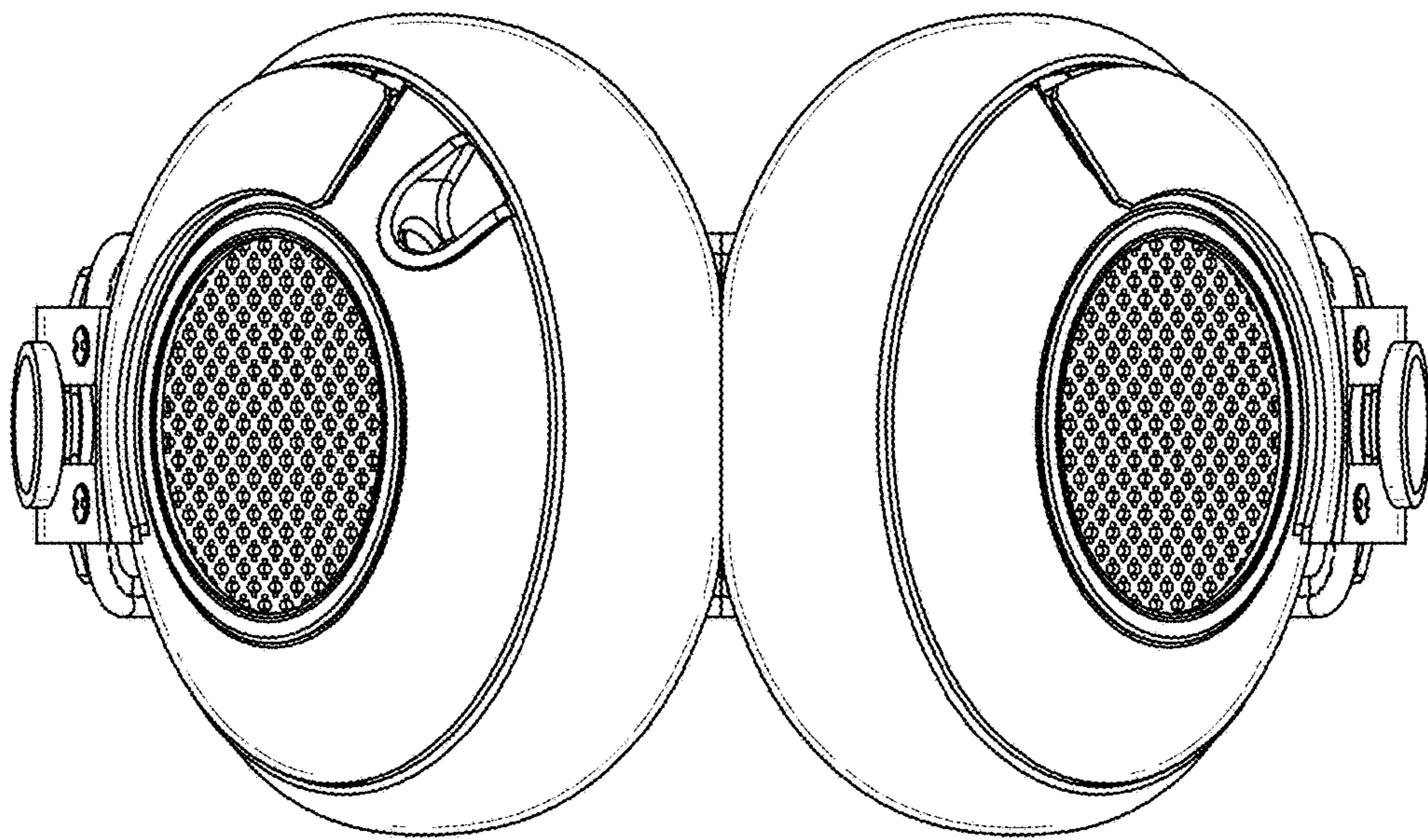


FIG. 7