



US00D784954S

(12) **United States Design Patent**  
**Warden**

(10) **Patent No.:** **US D784,954 S**

(45) **Date of Patent:** **\*\* Apr. 25, 2017**

(54) **LOUDSPEAKER**

(56) **References Cited**

(71) Applicant: **Bose Corporation**, Framingham, MA  
(US)

U.S. PATENT DOCUMENTS

(72) Inventor: **Robert A. Warden**, Southborough, MA  
(US)

D372,918 S *	8/1996	Manganese .....	D14/204
D408,297 S *	4/1999	Hargrove, III .....	D10/1
D571,749 S *	6/2008	Barnett .....	D14/126
7,516,932 B2 *	4/2009	Engebretson .....	H04R 1/026 248/317
D594,854 S *	6/2009	Hawkins .....	D14/217
D622,258 S *	8/2010	Joseph .....	D10/2
D659,670 S *	5/2012	Goetzen .....	D14/194
D663,719 S *	7/2012	Warden .....	D14/214
D681,010 S *	4/2013	Cho .....	D14/215

(73) Assignee: **Bose Corporation**, Framingham, MA  
(US)

(\*\*) Term: **15 Years**

\* cited by examiner

(21) Appl. No.: **29/559,584**

*Primary Examiner* — Ian Simmons

(22) Filed: **Mar. 30, 2016**

*Assistant Examiner* — Janice Lim

(74) *Attorney, Agent, or Firm* — Bose Corporation

**Related U.S. Application Data**

(62) Division of application No. 29/493,734, filed on Jun. 12, 2014, now Pat. No. Des. 756,328.

(57) **CLAIM**

The ornamental design for a loudspeaker, substantially as shown and described.

(51) **LOC (10) Cl.** ..... **14-01**

**DESCRIPTION**

(52) **U.S. Cl.**

USPC ..... **D14/204**

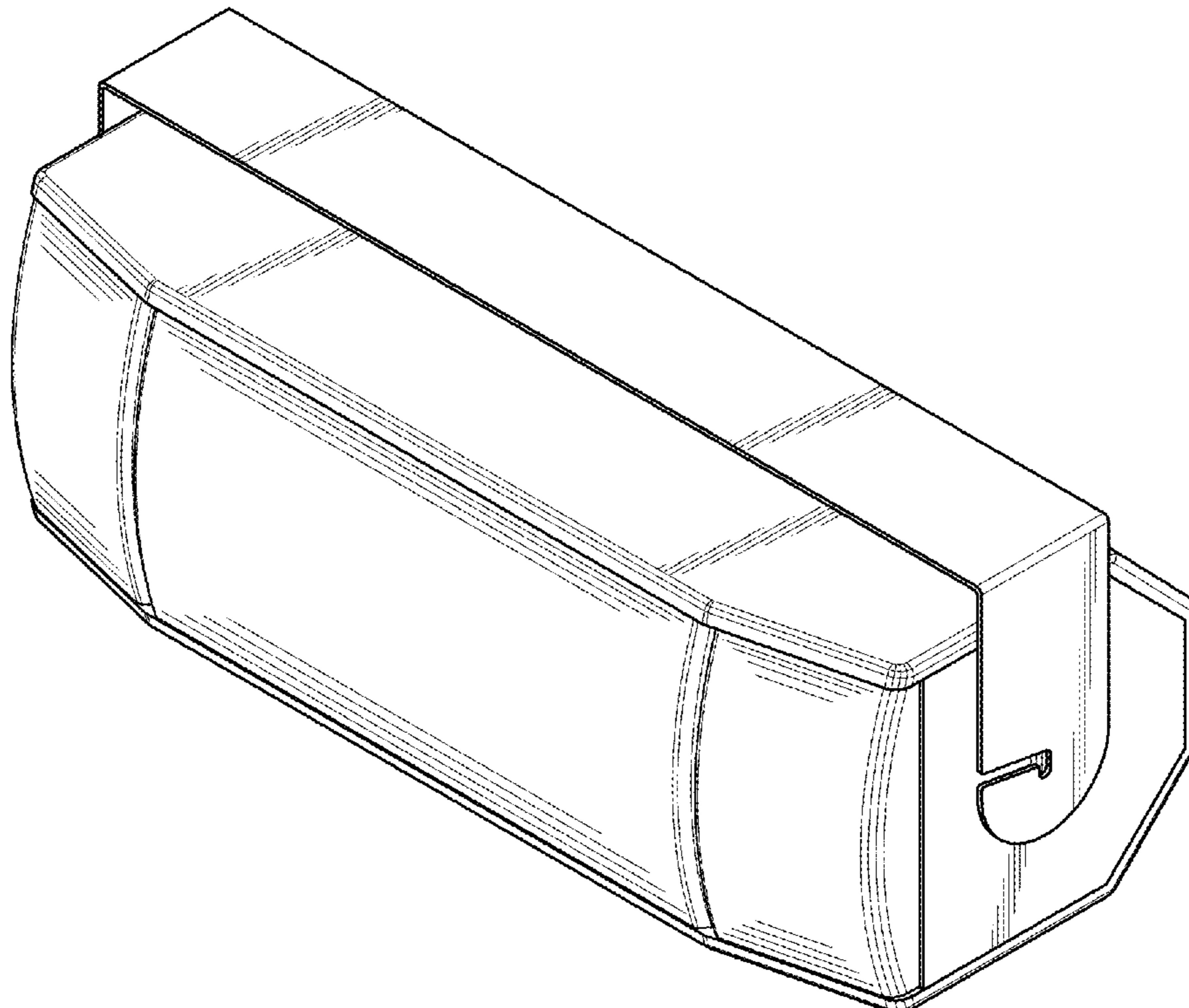
(58) **Field of Classification Search**

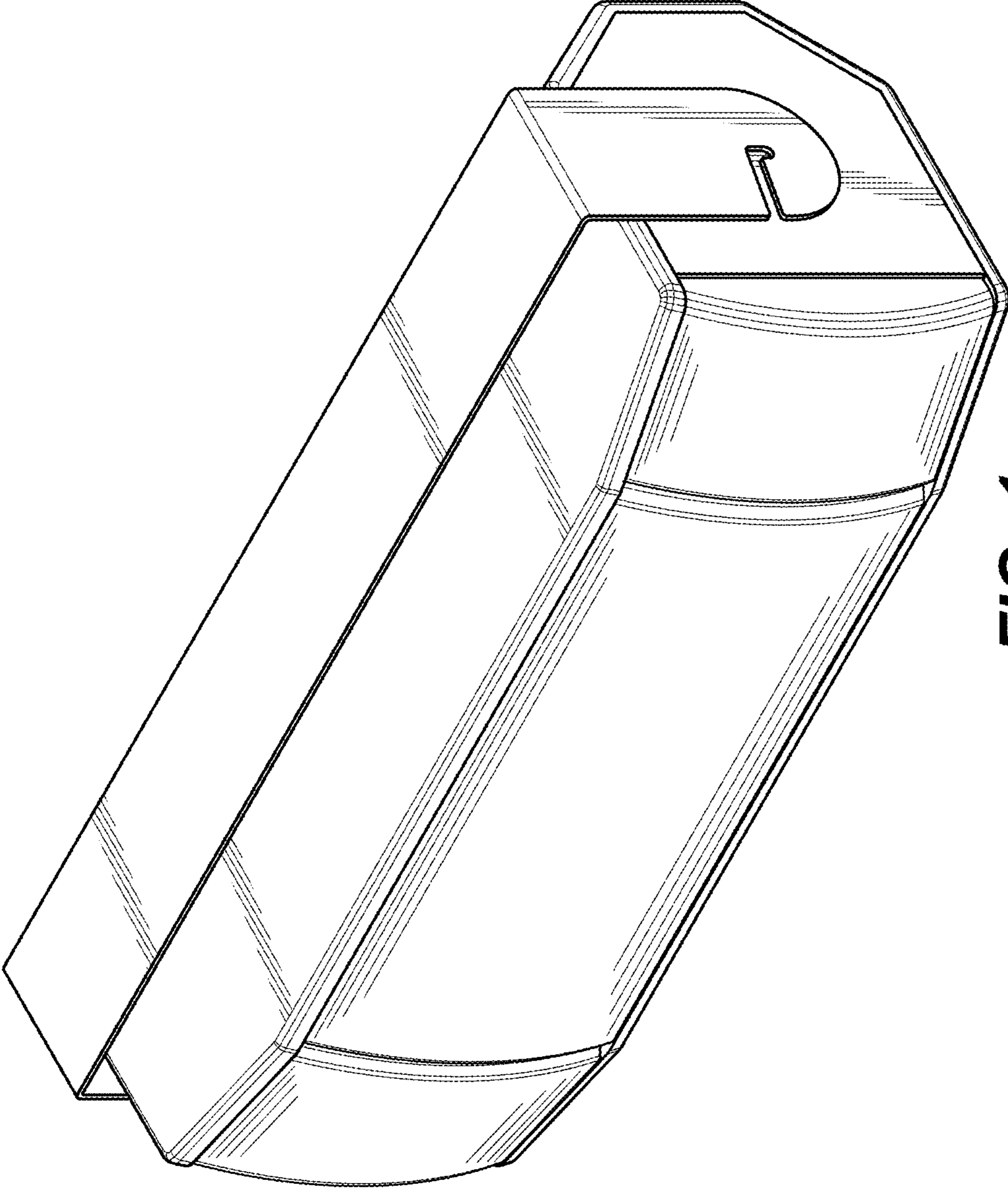
USPC ..... D14/167, 170–172, 194–196, 204, 207,  
D14/209.1, 210–216, 221, 222; 181/143,  
181/144, 147, 148, 150, 151, 153, 157,  
181/198, 199; 381/300–302, 306, 332,  
381/333, 336, 345, 361–364, 386–388

CPC ..... H04R 1/02; H04R 1/021; H04R 1/023;  
H04R 5/00; H04R 9/06; H04R 2420/07

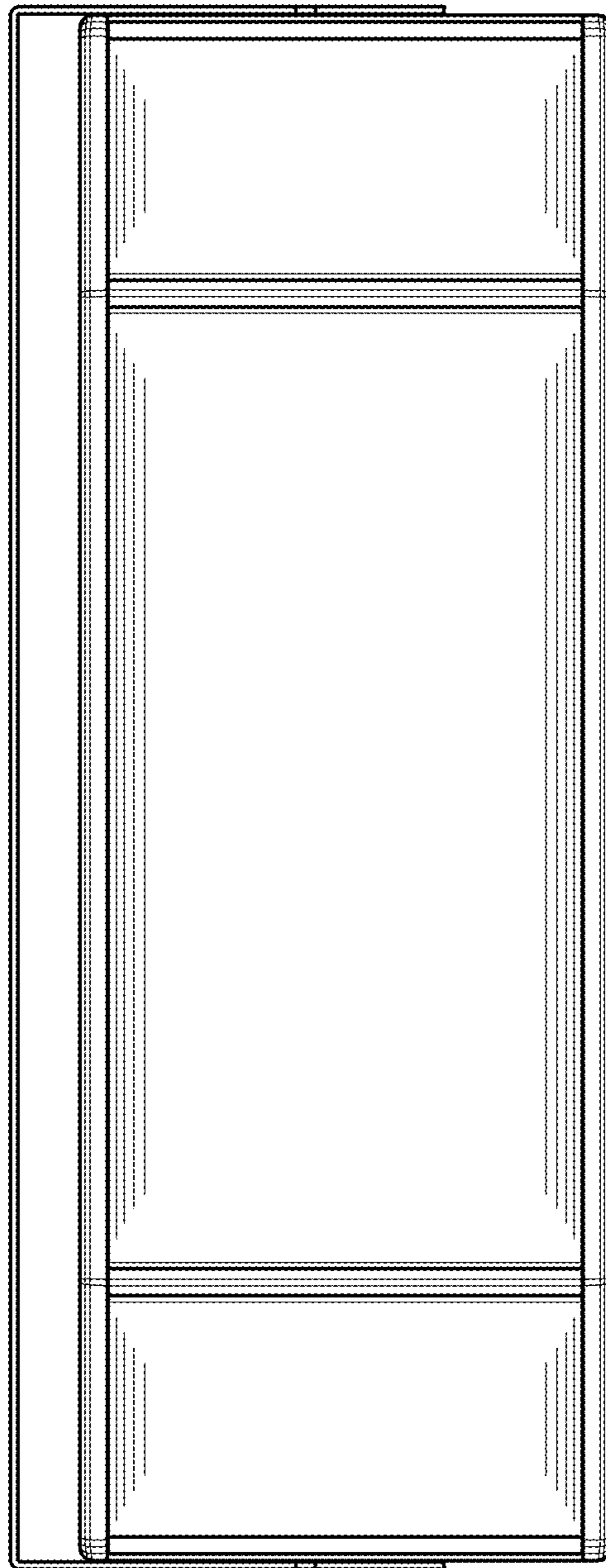
See application file for complete search history.

**1 Claim, 6 Drawing Sheets**

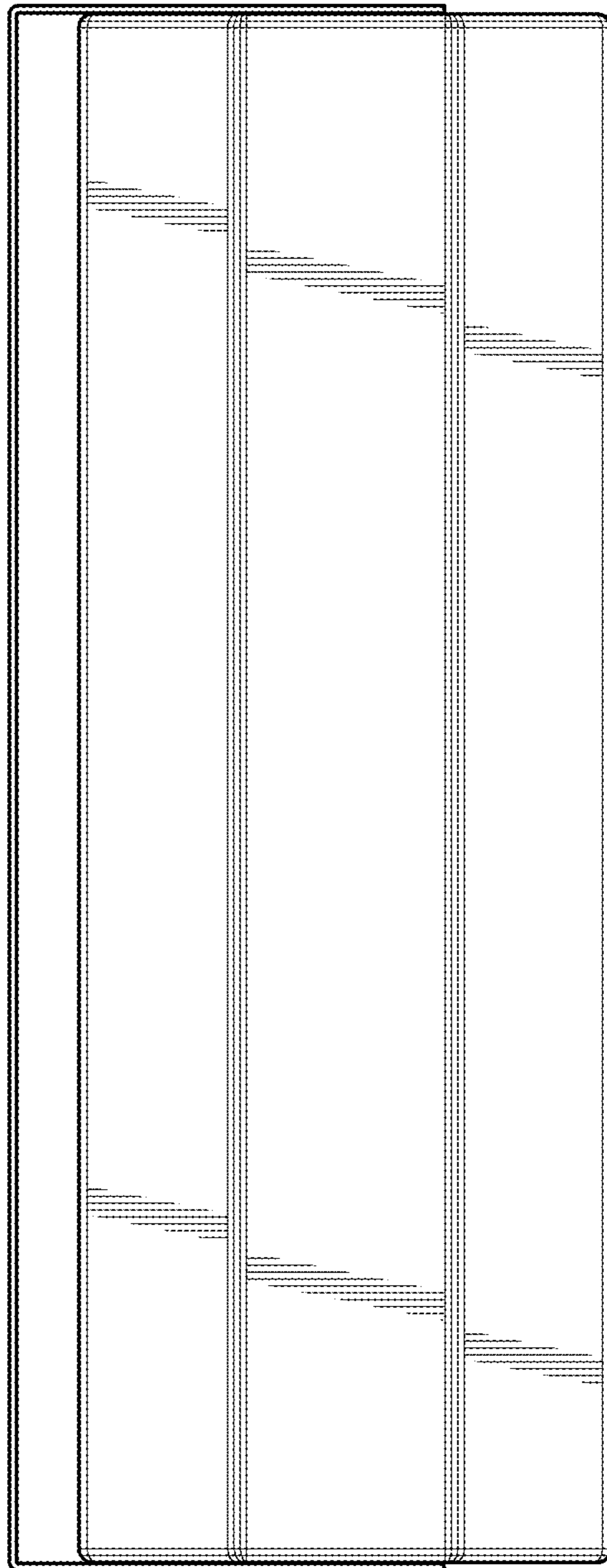




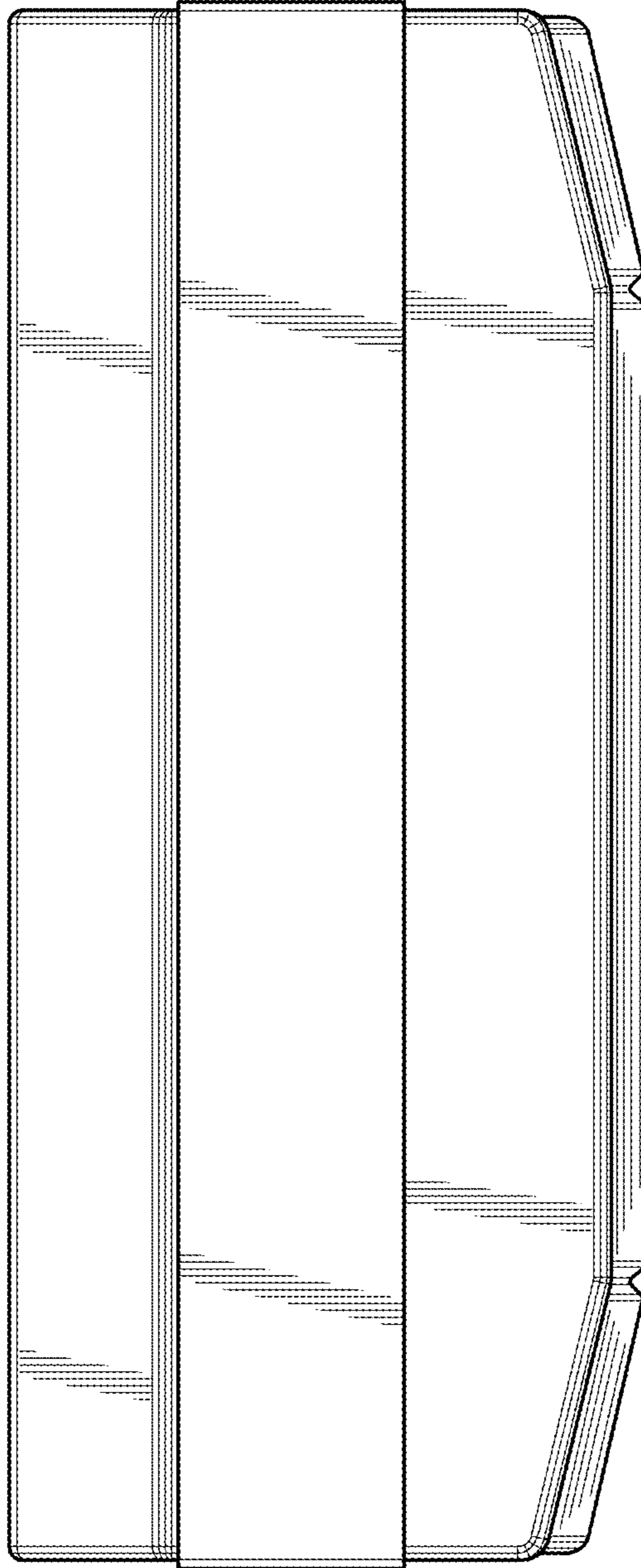
**FIG. 1**



**FIG. 2**

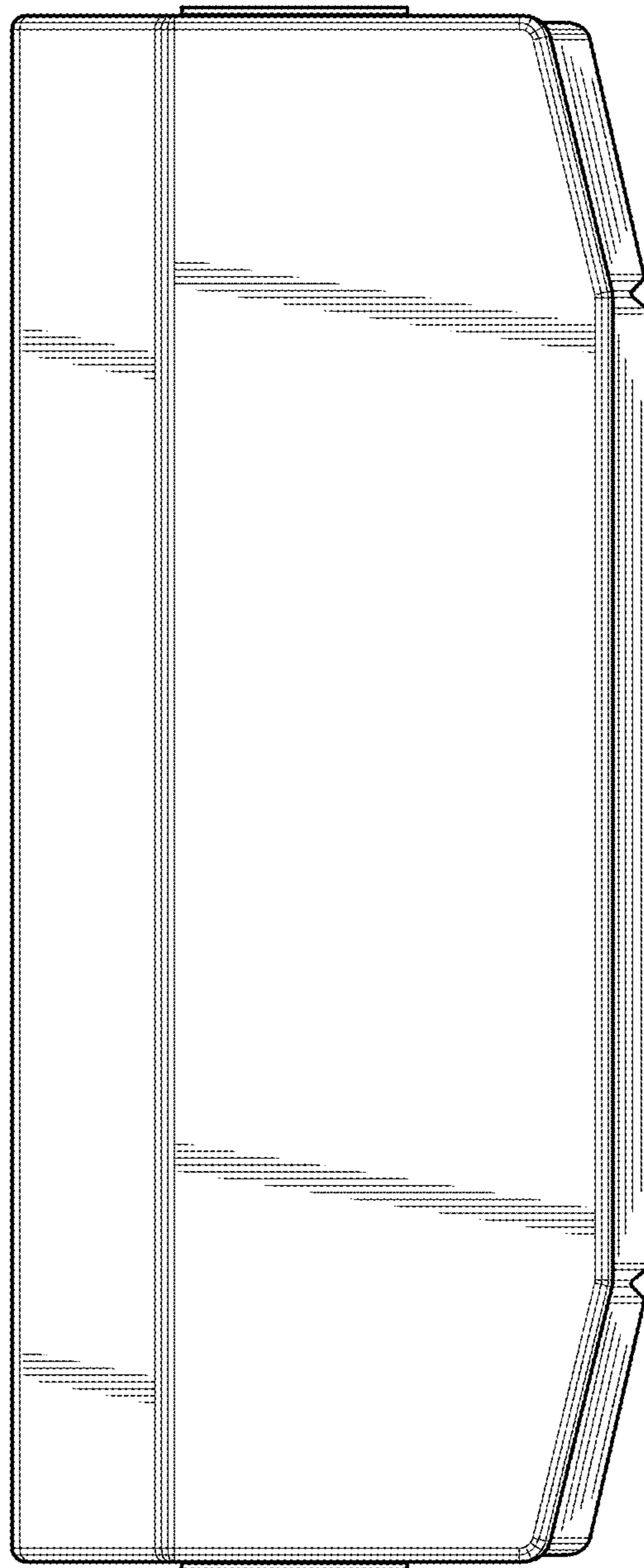


**FIG. 3**

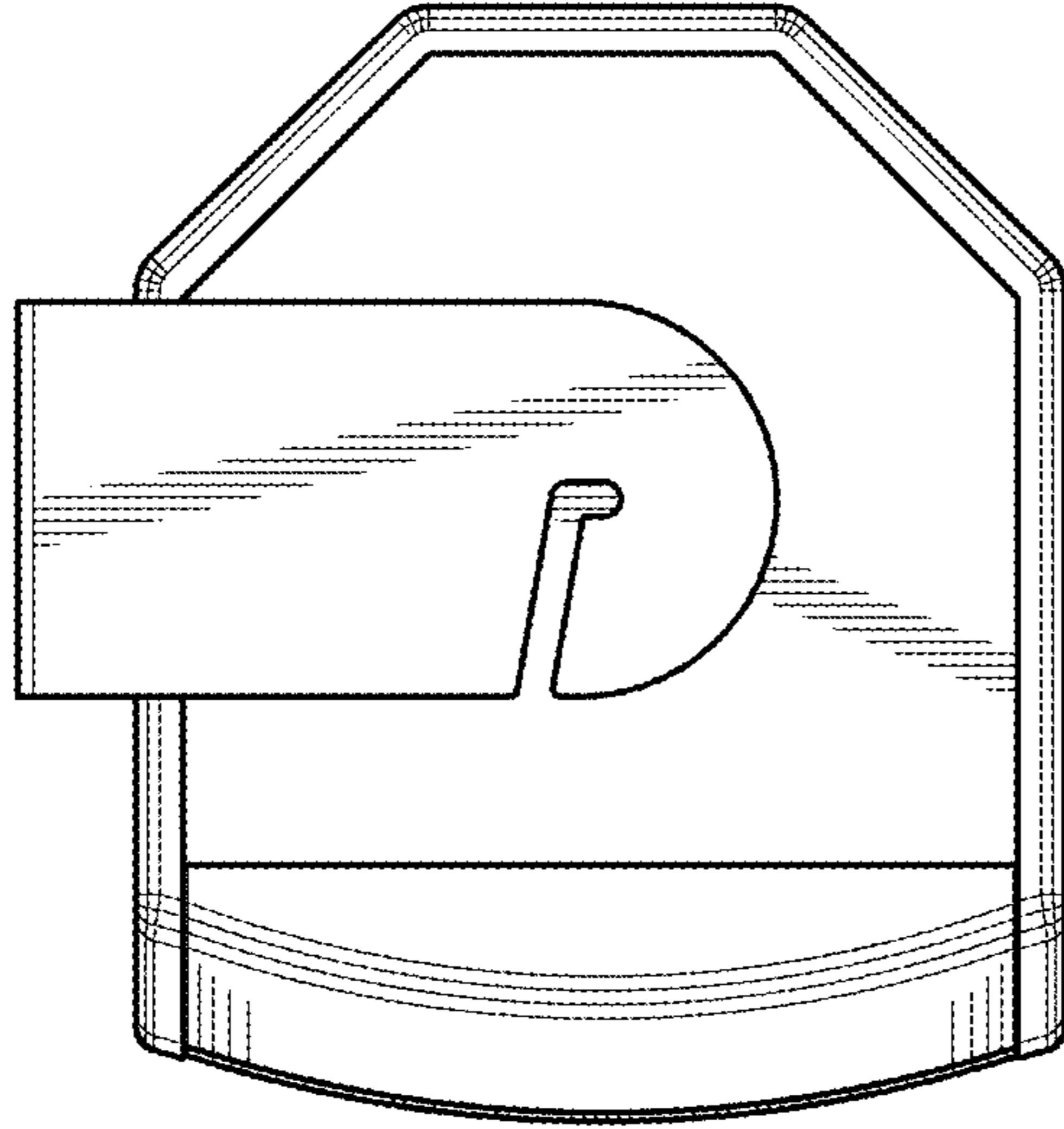


**FIG. 4**

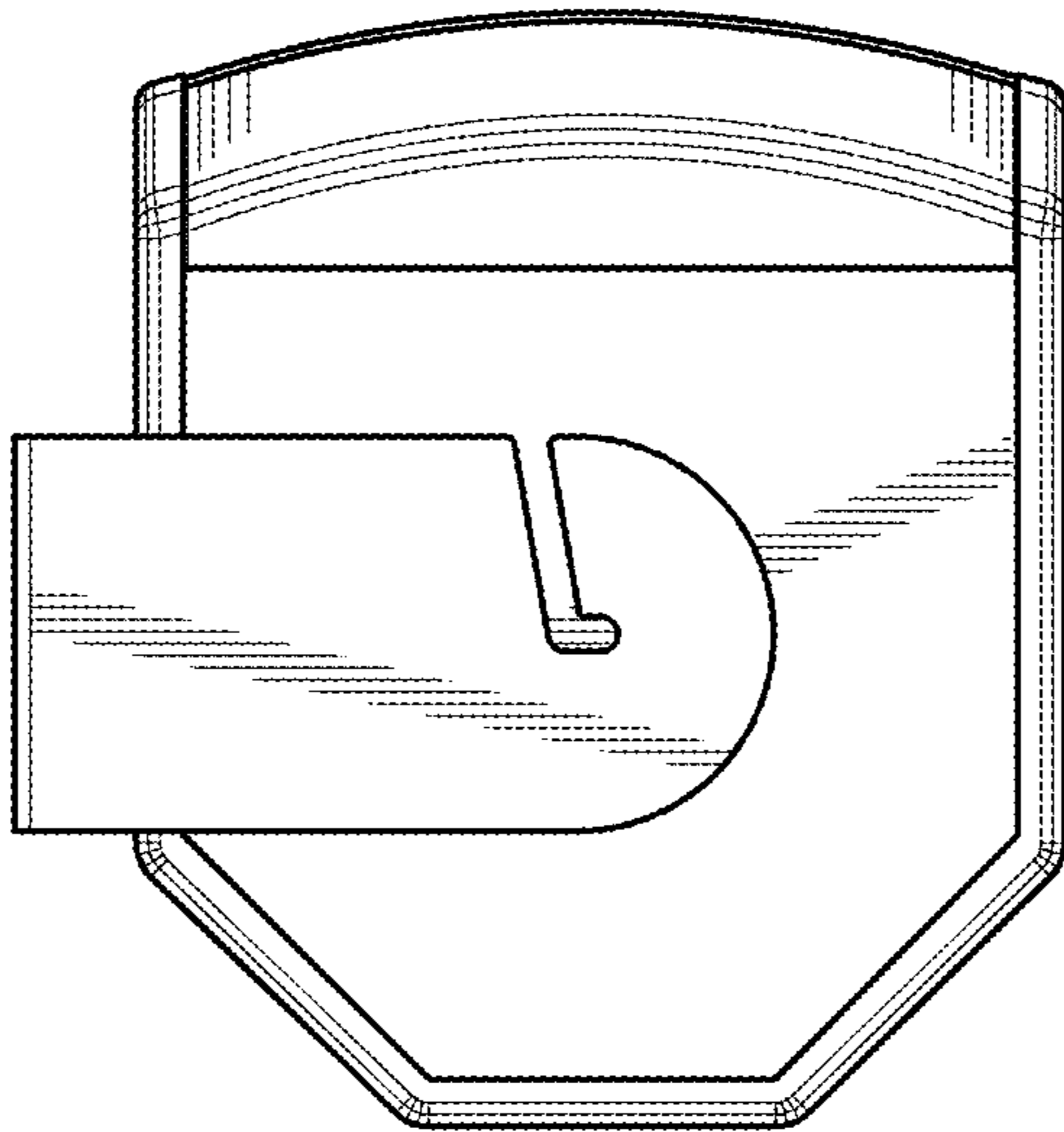




**FIG. 5**



**FIG. 6**



**FIG. 7**