



US00D784952S

(12) **United States Design Patent**
Fleming, Jr.

(10) **Patent No.: US D784,952 S**
(45) **Date of Patent: ** Apr. 25, 2017**

(54) **LINEAR SHAPED DIGITAL DISPLAY**

(71) Applicant: **Nanolumens Acquisition, Inc.**,
Norcross, GA (US)

(72) Inventor: **Michael C. Fleming, Jr.**, Gainesville,
GA (US)

(73) Assignee: **Nanolumens Acquisition, Inc.**,
Norcross, GA (US)

(**) Term: **15 Years**

(21) Appl. No.: **29/581,415**

(22) Filed: **Oct. 19, 2016**

(51) **LOC (10) Cl.** **14-03**

(52) **U.S. Cl.**
USPC **D14/203.7; D14/496**

(58) **Field of Classification Search**
USPC D14/371-374, 356, 125-129, 496,
D14/203.1-203.8, 217, 238.1, 448;
D21/324, 218, 329, 332; 273/148 B;
463/1, 29-35, 46, 47; 349/1, 5, 58;
348/40, 41, 576, 635, 639, 651, 739,
348/759-781, 790, 791, 808, 836;
345/634, 256, 280, 530, 204, 2.2, 903,
345/905; D9/418, 432, 424, 425;
220/602, 657, 659
CPC G06F 3/038; G06F 3/32; G06F 3/1446;
G06F 1/1624
See application file for complete search history.

(56) **References Cited**

U.S. PATENT DOCUMENTS

D510,920 S * 10/2005 Tandberg D14/127
D519,117 S * 4/2006 Lewis D14/374
7,142,192 B2 * 11/2006 De Waal G06F 3/038
345/1.1
7,495,576 B2 * 2/2009 Maskeny G09G 3/32
340/815.4
D600,233 S * 9/2009 Birsell D14/127

D600,695 S 9/2009 Niitsu et al.
7,823,308 B1 * 11/2010 Munson H05K 5/04
345/1.1
D633,454 S * 3/2011 Mitsuhashi D14/126
8,152,312 B2 * 4/2012 Kondo H04N 9/3147
345/1.1
D663,707 S * 7/2012 Derocher D14/127
8,281,249 B2 * 10/2012 Nolte G06F 3/1446
345/1.1
8,384,616 B2 * 2/2013 Elliott G09F 9/33
345/1.1
8,582,282 B2 11/2013 Kim et al.
8,593,578 B1 11/2013 Geronimi
8,619,414 B2 12/2013 Lee
8,665,366 B2 * 3/2014 Lien G06F 3/1446
345/1.1
D715,798 S 10/2014 Cruz et al.
D716,298 S 10/2014 Cruz et al.

(Continued)

Primary Examiner — Prabhakar Deshmukh
(74) *Attorney, Agent, or Firm* — Theodore Heske, III

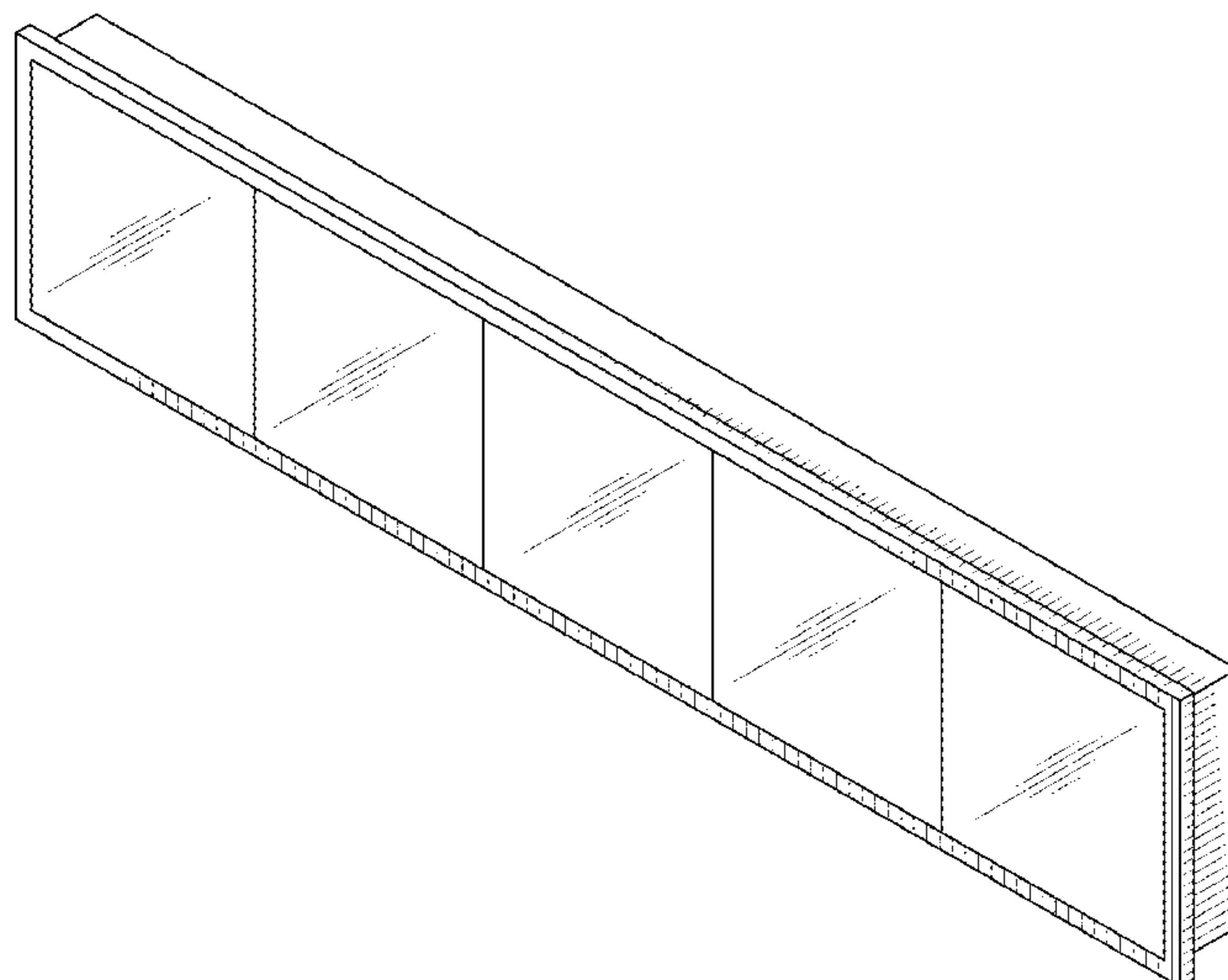
(57) **CLAIM**

The ornamental design for a linear shaped digital display, as shown and described.

DESCRIPTION

FIG. 1 is a perspective view of a linear shaped digital display showing our new design;
FIG. 2 is a front elevation view thereof;
FIG. 3 is a back elevation view thereof;
FIG. 4 is a top plan view thereof;
FIG. 5 is a bottom plan view thereof;
FIG. 6 is a left elevation view thereof;
FIG. 7 is a right elevation view thereof; and,
FIG. 8 is a perspective view showing the back of our linear shaped digital display.
The broken lines illustrate unclaimed portions and form no part of the claimed design.

1 Claim, 4 Drawing Sheets



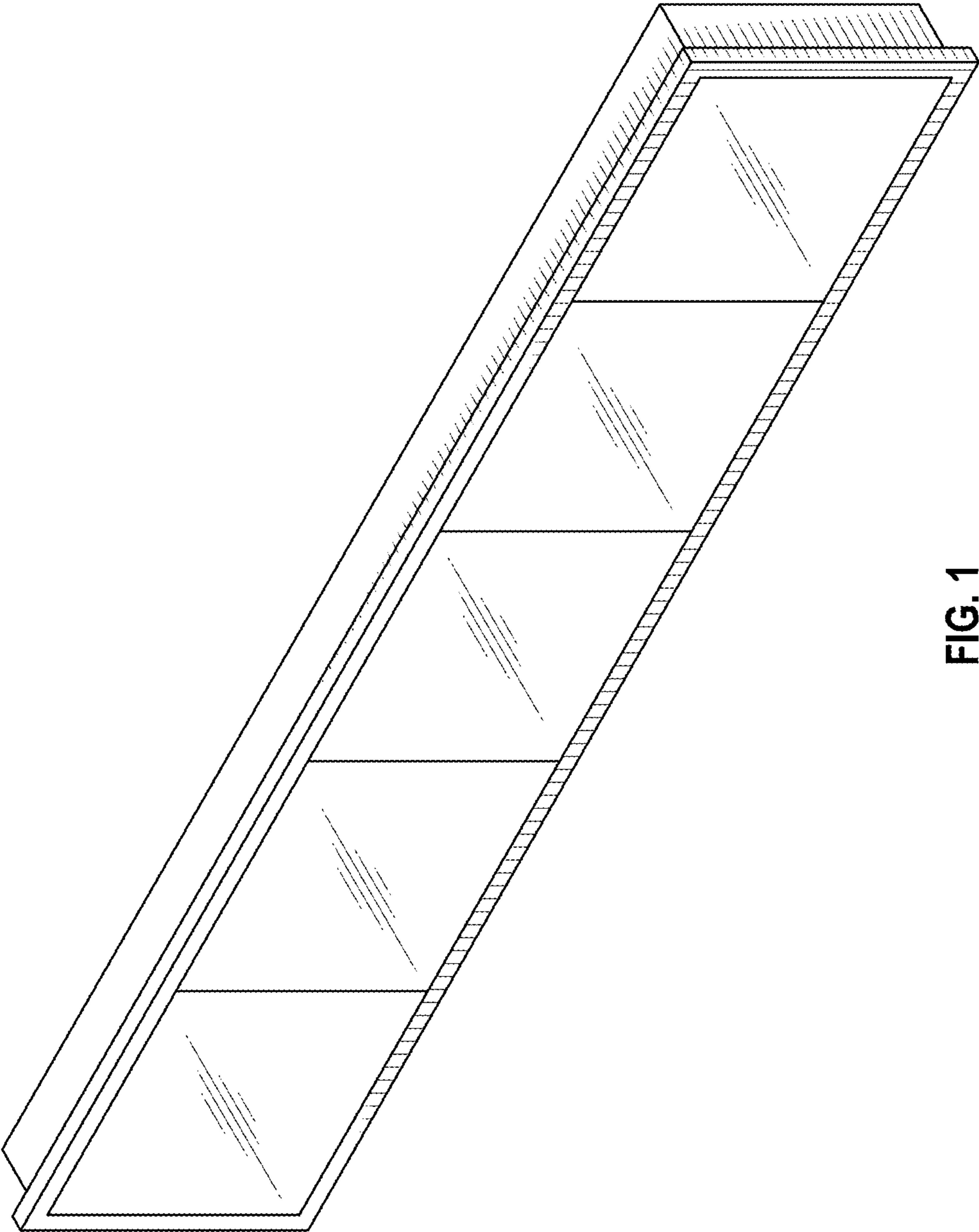


FIG. 1

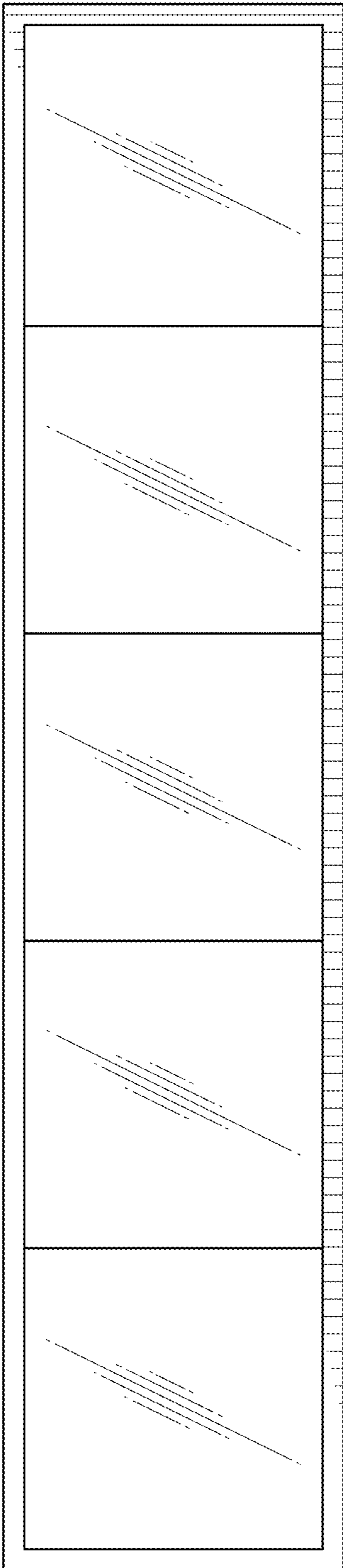


FIG. 2

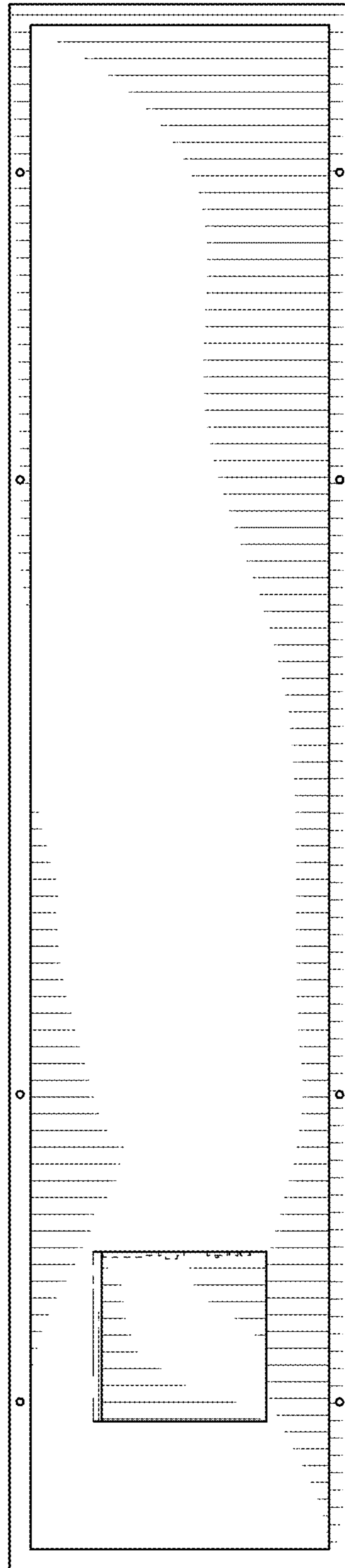


FIG. 3

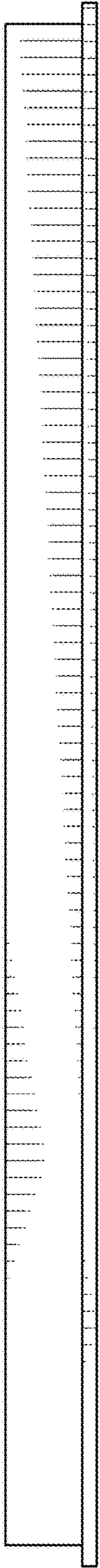


FIG. 4

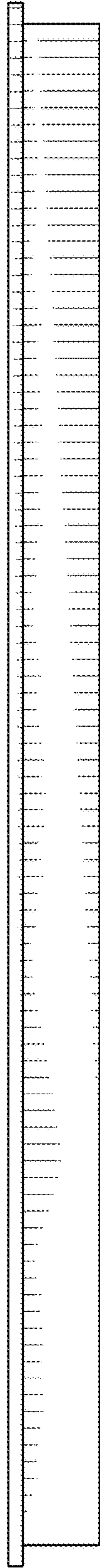


FIG. 5

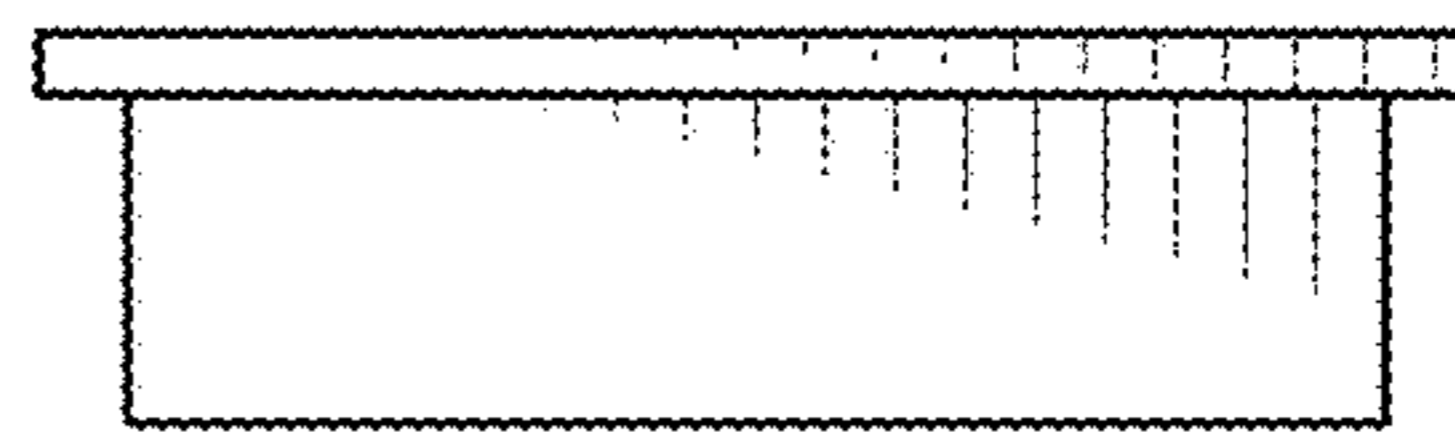


FIG. 6

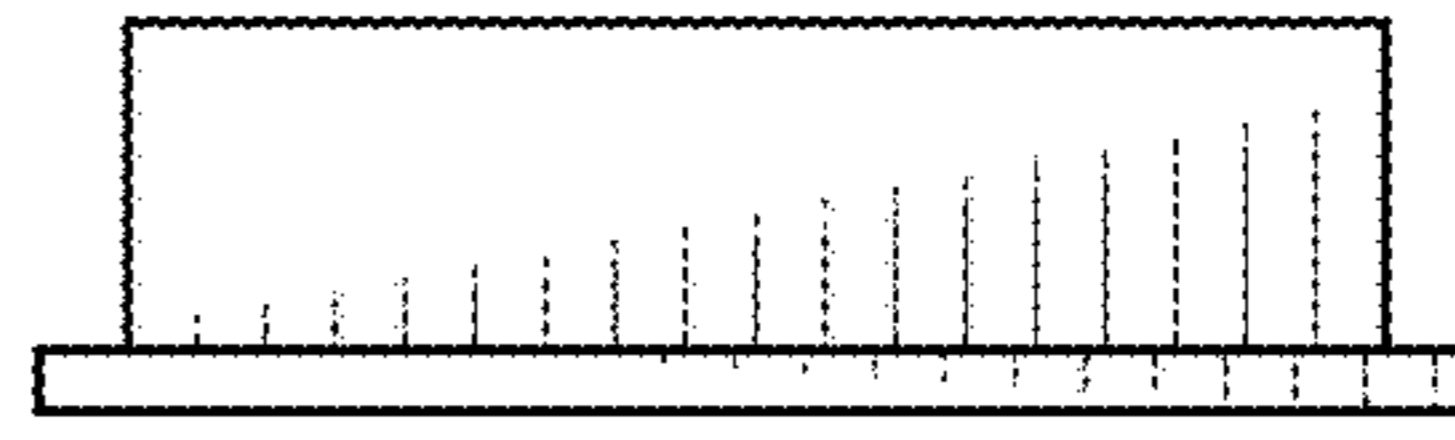


FIG. 7

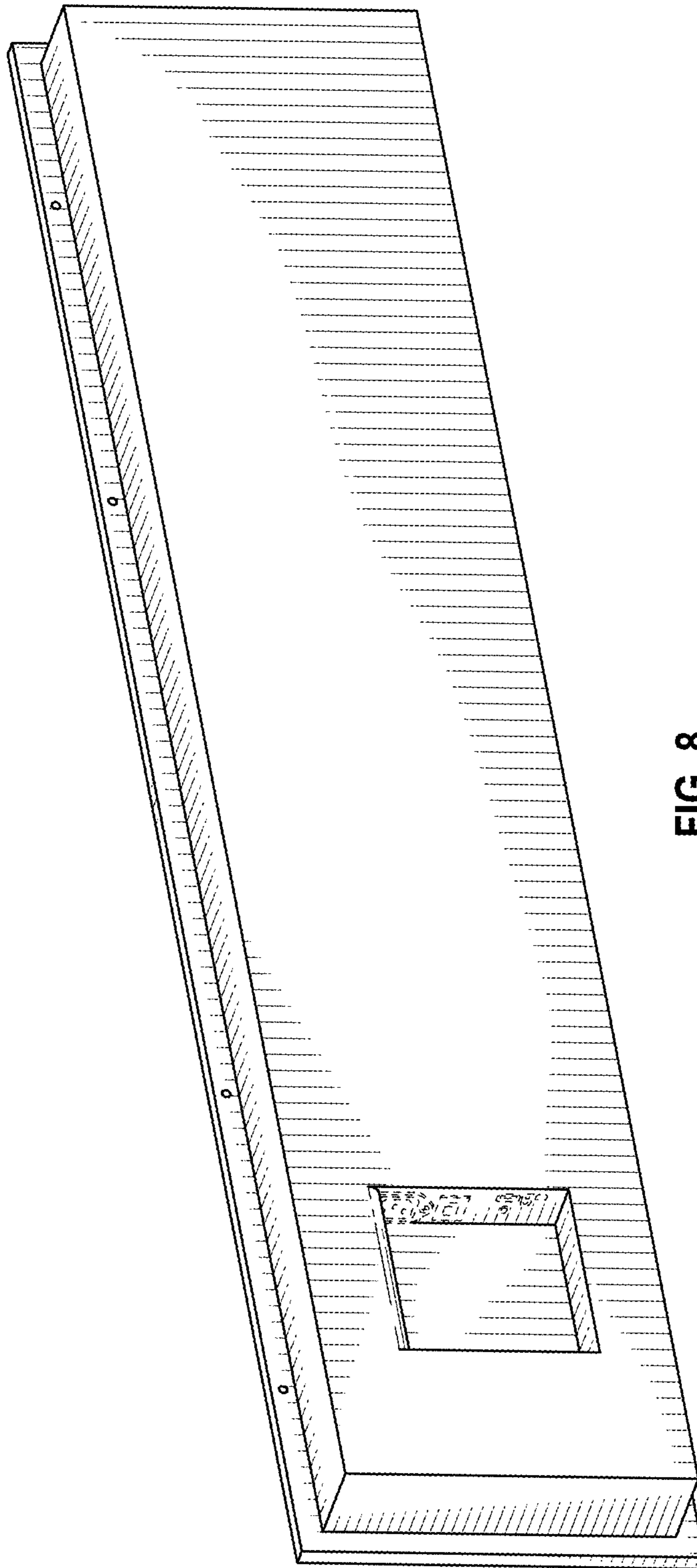


FIG. 8