



US00D784945S

(12) **United States Design Patent** (10) **Patent No.:** **US D784,945 S**  
**Choo et al.** (45) **Date of Patent:** **\*\* Apr. 25, 2017**

(54) **MOBILE PHONE**

(71) Applicant: **LG ELECTRONICS INC.**, Seoul (KR)

(72) Inventors: **Zhimin Choo**, Seoul (KR); **Seihyun Cho**, Seoul (KR); **Hyunjin Yoon**, Seoul (KR); **Sanghyuck Lee**, Seoul (KR)

(73) Assignee: **LG Electronics Inc.**, Seoul (KR)

(\*\*) Term: **14 Years**

(21) Appl. No.: **29/514,004**

(22) Filed: **Jan. 7, 2015**

(30) **Foreign Application Priority Data**

Jul. 8, 2014 (KR) ..... 30-2014-0033467

(51) **LOC (10) Cl.** ..... **14-03**

(52) **U.S. Cl.**  
USPC ..... **D14/138 AB**; D14/345

(58) **Field of Classification Search**  
USPC ..... D14/138 AA, 138 AB, 138 AD, 138 G,  
D14/138 R, 341, 345, 203.7, 248, 496,  
(Continued)

(56) **References Cited**

**U.S. PATENT DOCUMENTS**

6,016,176 A \* 1/2000 Kim ..... G02F 1/133305  
349/158  
D517,328 S \* 3/2006 Thrall ..... D6/300  
(Continued)

**OTHER PUBLICATIONS**

“LG Triptych concept tablet-phone,” Triptych concept tablet-phone shown therein, as posted at wordlessTECH [online], posted on Feb.

12, 2011, [site visited Jul. 28, 2016]. Available from the Internet, <URL: <https://wordlesstech.com/lg-triptych-concept-tablet-phone/>>.\*

(Continued)

*Primary Examiner* — Jeffrey D Asch  
*Assistant Examiner* — Rebekah A Caruso

(74) *Attorney, Agent, or Firm* — Birch, Stewart, Kolasch & Birch, LLP

(57) **CLAIM**

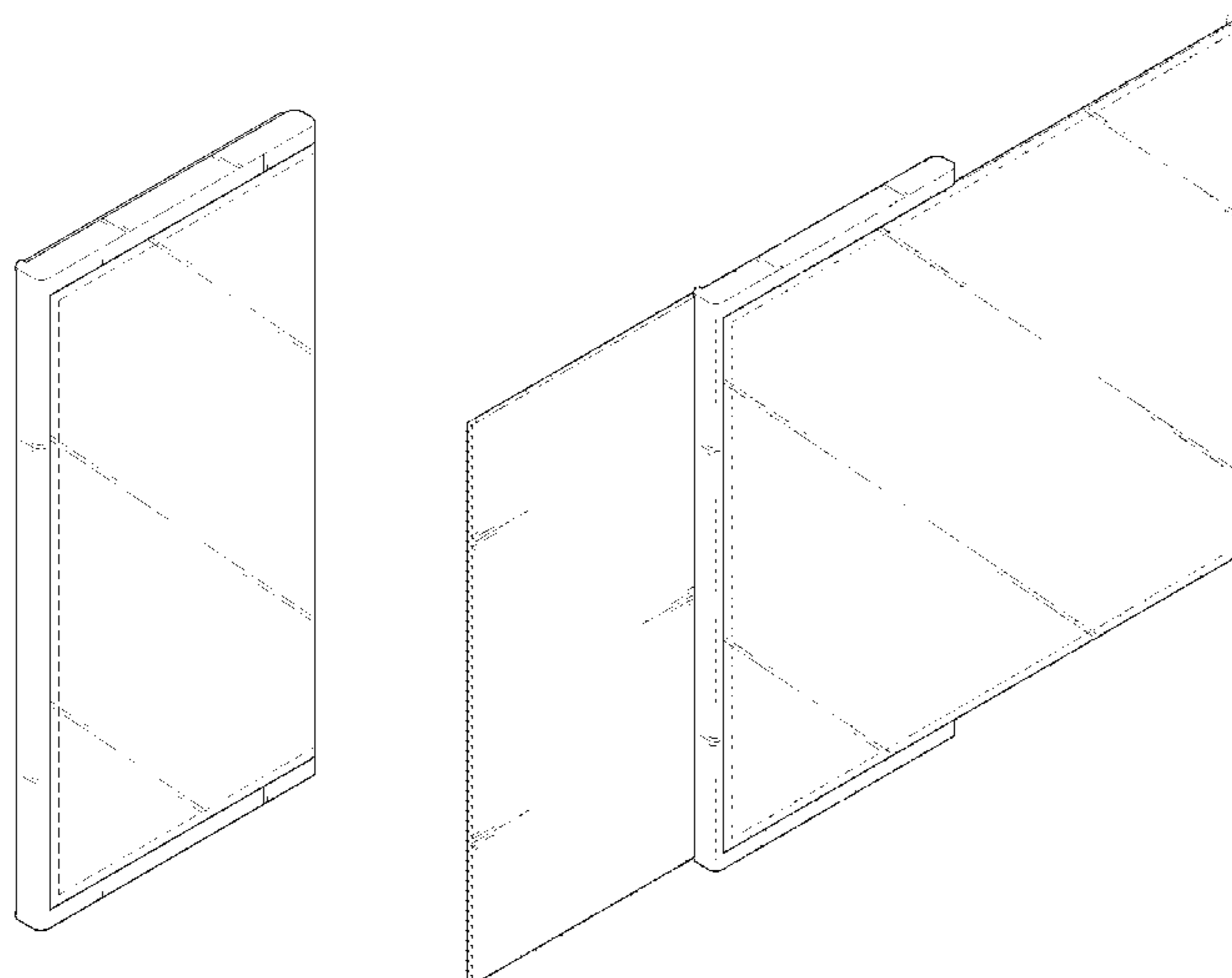
The ornamental design for a mobile phone, as shown and described.

**DESCRIPTION**

FIG. 1 is a perspective view of a mobile phone showing our new design in which the back cover has been closed in a condition that the display part has been bent backwards; FIG. 2 is a front view thereof; FIG. 3 is a rear view thereof; FIG. 4 is a left side view thereof; FIG. 5 is a right side view thereof; FIG. 6 is a top plan view thereof; FIG. 7 is a perspective view thereof, showing the back cover in a closed position and the display portion unfolded; FIG. 8 is a perspective view thereof, showing the back cover in an open position and the display portion bent backwards; FIG. 9 is a front view of FIG. 8; FIG. 10 is a rear view of FIG. 8; FIG. 11 is a top plan view of FIG. 8; FIG. 12 is a perspective view thereof, showing the back cover in an open position and the display portion unfolded; FIG. 13 is a front view of FIG. 12; FIG. 14 is a rear view of FIG. 12; and, FIG. 15 is a top plan view of FIG. 12.

The broken lines shown in the figures that are immediately adjacent to the shaded areas and define unshaded regions represent the bounds of the claim. The broken lines that appear as an inset frame adjacent the edges of the front of the display screen, are directed to environment. The broken lines form no part of the claimed design.

**1 Claim, 15 Drawing Sheets**



(58) **Field of Classification Search**

USPC ..... D14/344; D10/65; 361/679.27;  
 D27/186; D3/218, 247; D28/64.1;  
 D6/300–302, 312; 40/124.2, 610, 774,  
 40/779, 780; D19/26  
 CPC .... G06F 1/1652; G06F 1/1616; G06F 1/1618;  
 G06F 1/1624; H04M 1/0222; H04M  
 1/0254; H04M 1/0256

See application file for complete search history.

(56) **References Cited**

U.S. PATENT DOCUMENTS

D543,707 S \* 6/2007 Chan ..... D6/312  
 D580,928 S \* 11/2008 Bemelmans ..... D14/345  
 D597,090 S \* 7/2009 Bemelmans ..... D14/341  
 7,556,384 B2 \* 7/2009 Chan ..... A45D 42/18  
 353/122  
 7,558,057 B1 \* 7/2009 Naksen ..... G06F 1/1613  
 361/679.3  
 8,089,758 B2 \* 1/2012 Zhu ..... G06F 1/1618  
 312/223.1  
 8,151,501 B2 \* 4/2012 Bemelmans ..... G06F 1/1601  
 40/603  
 8,662,731 B2 \* 3/2014 Wang ..... G09F 9/30  
 349/61

8,681,103 B2 \* 3/2014 Cha ..... G06F 1/1626  
 345/169  
 D716,253 S \* 10/2014 Lee ..... D14/138 AB  
 8,873,225 B2 \* 10/2014 Huitema ..... G06F 1/1615  
 345/168  
 9,239,594 B2 \* 1/2016 Lee ..... G06F 1/1652  
 D760,218 S \* 6/2016 Yamazaki ..... D14/341  
 D761,253 S \* 7/2016 Yamazaki ..... D14/341  
 D761,789 S \* 7/2016 Yamazaki ..... D14/341  
 D766,891 S \* 9/2016 Hong ..... D14/341  
 D769,209 S \* 10/2016 Byun ..... D14/138 AB  
 D770,446 S \* 11/2016 Cho ..... D14/341  
 2008/0204367 A1 \* 8/2008 Lafarre ..... G06F 1/1615  
 345/55  
 2010/0164973 A1 \* 7/2010 Huitema ..... G06F 1/1615  
 345/581  
 2014/0213324 A1 \* 7/2014 Tan ..... H04M 1/0268  
 455/566

OTHER PUBLICATIONS

“Samsung unveils flexible OLED screen smartphone,” Flexible  
 OLED Phone shown therein, as posted at Inhabit [online], posted on  
 Nov. 7, 2011 [site visited Jul. 28, 2016] Available from the Internet,  
 <URL: [http://inhabitat.com/samsung-to-launch-flexible-oled-cell-  
 phone-next-year/](http://inhabitat.com/samsung-to-launch-flexible-oled-cell-phone-next-year/)>.\*

\* cited by examiner

FIG. 1

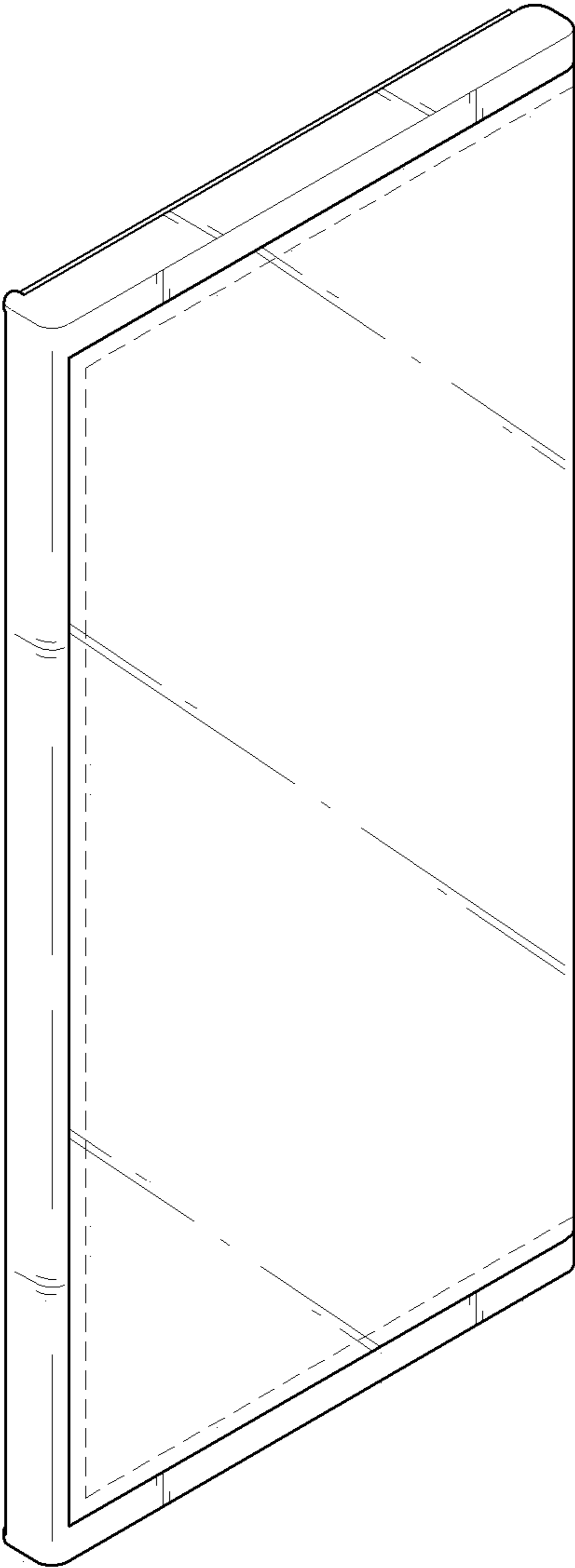


FIG. 2

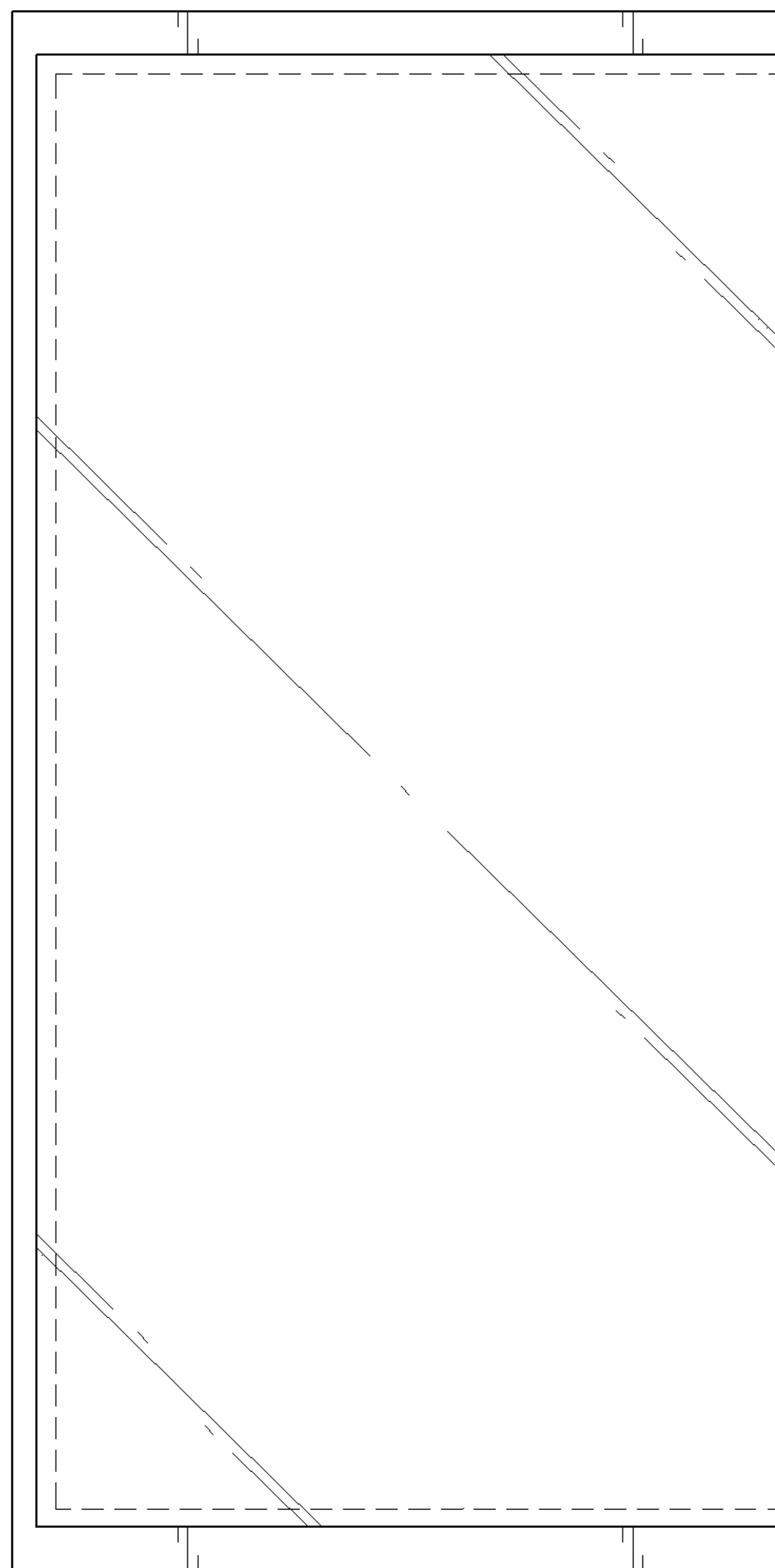


FIG. 3

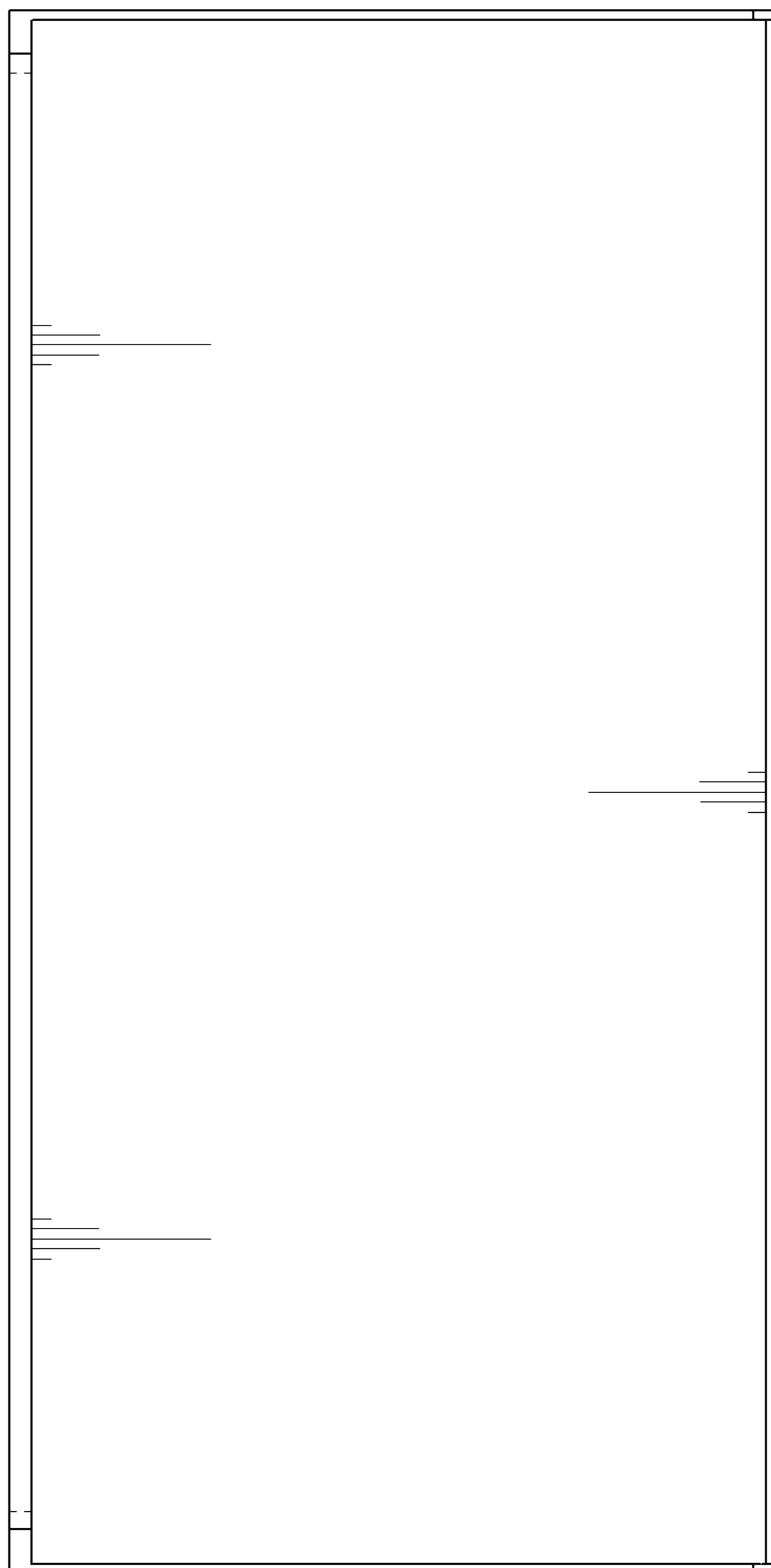


FIG. 4

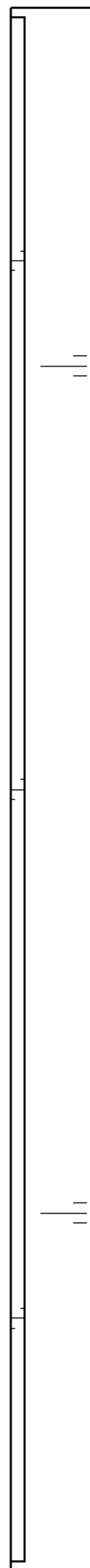


FIG. 5

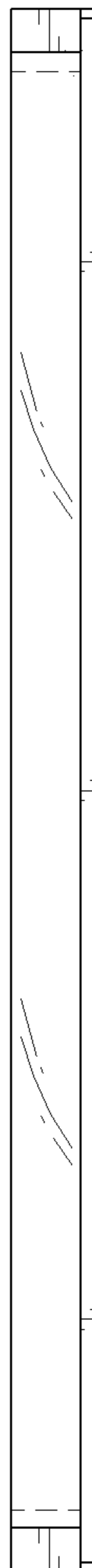


FIG. 6

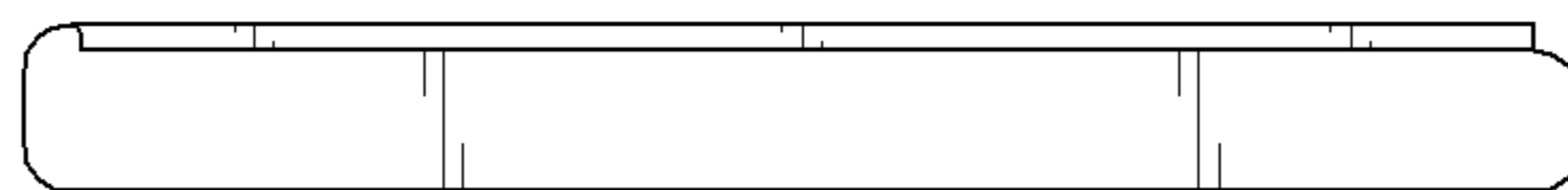




FIG. 7

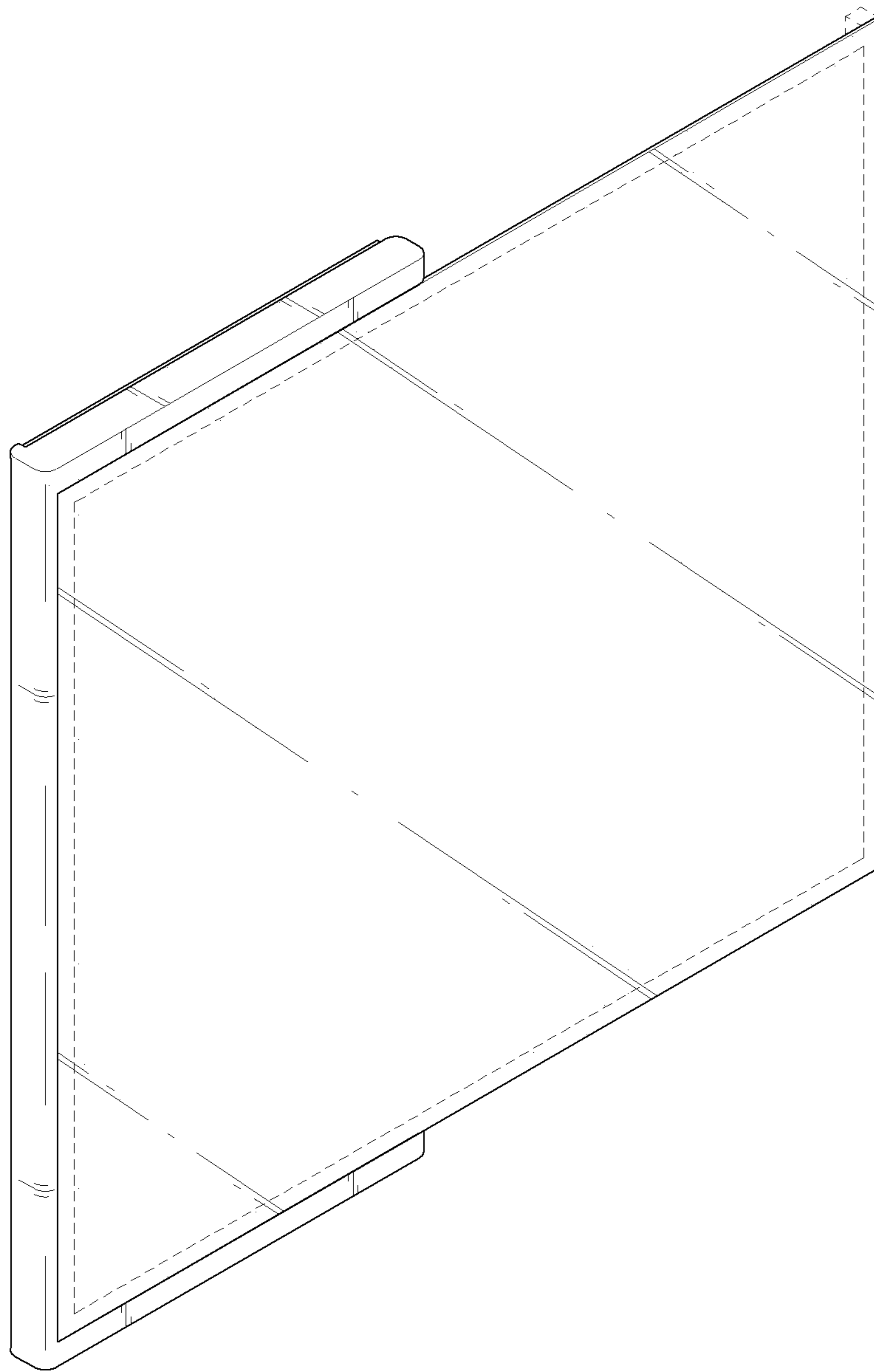


FIG. 8

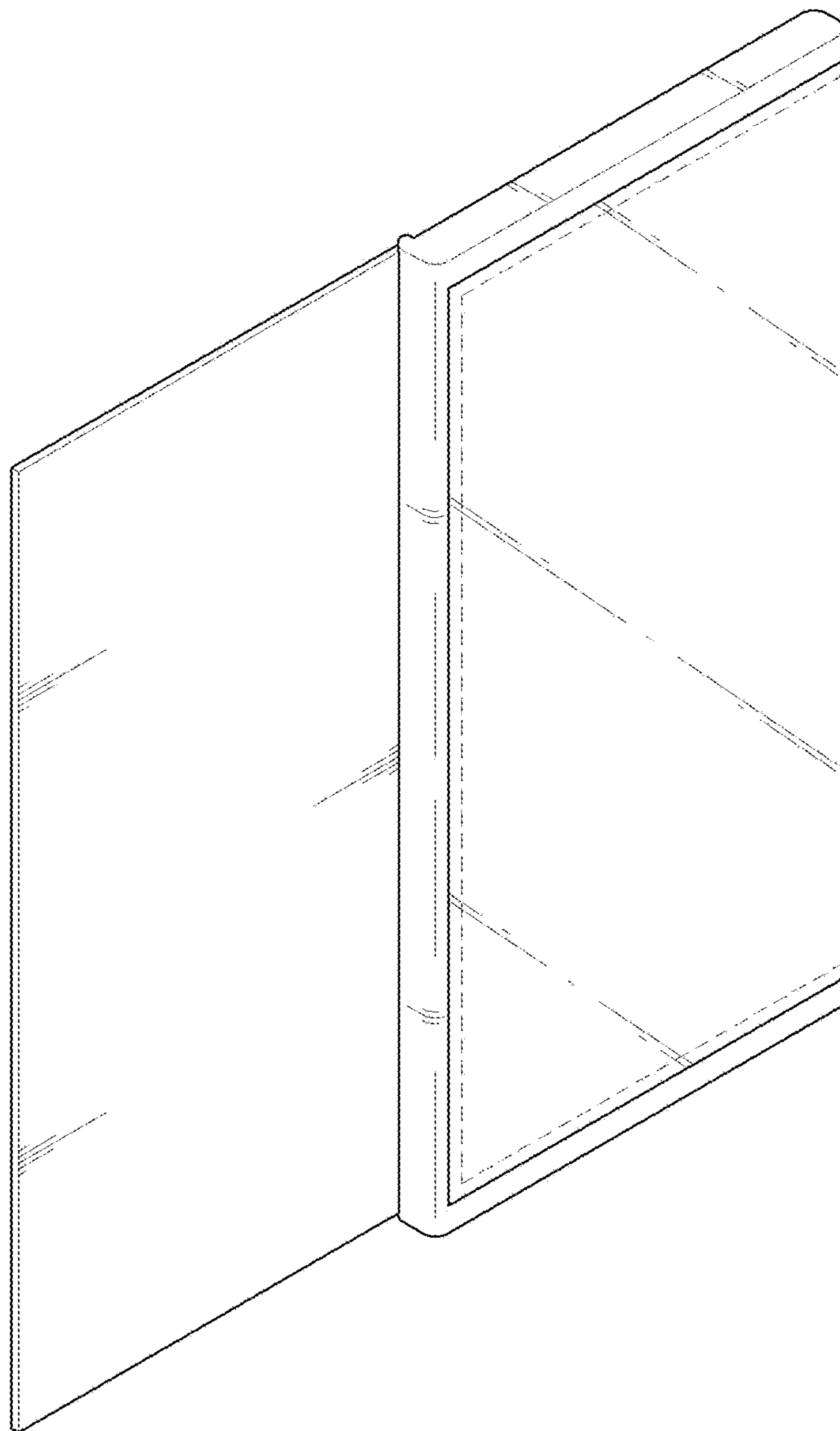


FIG. 9

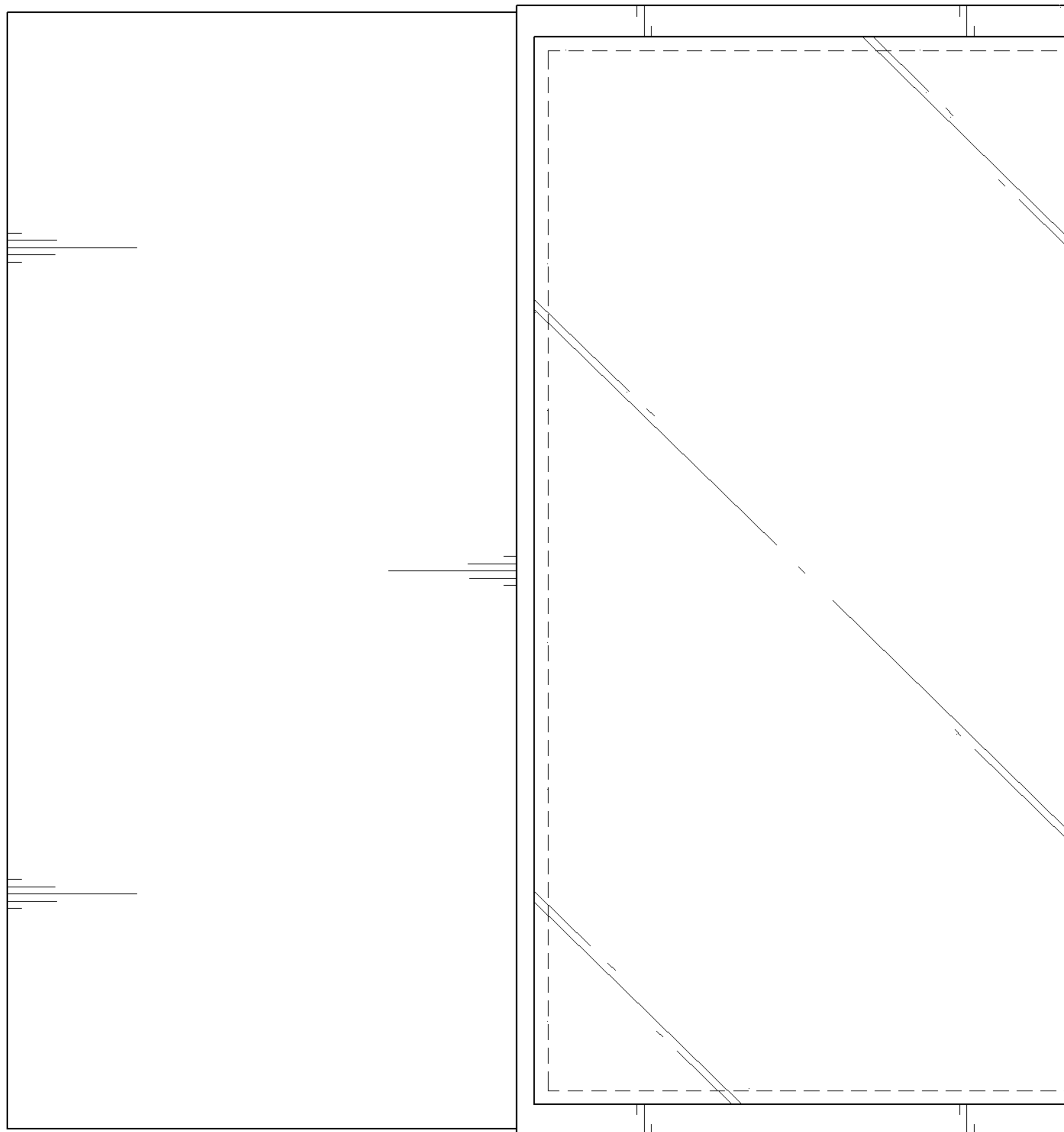


FIG. 10

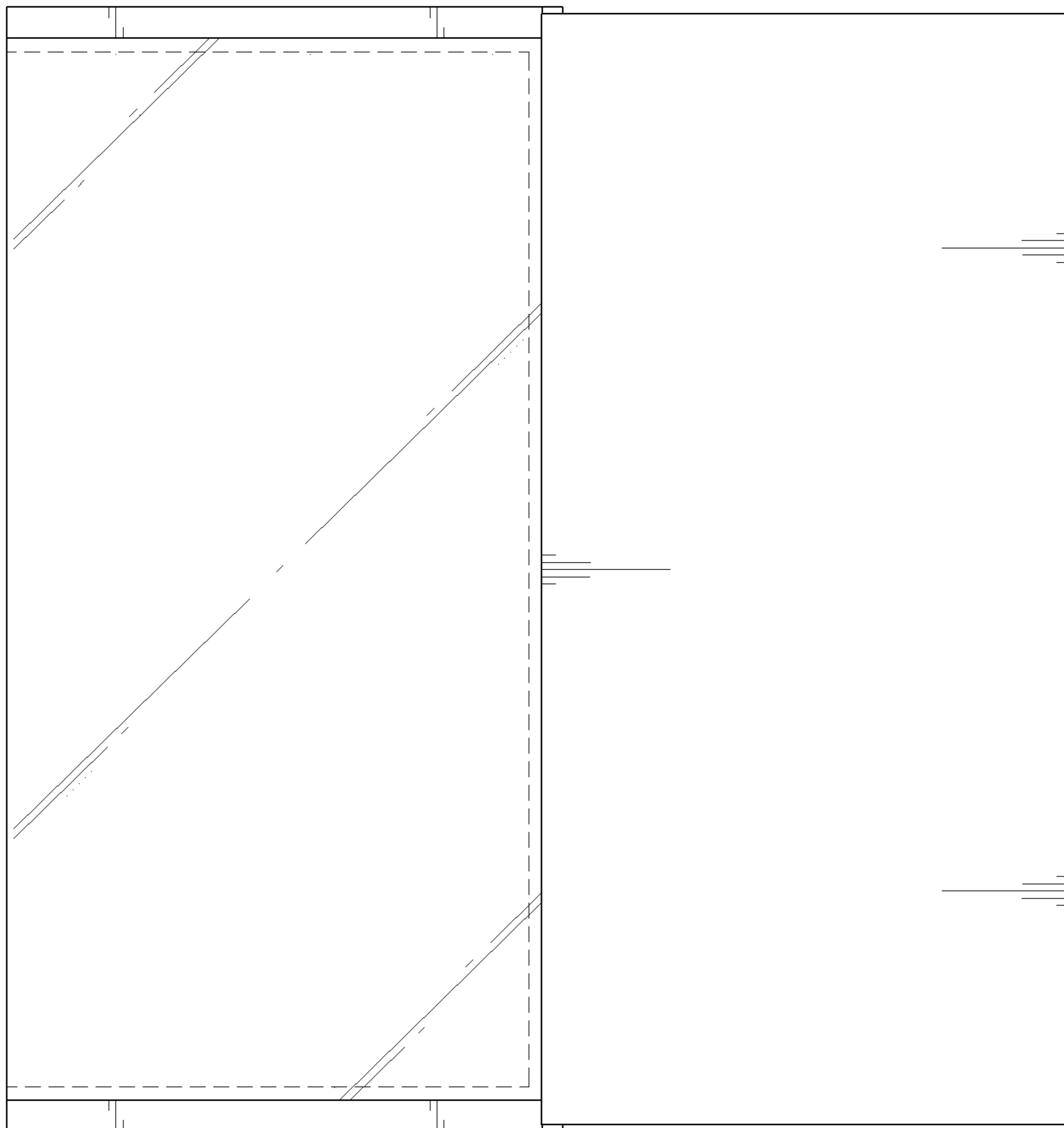


FIG. 11

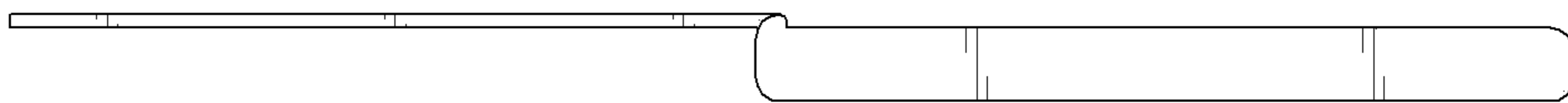


FIG. 12

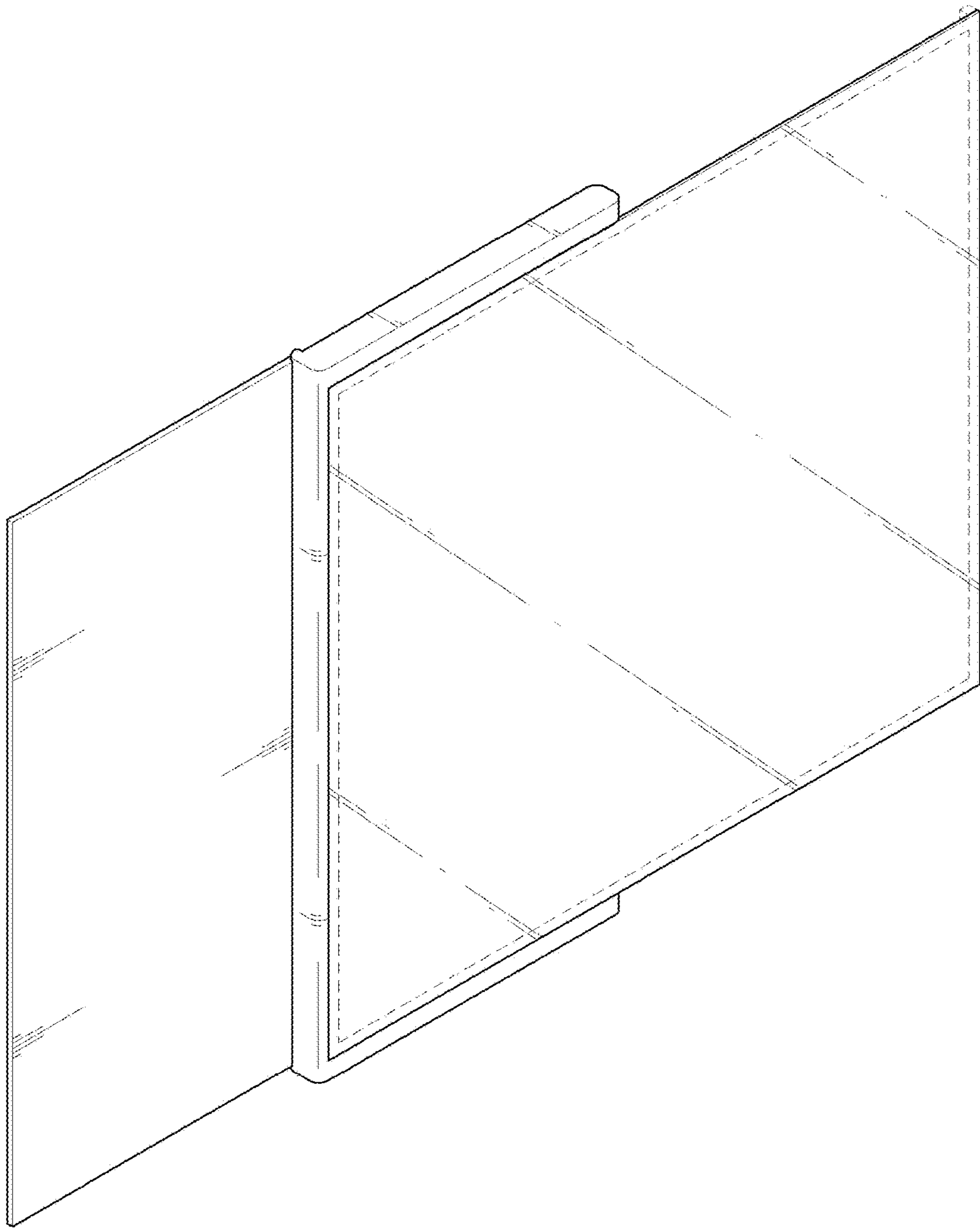


FIG. 13

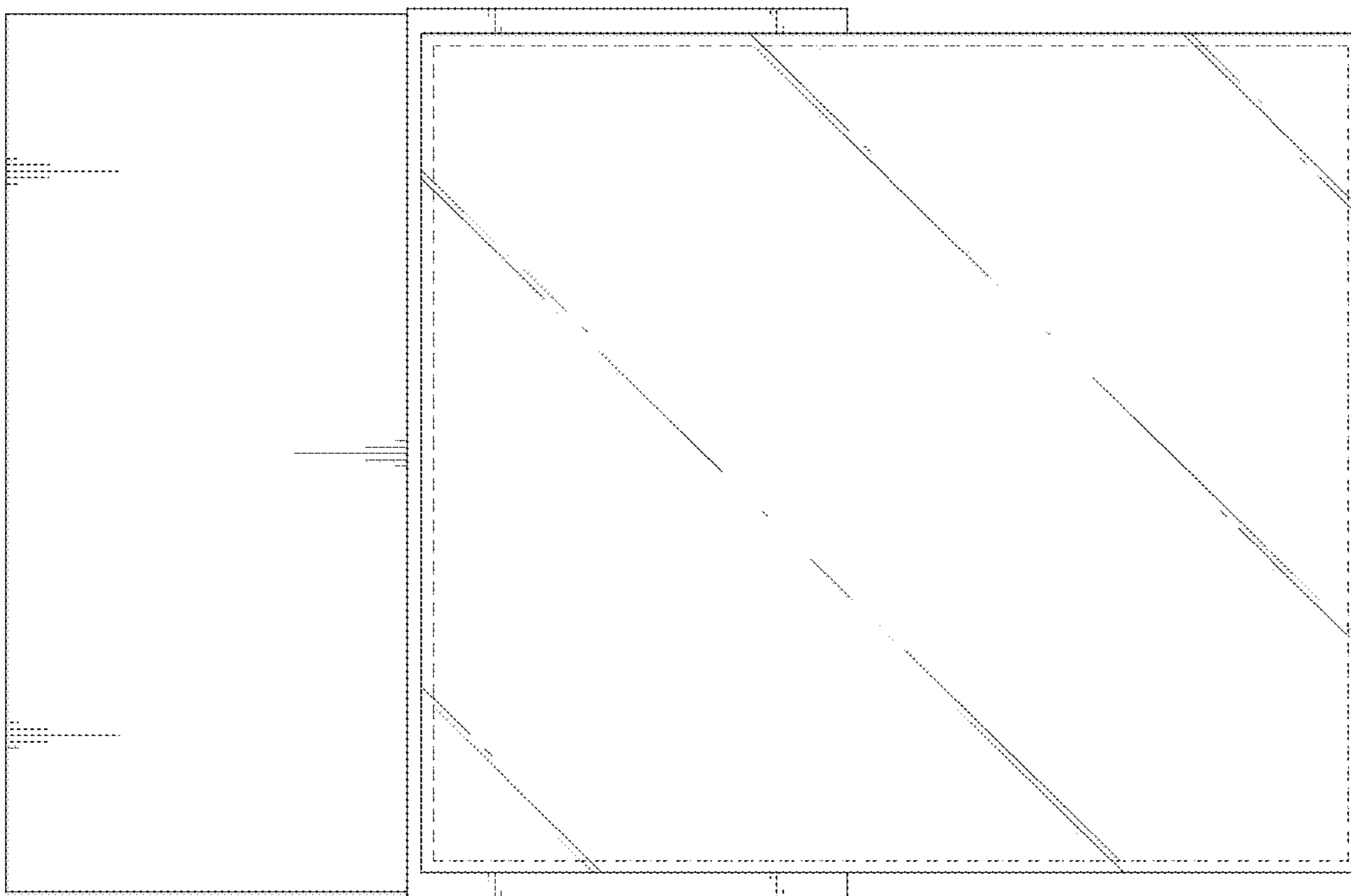


FIG. 14

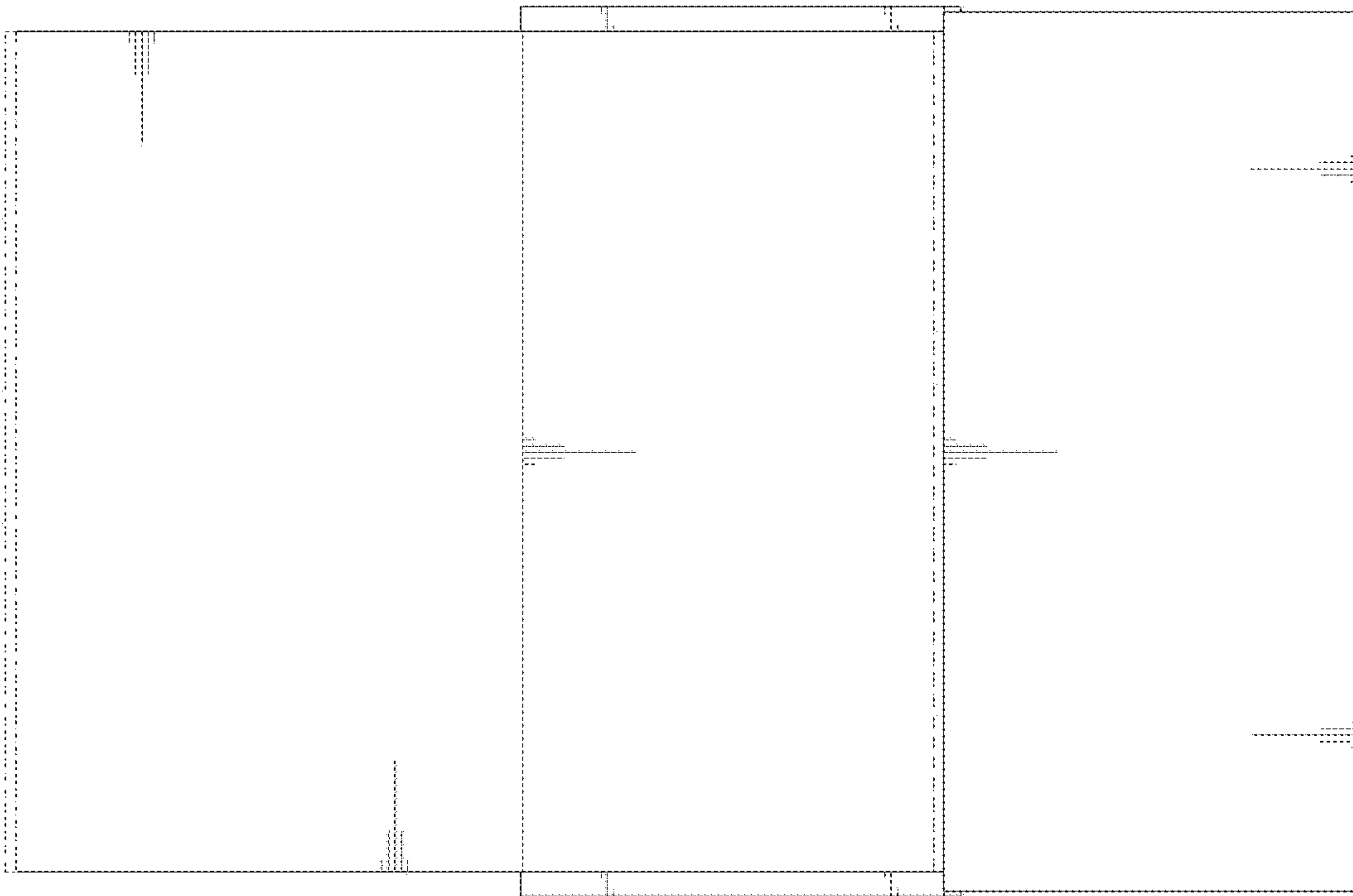




FIG. 15

