



US00D784942S

(12) **United States Design Patent**  
**Duran et al.**

(10) **Patent No.:** **US D784,942 S**  
(45) **Date of Patent:** **\*\* Apr. 25, 2017**

(54) **RUGGEDIZED MULTICHANNEL  
HANDHELD RADIO WITH BATTERY PACK  
AND ACCESSORY MODULE**

(71) Applicant: **HARRIS CORPORATION,**  
Melbourne, FL (US)

(72) Inventors: **Jose R. Duran,** Williamson, NY (US);  
**Jason P. Scott,** Pittsford, NY (US);  
**Richard S. Currier,** Rochester, NY  
(US); **Sarah N. Neal,** West Henrietta,  
NY (US); **David A. Cipolla,** Macedon,  
NY (US)

(73) Assignee: **Harris Corporation,** Melbourne, FL  
(US)

(\*\*) Term: **15 Years**

(21) Appl. No.: **29/533,761**

(22) Filed: **Jul. 22, 2015**

(51) **LOC (10) Cl.** ..... **14-03**

(52) **U.S. Cl.**  
USPC ..... **D14/137**

(58) **Field of Classification Search**  
USPC ..... D14/137, 138 R, 138 AA, 138 AD;  
D21/516; 361/814; 455/90.2  
(Continued)

(56) **References Cited**

U.S. PATENT DOCUMENTS

D290,842 S \* 7/1987 Scheid ..... D14/137  
D292,582 S \* 11/1987 Schaefer ..... D14/137  
(Continued)

*Primary Examiner* — Cathron Brooks

*Assistant Examiner* — Aula Soroush

(74) *Attorney, Agent, or Firm* — Fox Rothschild LLP;  
Robert J. Sacco; Carol E. Thorstad-Forsyth

(57) **CLAIM**

The ornamental design for ruggedized multichannel hand-held radio with battery pack and accessory module, as shown and described.

**DESCRIPTION**

FIG. 1 is a front perspective view of a ruggedized multichannel handheld radio with battery pack and accessory module, showing my new design, shown the accessory module removed;

FIG. 2 is a back perspective view thereof;

FIG. 3 is a front view thereof;

FIG. 4 is a back view thereof;

FIG. 5 is a left side elevation view thereof;

FIG. 6 is a right side elevation view thereof;

FIG. 7 is a top plan view thereof;

FIG. 8 is a bottom plan view thereof;

FIG. 9 is a front perspective view thereof, shown with the accessory module and battery pack attached;

FIG. 10 is a back perspective view thereof;

FIG. 11 is a front view thereof;

FIG. 12 is a back view thereof;

FIG. 13 is a left side elevation view thereof;

FIG. 14 is a right side elevation view thereof;

FIG. 15 is a top plan view thereof;

FIG. 16 is a bottom plan view thereof;

FIG. 17 is a front perspective view thereof, shown with the battery pack and accessory module removed;

FIG. 18 is a back perspective view thereof;

FIG. 19 is a front view thereof;

FIG. 20 is a back view thereof;

FIG. 21 is a left side elevation view thereof;

FIG. 22 is a right side elevation view thereof;

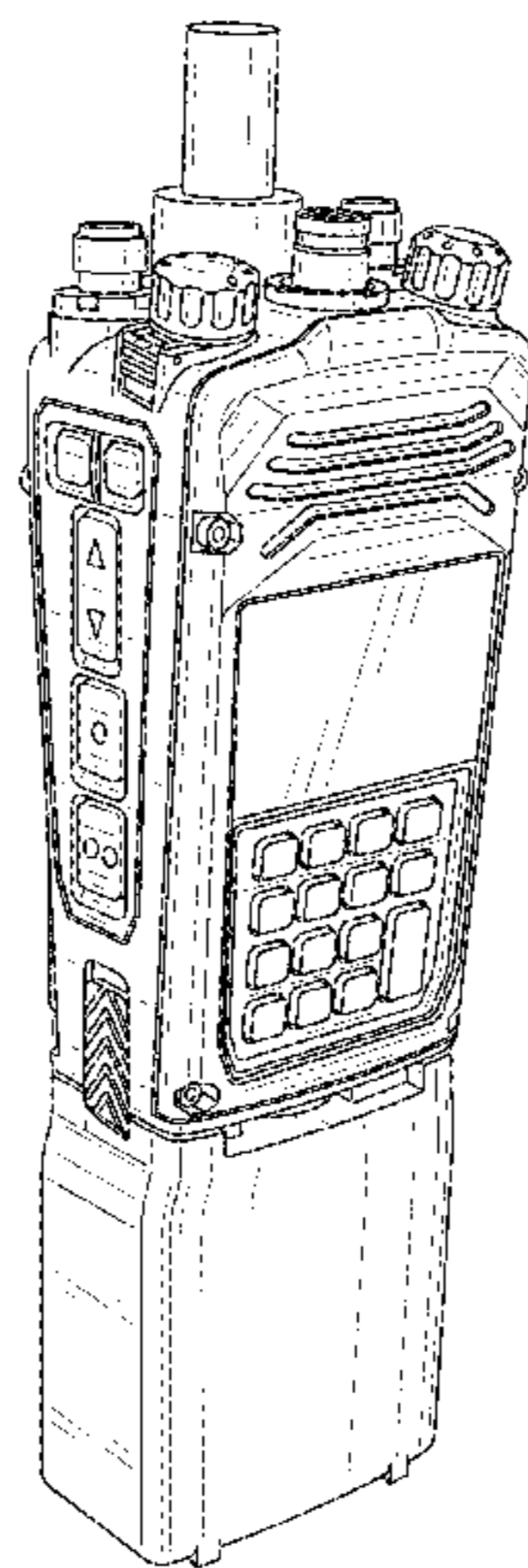
FIG. 23 is a top plan view thereof;

FIG. 24 is a bottom plan view thereof; and,

FIG. 25 is a perspective view thereof.

In the drawings, the broken lines shown in the figures that are immediately adjacent to the shaded areas and define unshaded regions represent the bounds of the claim. All other broken lines, including the broken lines on the bottom surface of FIGS. 24-25 that show the central circular feature, are directed to the environment. The broken lines form no part of the claimed design.

**1 Claim, 13 Drawing Sheets**



(58) **Field of Classification Search**

CPC ..... H04B 1/00; H04B 1/38; H04B 1/3805;  
H04B 1/3816; H04B 1/3822; H04B  
1/3827; H04B 1/3833

See application file for complete search history.

(56) **References Cited**

U.S. PATENT DOCUMENTS

|              |    |   |         |                      |       |                         |
|--------------|----|---|---------|----------------------|-------|-------------------------|
| D347,426     | S  | * | 5/1994  | Culbertson           | ..... | D14/137                 |
| D540,765     | S  | * | 4/2007  | Pritchard            | ..... | D14/137                 |
| D569,358     | S  | * | 5/2008  | Devenish, III        | ..... | D14/137                 |
| D602,892     | S  |   | 10/2009 | Devenish, III et al. |       |                         |
| D605,616     | S  |   | 12/2009 | Scott et al.         |       |                         |
| D635,945     | S  | * | 4/2011  | Richards             | ..... | D14/137                 |
| D654,035     | S  | * | 2/2012  | Ismail               | ..... | D14/137                 |
| D662,482     | S  | * | 6/2012  | Kaner                | ..... | D14/137                 |
| D664,111     | S  | * | 7/2012  | Ismail               | ..... | D14/137                 |
| D754,088     | S  | * | 4/2016  | Ooi                  | ..... | D14/137                 |
| D754,089     | S  | * | 4/2016  | Yong                 | ..... | D14/137                 |
| 2011/0281533 | A1 | * | 11/2011 | Deleus               | ..... | G06F 3/0338<br>455/90.2 |

\* cited by examiner



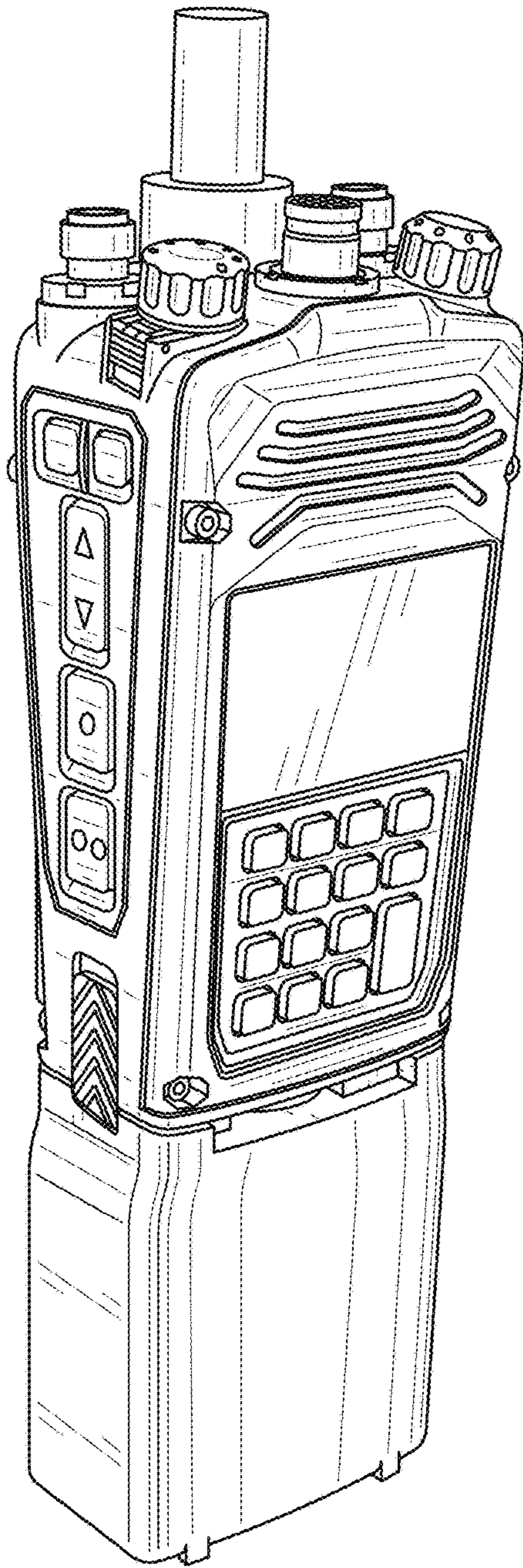


FIG. 1

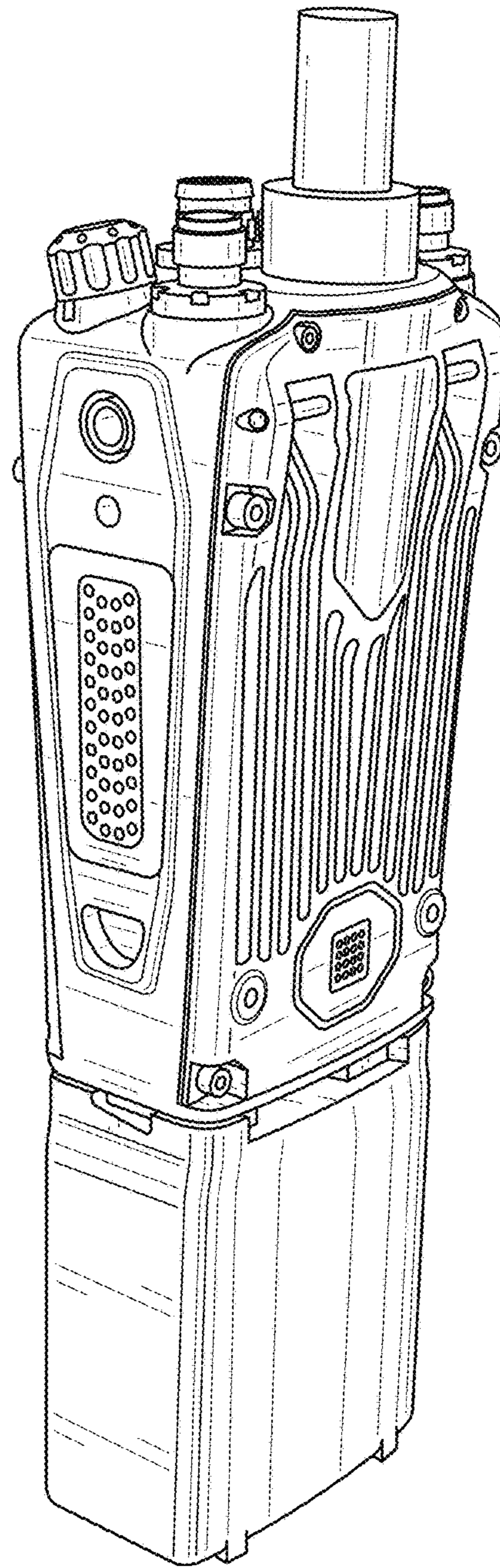


FIG. 2

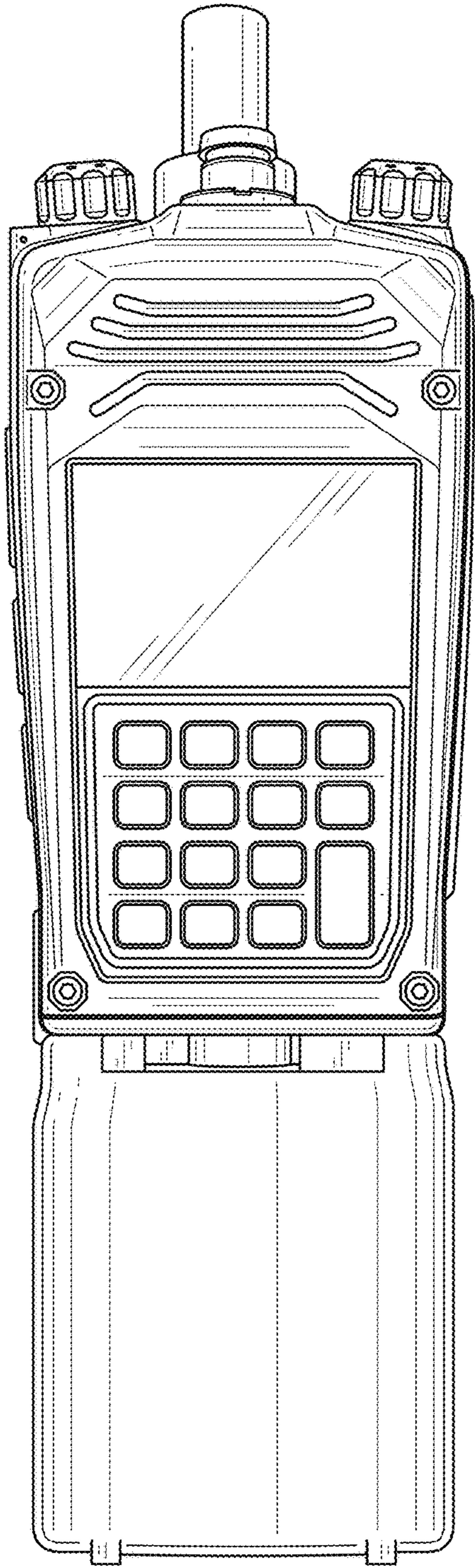


FIG. 3

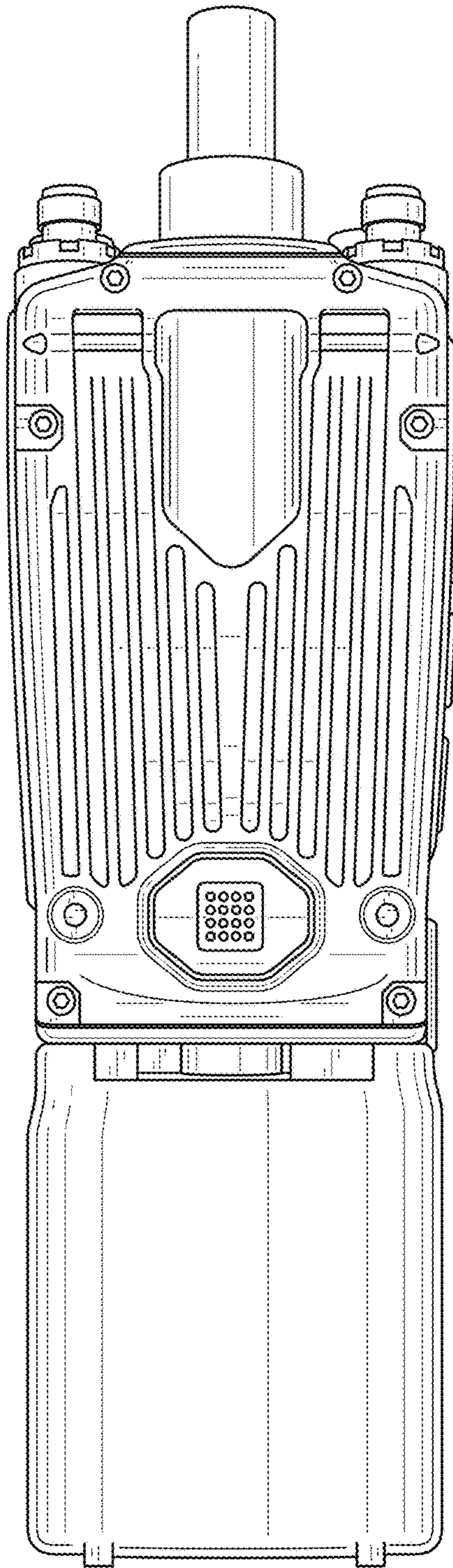


FIG. 4



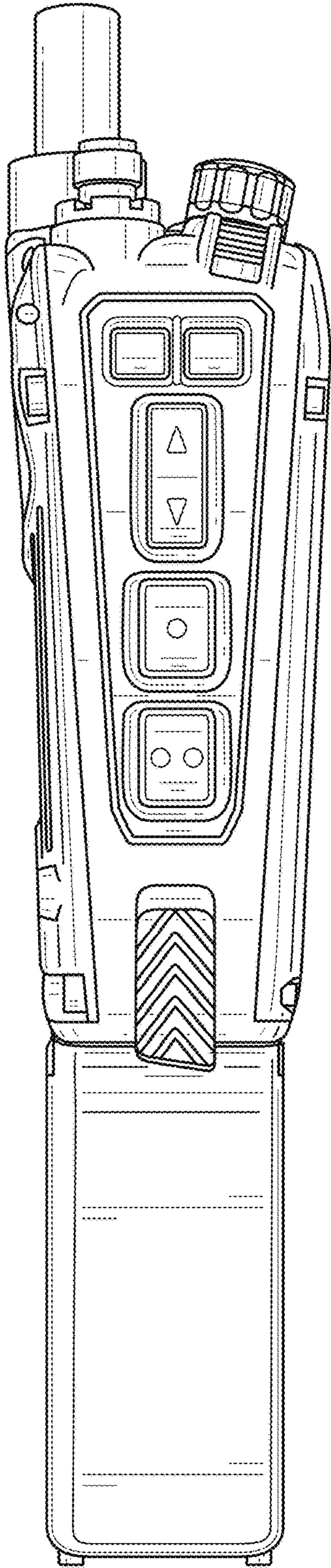


FIG. 5

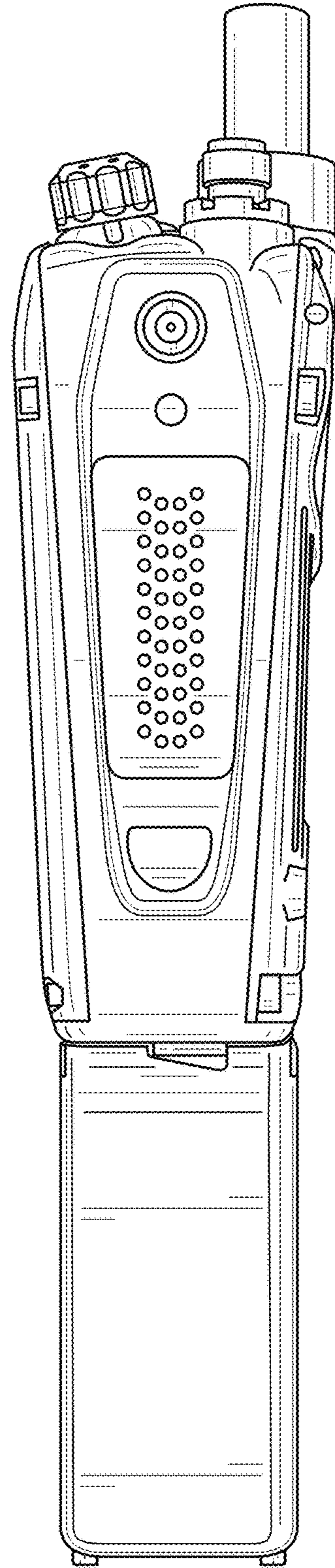


FIG. 6

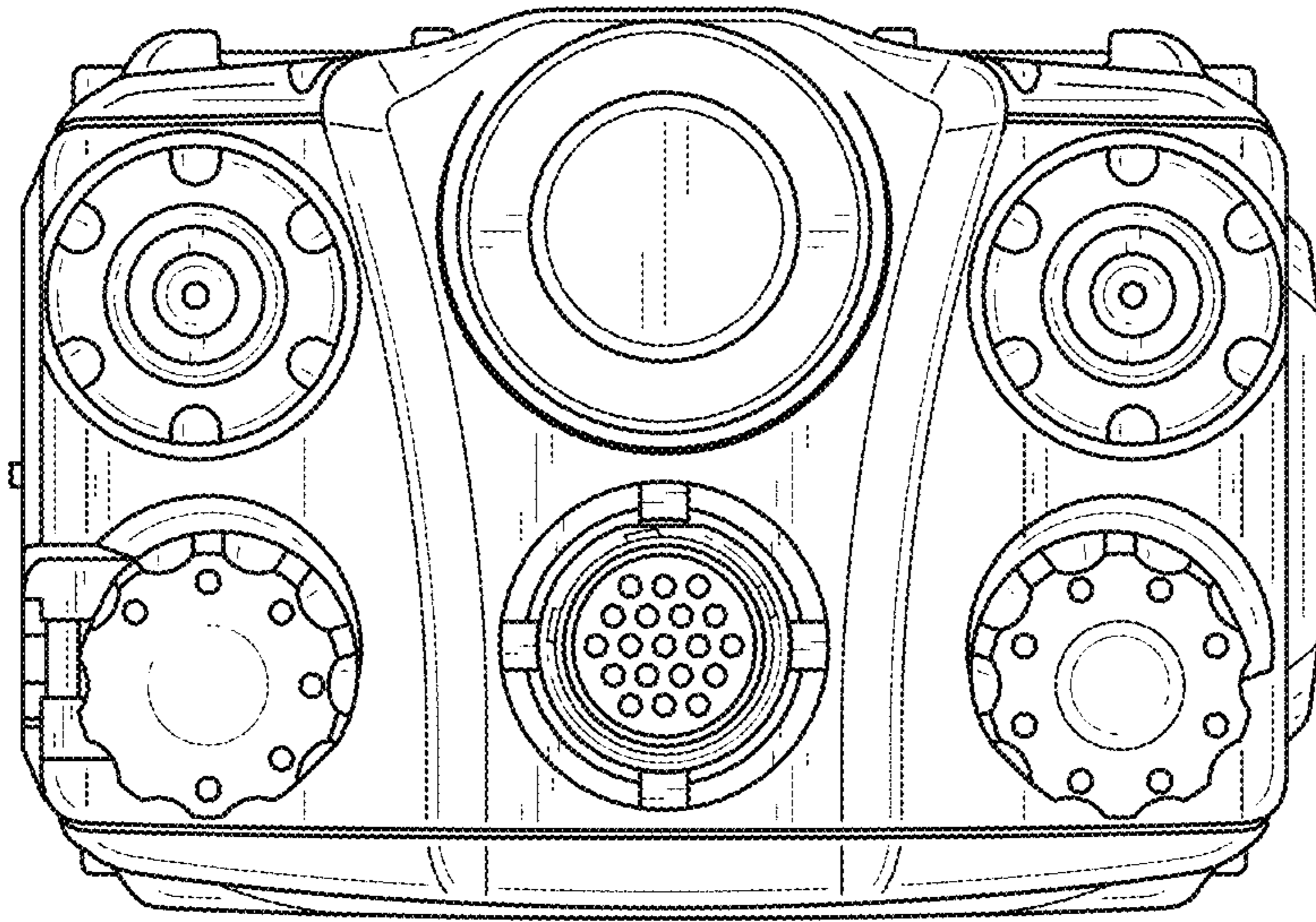


FIG. 7

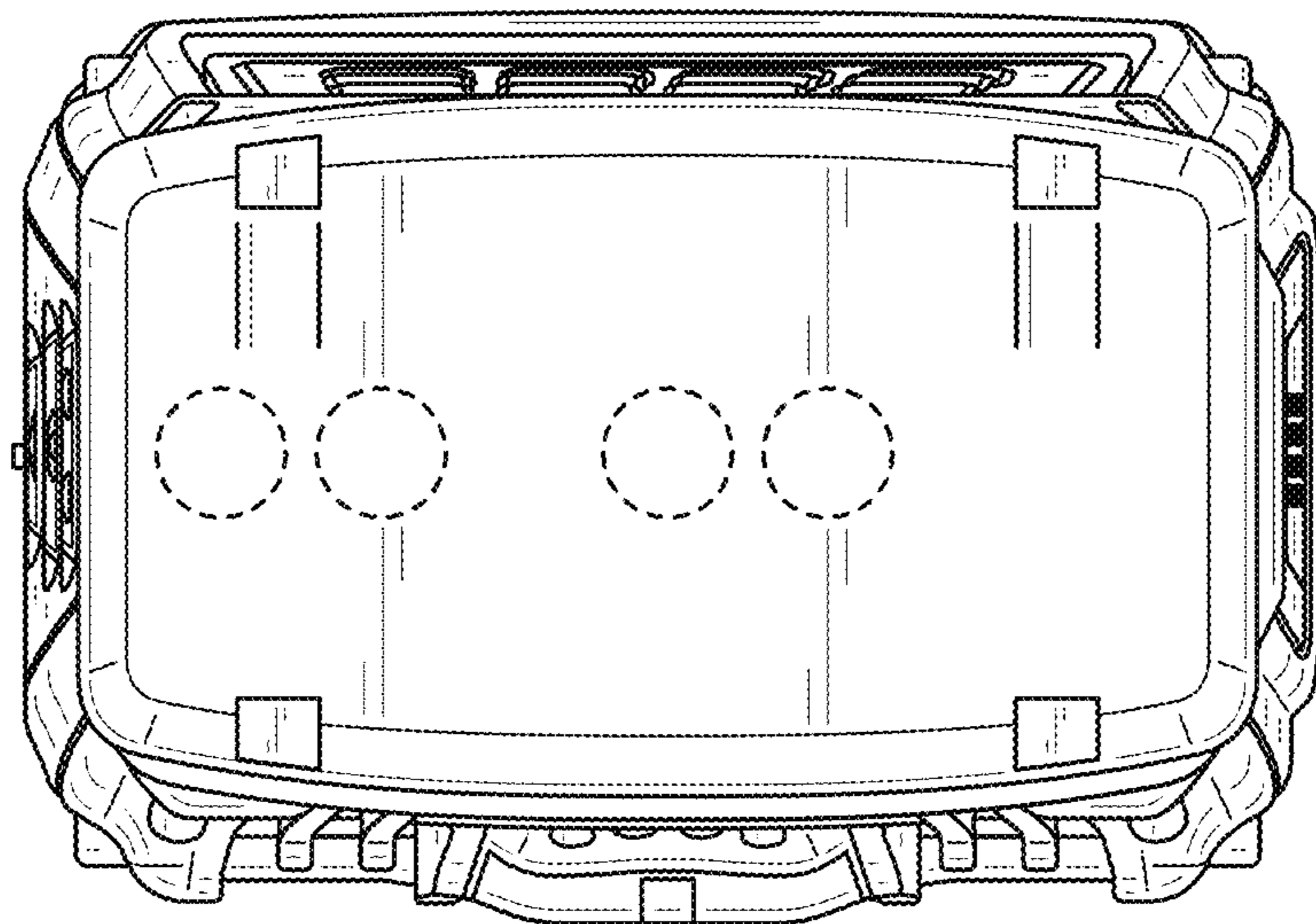


FIG. 8



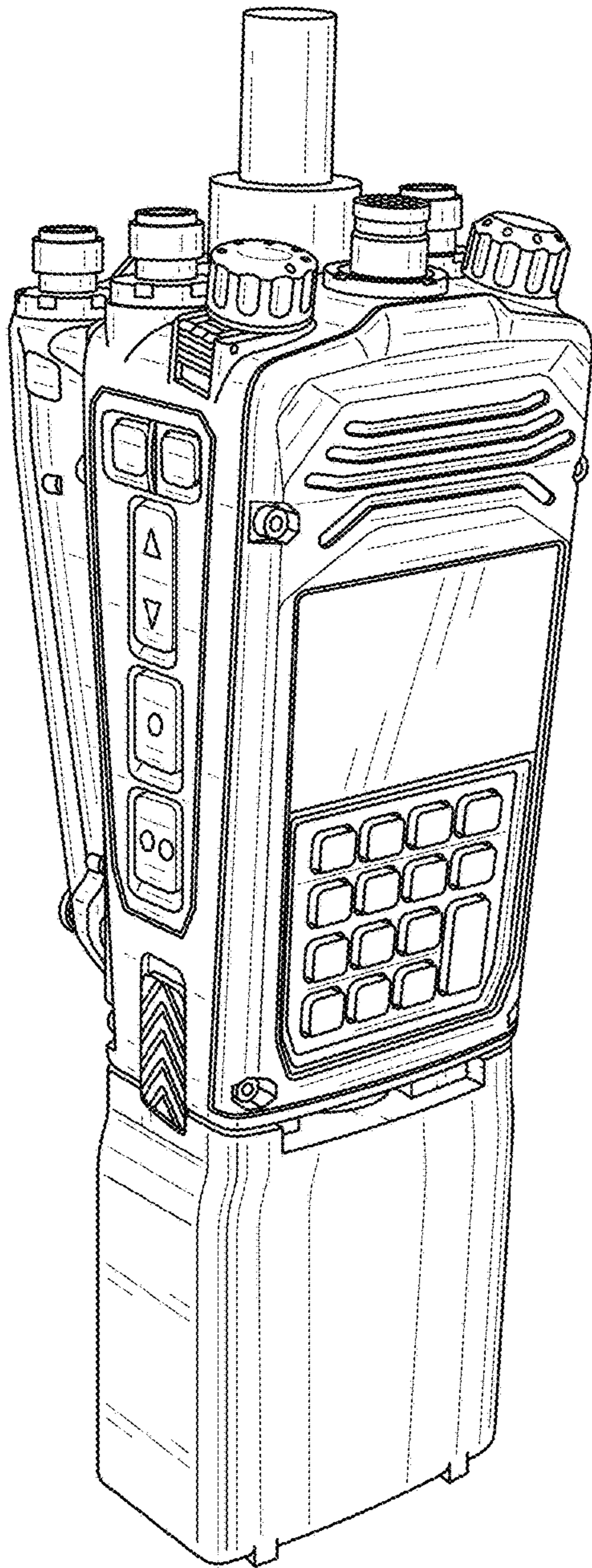


FIG. 9

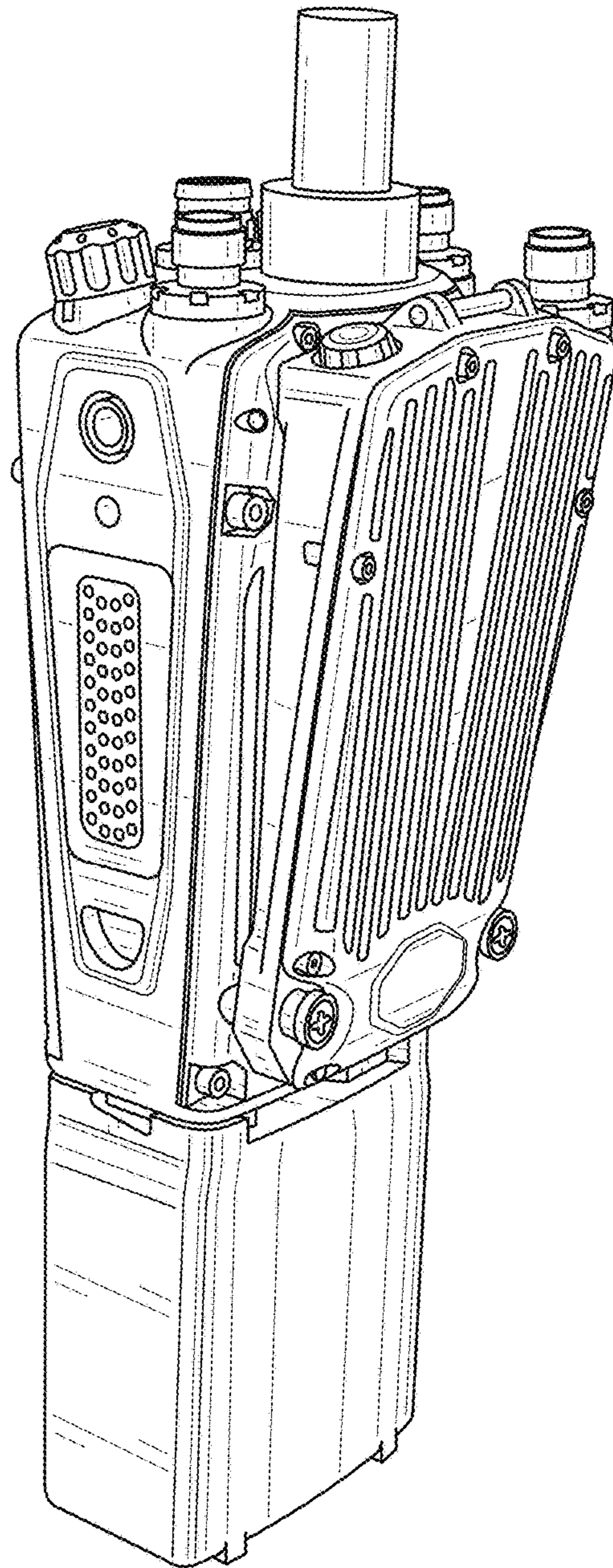


FIG. 10

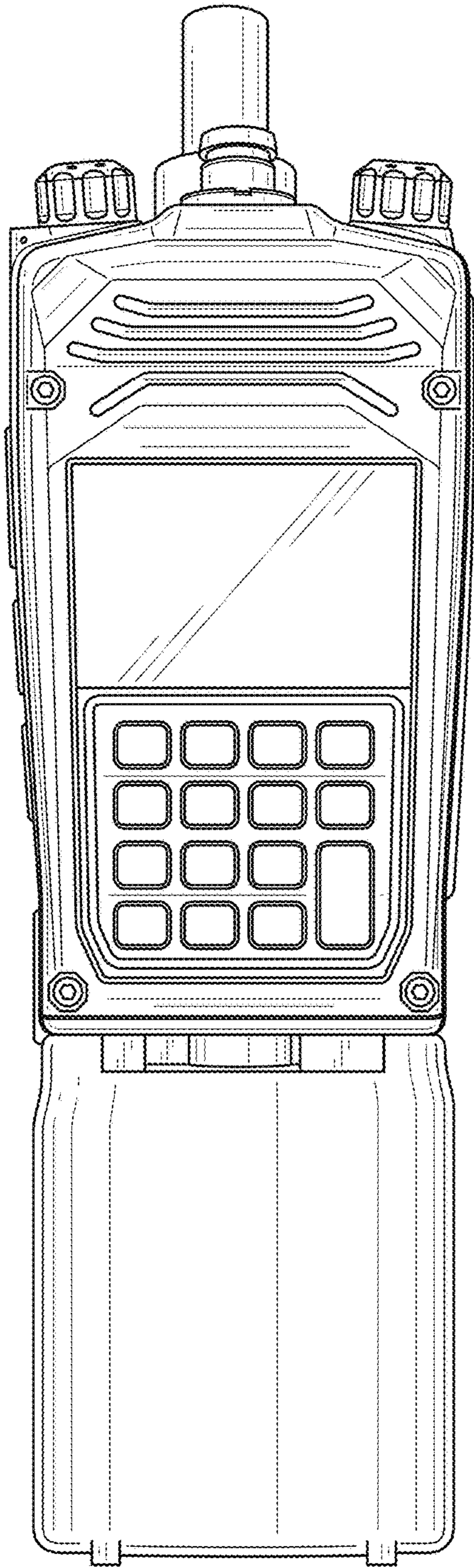


FIG. 11

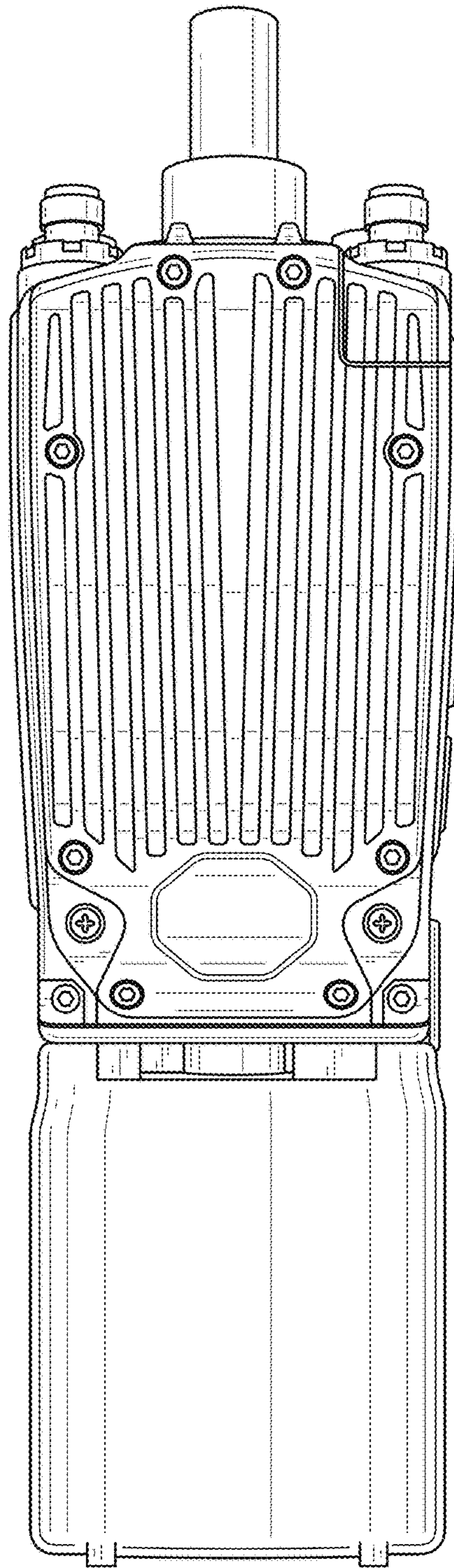


FIG. 12



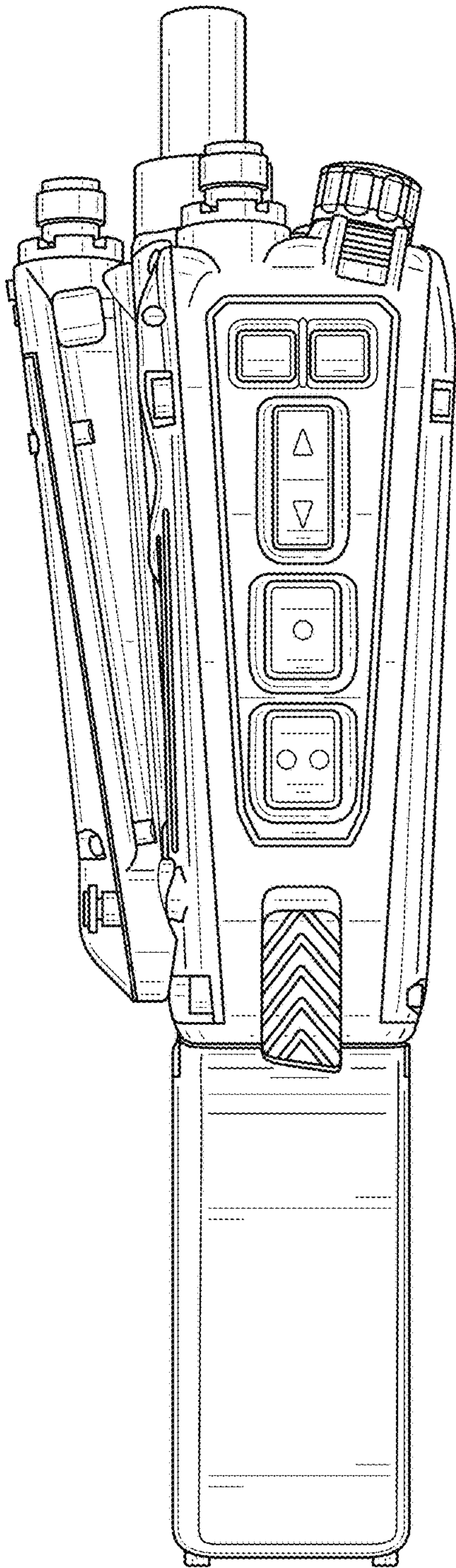


FIG. 13

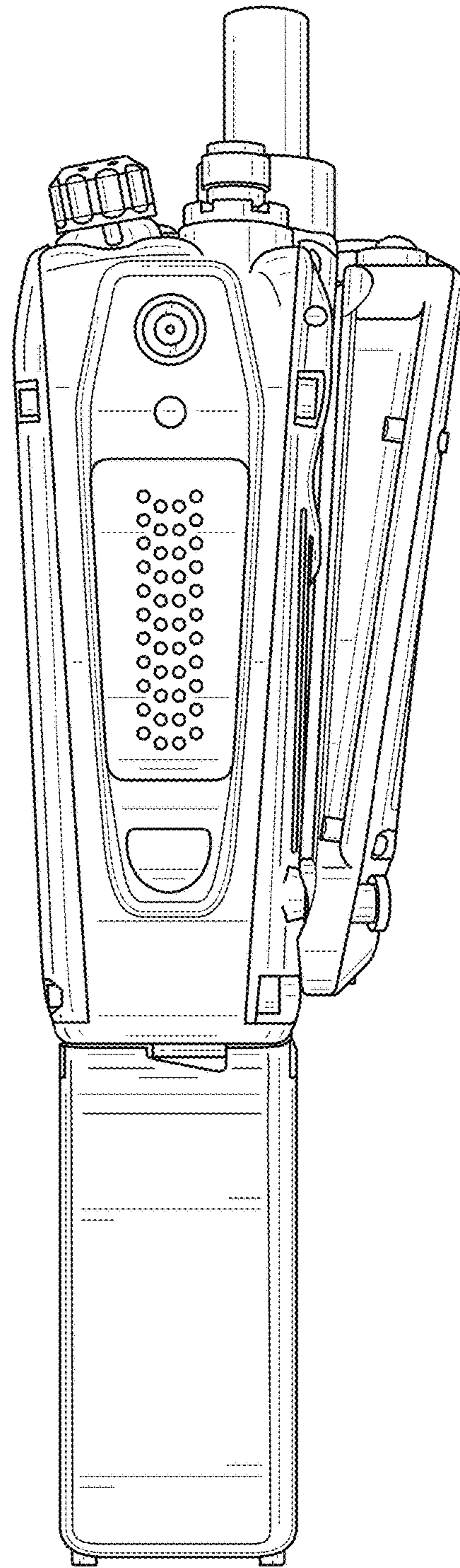


FIG. 14

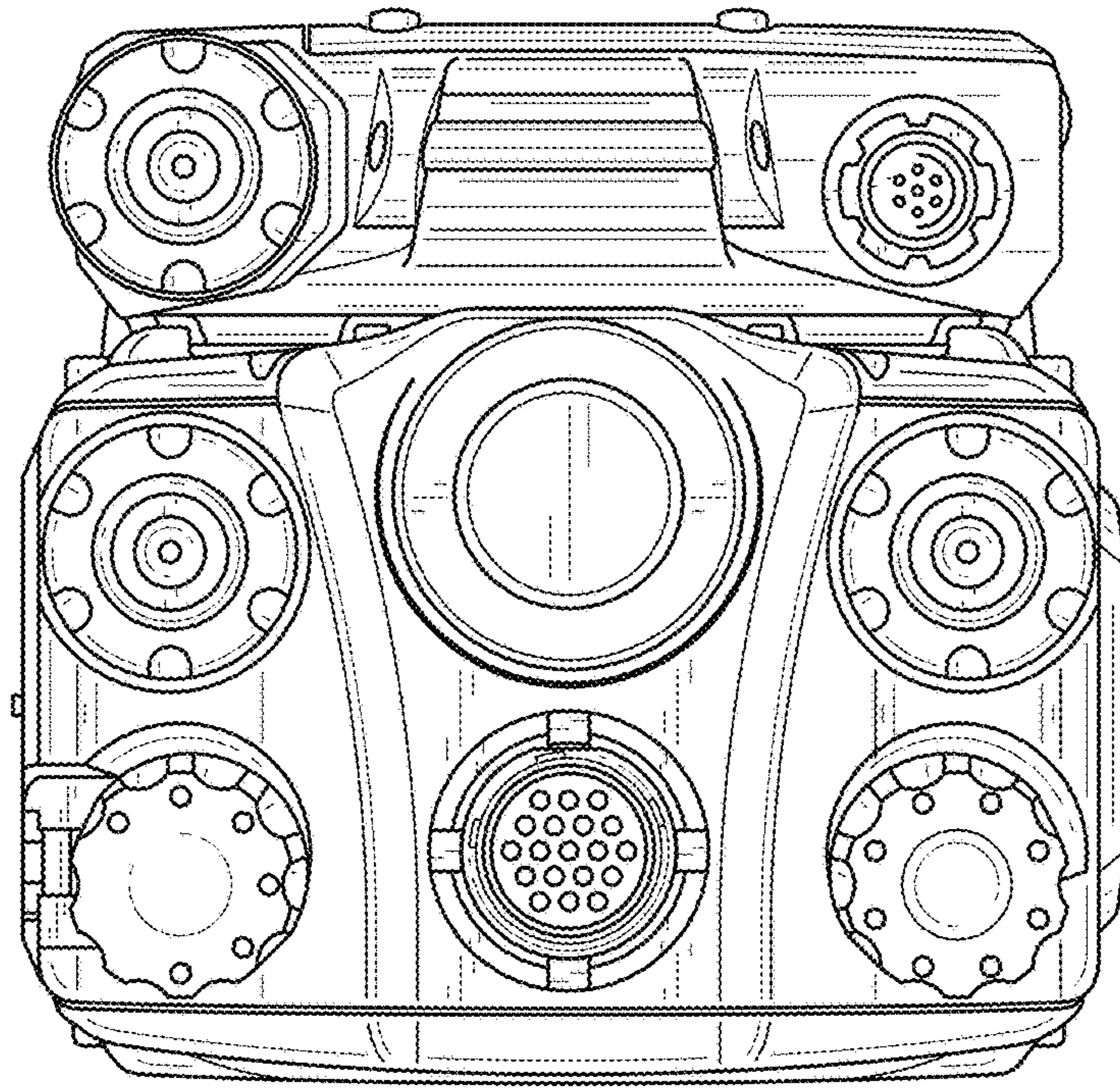


FIG. 15

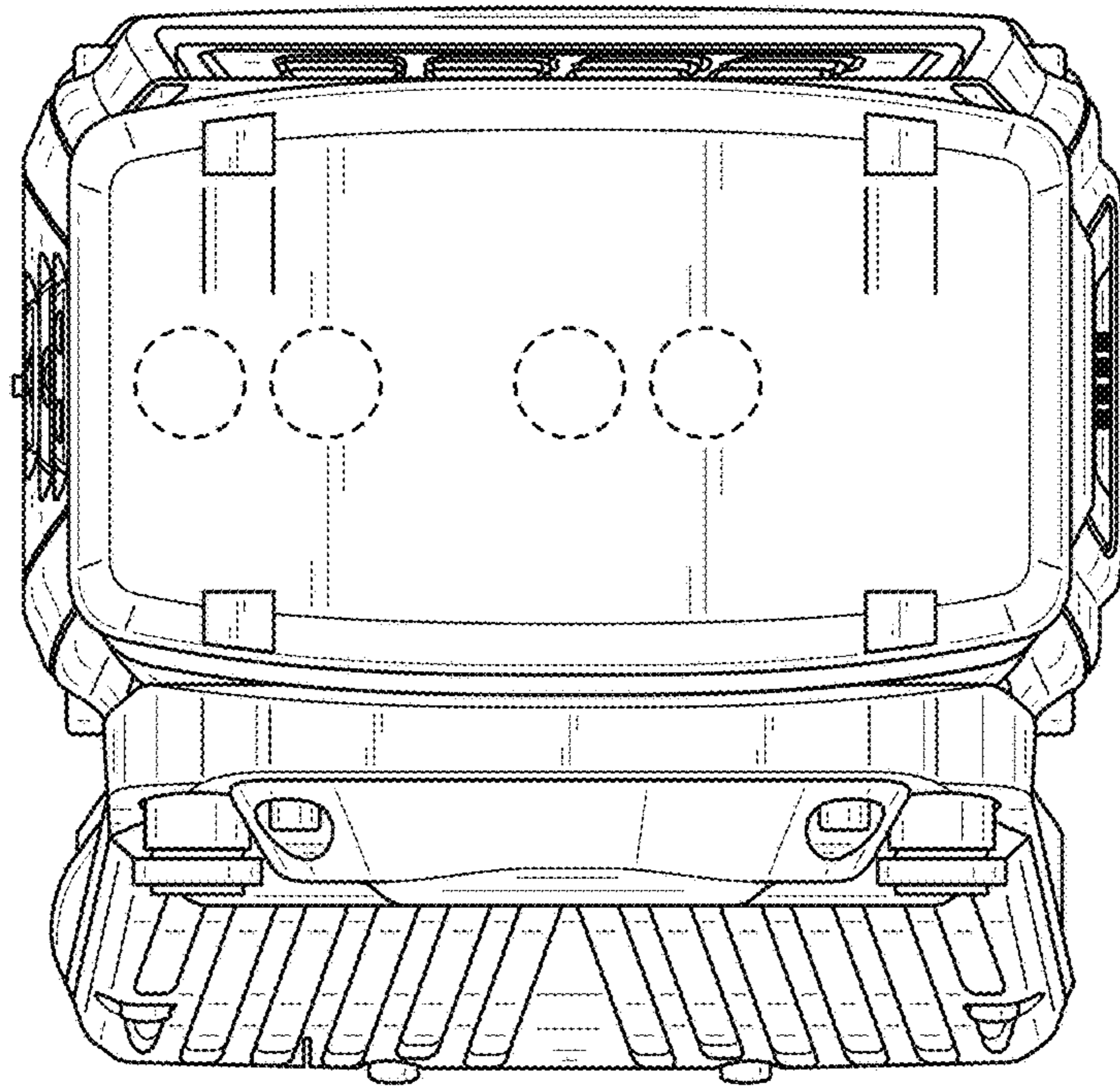


FIG. 16



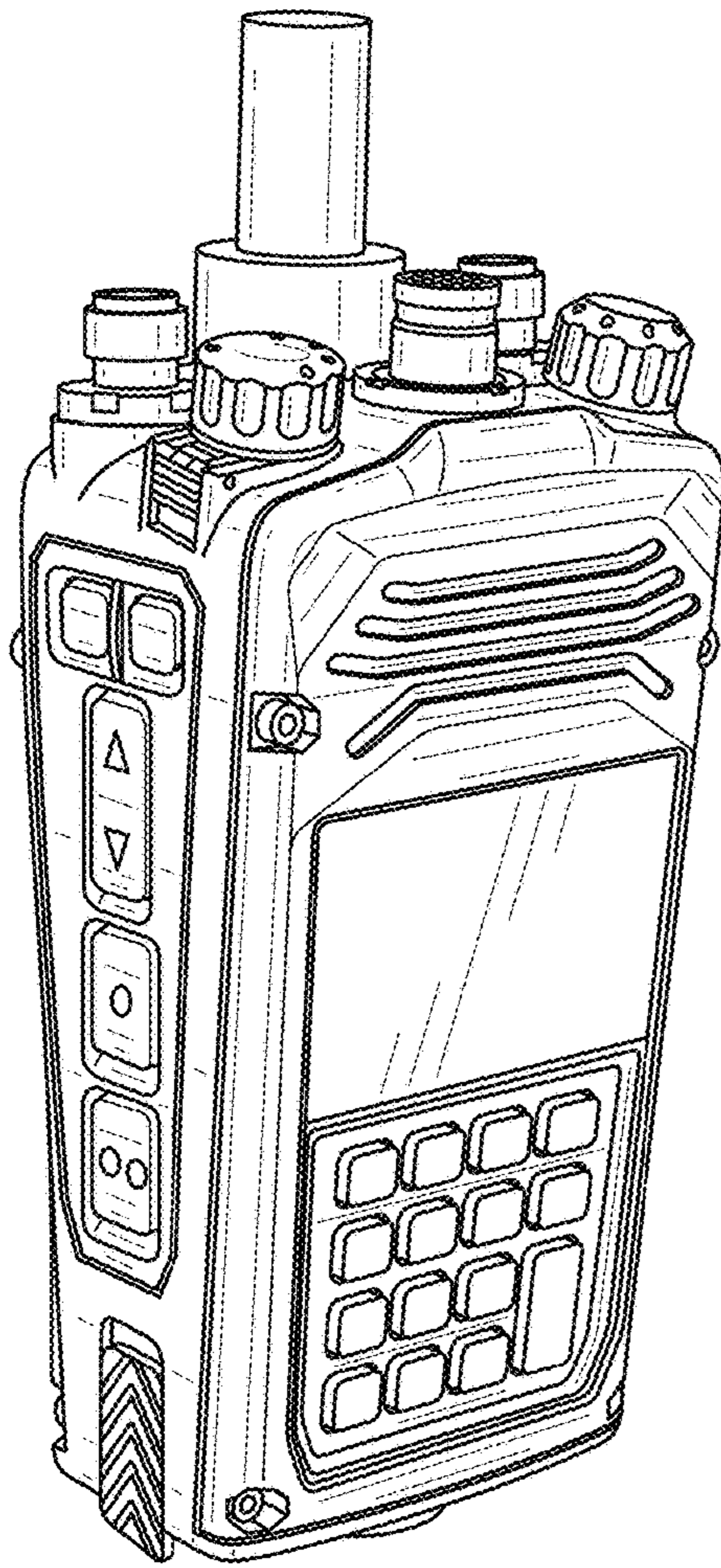


FIG. 17

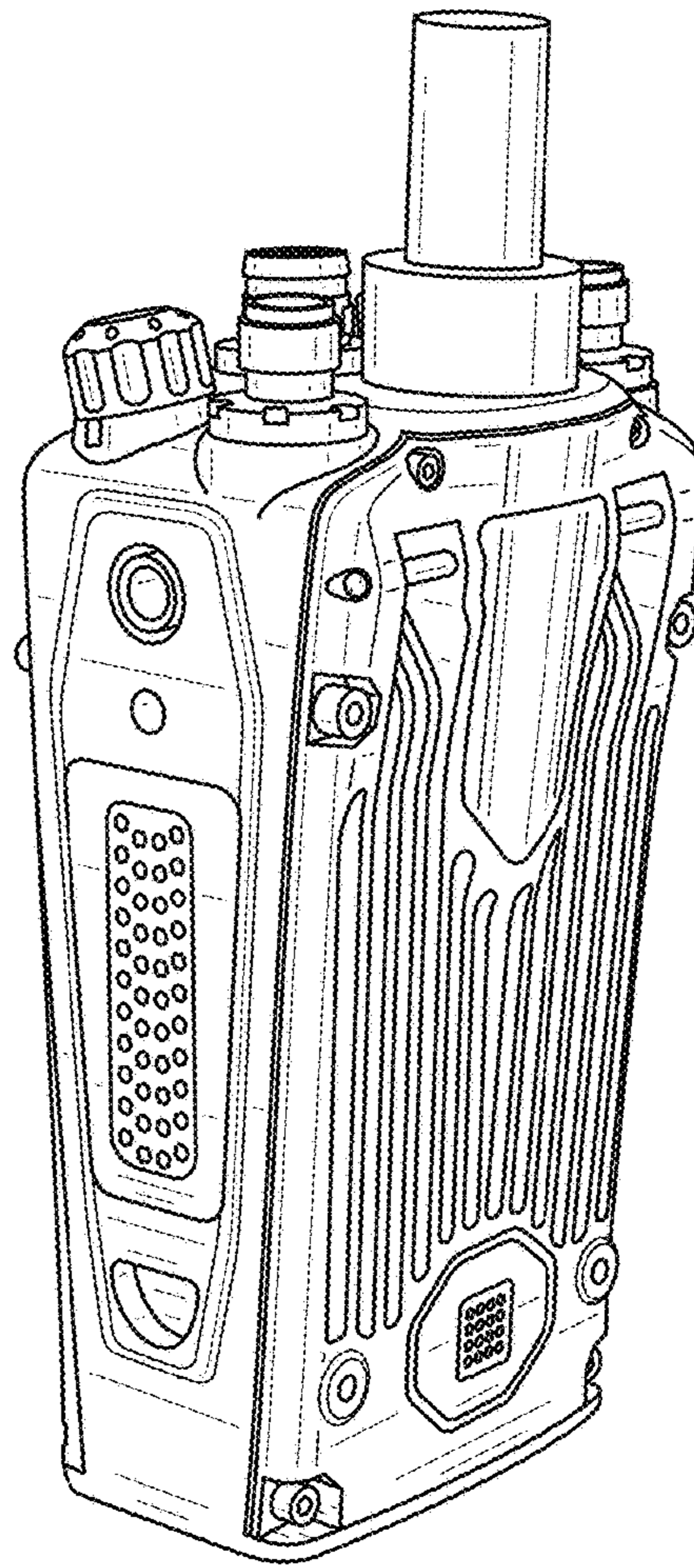


FIG. 18

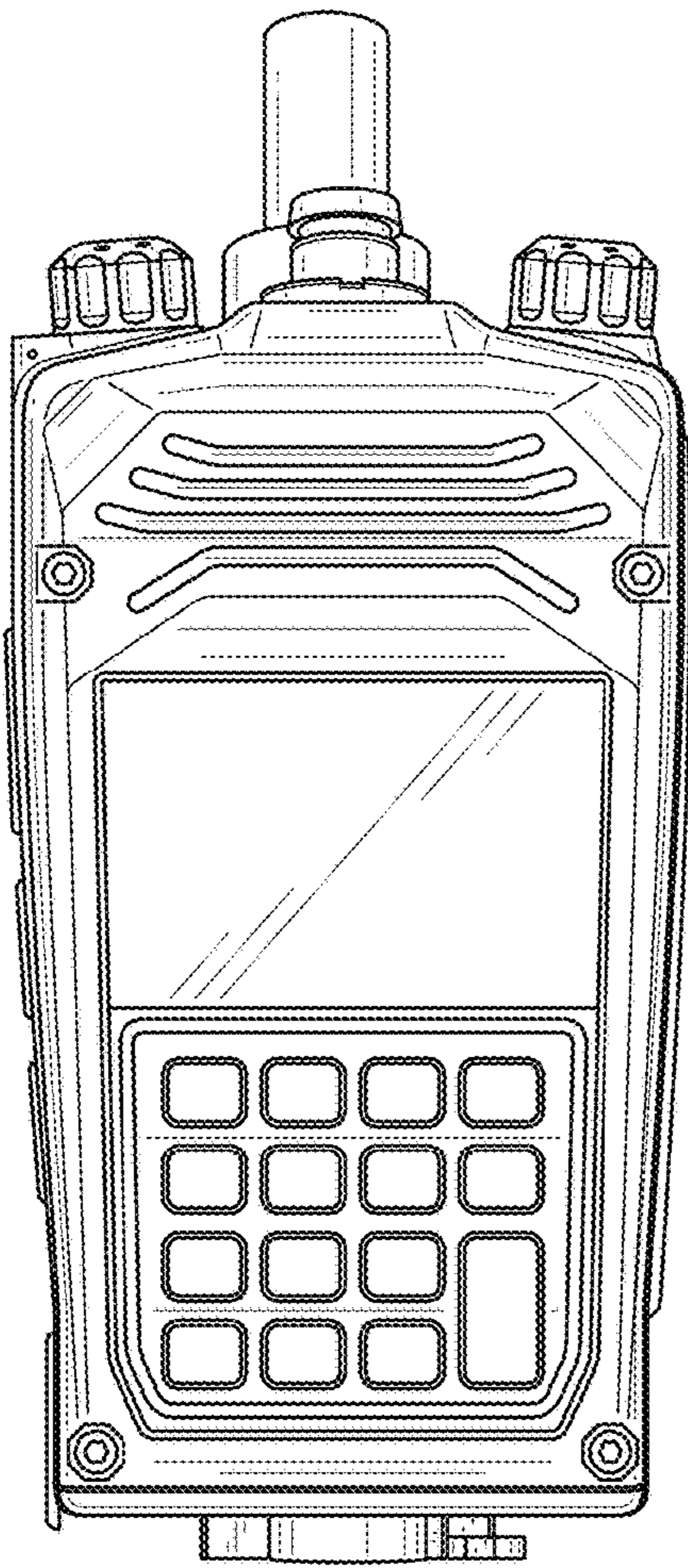


FIG. 19

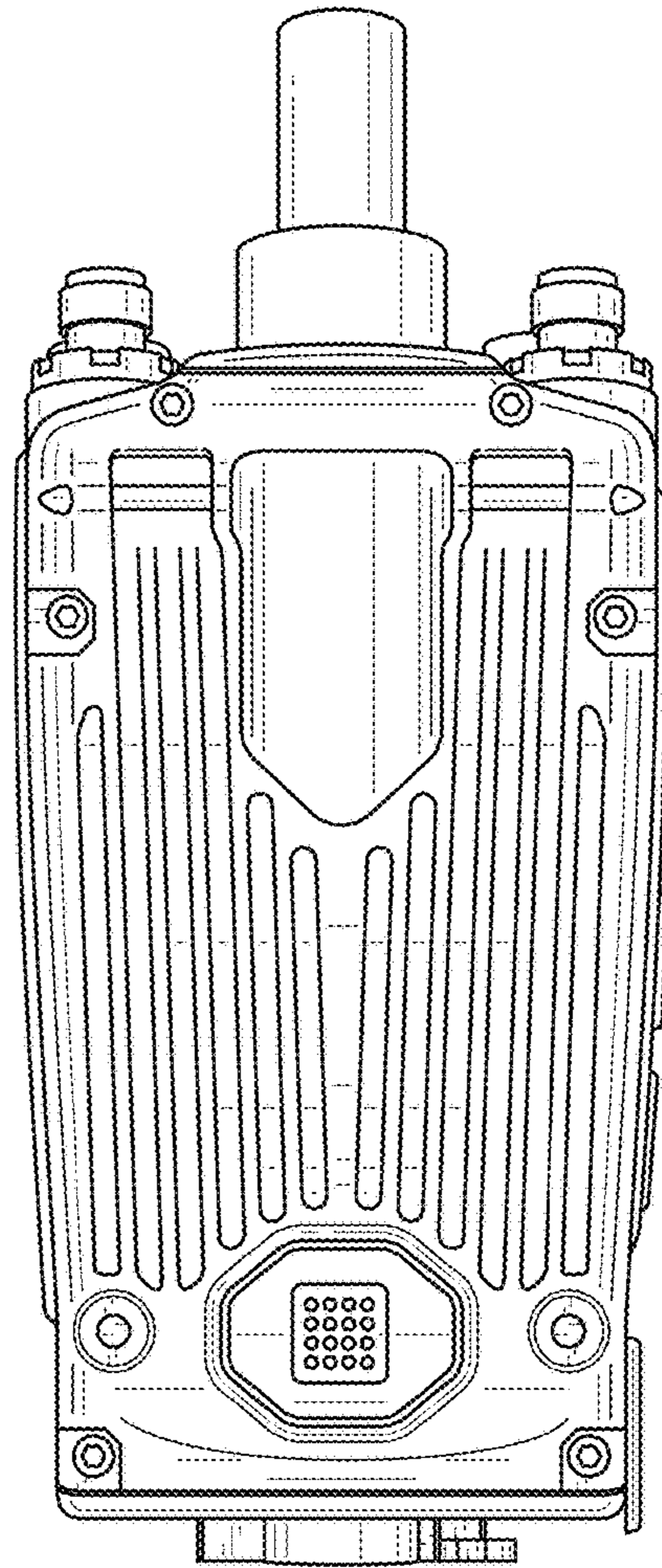


FIG. 20



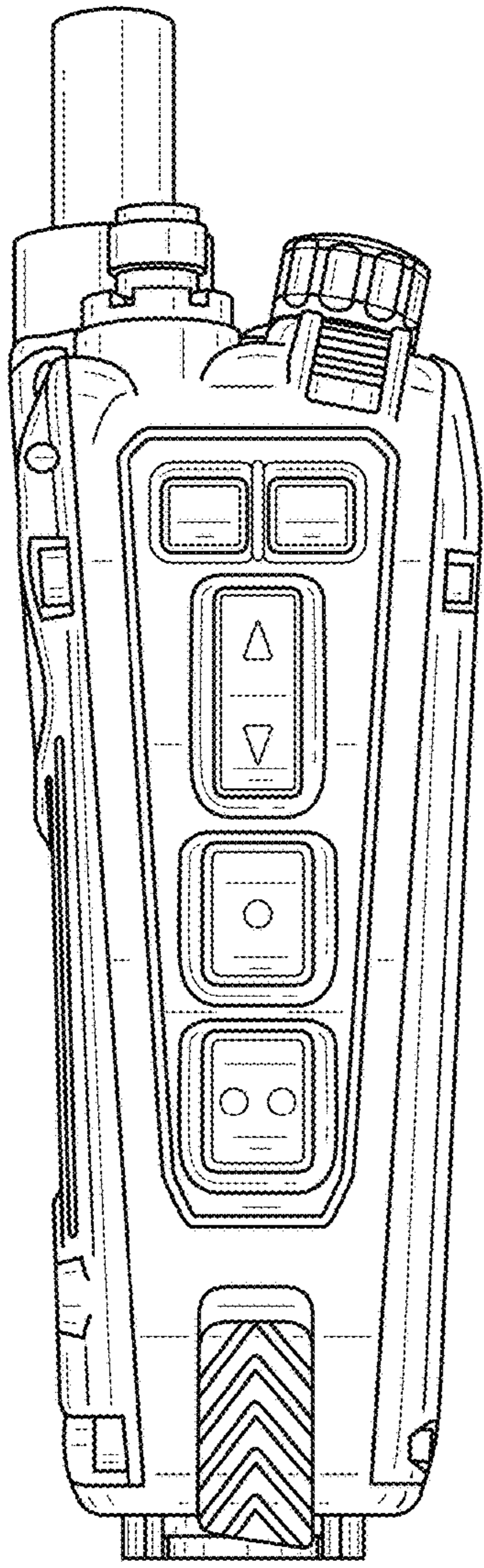


FIG. 21

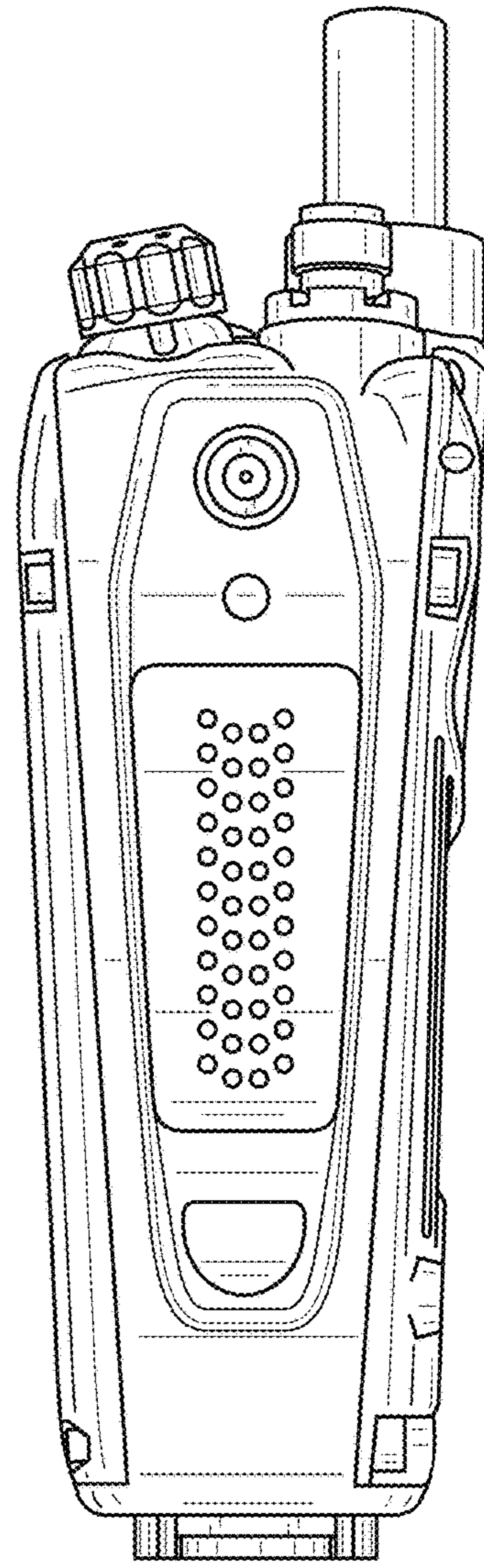


FIG. 22

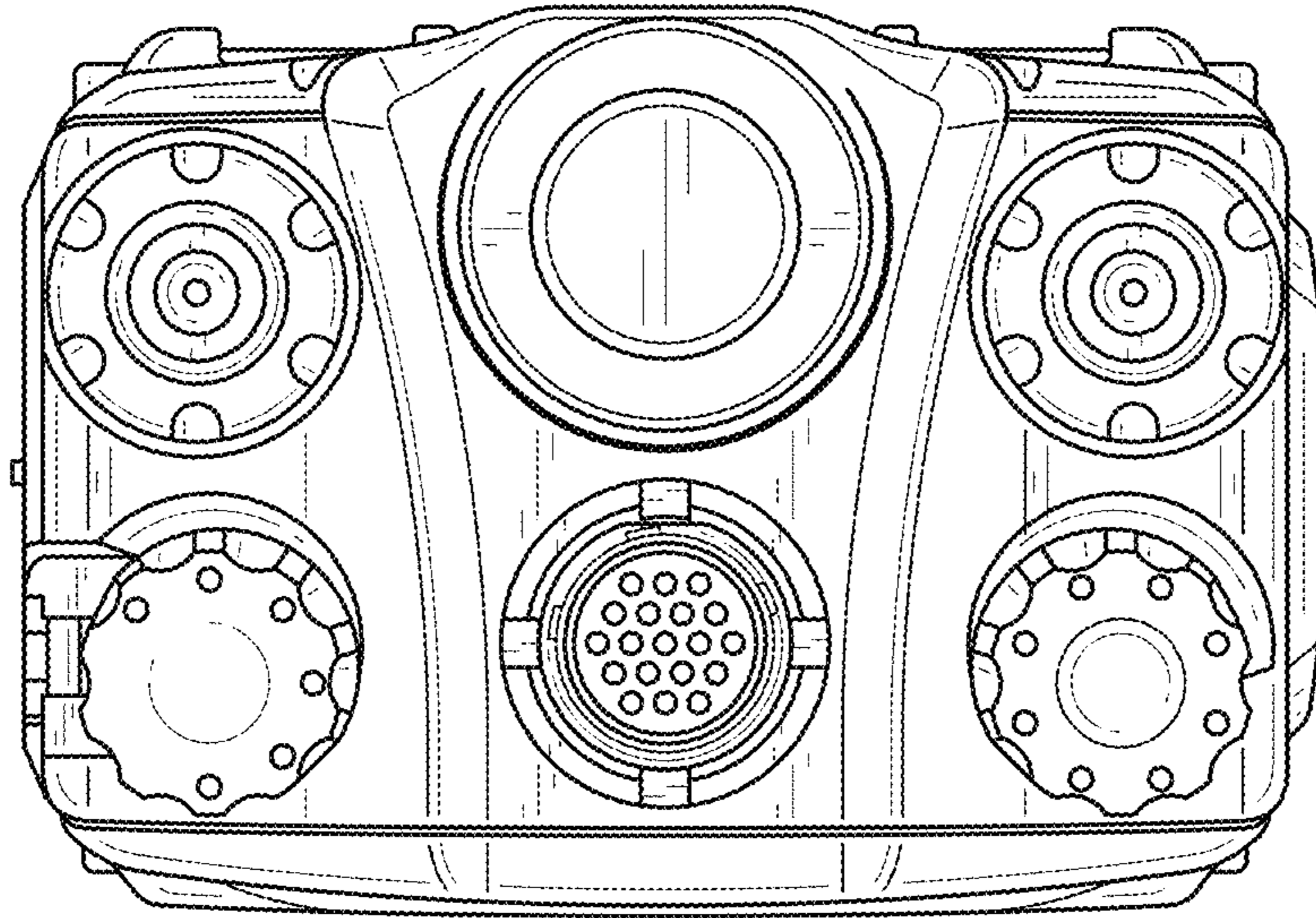


FIG. 23

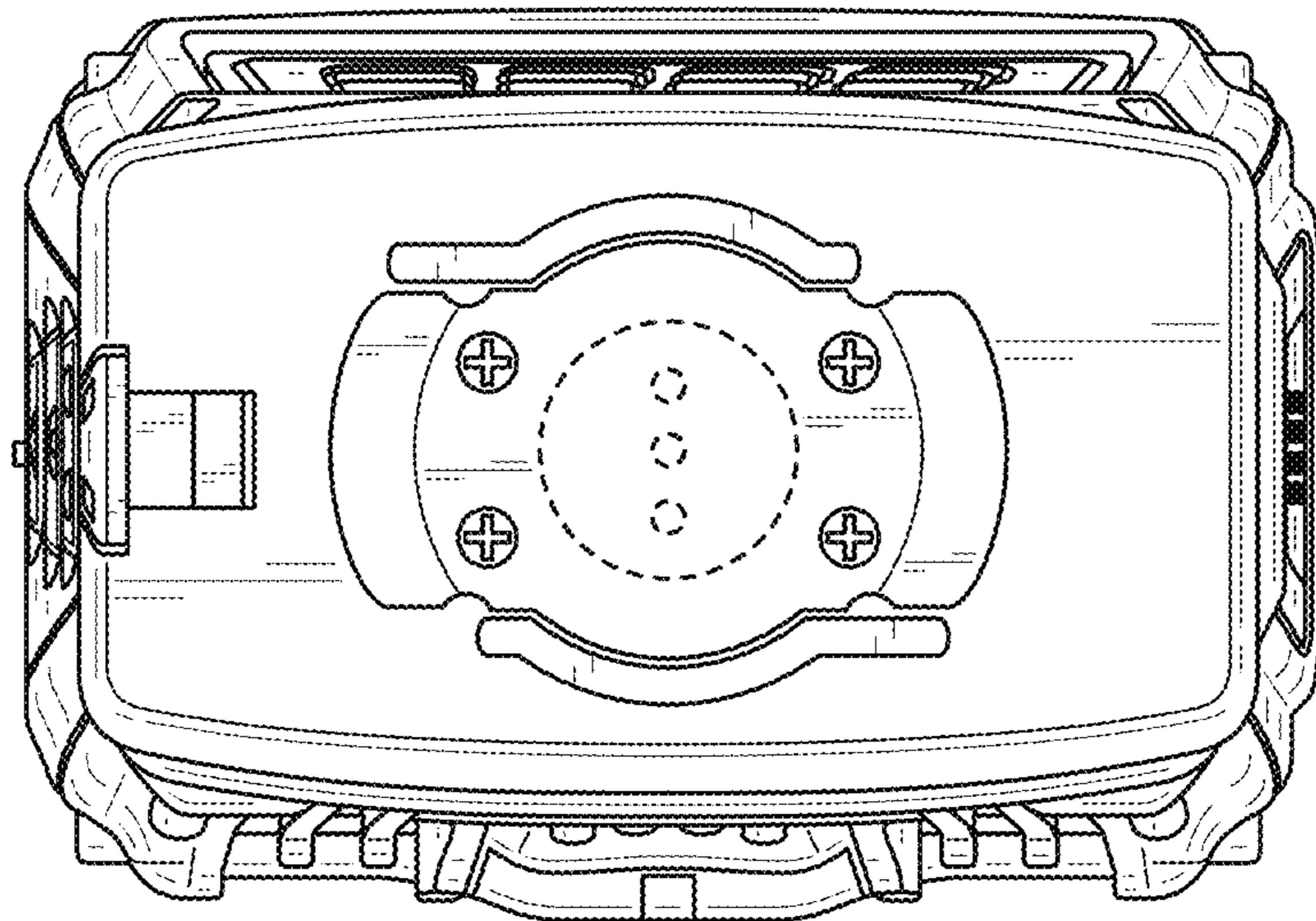


FIG. 24





FIG. 25