



US00D784940S

(12) **United States Design Patent** (10) **Patent No.:** **US D784,940 S**
Lee et al. (45) **Date of Patent:** **** Apr. 25, 2017**

(54) **TELEVISION RECEIVER**

(71) Applicant: **Samsung Electronics Co., Ltd.**,
Suwon-si (KR)

(72) Inventors: **Giljae Lee**, Seoul (KR); **Jaehyung Kim**, Gwangju Si (KR); **BoKyung Seong**, Daejeon (KR)

(73) Assignee: **Samsung Electronics Co., Ltd.**,
Suwon-si (KR)

(**) Term: **14 Years**

(21) Appl. No.: **29/483,144**

(22) Filed: **Feb. 26, 2014**

(30) **Foreign Application Priority Data**

Sep. 4, 2013 (KR) 30-2013-0045783

(51) **LOC (10) Cl.** **14-03**

(52) **U.S. Cl.**
USPC **D14/126**

(58) **Field of Classification Search**
USPC D14/125-134, 239, 371, 374-377, 450,
D14/448, 336, 159; D6/300; D10/15,
(Continued)

(56) **References Cited**

U.S. PATENT DOCUMENTS

D624,512 S * 9/2010 Kim et al. D14/126
D624,895 S * 10/2010 Kasuga et al. D14/126
(Continued)

FOREIGN PATENT DOCUMENTS

EM 002137513-0005 7/2013
JP D2012-20582 2/2013

OTHER PUBLICATIONS

Russian Office Action issued on Jan. 27, 2015 in the Russian Patent Office in corresponding Russian Design Application No. 2014500816/49. (3 pages in Russian and a complete English Translation).

(Continued)

Primary Examiner — Eric Goodman

Assistant Examiner — Clese Moore, Jr.

(74) *Attorney, Agent, or Firm* — NSIP Law

(57) **CLAIM**

We claim the ornamental design for a television receiver, as shown and described.

DESCRIPTION

FIG. 1 is a front perspective view of a television receiver showing our new design;

FIG. 2 is a front view thereof;

FIG. 3 is a rear view thereof;

FIG. 4 is a left-side view thereof;

FIG. 5 is a right-side view thereof;

FIG. 6 is a top view thereof;

FIG. 7 is a bottom view thereof;

FIG. 8 is an enlarged view of the dot-dot-dash enclosed portion in FIG. 1;

FIG. 9 is an enlarged view of the upper dot-dot-dash enclosed portion in FIG. 2; and,

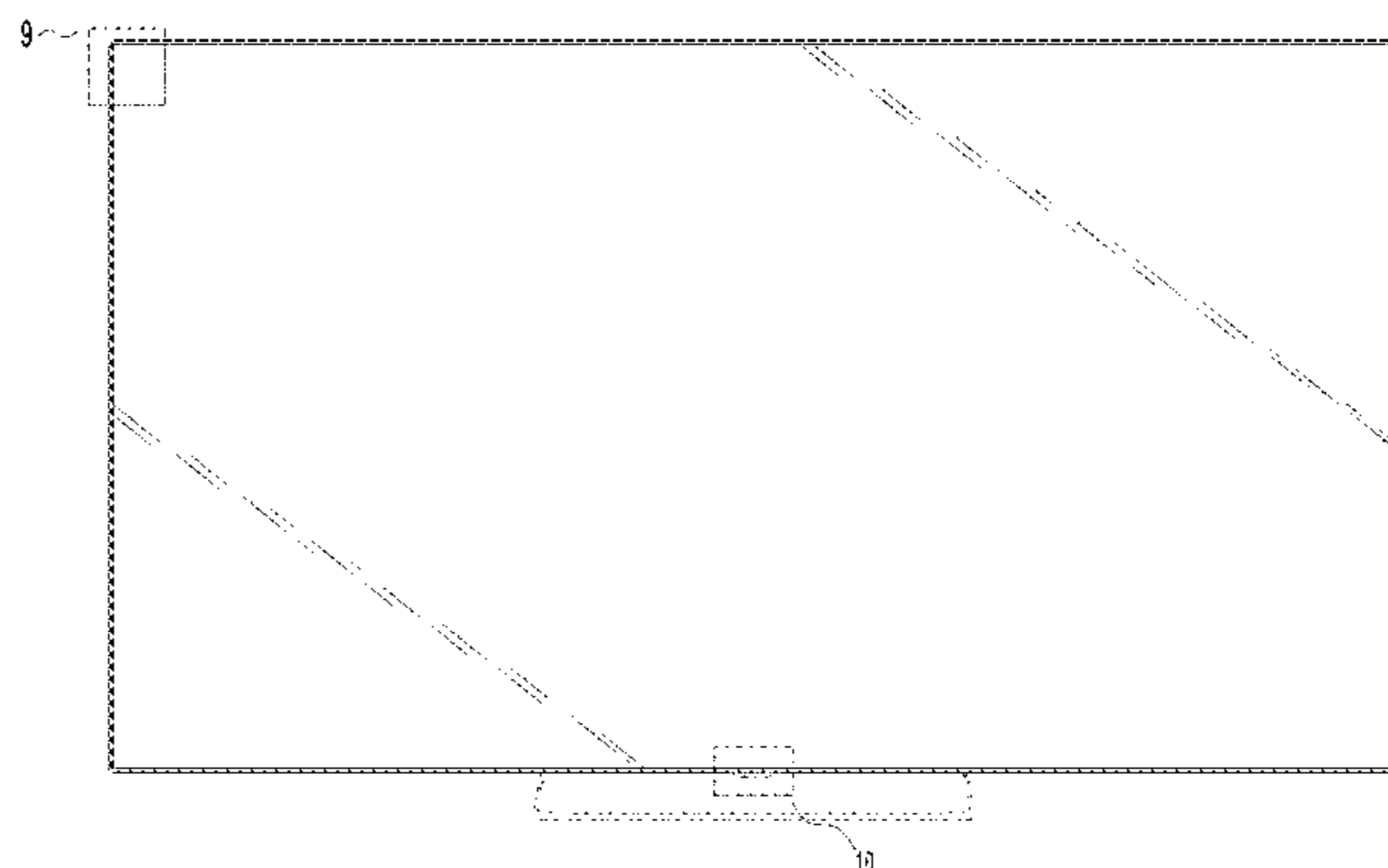
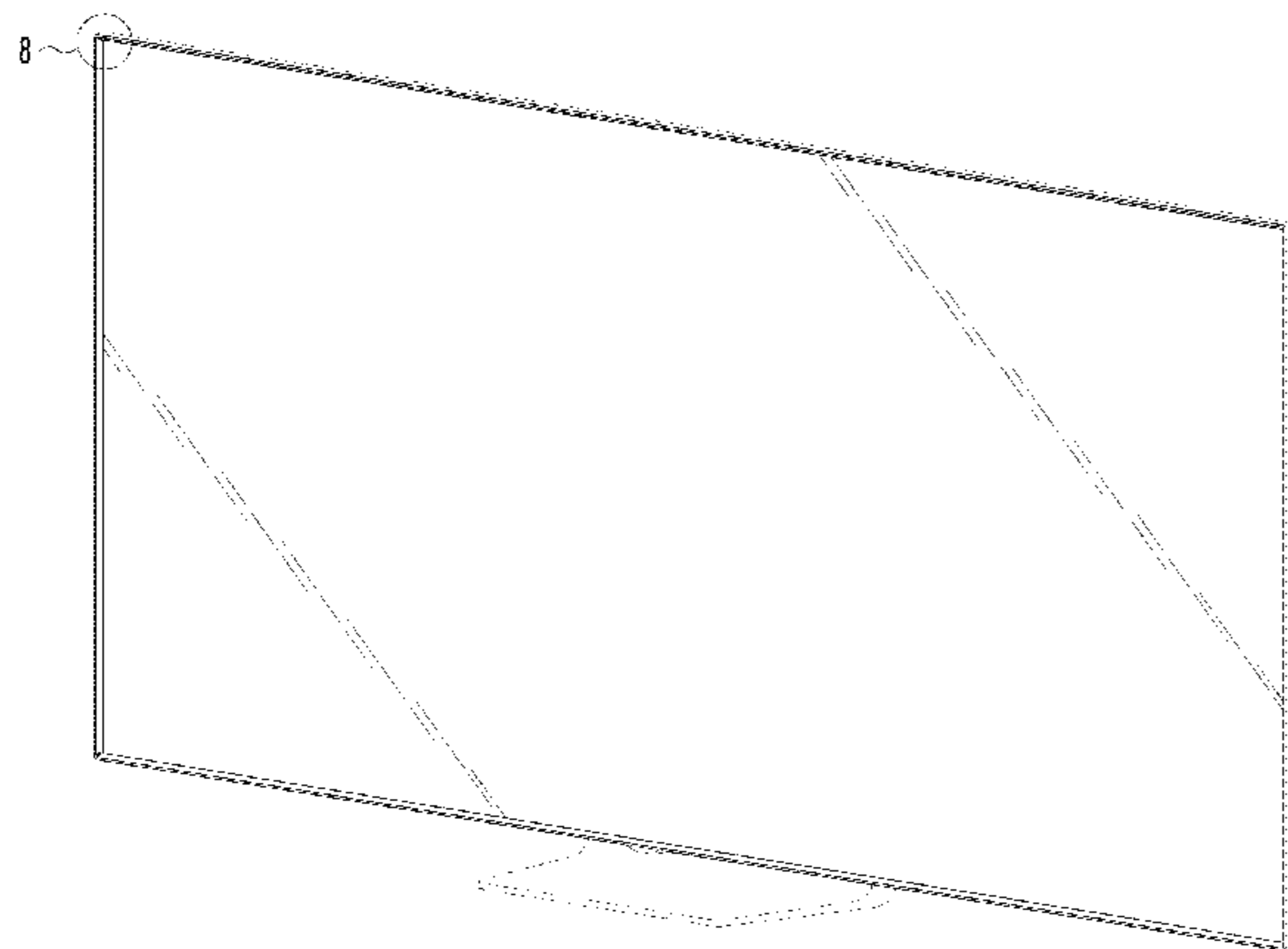
FIG. 10 is an enlarged view of the lower dot-dot-dash enclosed portion in FIG. 2.

The broken lines in the figures show portions of the television receiver which form no part of the claimed design.

The dot-dash lines in the figures represent an unclaimed boundary line and form no part of the claimed design.

The dot-dot-dash broken lines enclosing portions of the claimed design that are illustrated in enlargements form no part of the claimed design.

1 Claim, 10 Drawing Sheets



(58) **Field of Classification Search**
 USPC D10/26; D16/241; D21/329, 515, 577,
 D21/333, 331; 312/7.2; 345/104, 156,
 345/168, 87, 173, 690; 446/484, 175;
 273/148 B; 248/917-924, 465; 348/836,
 348/838, 180, 184, 325, 739
 CPC H05K 5/0004; H05K 5/0017; H05K 5/02;
 H05K 5/0216; G60F 1/1601; G60F
 1/1643
 See application file for complete search history.

(56) **References Cited**

U.S. PATENT DOCUMENTS

D626,101 S *	10/2010	Kim et al.	D14/126
D654,034 S *	2/2012	Lim et al.	D14/126
D654,447 S *	2/2012	Lee et al.	D14/126
D656,117 S *	3/2012	Won et al.	D14/126
D659,663 S *	5/2012	Xu et al.	D14/126
D663,706 S *	7/2012	Cha et al.	D14/126
D675,583 S *	2/2013	Kubota	D14/126
D682,232 S *	5/2013	Lee et al.	D14/126
D682,233 S *	5/2013	Yoo et al.	D14/126
D699,697 S *	2/2014	Moon et al.	D14/126
D701,188 S *	3/2014	Lee	D14/126

D703,627 S *	4/2014	Son et al.	D14/126
D706,734 S *	6/2014	Takami et al.	D14/126
D709,045 S *	7/2014	Itou et al.	D14/126
D709,843 S *	7/2014	Inoue et al.	D14/126
D709,845 S *	7/2014	Itou et al.	D14/126
D712,367 S *	9/2014	Park et al.	D14/126
D714,238 S *	9/2014	Kim	D14/126
D715,754 S *	10/2014	Jang et al.	D14/126
D717,754 S *	11/2014	Kim et al.	D14/126
D723,483 S *	3/2015	Lee et al.	D14/126
D725,059 S *	3/2015	Kim et al.	D14/126
D725,064 S *	3/2015	Kim et al.	D14/126
D725,615 S *	3/2015	Go et al.	D14/126
D726,135 S *	4/2015	Takechi	D14/126
D726,137 S *	4/2015	Lee et al.	D14/126
D726,667 S *	4/2015	Kim et al.	D14/126
D726,669 S *	4/2015	Yoo et al.	D14/126
D727,864 S *	4/2015	Kim et al.	D14/126

OTHER PUBLICATIONS

Russian Office Action issued on Oct. 22, 2014 in the Russia Patent Office in corresponding Russian Design Application No. 2014500816. (5 pages, including a complete English Translation).

* cited by examiner

FIG.1

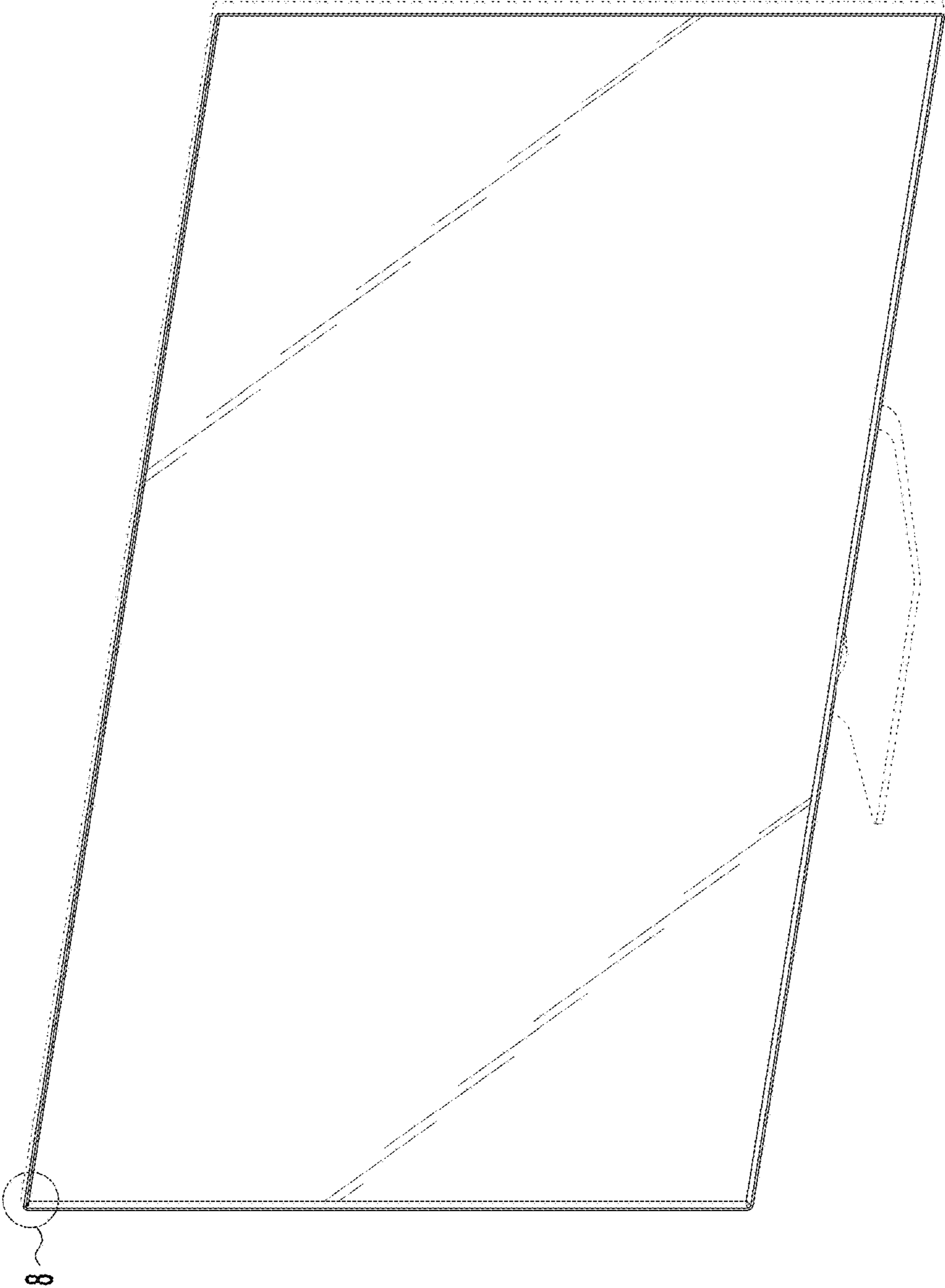


FIG.2

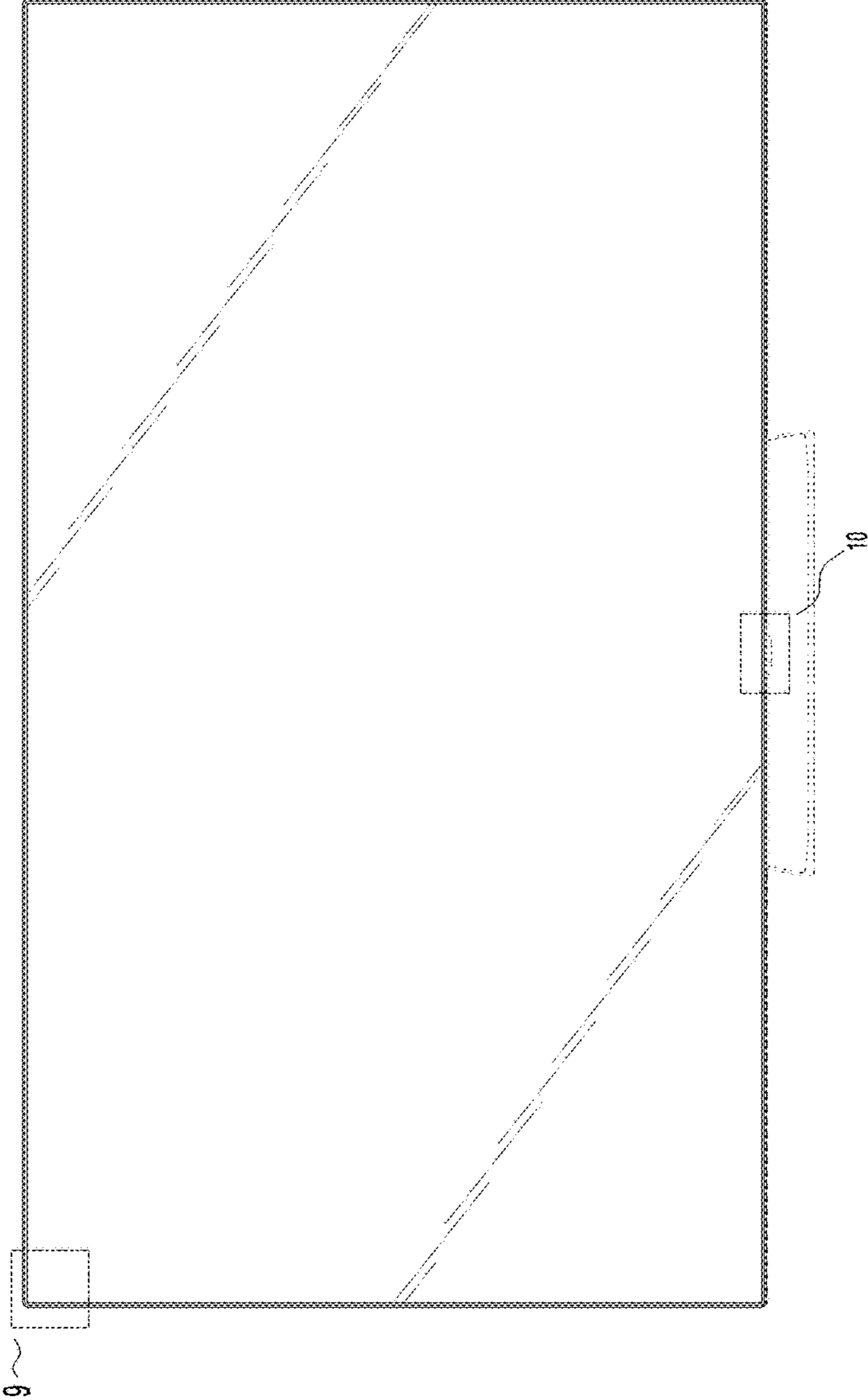


FIG.3

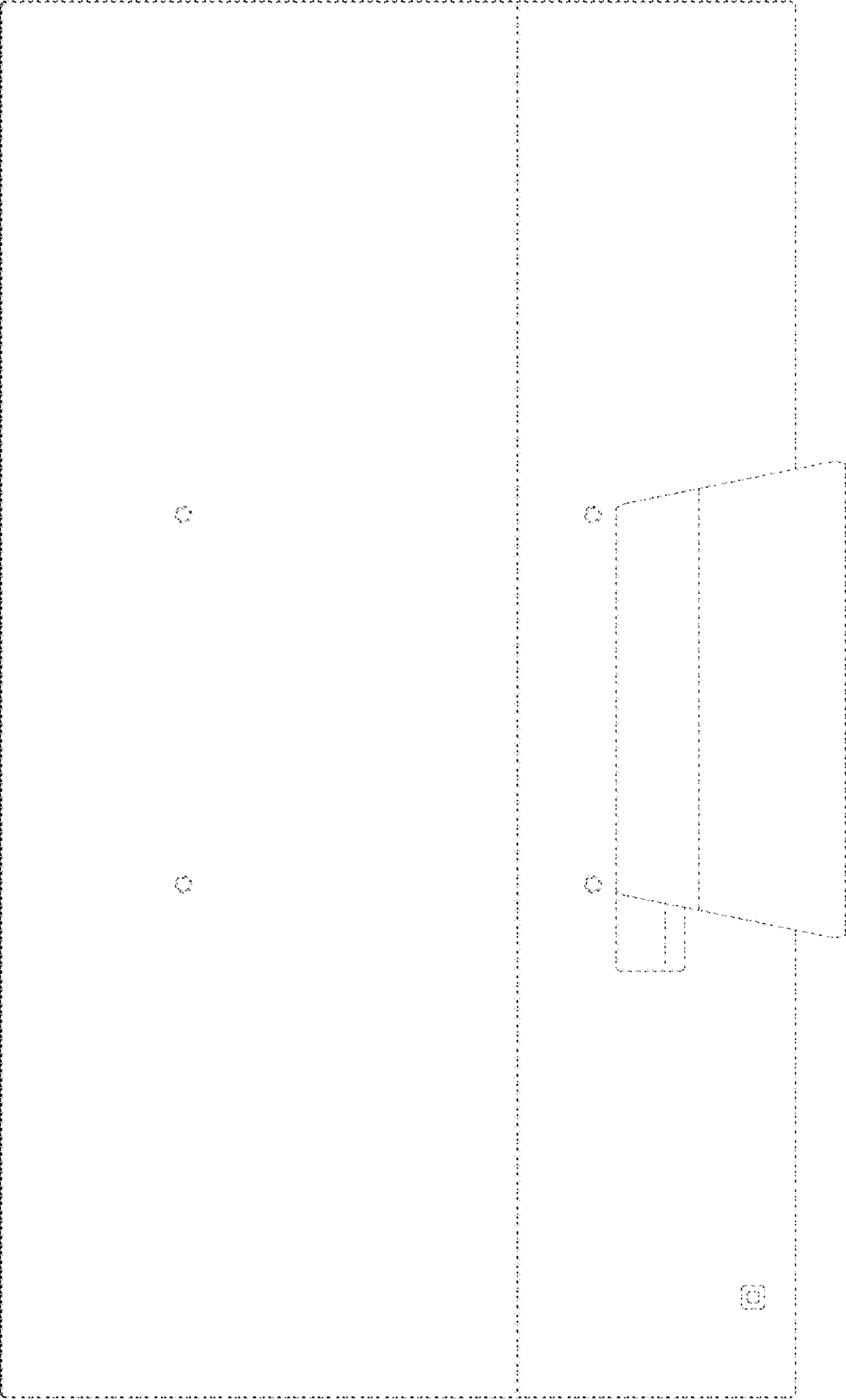


FIG. 4

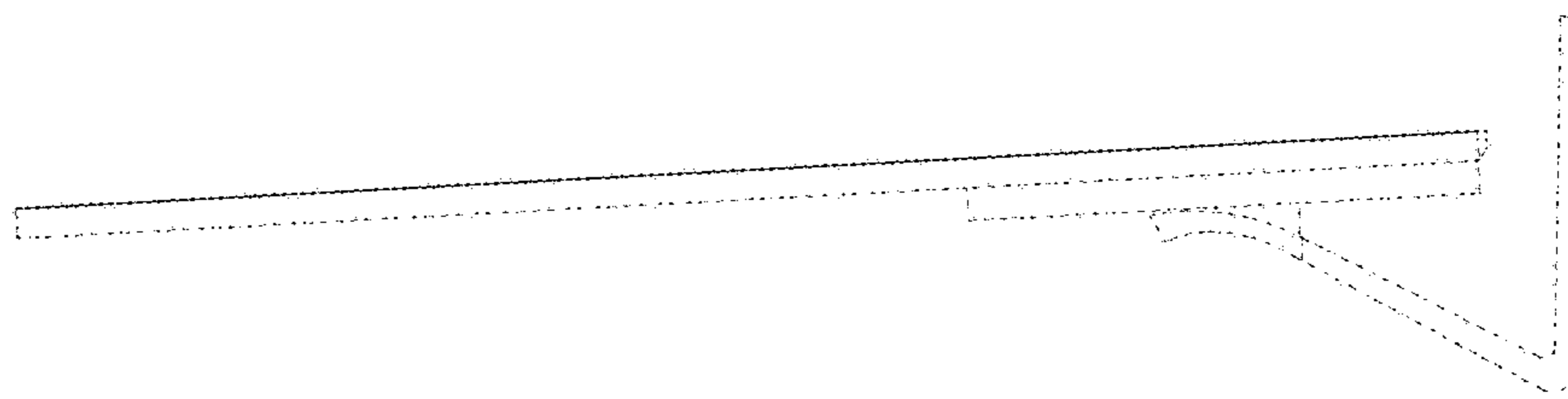


FIG. 5

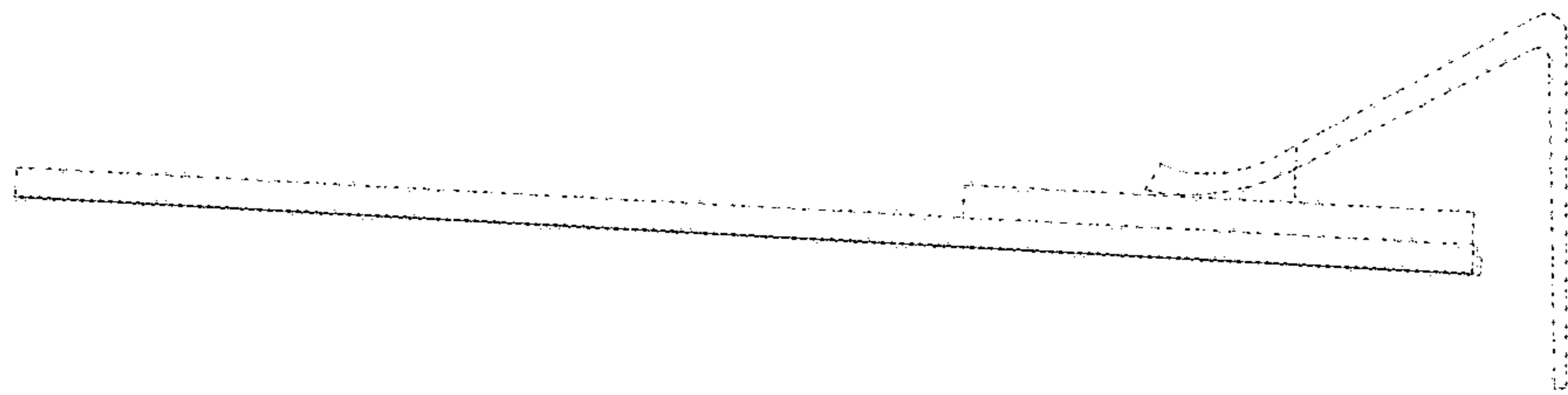


FIG. 6

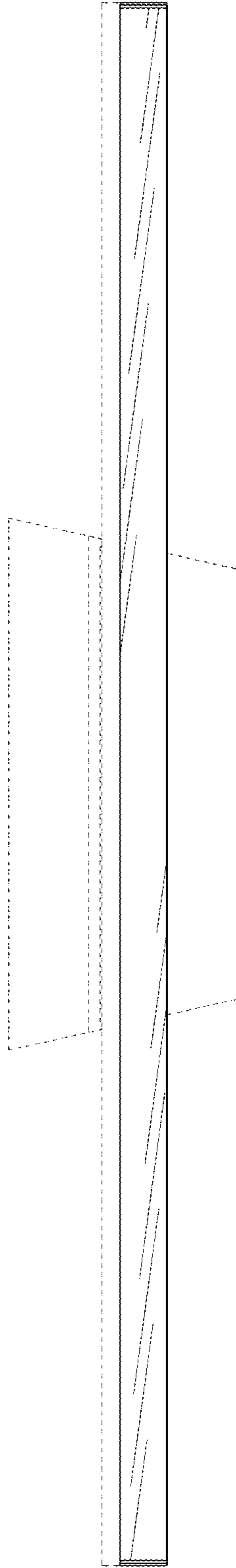


FIG.7

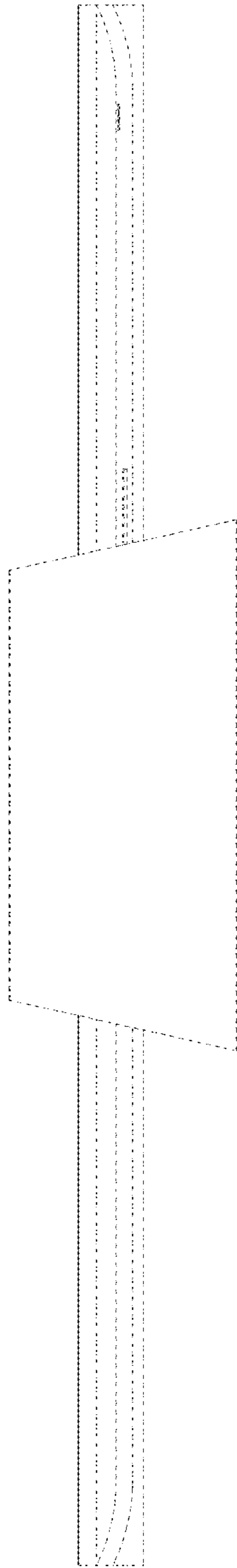


FIG. 8

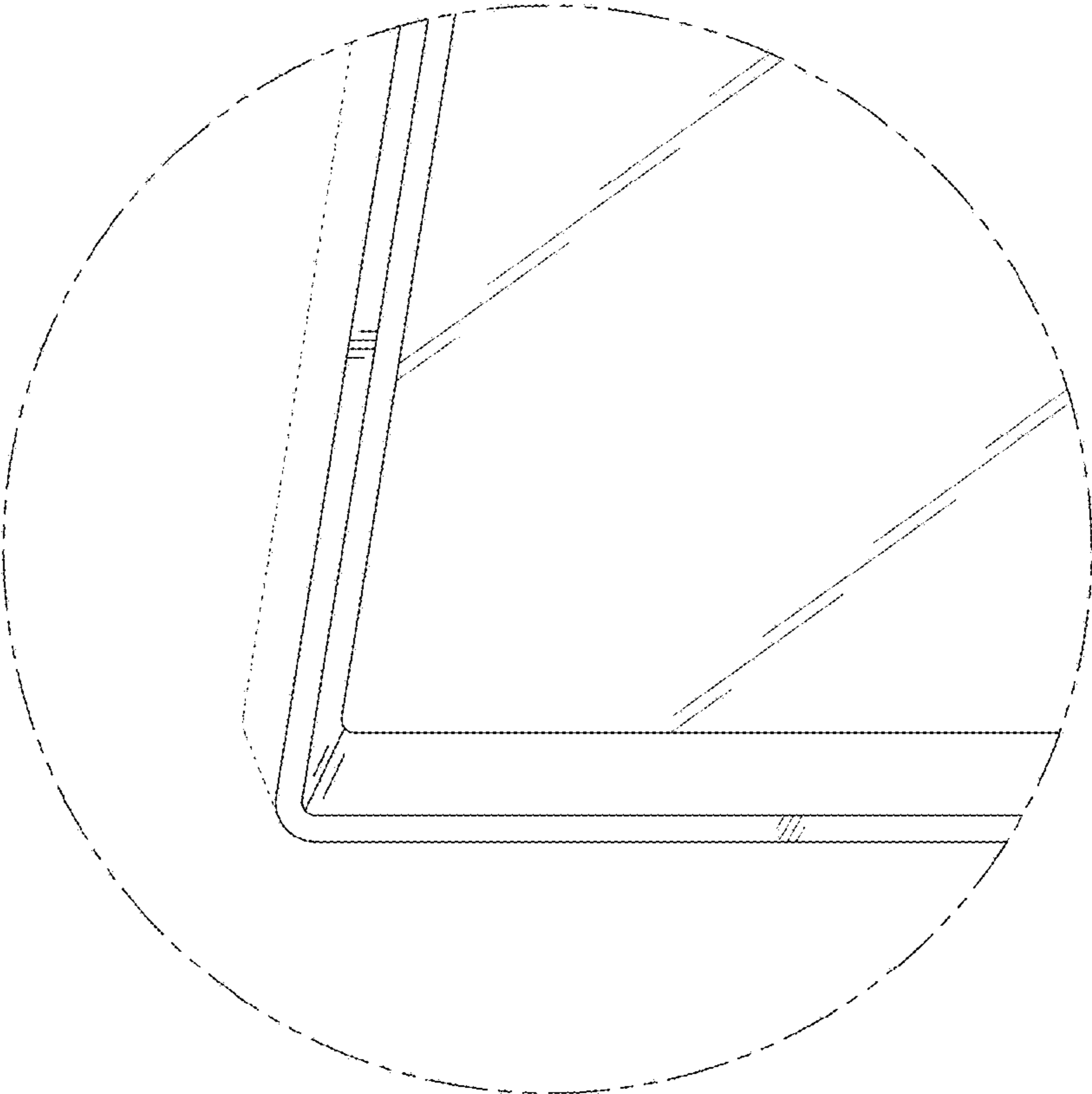


FIG. 9

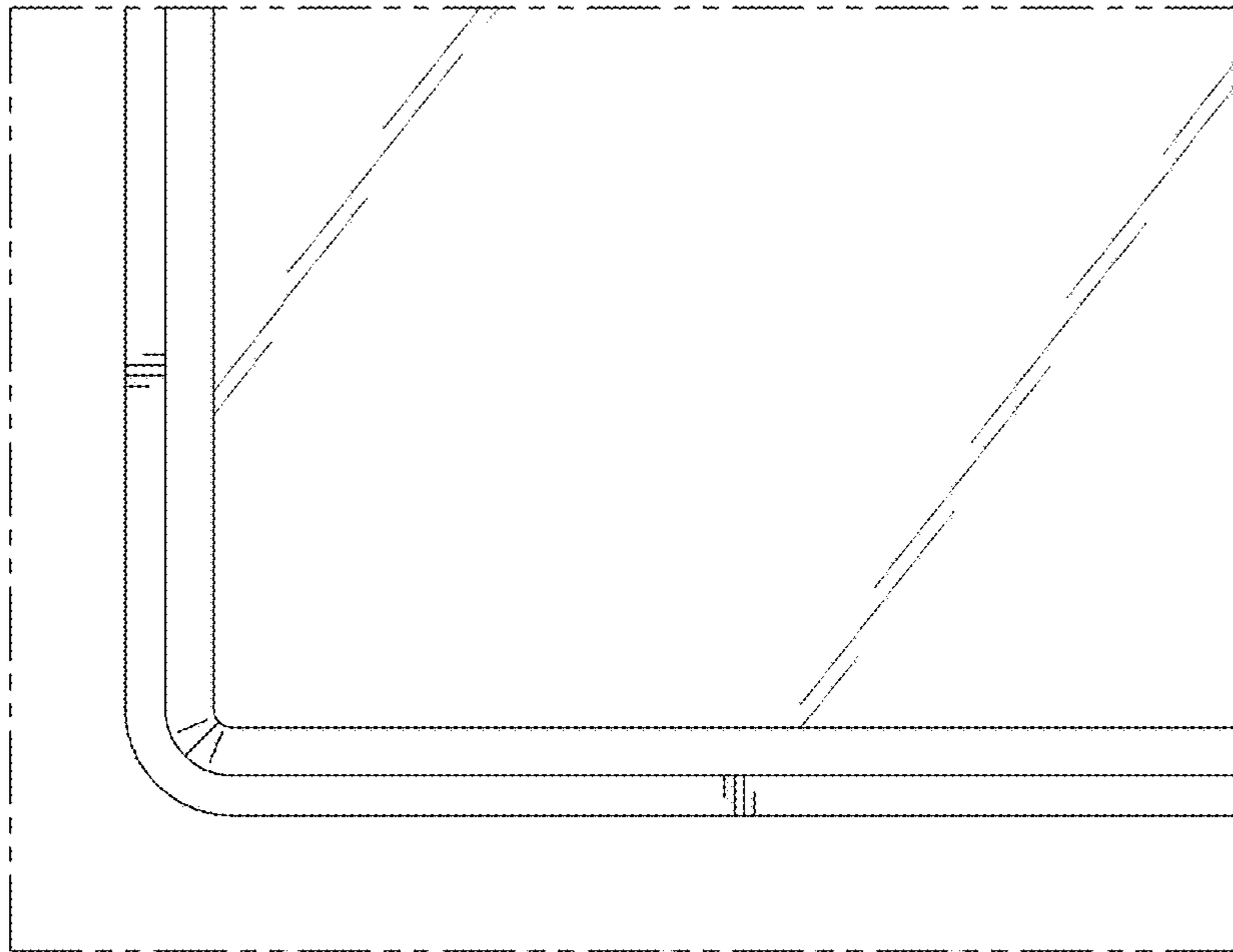


FIG.10

