



US00D784935S

(12) **United States Design Patent** (10) **Patent No.:** **US D784,935 S**  
**Kawano et al.** (45) **Date of Patent:** **\*\* Apr. 25, 2017**

(54) **LIGHT EMITTING DIODE**  
(71) Applicant: **TOYODA GOSEI CO., LTD.**,  
Kiyosu-shi (JP)  
(72) Inventors: **Eiki Kawano**, Kiyosu (JP); **Norifumi Hattori**, Kiyosu (JP)  
(73) Assignee: **Toyoda Gosei Co., Ltd.**, Kiyosu-shi,  
Aichi-ken (JP)

D640,211 S 6/2011 Kokubu et al.  
D674,361 S \* 1/2013 Lin ..... D13/180  
D695,239 S \* 12/2013 Ko ..... D13/180  
D698,744 S \* 2/2014 Kobayashi ..... D13/180  
D712,851 S \* 9/2014 Cai ..... D13/180  
D763,207 S \* 8/2016 Lin ..... D13/180  
2004/0256706 A1 \* 12/2004 Nakashima ..... H01L 23/49562  
257/678  
2007/0262328 A1 \* 11/2007 Bando ..... H01L 24/97  
257/79  
2012/0104426 A1 \* 5/2012 Chan ..... H01L 25/0753  
257/89

(\*\*) Term: **15 Years**

**FOREIGN PATENT DOCUMENTS**

(21) Appl. No.: **29/538,910**

JP 1416720 S 6/2011

(22) Filed: **Sep. 9, 2015**

\* cited by examiner

(30) **Foreign Application Priority Data**

Mar. 10, 2015 (JP) ..... 2015-005186

*Primary Examiner* — Selina Sikder

(51) **LOC (10) Cl.** ..... **13-03**

(74) *Attorney, Agent, or Firm* — McGinn IP Law Group, PLLC

(52) **U.S. Cl.**  
USPC ..... **D13/180**

(57) **CLAIM**

(58) **Field of Classification Search**  
USPC ..... D13/180; D26/1; 257/88  
CPC ... H01L 25/167; H01L 25/0753; H01L 27/15;  
H01L 27/156; H01L 31/02; H01L 33/00;  
H01L 33/04; H01L 33/08; H01L 33/10;  
H01L 33/20; H01L 33/38; H01L 33/42;  
H01L 33/48; H01L 33/483; H01L 33/486;  
H01L 33/52; H01L 33/54; H01L 33/56;  
F21K 9/135; F21K 9/30; F21K 9/50  
See application file for complete search history.

The ornamental design for light emitting diode, as shown and described.

**DESCRIPTION**

(56) **References Cited**

**U.S. PATENT DOCUMENTS**

D592,617 S \* 5/2009 Bando ..... D13/180  
D593,967 S \* 6/2009 Fushimi ..... D13/180  
D619,110 S \* 7/2010 Lin ..... D13/180

FIG. 1 is a bottom perspective view of a light emitting diode showing our new design;  
FIG. 2 is a top plan perspective view thereof;  
FIG. 3 is a front view thereof;  
FIG. 4 is a rear view thereof;  
FIG. 5 is a top plan view thereof;  
FIG. 6 is a bottom view thereof;  
FIG. 7 is a right side view thereof; and,  
FIG. 8 is a left side view thereof.  
The broken lines are shown for illustrative purposes only and form no part of the claimed design.

**1 Claim, 8 Drawing Sheets**

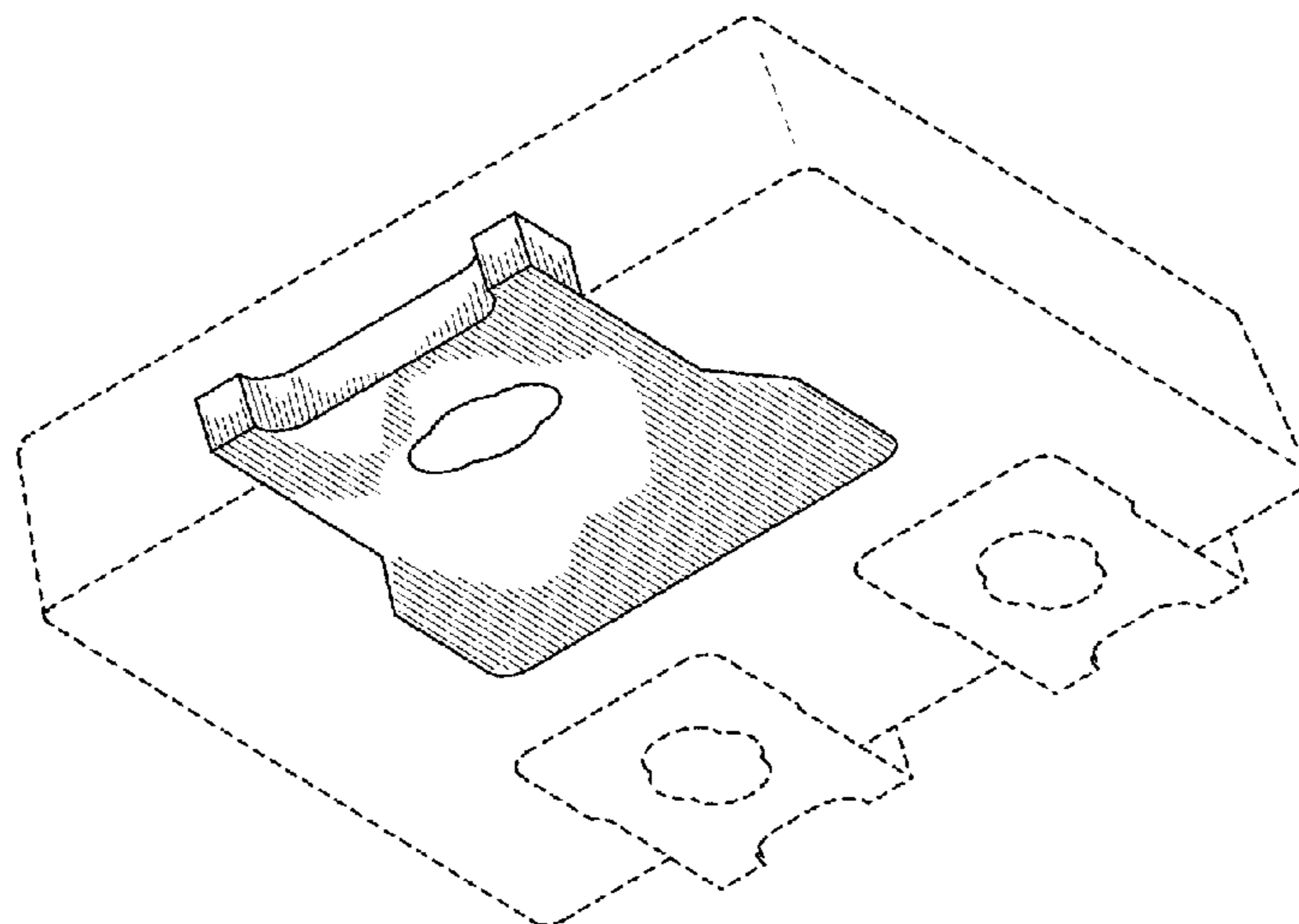


FIG. 1

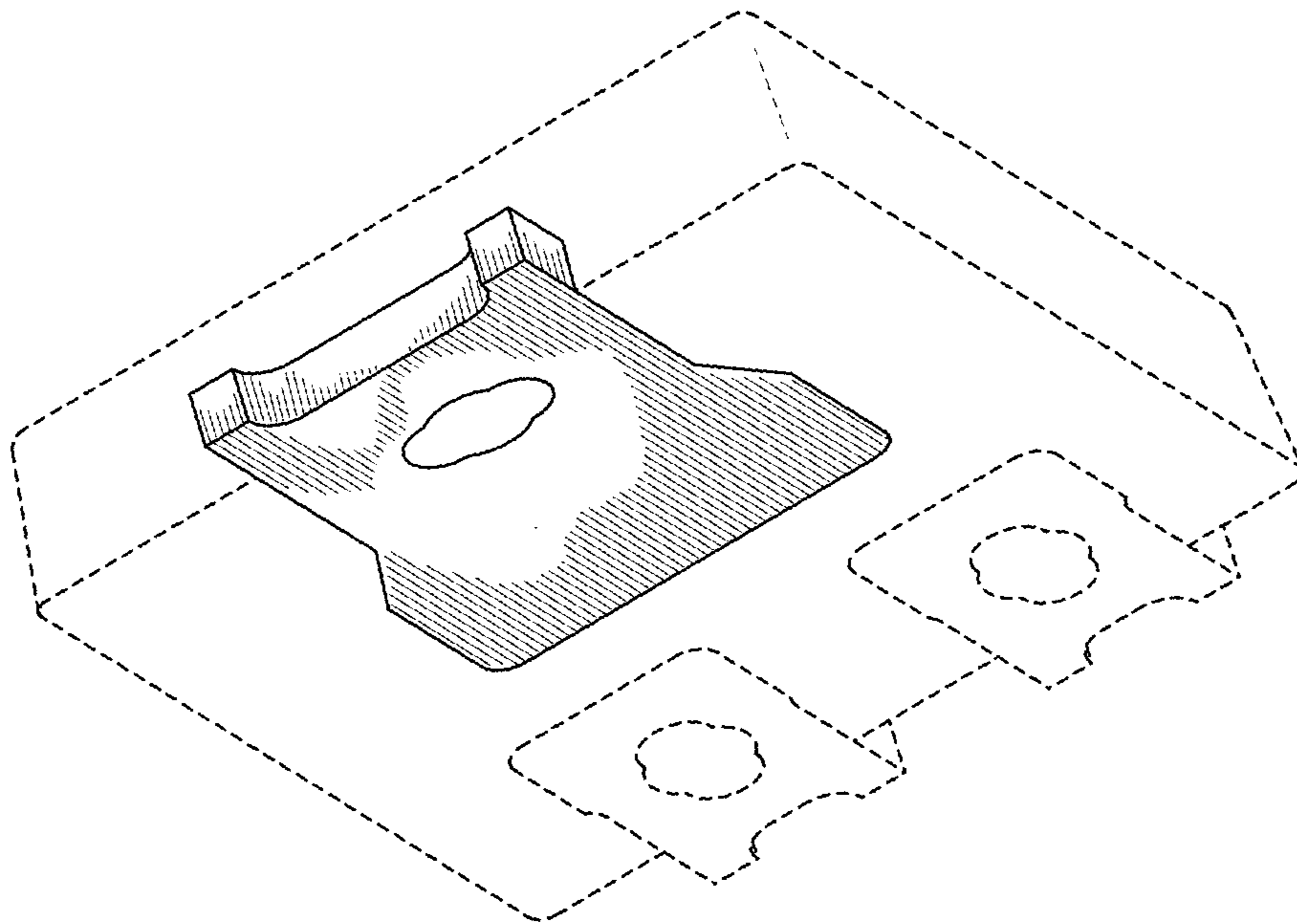


FIG. 2

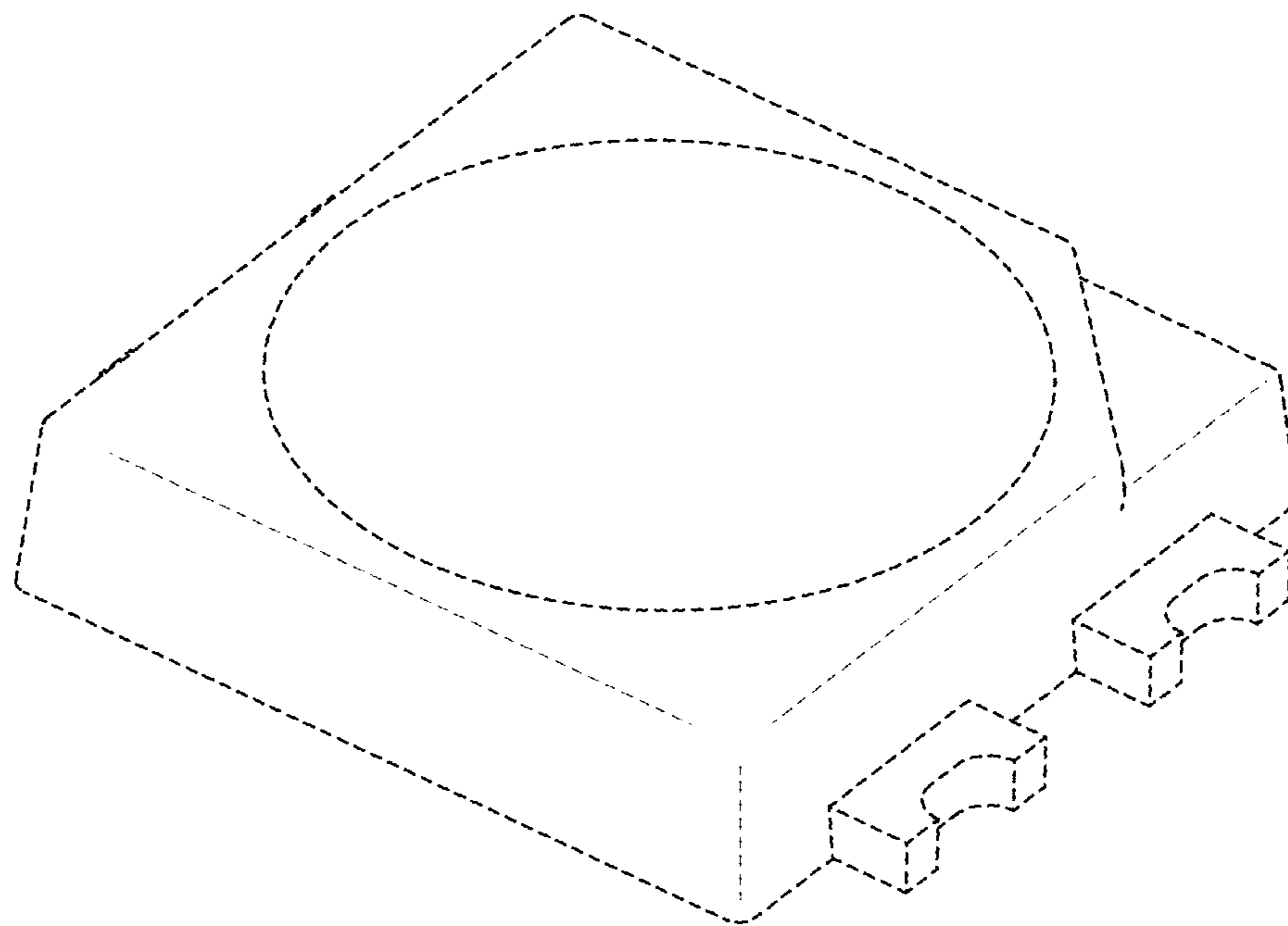


FIG. 3



FIG. 4



FIG. 5

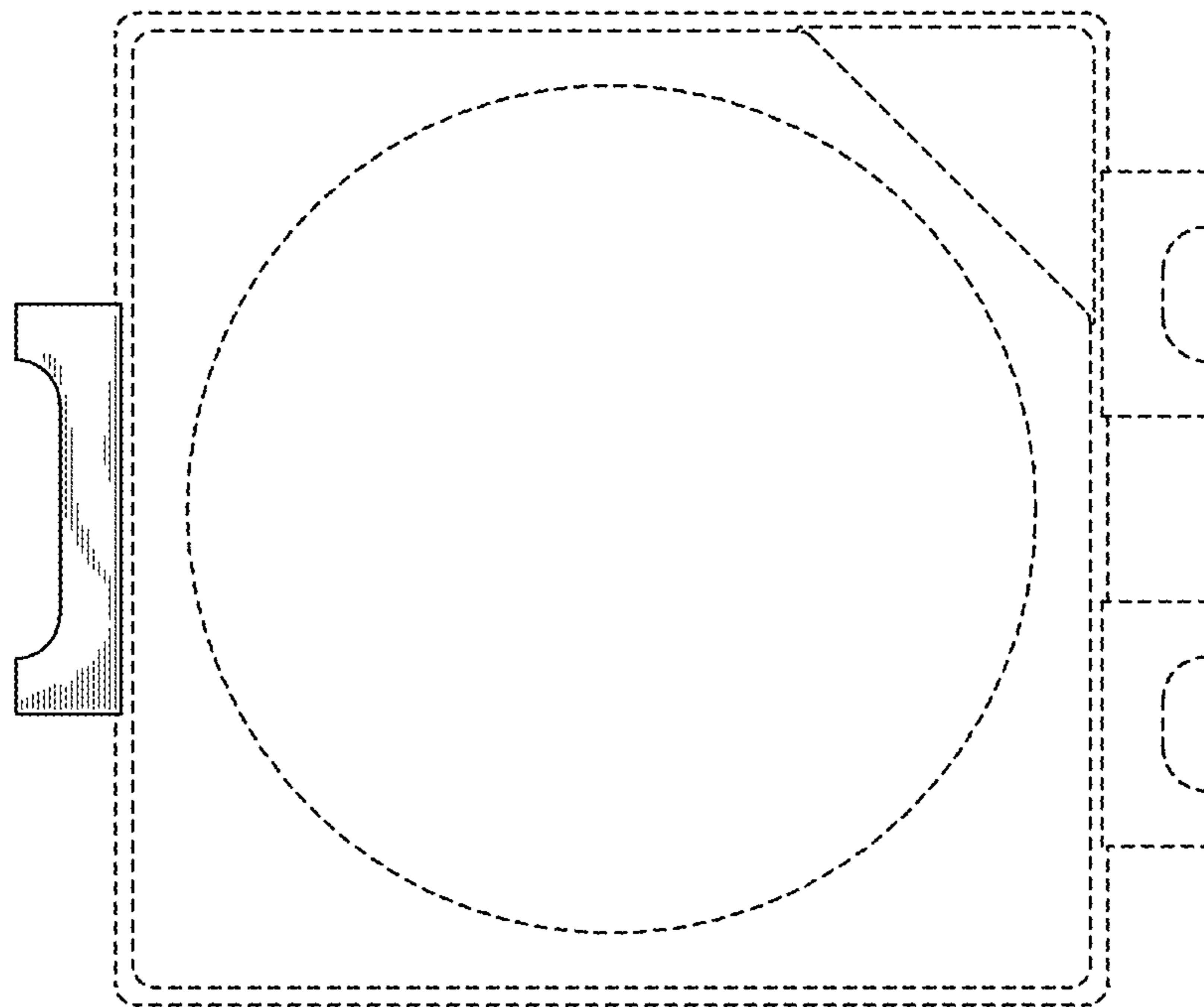


FIG. 6

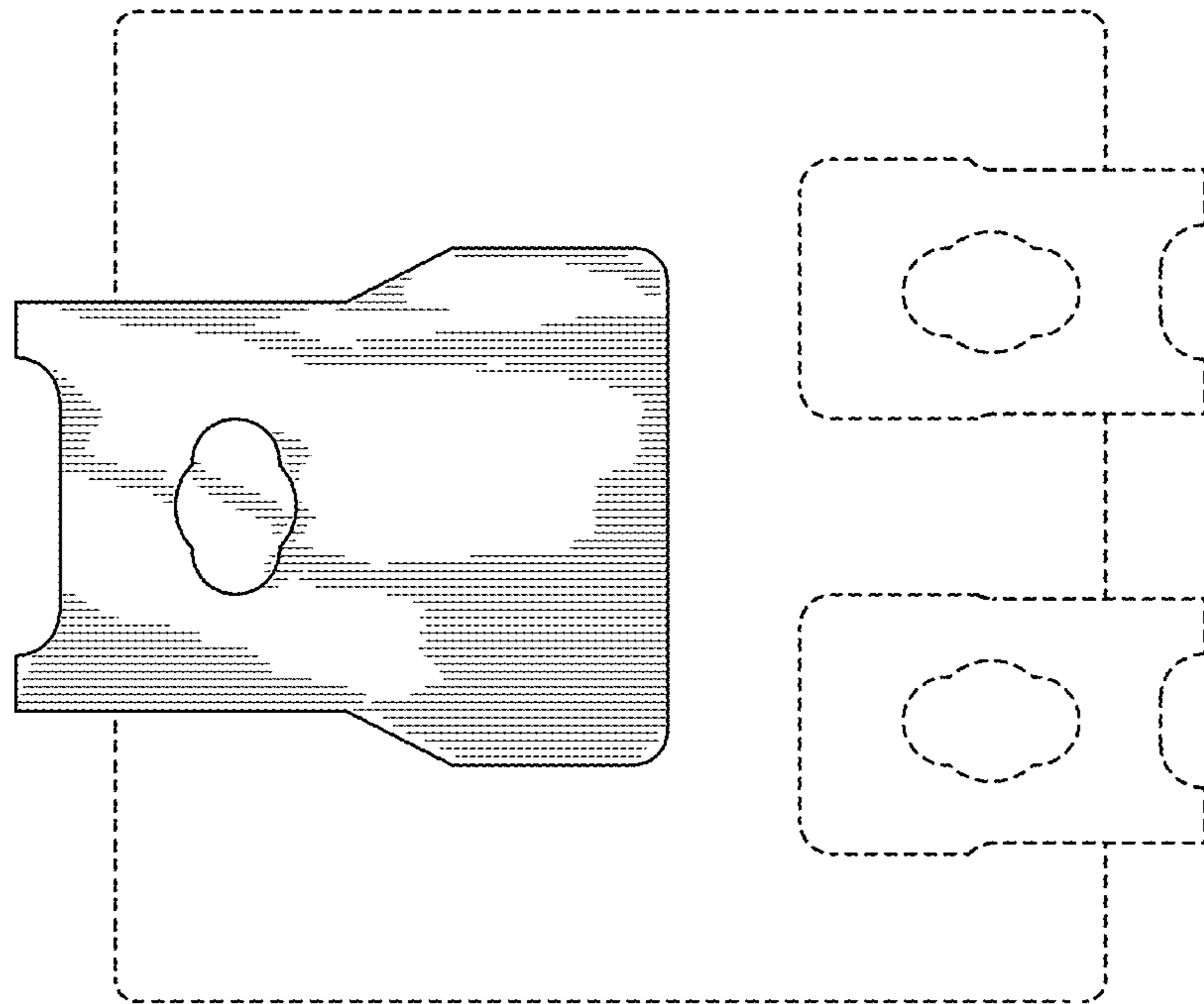


FIG. 7





FIG. 8

