



US00D784933S

(12) **United States Design Patent** (10) **Patent No.:** **US D784,933 S**  
**Andersson et al.** (45) **Date of Patent:** **\*\* \*Apr. 25, 2017**

(54) **SWITCHING DEVICE**

(71) Applicant: **Siemens Aktiengesellschaft**, München (DE)

(72) Inventors: **Jan Andersson**, Erlangen (DE); **Tobias Reese**, Bamberg (DE); **Christoph Tomczak**, Erlangen (DE)

(73) Assignee: **SIEMENS AKTIENGESELLSCHAFT**, München (DE)

(\*) Notice: This patent is subject to a terminal disclaimer.

(\*\*) Term: **14 Years**

(21) Appl. No.: **29/482,512**

(22) Filed: **Feb. 19, 2014**

(30) **Foreign Application Priority Data**

Aug. 20, 2013 (EM) ..... 001381305

(51) **LOC (10) Cl.** ..... **13-03**

(52) **U.S. Cl.**  
USPC ..... **D13/158**

(58) **Field of Classification Search**  
USPC ..... D13/110, 123, 147, 151, 158-177, 184;  
200/43, 295, 296, 308, 310, 314, 329,  
200/340, 1 R, 5 A, 5 R, 6 R; 439/491,  
439/535; 335/202, 251, 262  
See application file for complete search history.

(56) **References Cited**

U.S. PATENT DOCUMENTS

D480,364 S \* 10/2003 Bluemel ..... D13/159  
D519,086 S \* 4/2006 Bluemel ..... D13/159

D571,303 S \* 6/2008 Jokiniemi et al. .... D13/158  
D642,991 S \* 8/2011 Mattlar et al. .... D13/158  
D653,624 S \* 2/2012 Mattlar et al. .... D13/158  
D654,441 S \* 2/2012 Mattlar et al. .... D13/158  
D654,878 S \* 2/2012 Mattlar et al. .... D13/158  
D695,229 S \* 12/2013 Ran et al. .... D13/158  
D695,230 S \* 12/2013 Zhang et al. .... D13/158  
2010/0307895 A1 \* 12/2010 Park et al. .... 200/237

\* cited by examiner

*Primary Examiner* — Thomas Johannes

*Assistant Examiner* — Shawn T Gingrich

(74) *Attorney, Agent, or Firm* — Henry M. Feiereisen LLC.

(57) **CLAIM**

The ornamental design for the switching device, as shown and described.

**DESCRIPTION**

FIG. 1 is a front elevational view of a switching device showing my new design;  
FIG. 2 is a rear elevational view thereof;  
FIG. 3 is a top elevational view thereof;  
FIG. 4 is a bottom elevational view thereof;  
FIG. 5 is a right side elevational view thereof;  
FIG. 6 is a left side elevational view thereof; and,  
FIG. 7 is a front right side perspective view thereof.  
The broken line showing in FIG. 7 depicts a portion of the design in which the design is embodied that forms no part of the claimed design.

**1 Claim, 7 Drawing Sheets**

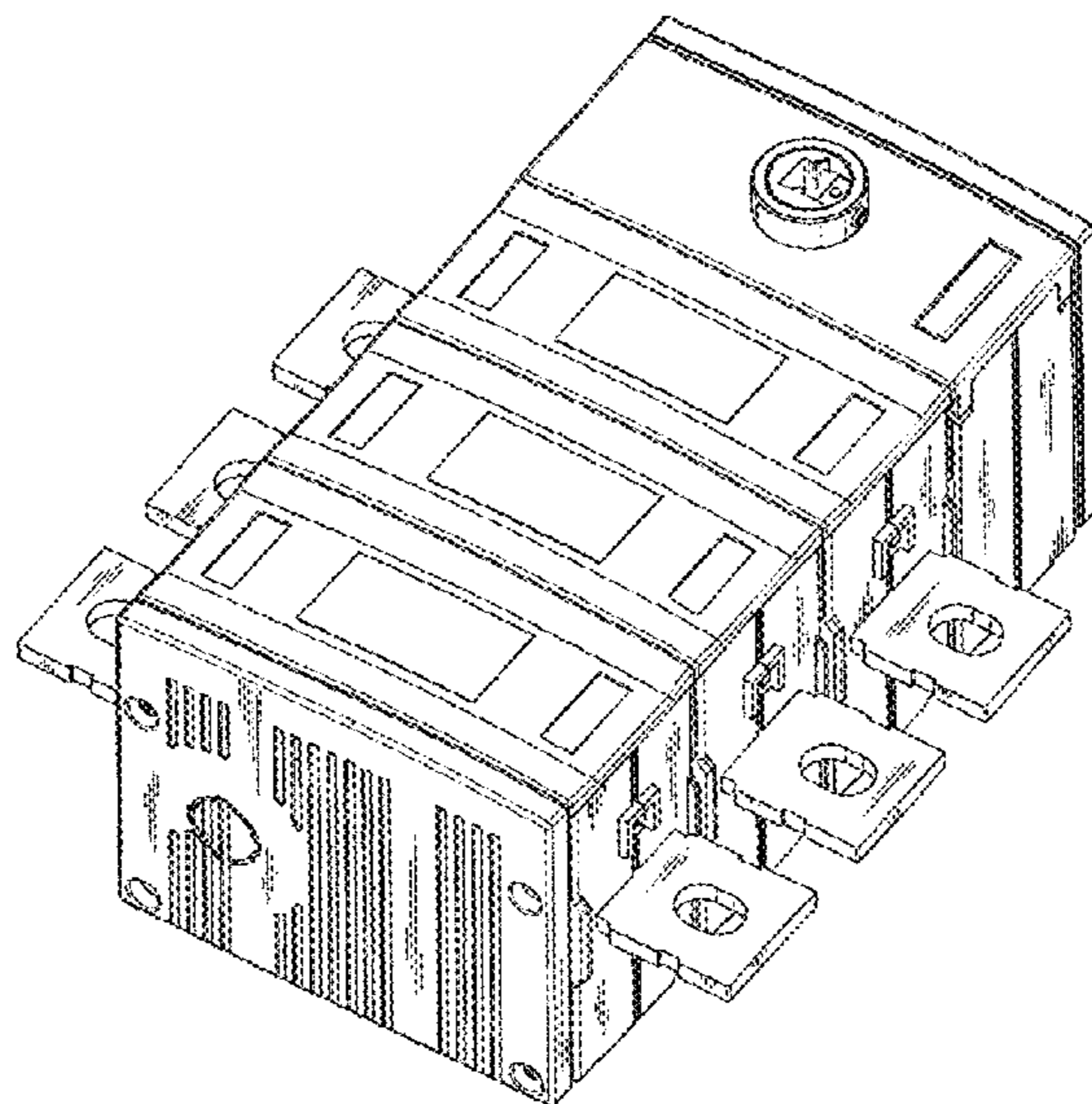


FIG 1

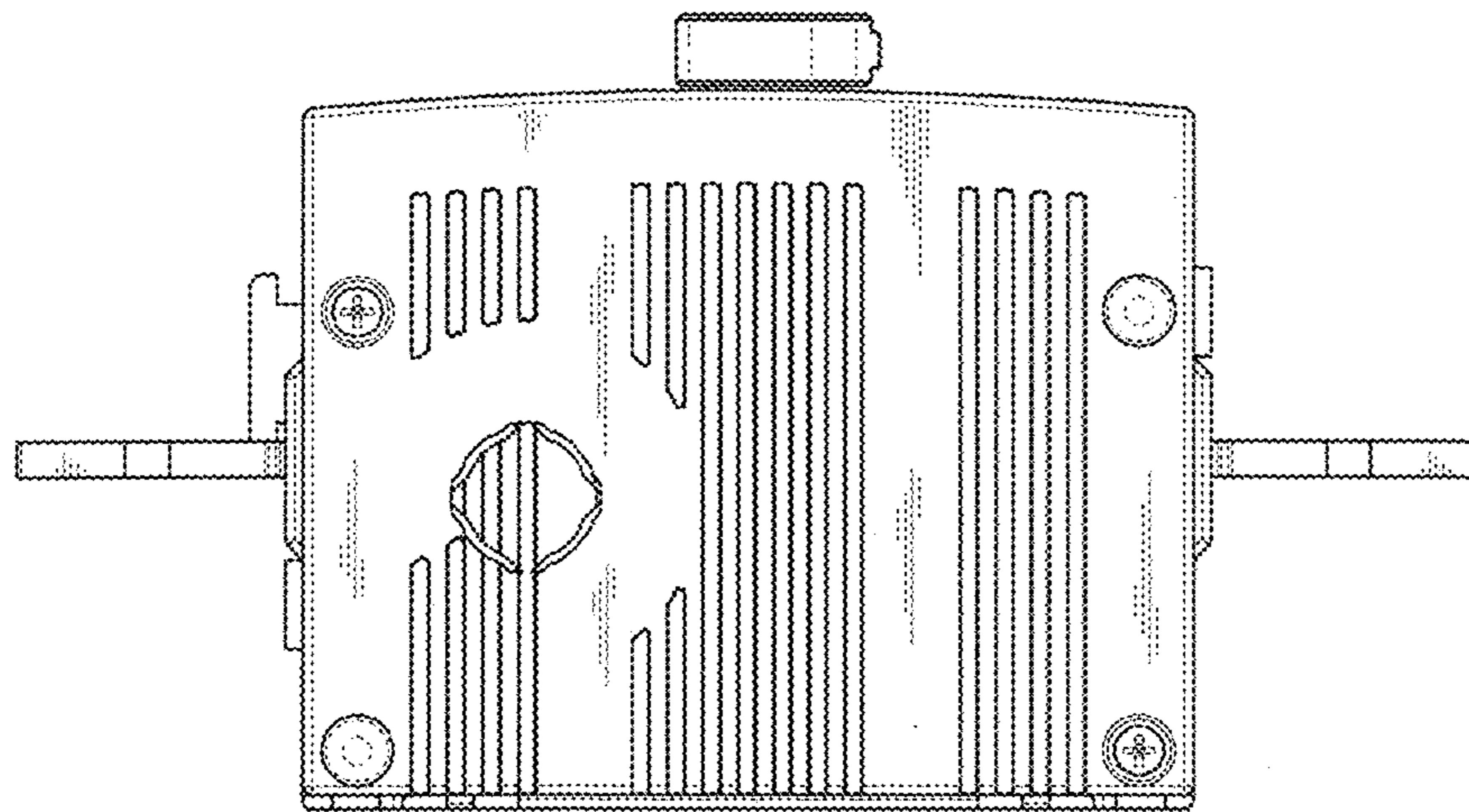


FIG 2

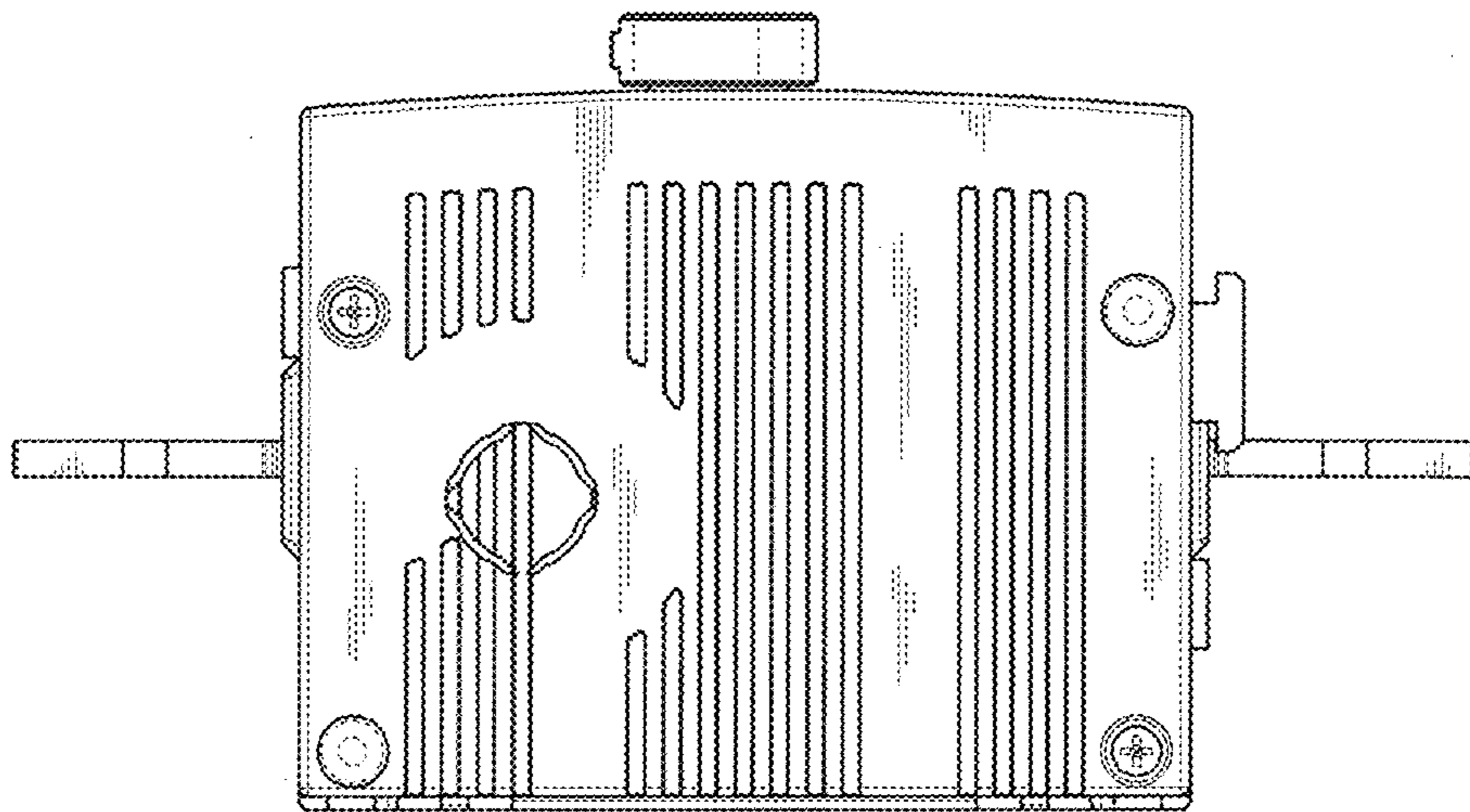


FIG 3

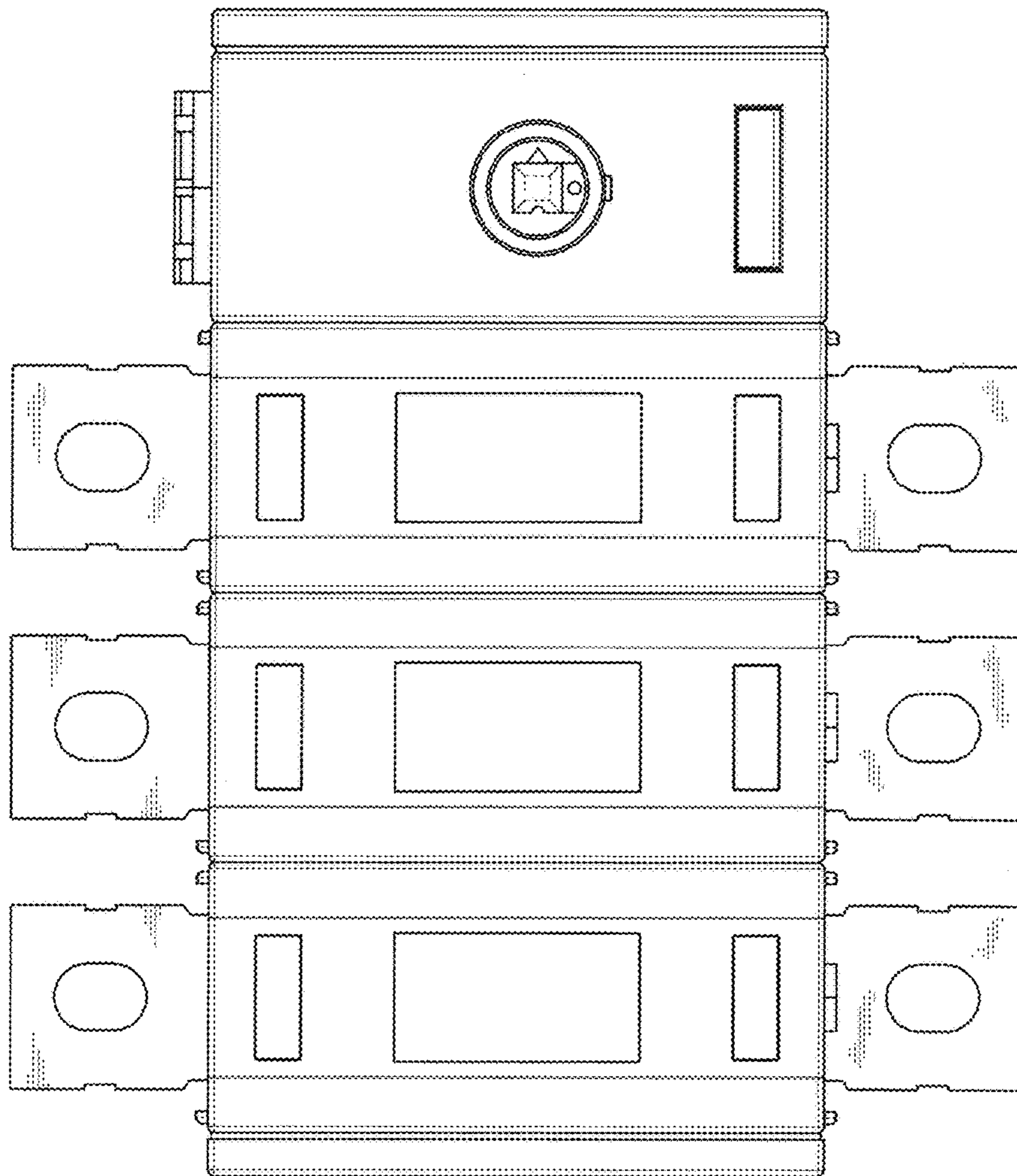




FIG 4

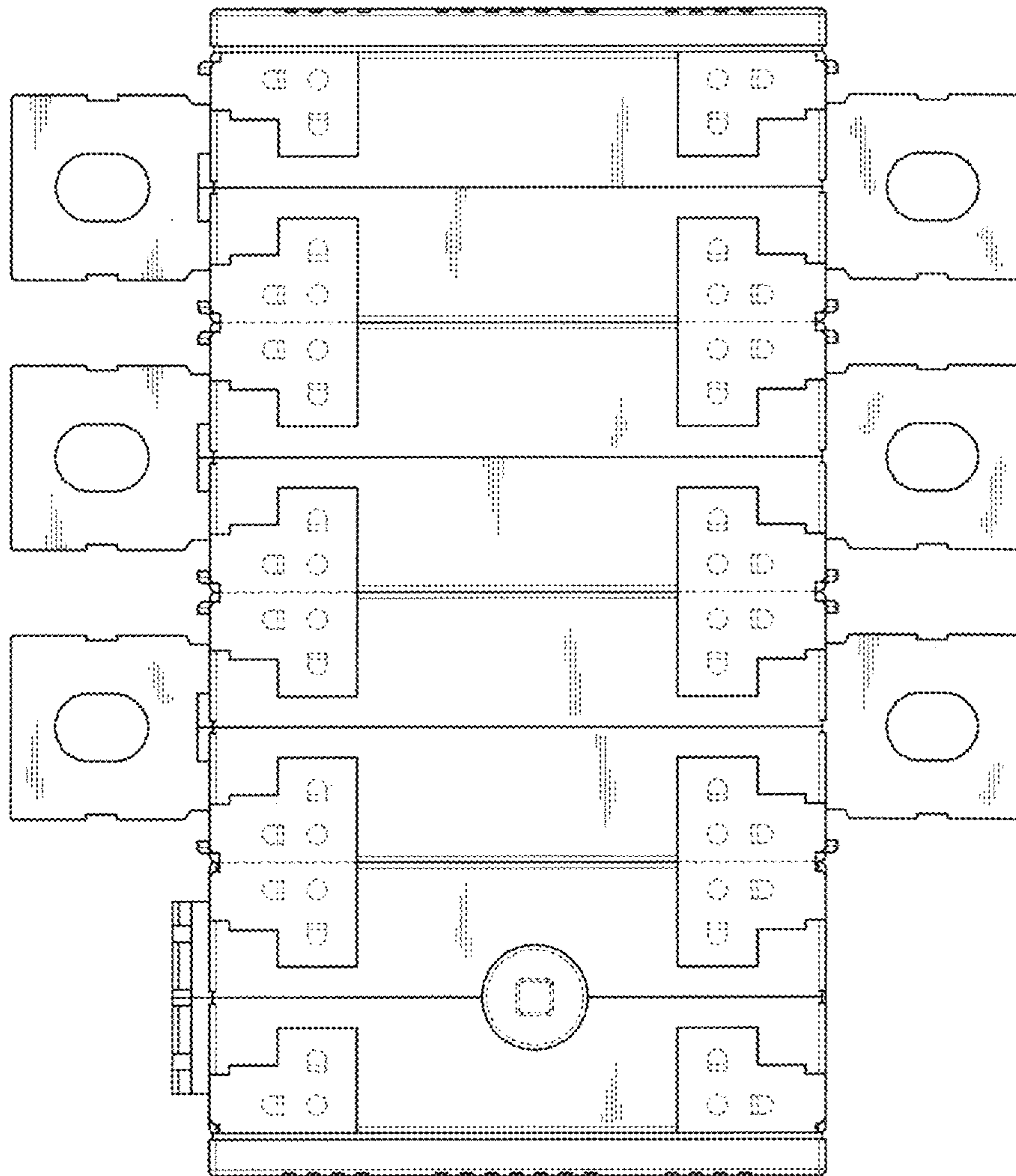


FIG 5

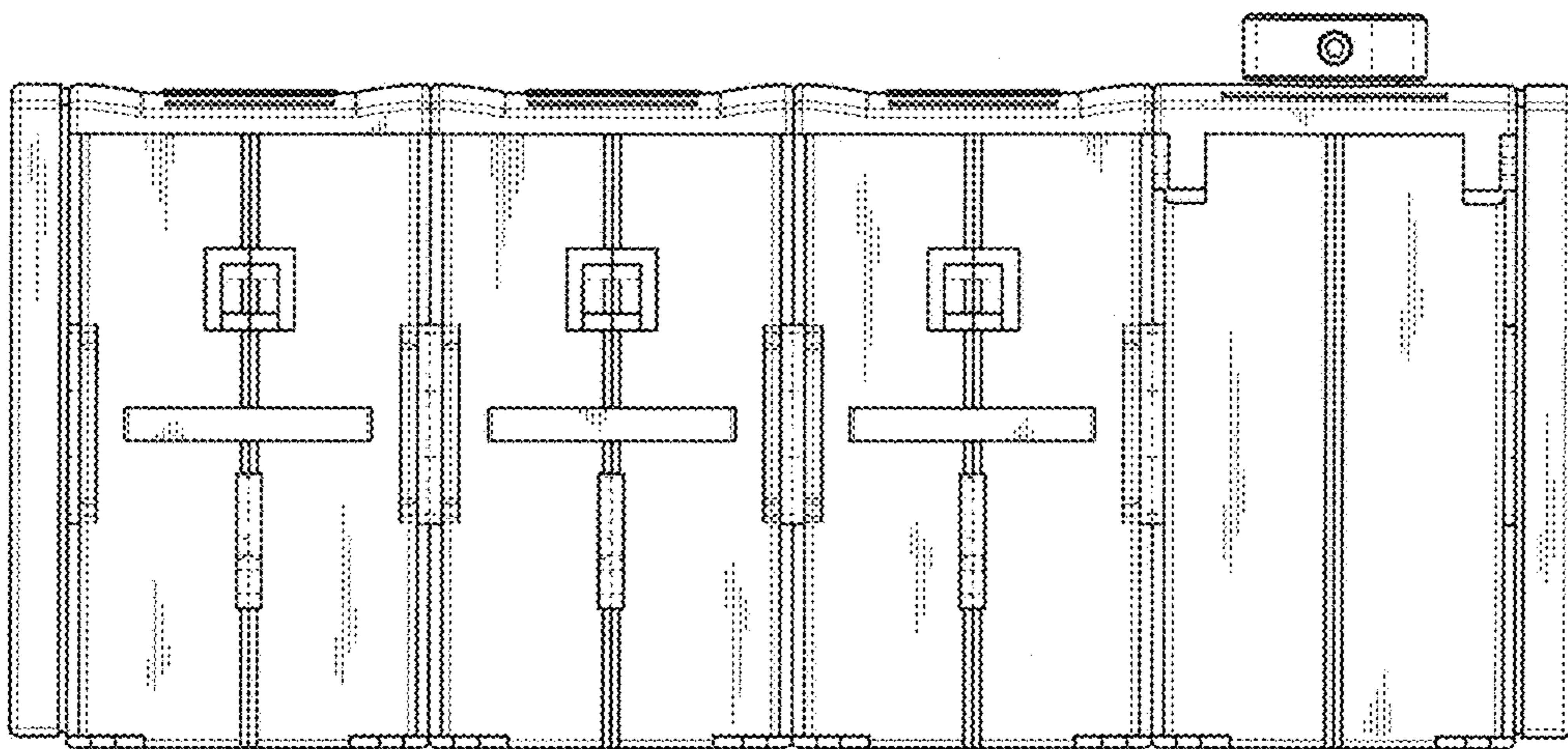


FIG 6

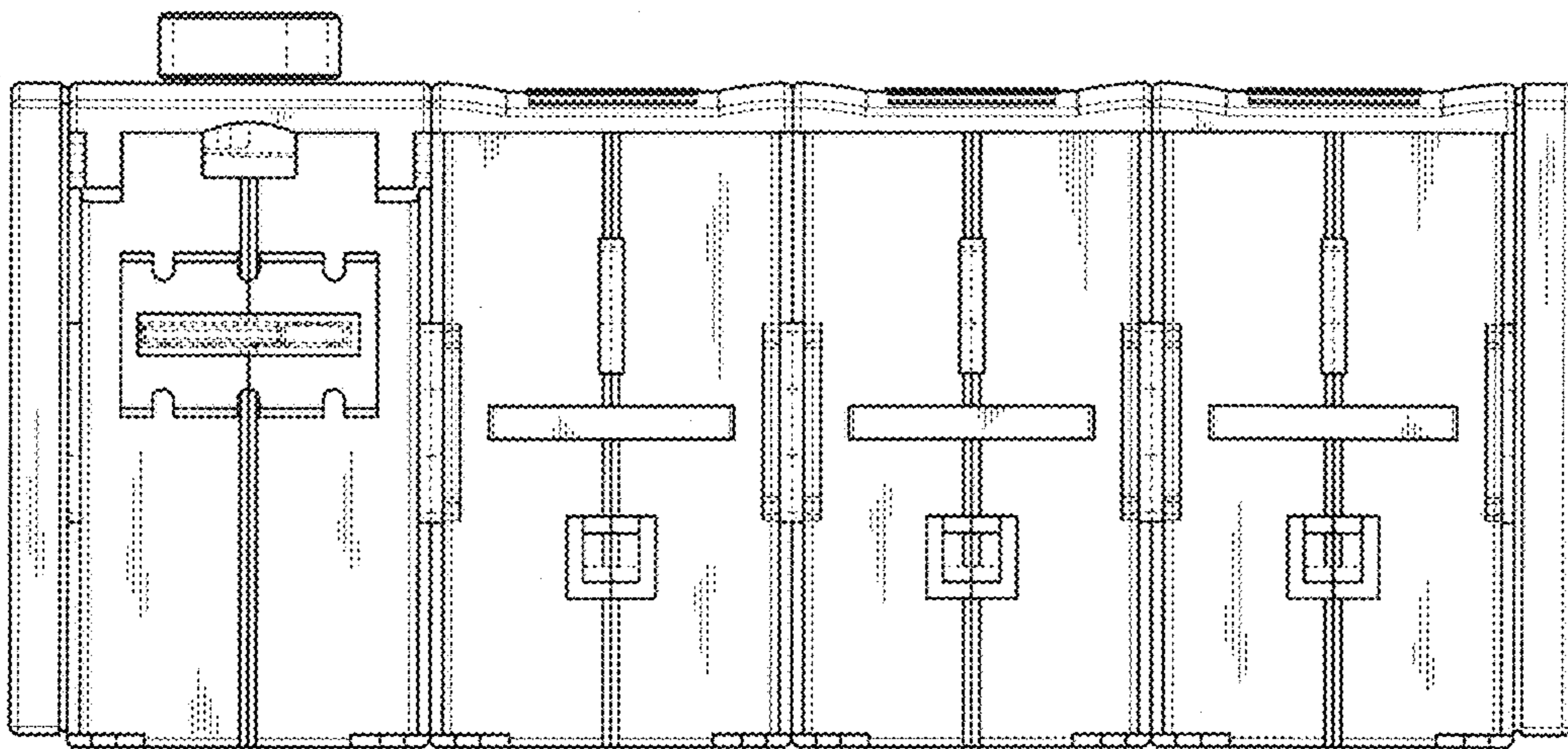


FIG.7

