



US00D784930S

(12) **United States Design Patent**
Hsu et al.

(10) **Patent No.:** **US D784,930 S**

(45) **Date of Patent:** **** Apr. 25, 2017**

(54) **STACKED ELECTRICAL CONNECTOR**

H01R 13/6583; H01R 13/6585; H01R
13/6586; H01R 13/6588

(71) Applicant: **FOXCONN INTERCONNECT
TECHNOLOGY LIMITED**, Grand
Cayman (KY)

See application file for complete search history.

(72) Inventors: **Chih-Ching Hsu**, New Taipei (TW);
Jun-Hua Hu, Kun Shan (CN);
Wei-Kang Liu, New Taipei (TW);
Chao-Tung Huang, New Taipei (TW);
De-Ke Liu, Kunshan (CN); **Jin-Jun Ze**,
Kunshan (CN)

(56) **References Cited**

U.S. PATENT DOCUMENTS

D419,134 S *	1/2000	Chen	D13/146
D442,145 S *	5/2001	Zheng	D13/147
D446,775 S *	8/2001	Chao-Hsing	D13/147
D473,193 S *	4/2003	Yang	D13/147
D548,192 S *	8/2007	Wan	D13/147
D570,290 S *	6/2008	He	D13/147

* cited by examiner

Primary Examiner — Daniel Bui

(74) *Attorney, Agent, or Firm* — Wei Te Chung; Ming
Chieh Chang

(73) Assignee: **FOXCONN INTERCONNECT
TECHNOLOGY LIMITED**, Grand
Cayman (KY)

(**) Term: **15 Years**

(57) **CLAIM**

(21) Appl. No.: **29/540,997**

The ornamental design for a stacked electrical connector, as
shown.

(22) Filed: **Sep. 30, 2015**

DESCRIPTION

(30) **Foreign Application Priority Data**

Apr. 3, 2015 (CN) 2015 3 0085727

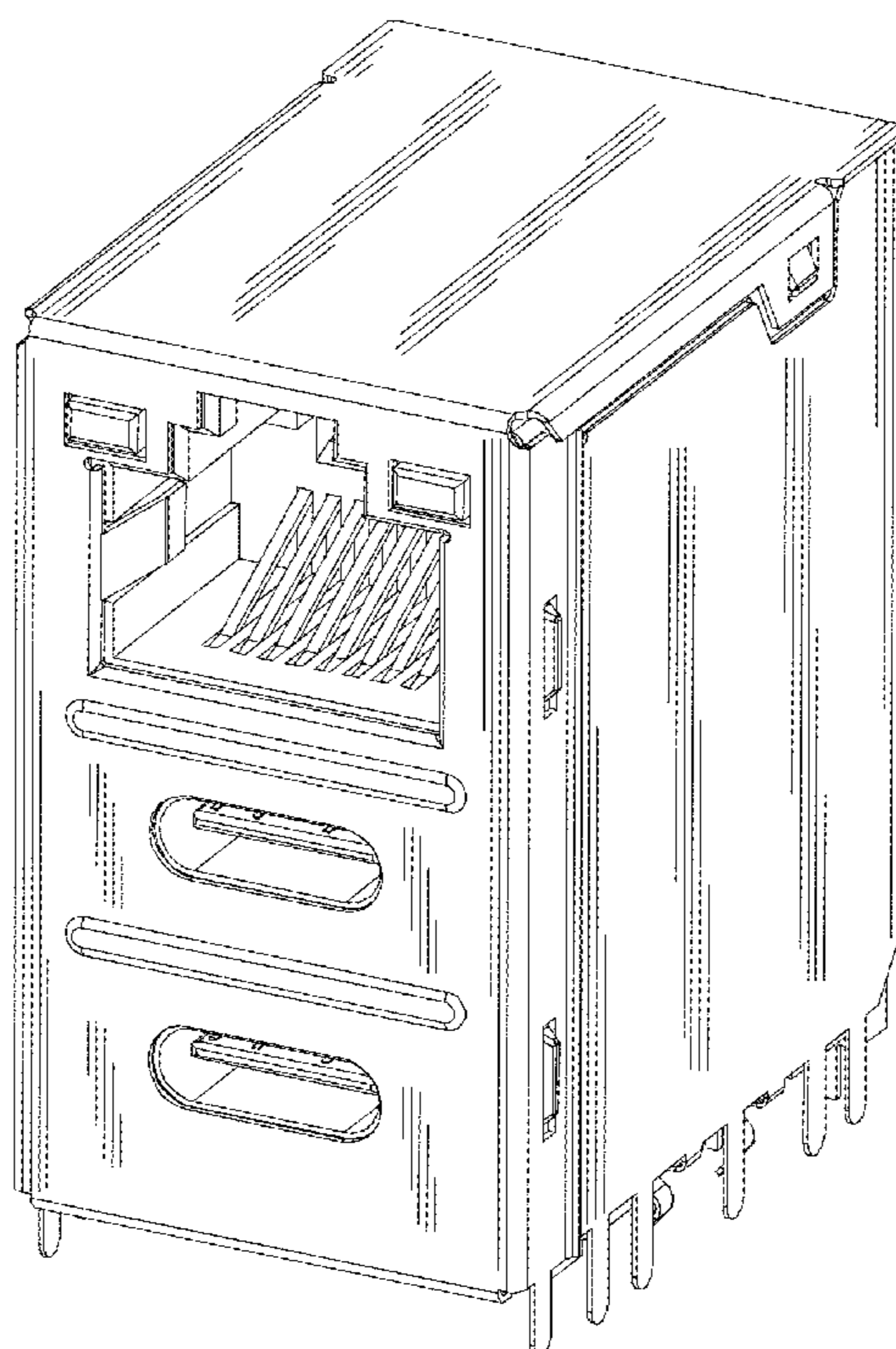
(51) **LOC (10) Cl.** **13-03**

(52) **U.S. Cl.**
USPC **D13/147**

(58) **Field of Classification Search**
USPC D13/110, 123, 133, 147, 154, 184, 199
CPC H01R 12/70; H01R 24/20; H01R 24/22;
H01R 24/62; H01R 13/648; H01R
13/652; H01R 13/6581; H01R 13/6582;

FIG. 1 is a perspective view of a stacked electrical connector
showing our new design;
FIG. 2 is a front elevational view thereof;
FIG. 3 is a rear elevational view thereof;
FIG. 4 is left side elevational view thereof;
FIG. 5 is a right side elevational view thereof;
FIG. 6 is a top plan view thereof; and,
FIG. 7 is a bottom plan view thereof.

1 Claim, 7 Drawing Sheets



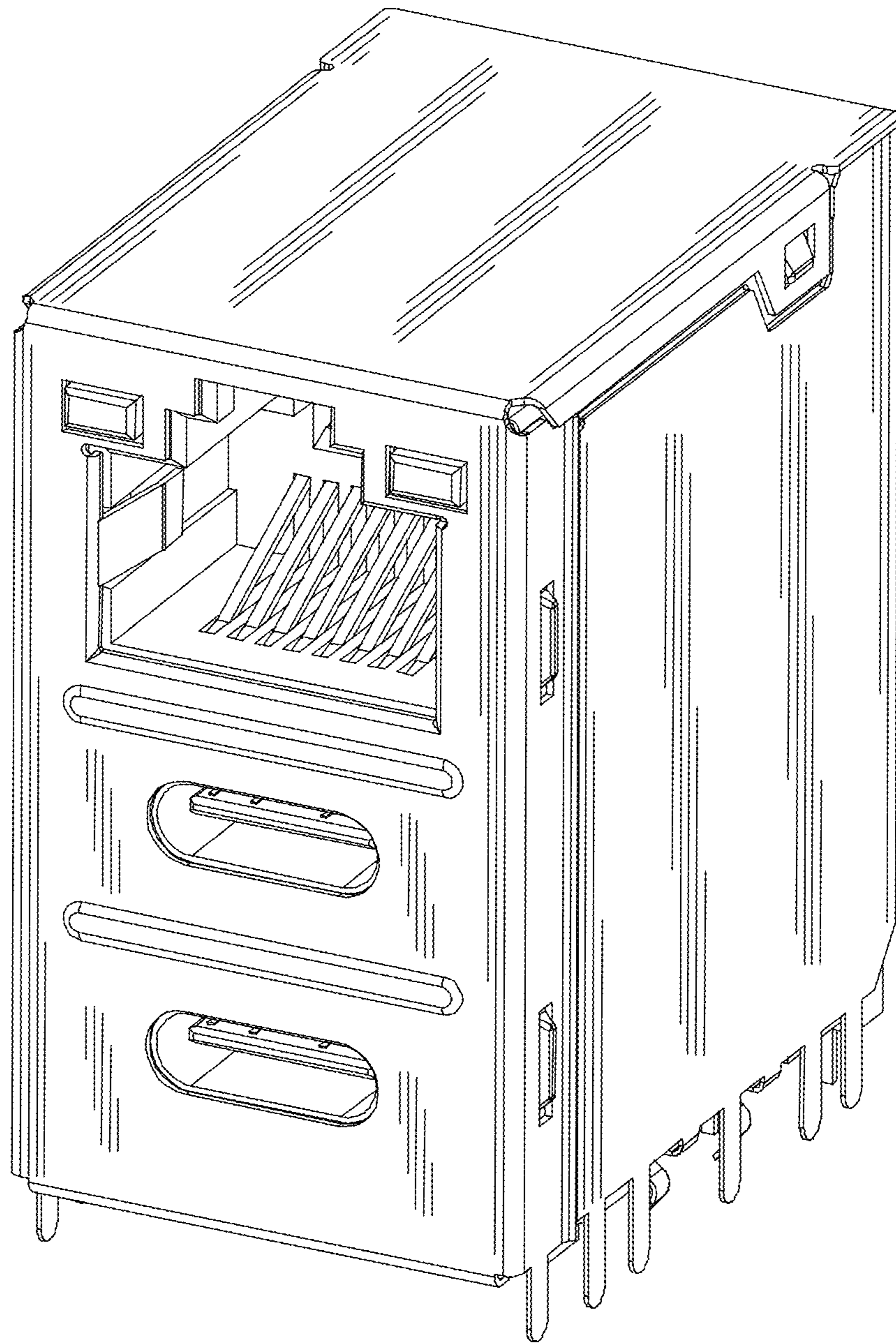


FIG. 1

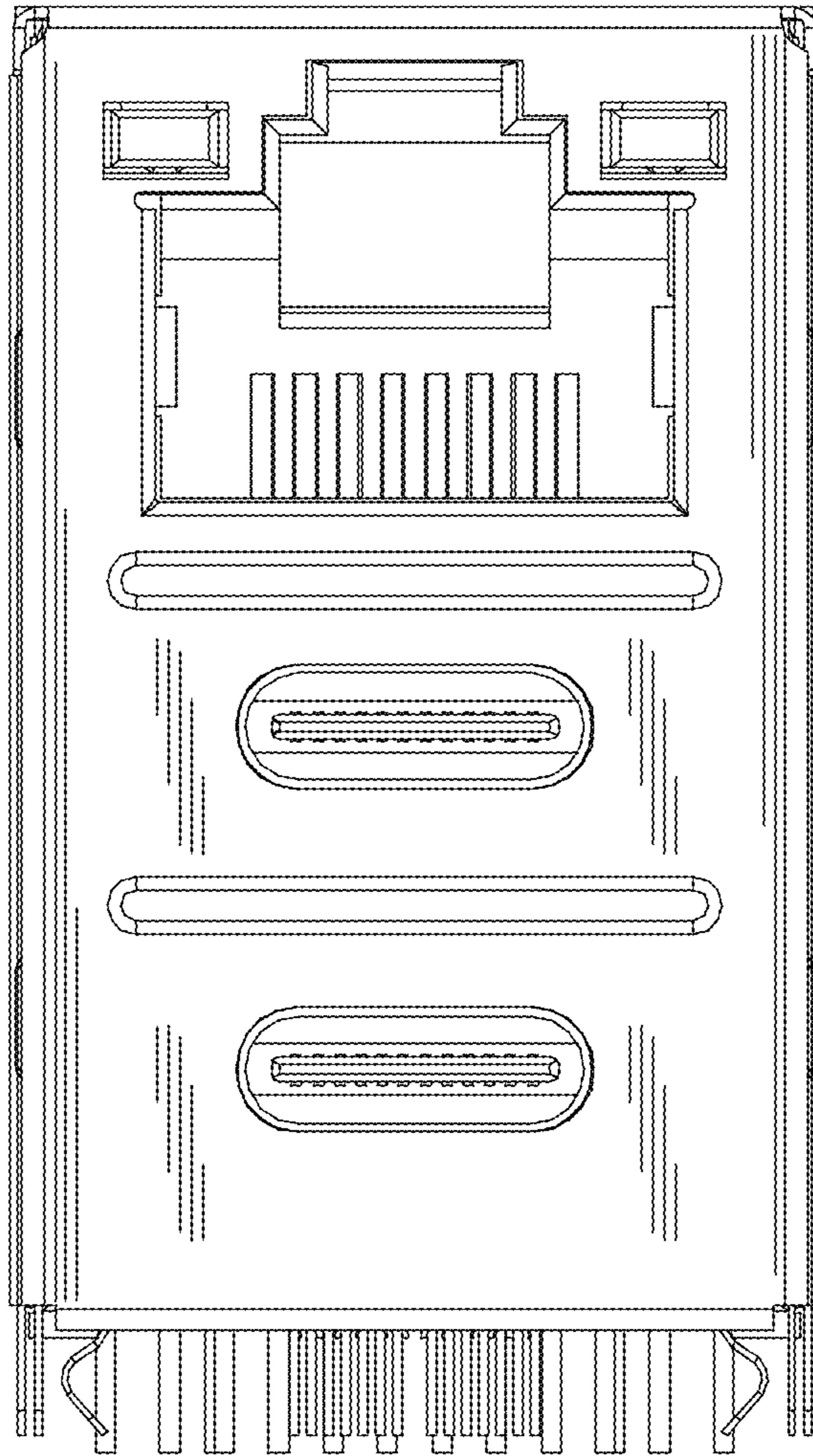


FIG. 2

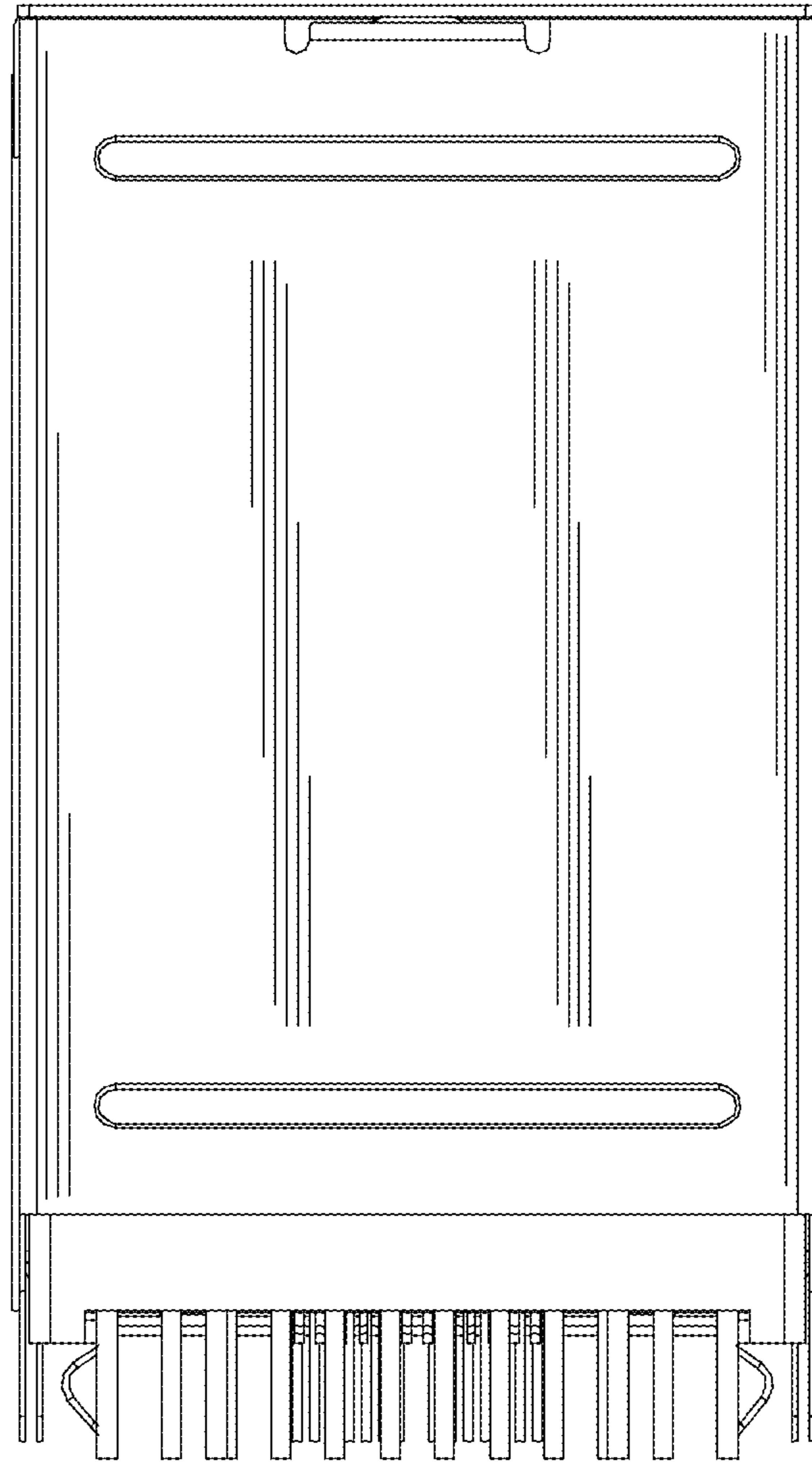


FIG. 3

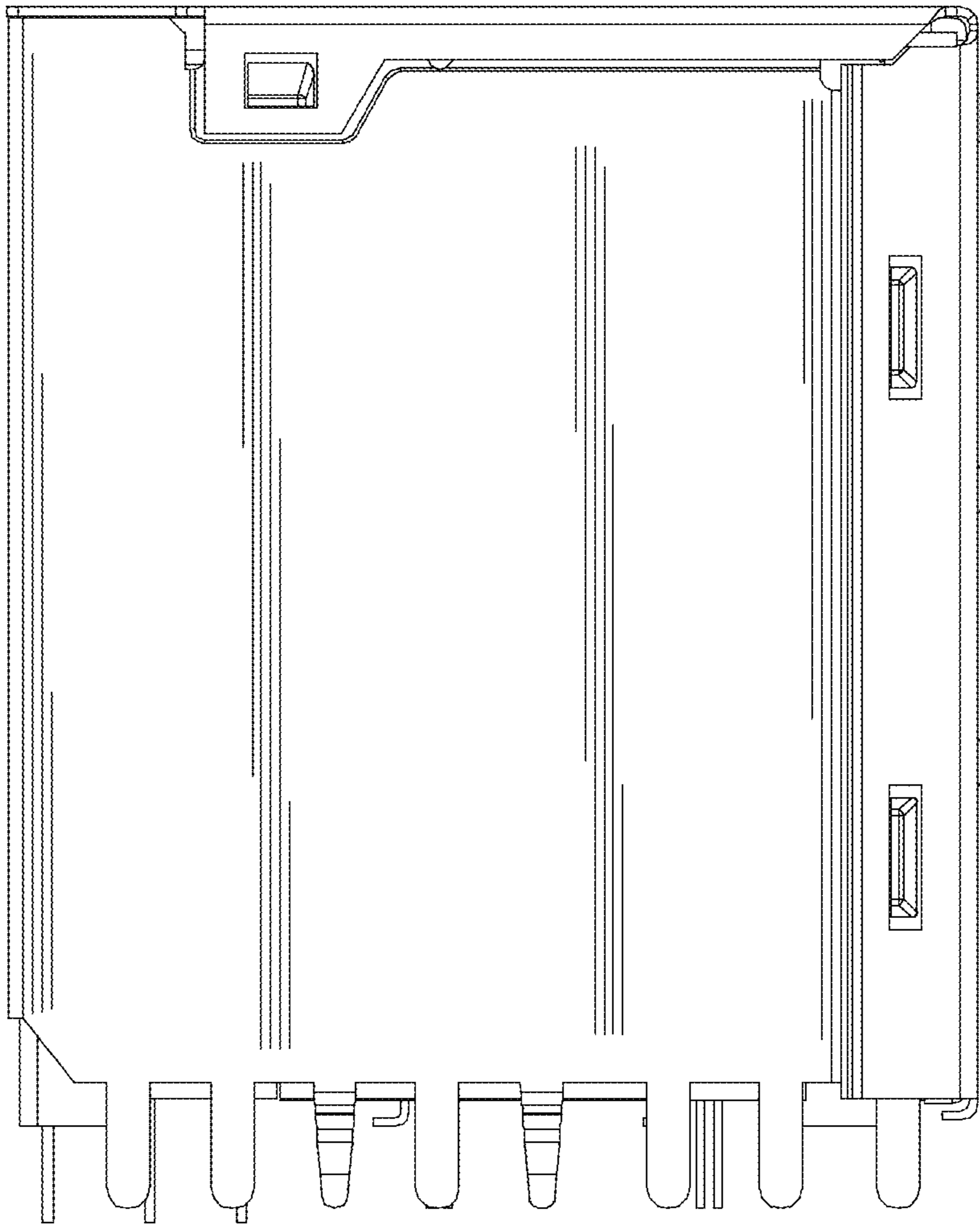


FIG. 4

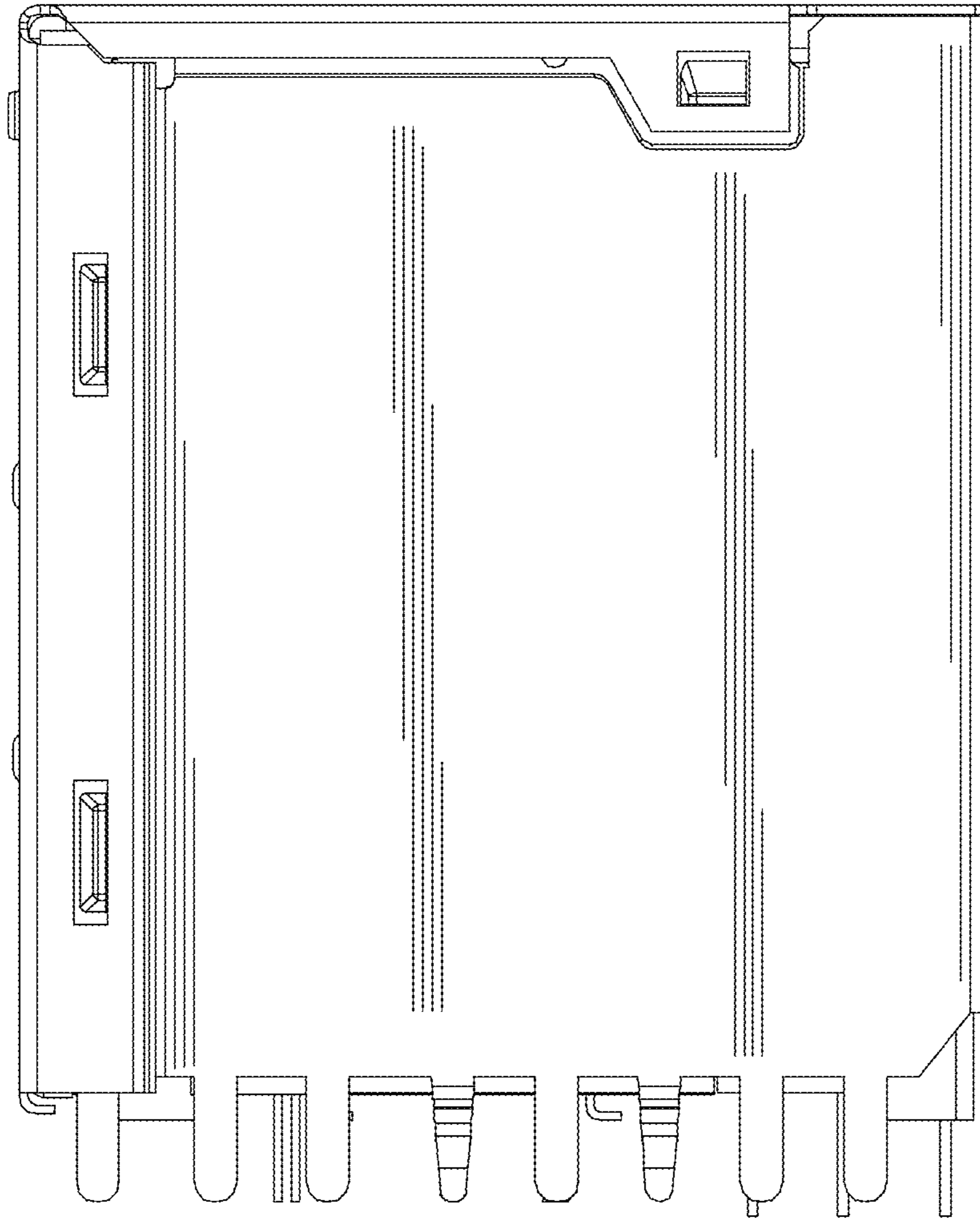


FIG. 5

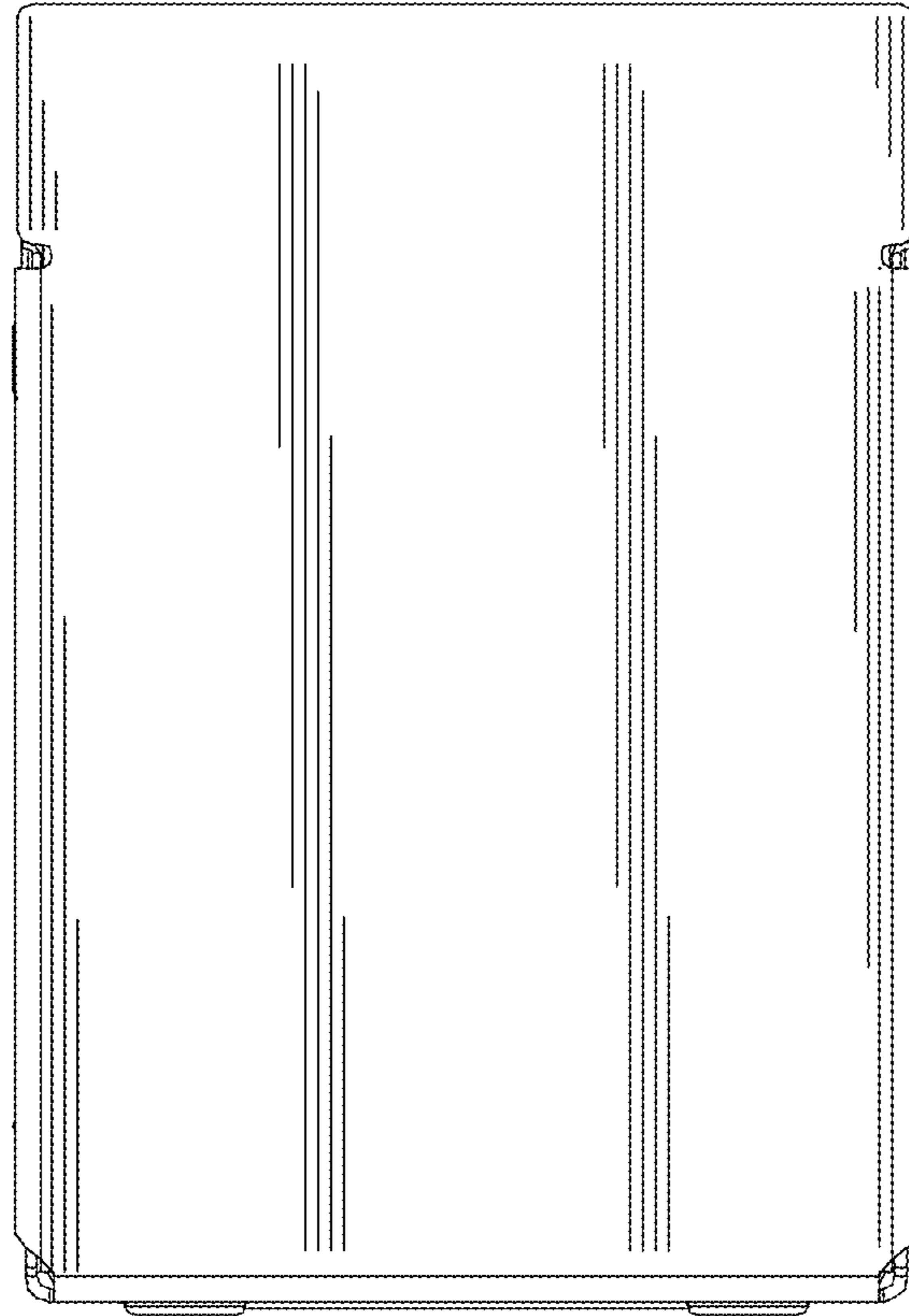


FIG. 6

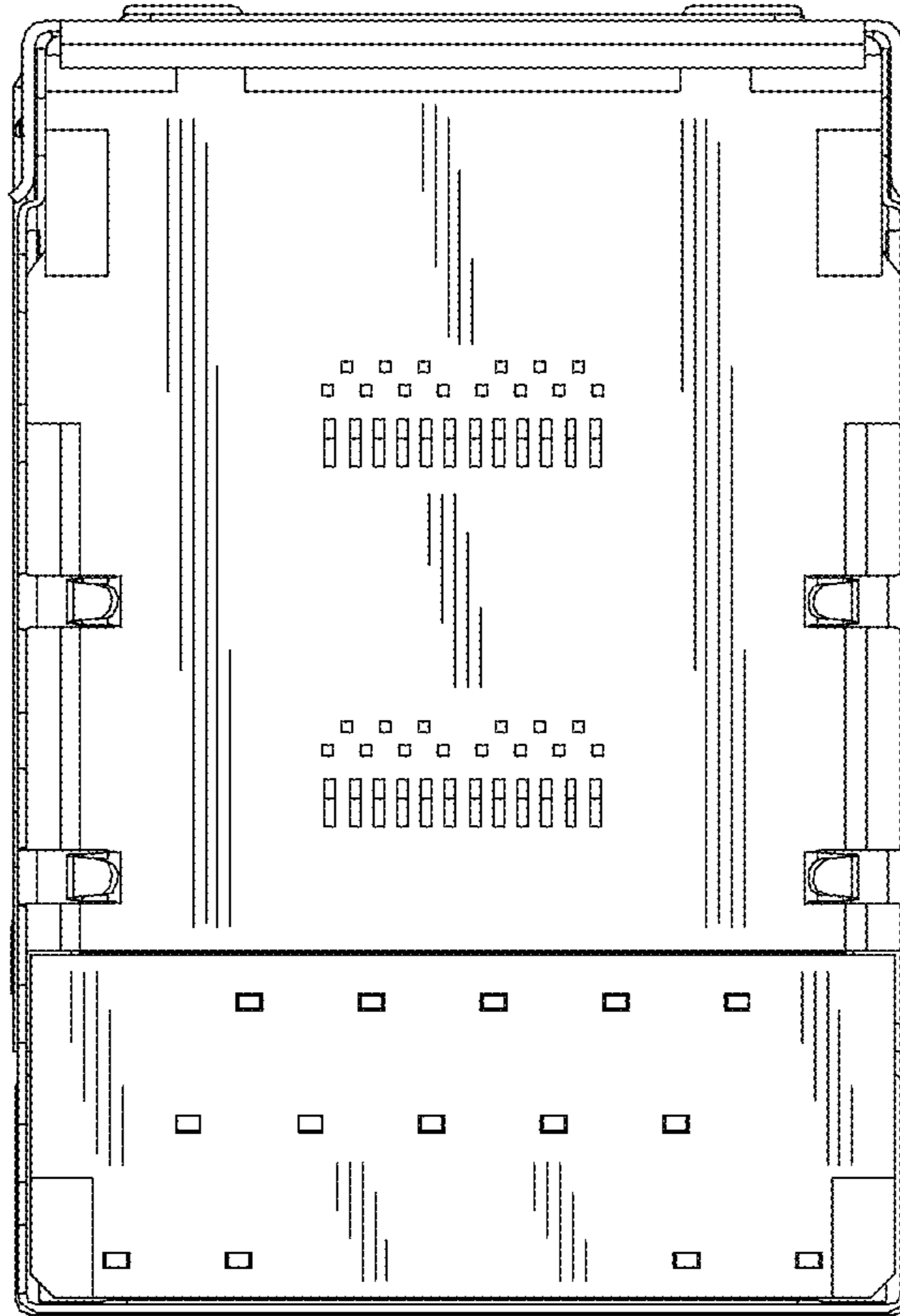


FIG. 7