



US00D784929S

(12) **United States Design Patent**
Makimura et al.

(10) **Patent No.:** **US D784,929 S**

(45) **Date of Patent:** **** Apr. 25, 2017**

(54) **ELECTRICAL CONNECTOR**

(71) Applicant: **SMK Corporation**, Tokyo (JP)

(72) Inventors: **Takanobu Makimura**, Toyama (JP);
Kohei Hayashi, Toyama (JP)

(73) Assignee: **SMK Corporation**, Tokyo (JP)

(**) Term: **15 Years**

(21) Appl. No.: **29/538,768**

(22) Filed: **Sep. 8, 2015**

(30) **Foreign Application Priority Data**

Mar. 17, 2015 (JP) 2015-5660

(51) **LOC (10) Cl.** **13-03**

(52) **U.S. Cl.**
USPC **D13/147**

(58) **Field of Classification Search**

USPC D13/110, 123, 133, 147, 154, 184, 199

CPC H01R 12/70; H01R 24/20; H01R 24/22;

H01R 24/62; H01R 13/648; H01R

13/652; H01R 13/6581; H01R 13/6582;

H01R 13/6583; H01R 13/6585; H01R

13/6586; H01R 13/6588

See application file for complete search history.

(56) **References Cited**

U.S. PATENT DOCUMENTS

D427,568 S * 7/2000 Ko D13/147

D543,149 S * 5/2007 Huang D13/147

D604,697 S * 11/2009 Sogo D13/133

D611,425 S * 3/2010 Aldridge D13/147

D616,826 S * 6/2010 Ebihara D13/147

D704,647 S * 5/2014 Grant D13/147

D716,738 S * 11/2014 York D13/147

FOREIGN PATENT DOCUMENTS

JP 1380070 S 2/2010

JP 1399905 S 10/2010

JP 1409397 S 3/2011

JP 1524666 S 6/2015

* cited by examiner

Primary Examiner — Daniel Bui

(74) *Attorney, Agent, or Firm* — Mark Malek; Widerman
Malek, PL

(57) **CLAIM**

The ornamental design for an electrical connector, as shown
and described.

DESCRIPTION

FIG. 1 is a front elevation view of an electrical connector
showing our new design;

FIG. 2 is a top plan view thereof;

FIG. 3 is a right side elevation view thereof;

FIG. 4 is a left side elevation view thereof;

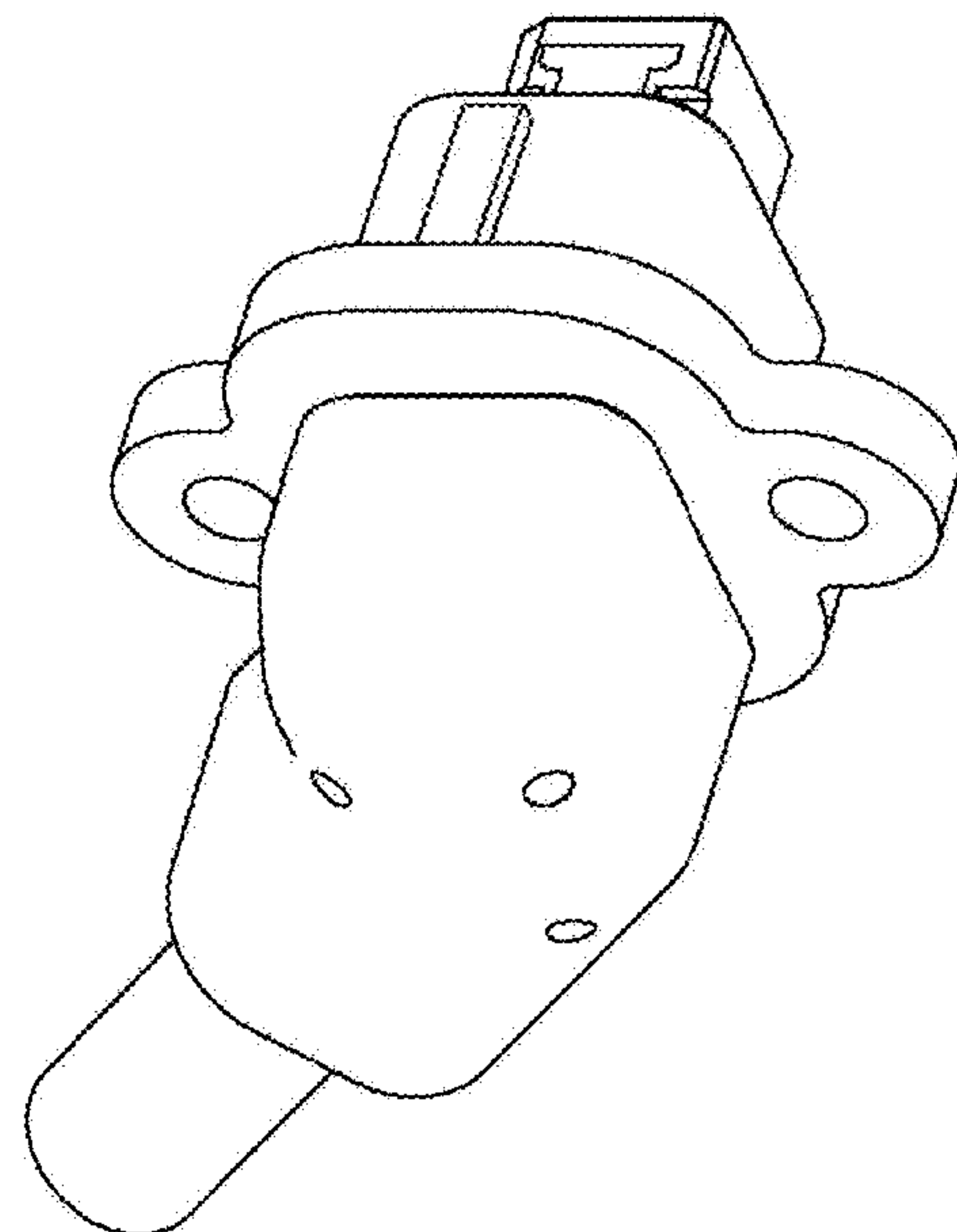
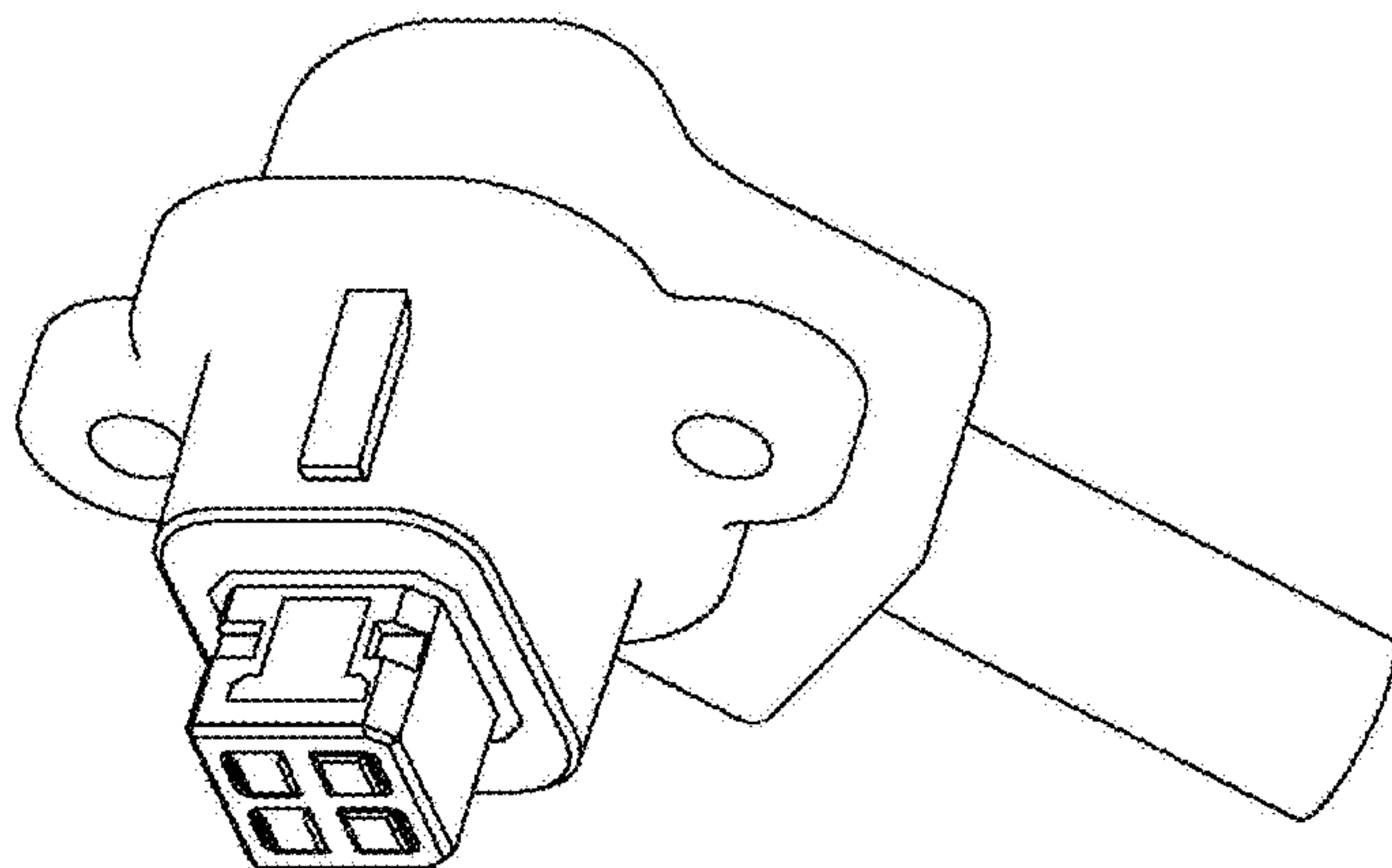
FIG. 5 is a rear elevation view thereof;

FIG. 6 is a bottom plan view thereof;

FIG. 7 is a front perspective view thereof; and,

FIG. 8 is a bottom perspective view thereof.

1 Claim, 8 Drawing Sheets



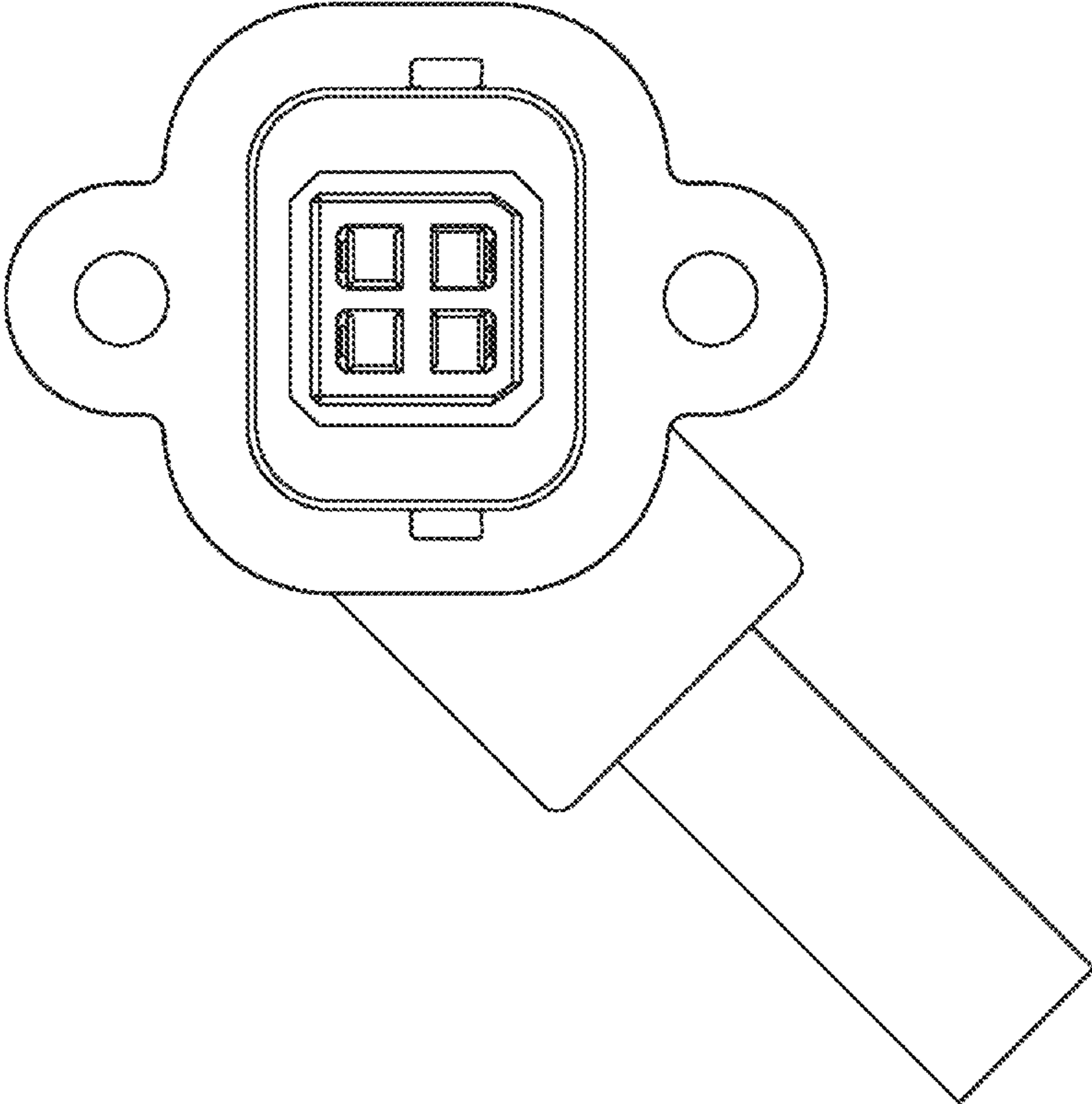


FIG. 1

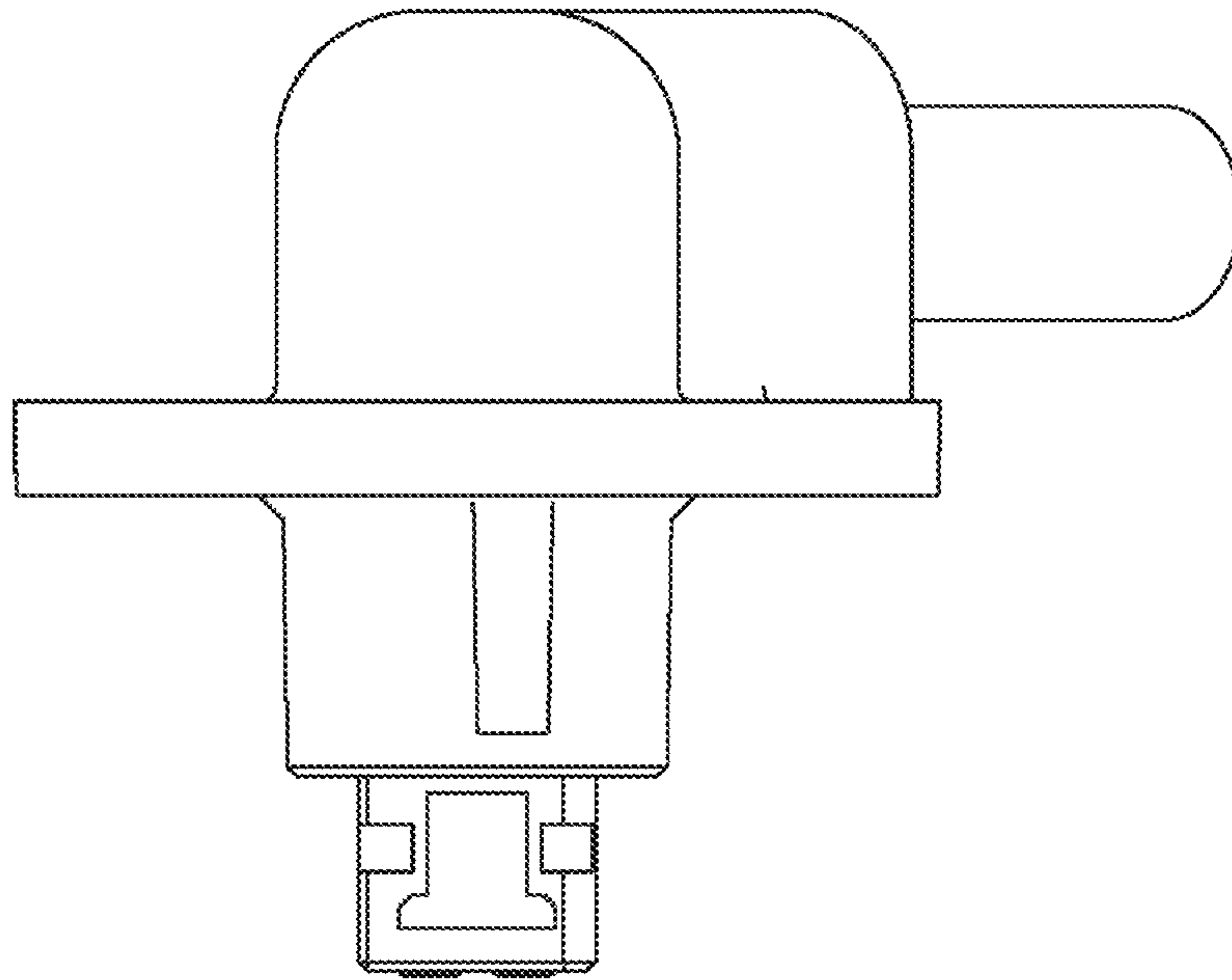


FIG. 2

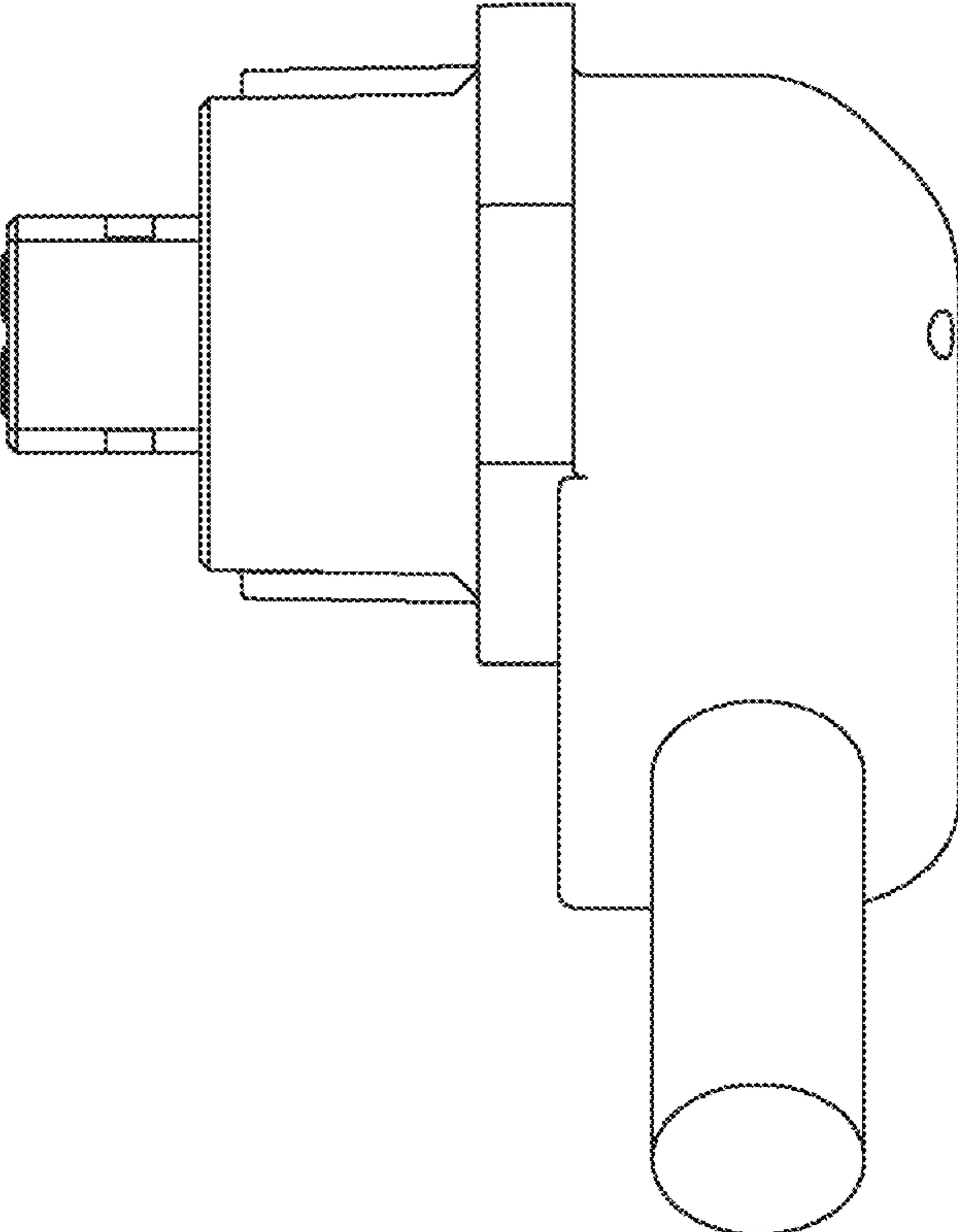


FIG. 3

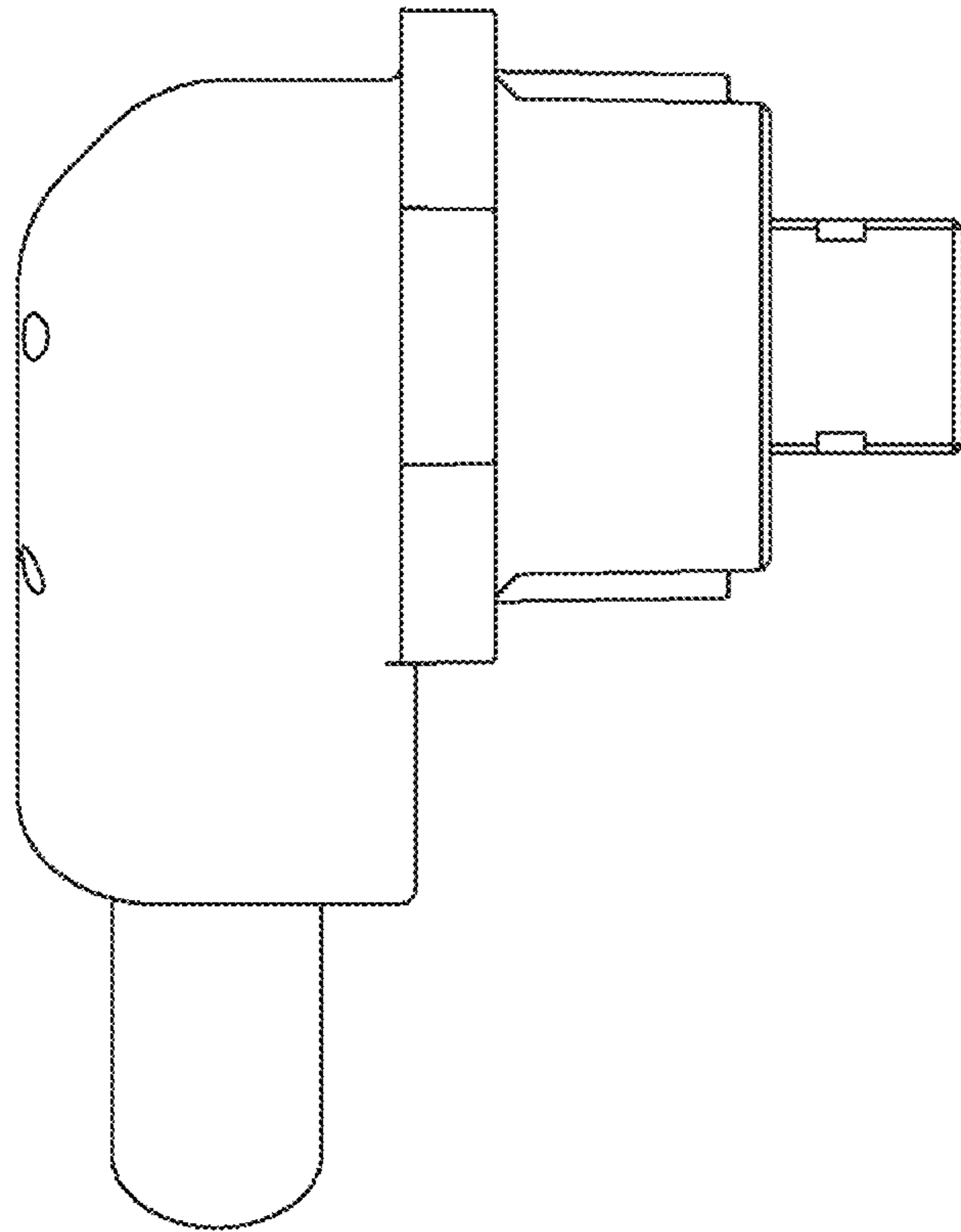


FIG. 4

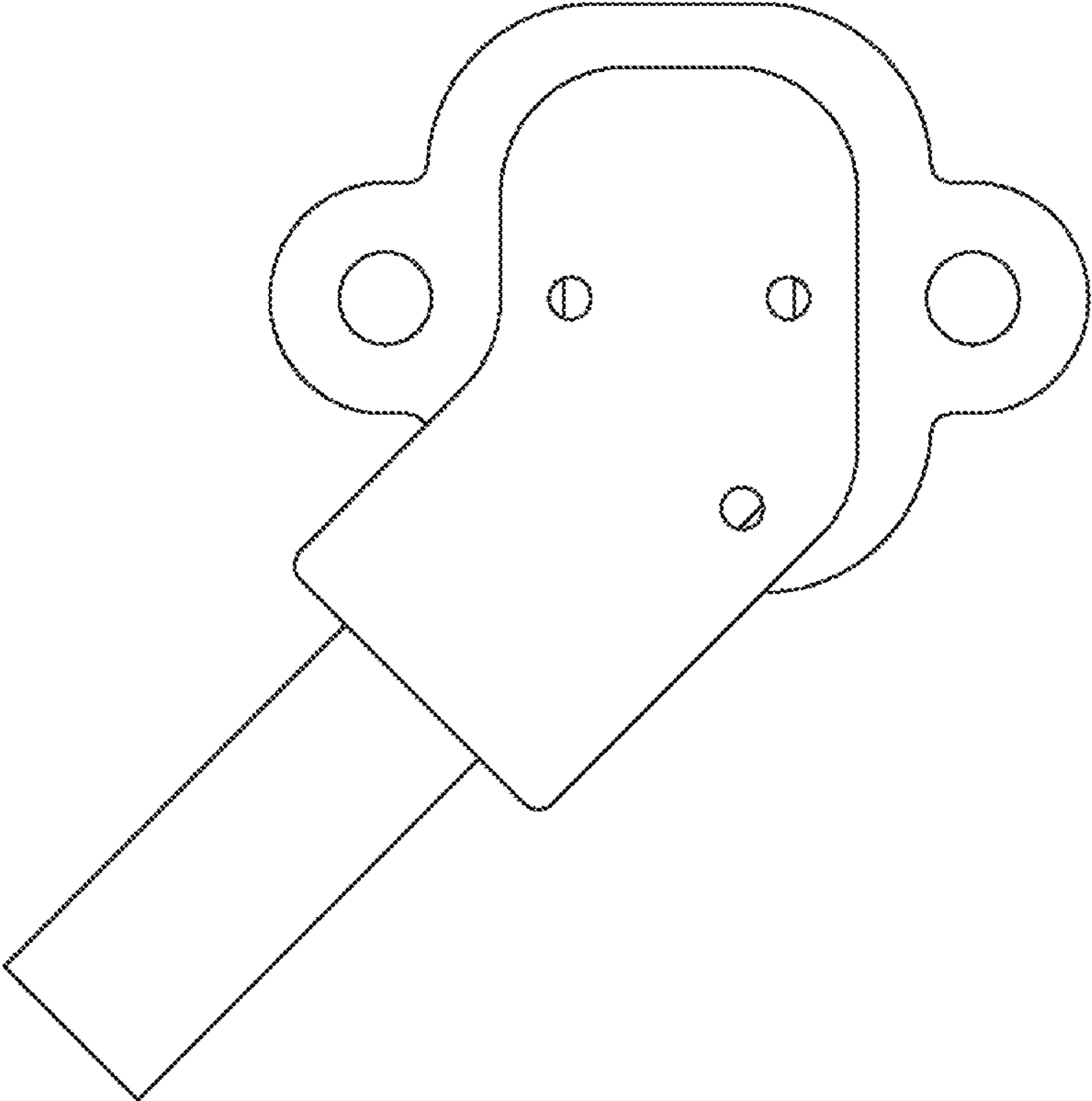


FIG. 5

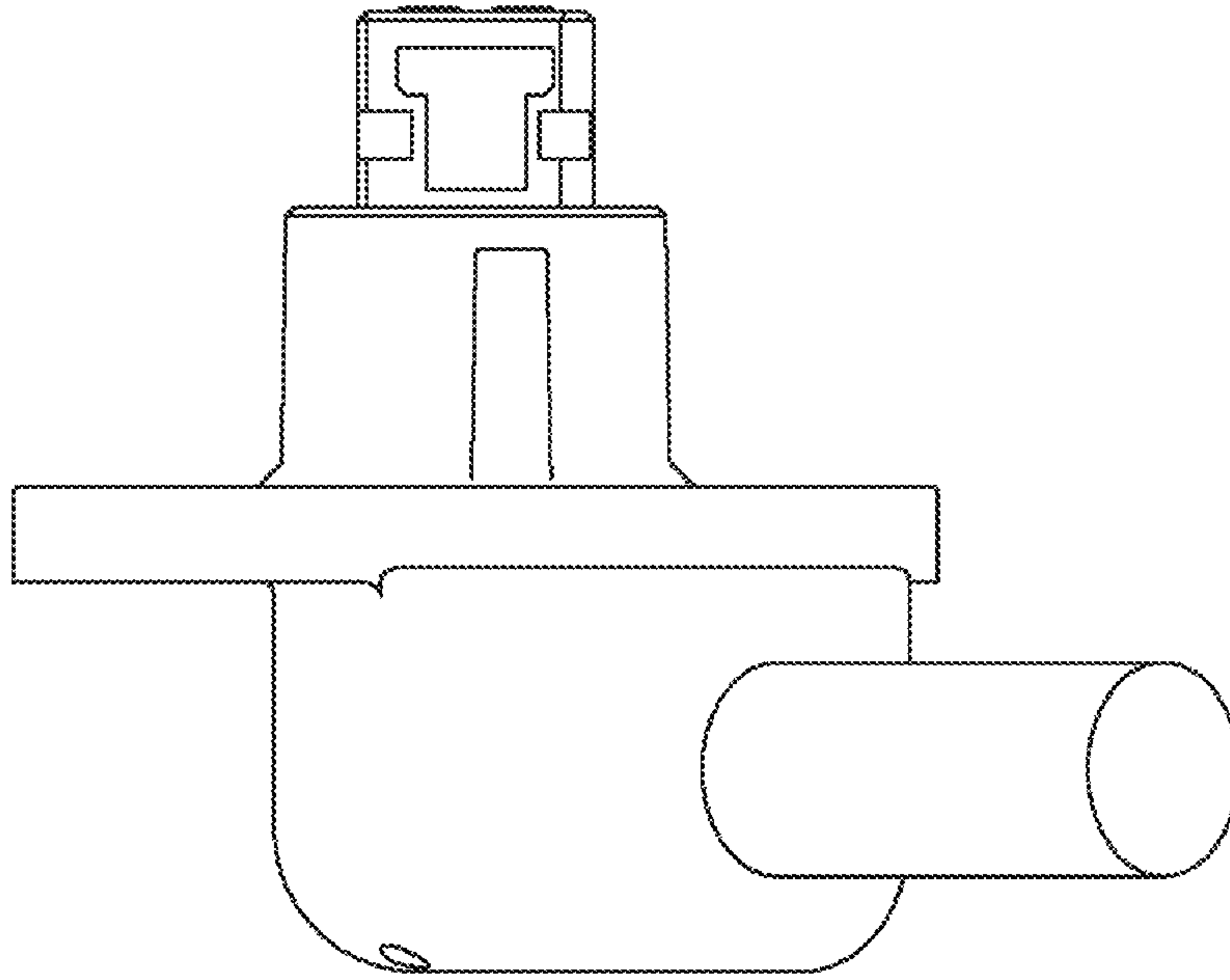


FIG. 6

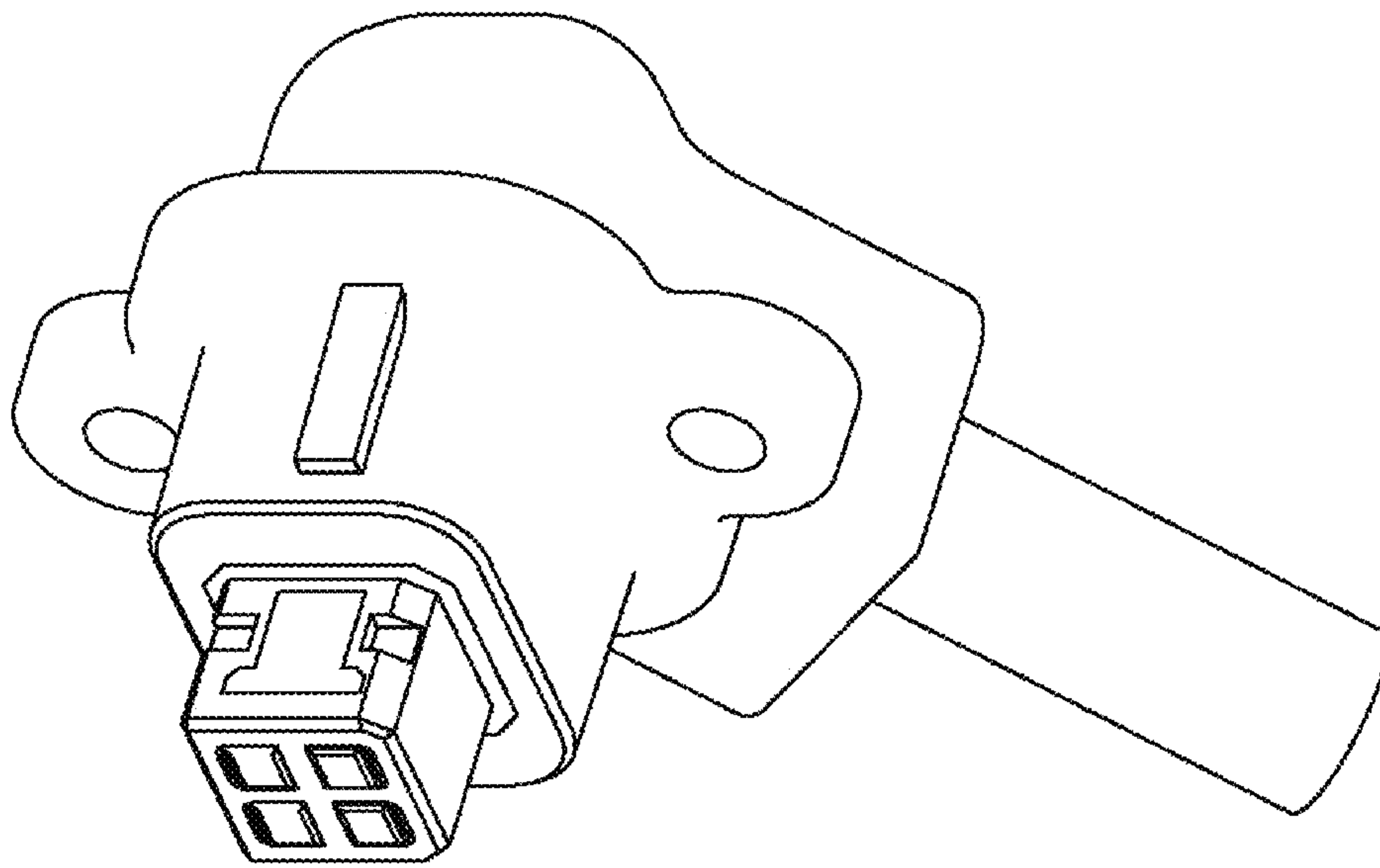


FIG. 7

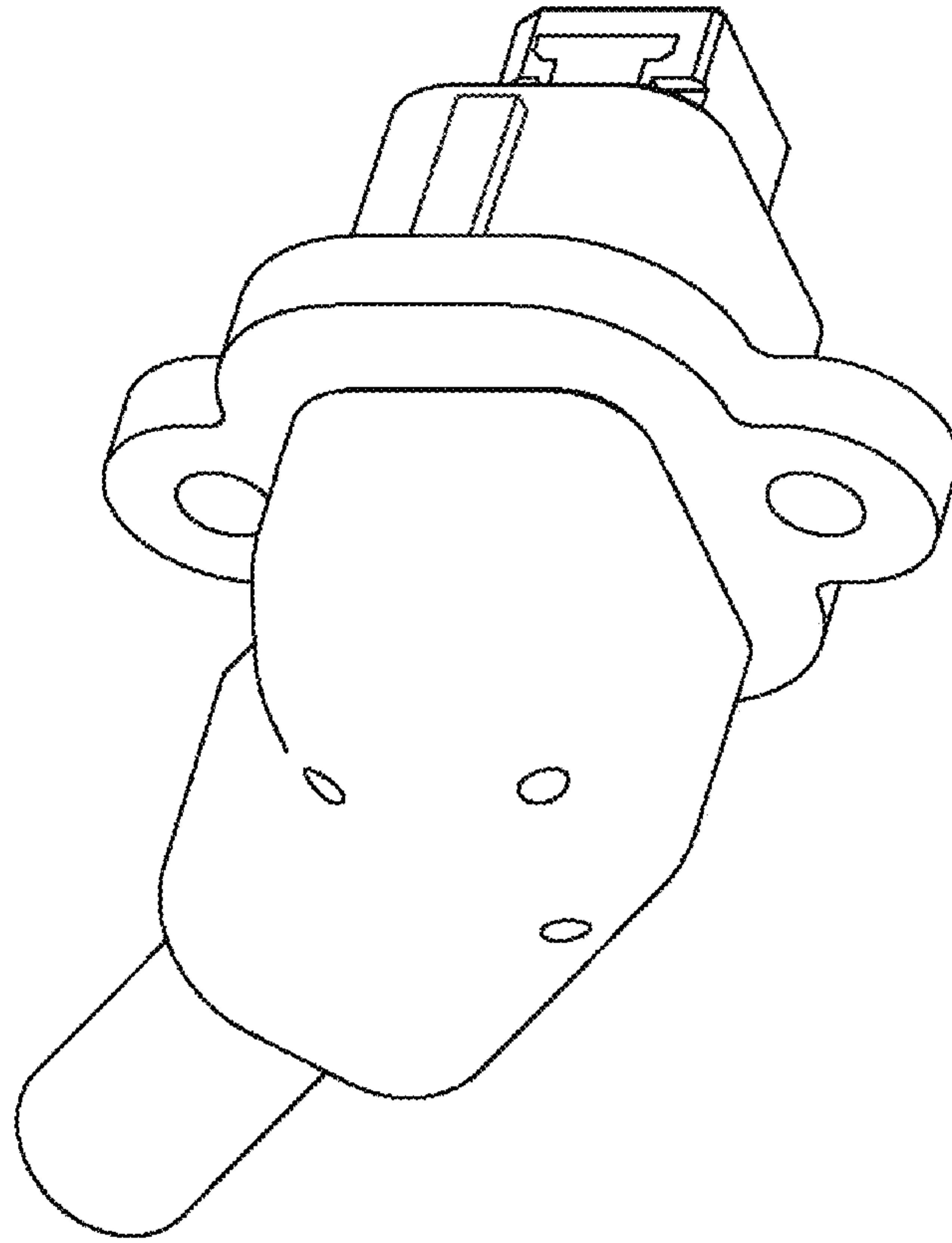


FIG. 8