



US00D784928S

(12) **United States Design Patent** (10) **Patent No.:** **US D784,928 S**
Armacost et al. (45) **Date of Patent:** **** Apr. 25, 2017**

(54) **ELECTRICAL CONNECTOR WITH DISTRIBUTED WIRE HARNESS**

D310,995 S * 10/1990 Yamamoto D13/147
 D314,181 S * 1/1991 Yagi D13/147
 D613,250 S * 4/2010 Barrios D13/147
 2014/0127931 A1 * 5/2014 Urashima H01R 13/506
 439/352

(71) Applicant: **Peterson Manufacturing Company**, Grandview, MO (US)

(72) Inventors: **David Shaw Armacost**, Leawood, KS (US); **Mark Anthony Pecaro**, Shawnee, KS (US)

(73) Assignee: **Peterson Manufacturing Company**, Grandview, MO (US)

(**) Term: **15 Years**

(21) Appl. No.: **29/535,159**

(22) Filed: **Aug. 4, 2015**

(51) **LOC (10) Cl.** **13-03**

(52) **U.S. Cl.**
USPC **D13/146**

(58) **Field of Classification Search**
 USPC D13/133, 146, 147, 154, 184, 199;
 D14/432, 433, 435, 435.1, 436, 437, 438
 CPC H01R 13/24; H01R 13/26; H01R 13/28;
 H01R 13/506; H01R 13/508; H01R
 13/523; H01R 13/6271; H01R 13/639;
 H01R 13/642; H01R 13/659; H01R
 13/6586; H01R 13/6587; H01R 13/6595;
 H01R 13/6658

See application file for complete search history.

(56) **References Cited**

U.S. PATENT DOCUMENTS

D251,906 S * 5/1979 Frantz D13/147
 4,746,306 A * 5/1988 Yurtin H01R 13/641
 439/352

* cited by examiner

Primary Examiner — Daniel Bui

(74) *Attorney, Agent, or Firm* — Polsinelli PC; Adam C. Rehm

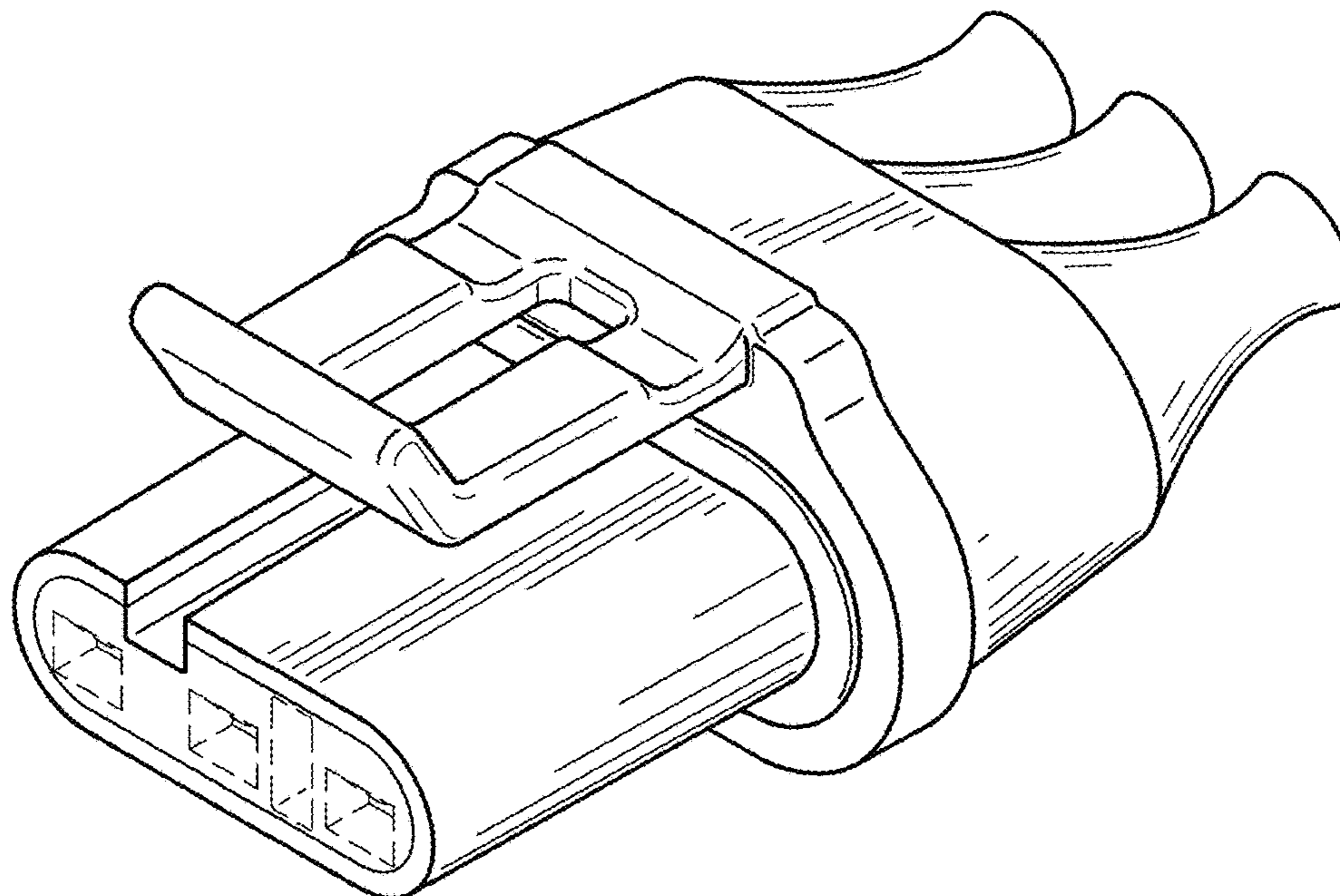
(57) **CLAIM**

The ornamental design for an electrical connector with distributed wire harness, as shown and described.

DESCRIPTION

FIG. 1 is a front and left side perspective view of an electrical connector with distributed wire harness showing a new design;
 FIG. 2 is a top plan view thereof;
 FIG. 3 is a bottom plan view thereof;
 FIG. 4 is a right side elevation view thereof, the left side elevation view being a mirror image of FIG. 4;
 FIG. 5 is a front elevation view thereof; and,
 FIG. 6 is a rear elevation view thereof.
 The broken line in the figure drawings is included to show unclaimed subject matter only and forms no part of the claimed design.

1 Claim, 3 Drawing Sheets



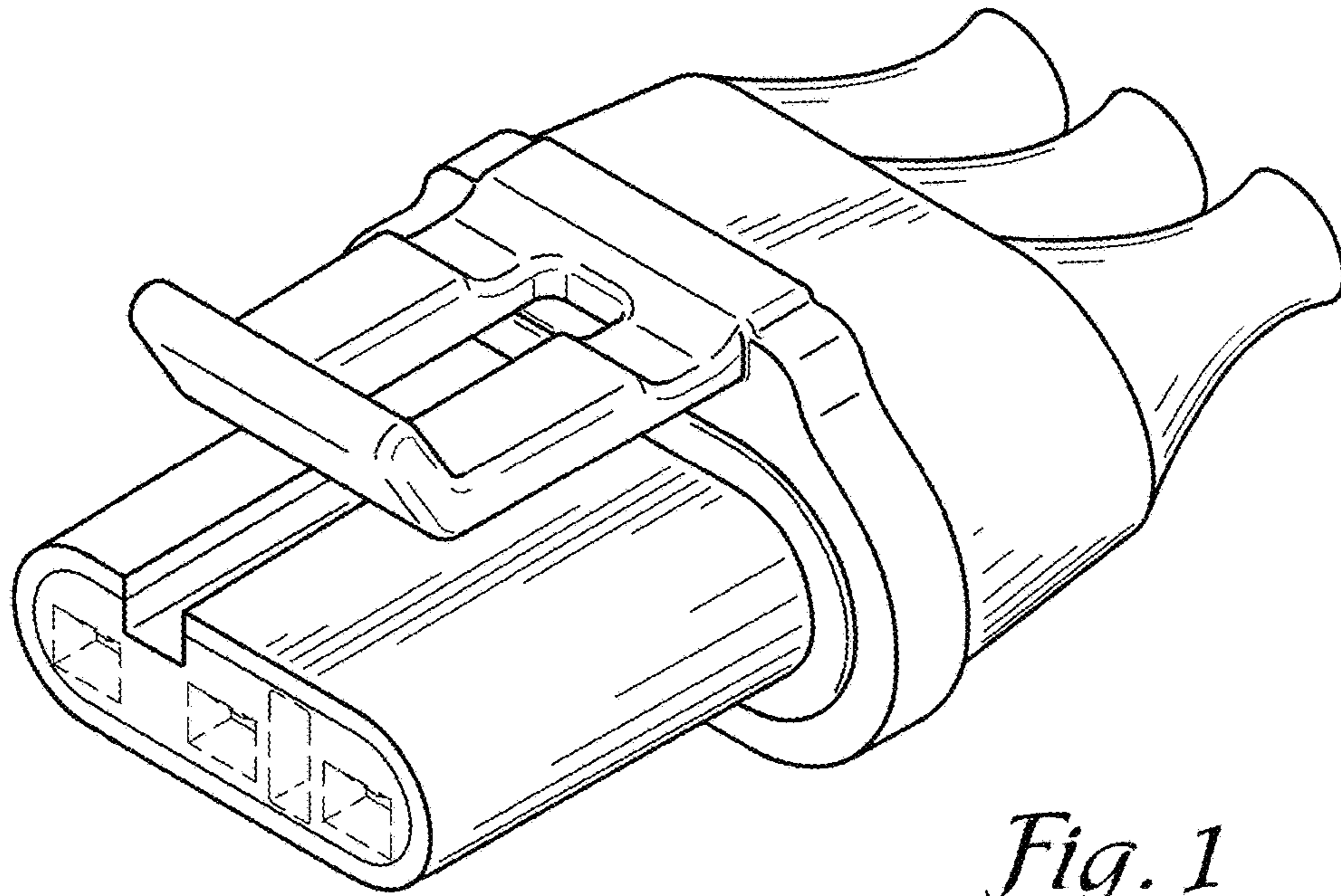


Fig. 1

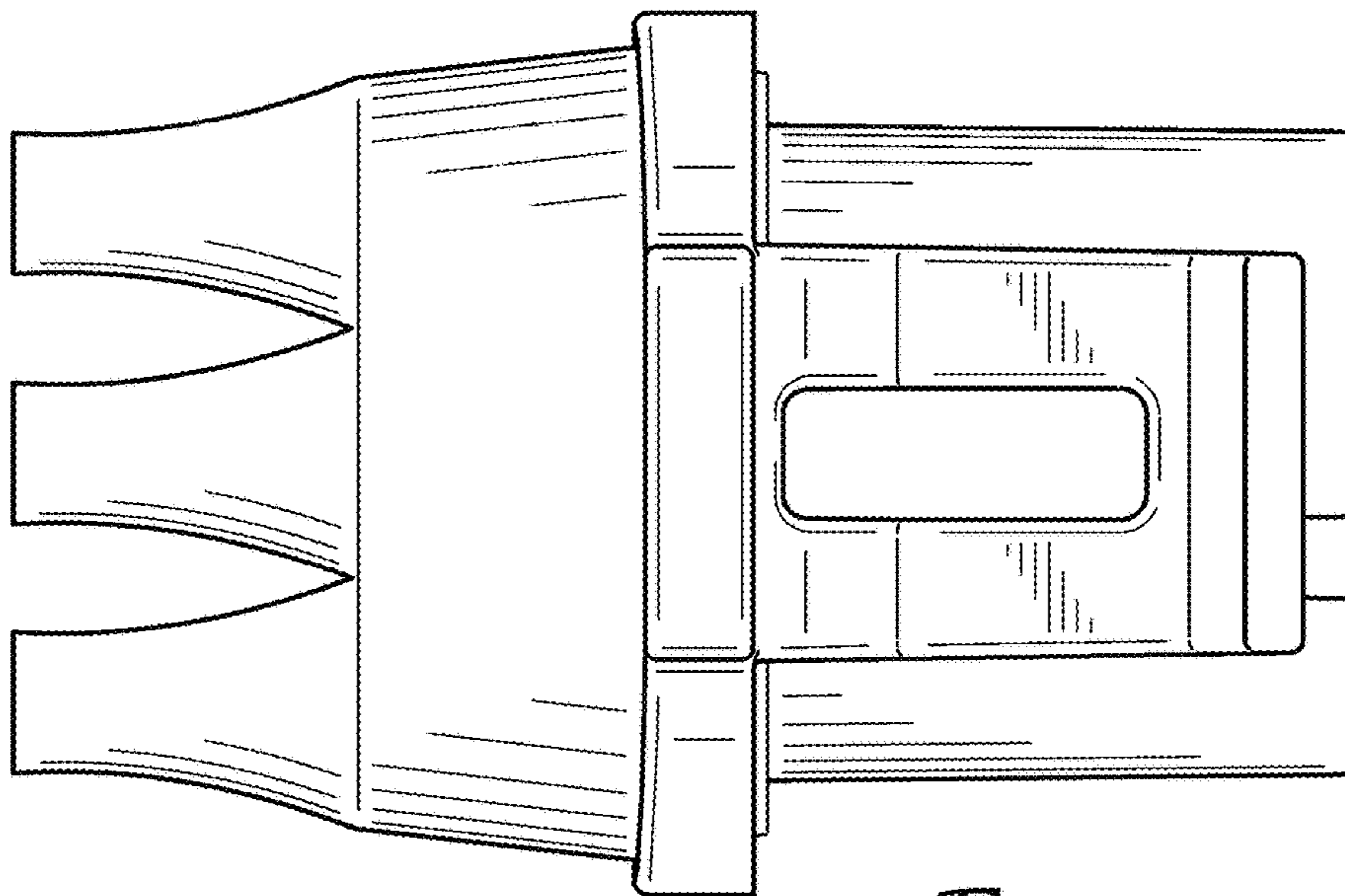


Fig. 2

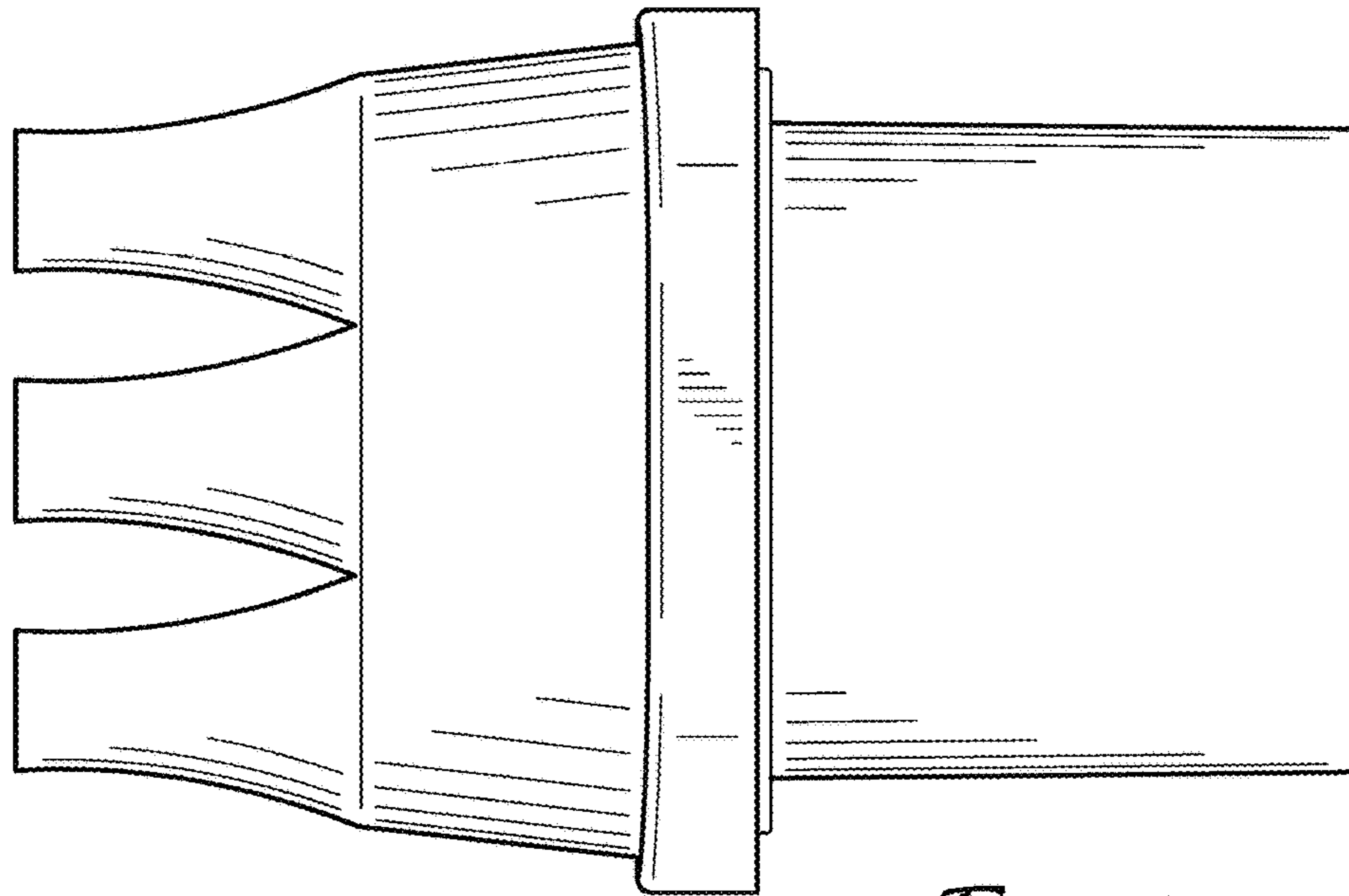


Fig. 3

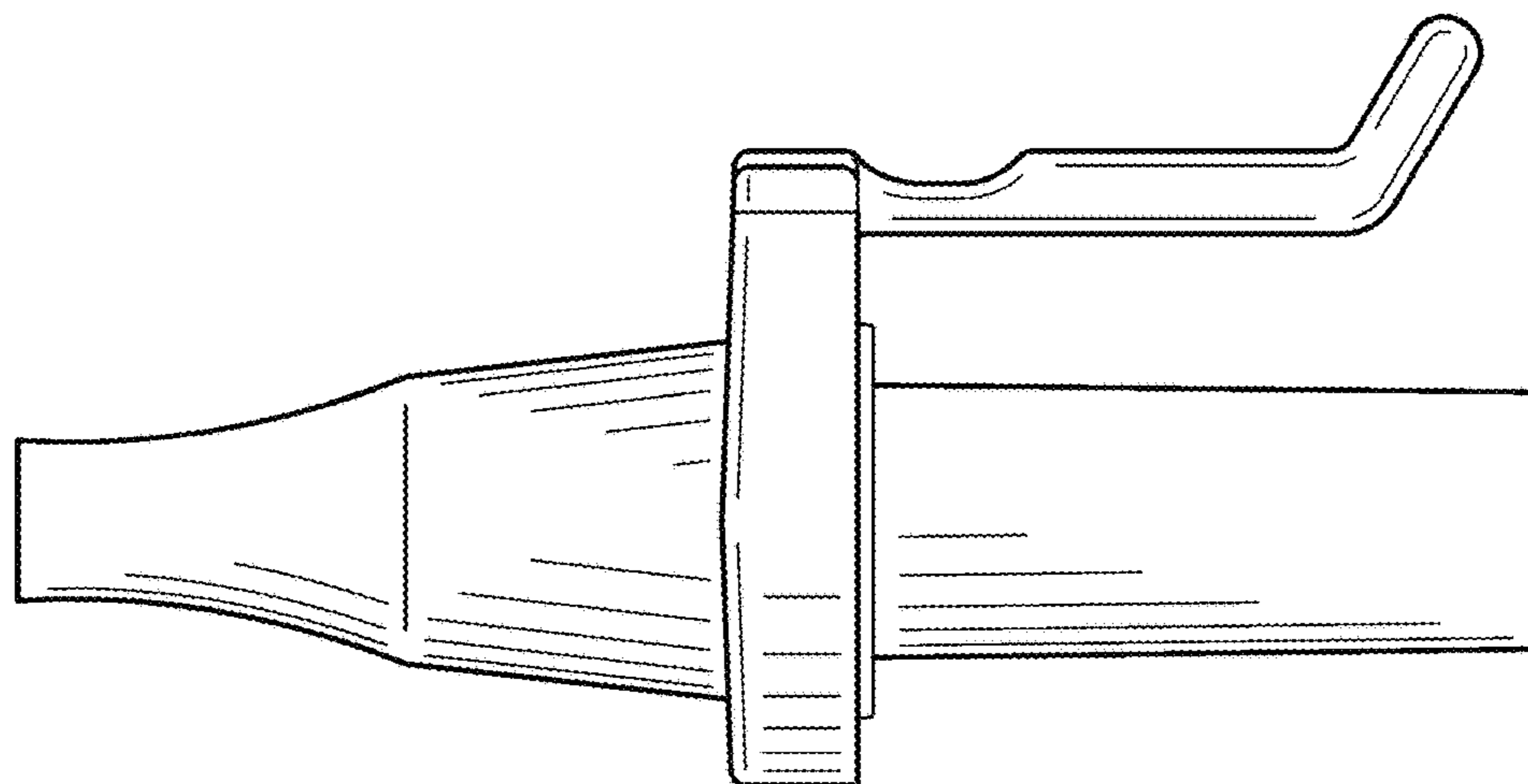


Fig. 4

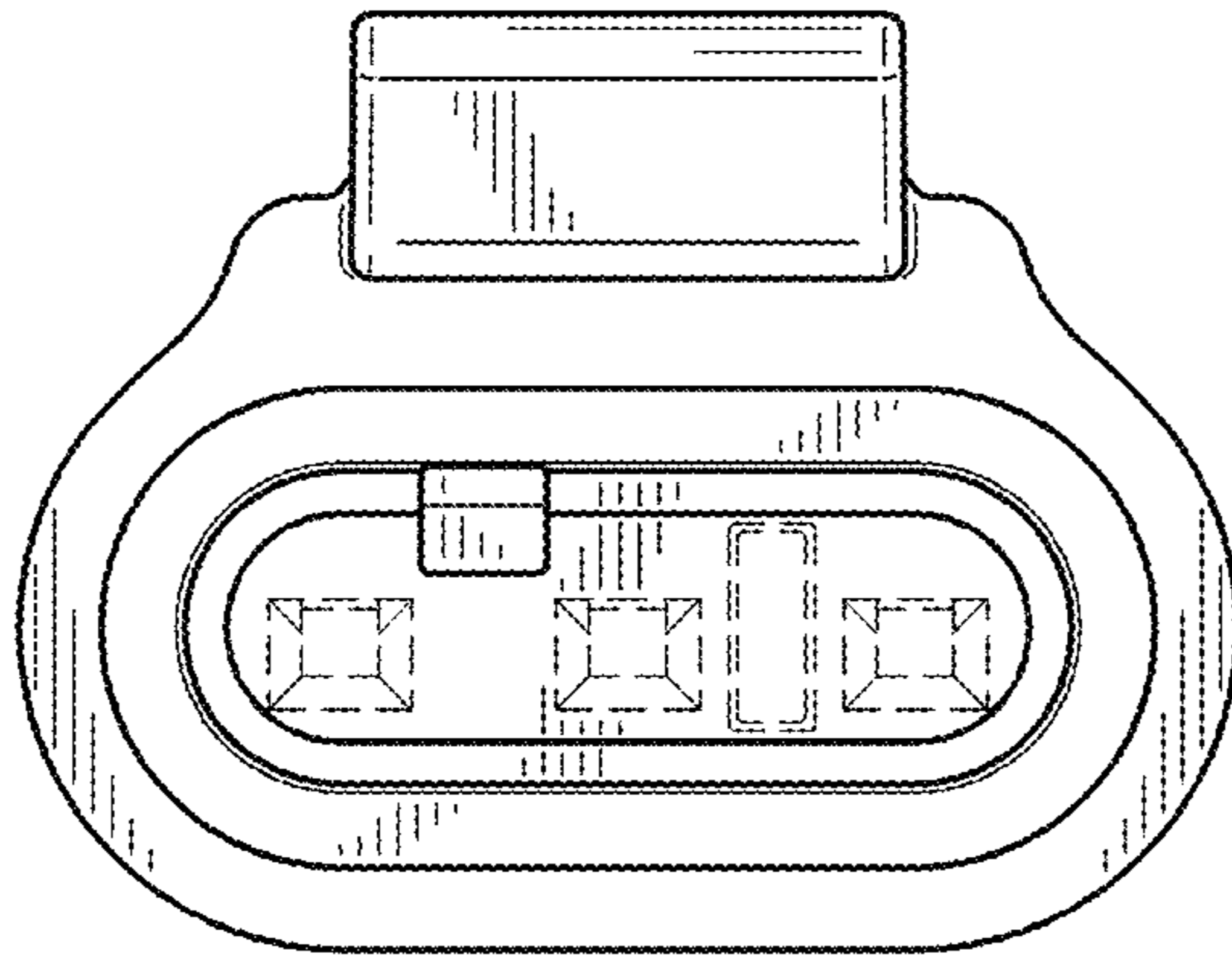


Fig. 5

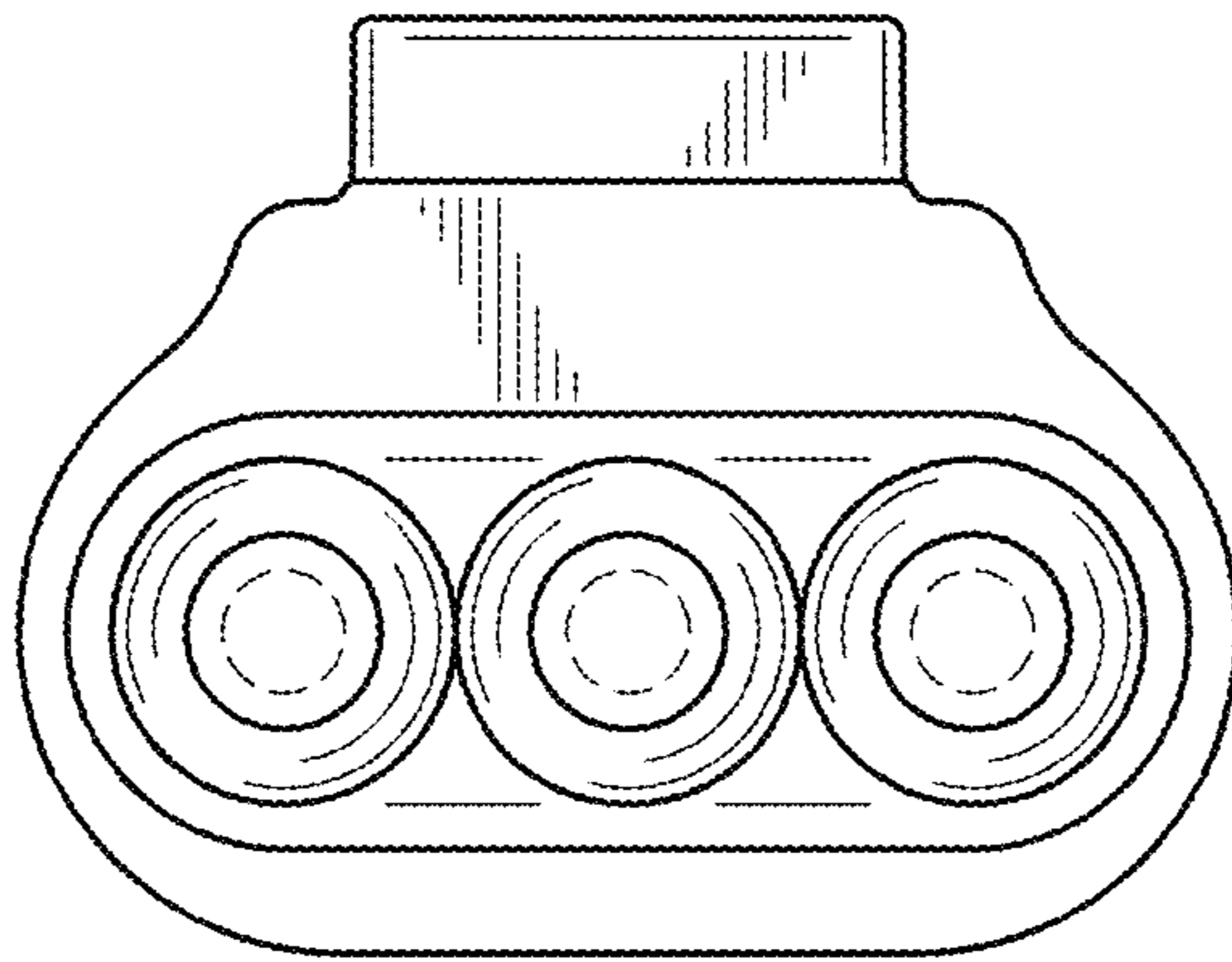


Fig. 6