



US00D784926S

(12) **United States Design Patent** (10) **Patent No.:** **US D784,926 S**
Rowe et al. (45) **Date of Patent:** **** Apr. 25, 2017**

(54) **BATTERY PACK CARRIAGE ASSEMBLY**

OTHER PUBLICATIONS

(71) Applicant: **TECHTRONIC INDUSTRIES CO. LTD.**, Tsuen Wan, New Territories (HK)

“IDX Increases Support for 7.2V 7.4V Battery Users.” Posted Oct. 27, 2015. Kit Plus. http://www.kitplus.com/news/IDX_increases_support_for_7_2V_7_4V_Battery_Users/12762.html.

(72) Inventors: **Tyler Rowe**, Anderson, SC (US); **Stuart Miller**, Anderson, SC (US); **J. Luke Jenkins**, Anderson, SC (US); **Matthew Corbin**, Anderson, SC (US); **Nicholas Norton**, Lexington, SC (US); **Sean Campbell**, Anderson, SC (US); **Daniel J. Bowen**, Aiken, SC (US); **C. Keith Long**, Seneca, SC (US)

(Continued)

Primary Examiner — Manpreet Matharu
Assistant Examiner — Suzanne Tisdell
(74) *Attorney, Agent, or Firm* — Michael Best & Friedrich LLP

(73) Assignee: **TECHTRONIC INDUSTRIES CO. LTD.**, Tsuen Wan, New Territories (HK)

(57) **CLAIM**

The ornamental design for a battery pack carriage assembly, as shown and described.

(**) Term: **15 Years**

(21) Appl. No.: **29/561,257**

DESCRIPTION

(22) Filed: **Apr. 14, 2016**

Related U.S. Application Data

(62) Division of application No. 29/504,030, filed on Oct. 1, 2014, now Pat. No. Des. 764,402.

(51) **LOC (10) Cl.** **13-02**

(52) **U.S. Cl.**
USPC **D13/119**

(58) **Field of Classification Search**
USPC 307/82, 109, 150, 151; 320/104, 107, 320/111, 112, 113, 115, 132, 134, 150;
(Continued)

FIG. 1 is a rear perspective view of a second construction of a battery pack carriage assembly.

FIG. 2 is a front view of the battery pack carriage assembly of FIG. 1.

FIG. 3 is a rear view of the battery pack carriage assembly of FIG. 1.

FIG. 4 is a left side view of the battery pack carriage assembly of FIG. 1.

FIG. 5 is a right side view of the battery pack carriage assembly of FIG. 1.

FIG. 6 is a top view of the battery pack carriage assembly of FIG. 1; and,

FIG. 7 is a bottom view of the battery pack carriage assembly of FIG. 1.

The ornamental design which is claimed is shown in solid lines in the drawings. The portions of the design shown in broken lines are included for the purpose of illustrating environment and form no part of the claimed design.

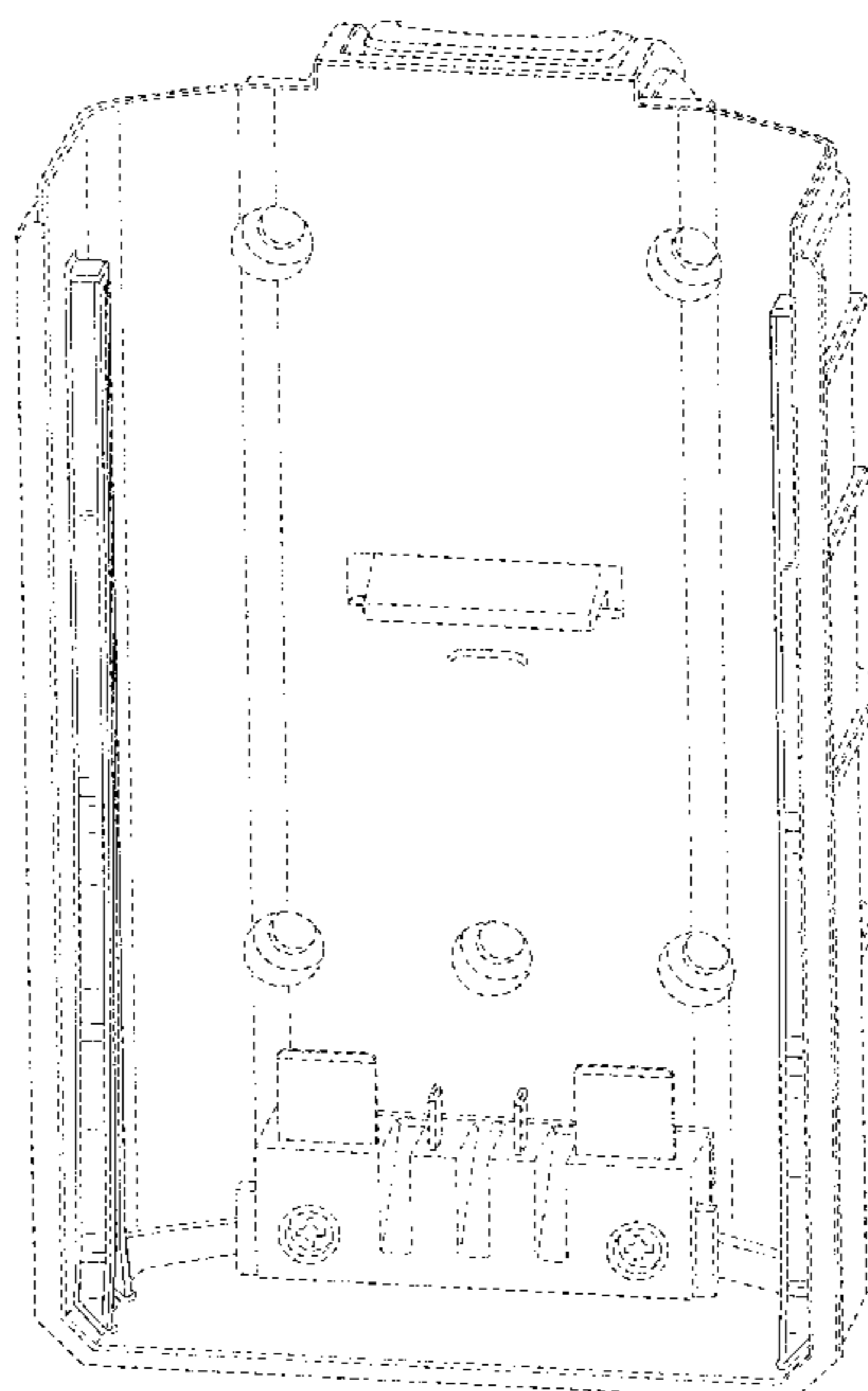
(56) **References Cited**

U.S. PATENT DOCUMENTS

D229,663 S 12/1973 Morita
D345,235 S * 3/1994 Lewis D32/53

(Continued)

1 Claim, 7 Drawing Sheets



(58) **Field of Classification Search**

USPC 361/600, 601, 623; 429/163, 170, 176;
 D13/104, 105, 106, 107, 108, 119, 184,
 D13/199; D14/188, 240, 435; D15/9,
 D15/14, 15, 31, 81, 90, 123, 135, 136;
 D16/237; D23/202, 211.1, 212, 260, 267,
 D23/333, 356, 357, 361, 385; D32/37,
 D32/45, 53, 53.1, 55, 56, 74
 CPC B60L 11/18; G01R 31/36; H01M 10/04;
 H01M 10/05; H01M 2/02; H01M 2/10;
 H01M 2/16; H01M 4/36; H01M 4/62;
 H01M 4/66; H02J 7/00; H02J 7/02; H02J
 7/04

See application file for complete search history.

(56) **References Cited**

U.S. PATENT DOCUMENTS

D351,705 S 10/1994 Bird et al.
 D395,492 S 6/1998 Phillips et al.
 D442,542 S 5/2001 Dougherty
 D467,049 S 12/2002 Kohn
 D467,398 S 12/2002 Kohn
 D491,586 S * 6/2004 Dallimore D15/123
 D508,461 S 8/2005 Hedrick
 D564,545 S 3/2008 Poss et al.
 D584,020 S 12/2008 McNamara
 D611,006 S 3/2010 Lanfear
 D655,245 S 3/2012 Itoh
 D664,923 S 8/2012 Harmon
 D665,342 S 8/2012 Qualls, Jr. et al.
 D693,295 S 11/2013 Inskeep
 D693,426 S 11/2013 Mehra et al.
 D693,766 S 11/2013 Hirotomi
 D694,180 S 11/2013 Inskeep
 D697,033 S 1/2014 Hashimoto et al.
 D699,180 S 2/2014 Sweere et al.
 D699,670 S 2/2014 Cooper
 D699,672 S 2/2014 Kosugi et al.
 D705,721 S * 5/2014 Huang D13/103
 D706,217 S 6/2014 McKune
 D708,128 S 7/2014 Andre et al.
 D708,190 S 7/2014 An et al.
 D716,727 S 11/2014 Oyadomari
 D716,728 S 11/2014 Oyadomari

D719,095 S 12/2014 Oota
 D719,195 S * 12/2014 Ljunggren D15/123
 D723,506 S 3/2015 Aglassinger
 D725,031 S 3/2015 Tinius
 D732,537 S 6/2015 Kostrzewski
 D733,107 S * 6/2015 Porter D14/240
 D733,144 S 6/2015 Kostrzewski
 D735,701 S 8/2015 Maxam
 D735,843 S 8/2015 Sunwoo et al.
 D737,817 S * 9/2015 Starck D14/365
 D742,307 S * 11/2015 DeKeuster D13/103
 D742,817 S 11/2015 Lammers-Meis
 D745,080 S 12/2015 Masano et al.
 D749,041 S 2/2016 Patel et al.
 D753,599 S 4/2016 Bies
 D757,384 S * 5/2016 Duvigneau D32/55
 D761,200 S 7/2016 Inskeep
 D764,404 S * 8/2016 Lau D13/103
 D764,408 S 8/2016 Spiegel
 D765,745 S 9/2016 Cheung

OTHER PUBLICATIONS

“Wasabi Power Battery Charger.” Accessed: Dec. 15, 2015. http://www.amazon.com/Wasabi-Power-NP-FM55H-NP-FM500H-Cyber-shot/dp/B0011ZCCCW/ref=sr_1_1%201.
 “Lucent 108386921 Lucent 40 B Battery Charger/ Radio Phone Base.” Recycled Goods. Dec. 15, 2015. <http://www.recycledgoods.com/lucent-108386921-lucent-40b-battery-charger-radio-phone-base.html>.
 “Genie 37845R.S Screw Drive Carriage Assembly.” Accessed: Dec. 15, 2015. Overhead Door Parts Canada. <http://shop.overhead-doorparts.ca/Genie-37845RS-Screw-Drive-Carriage-Assembly-Genie-37845RS.htm>.
 “Ryobi 36V Brushless Blower Vacuum.” Accessed: Dec. 17, 2015. Good Design. <https://www.good-design.com/entry/ryobi-36v-brushless-blower-vacuum/>.
 “Rigid GEN5X 18V Jobsite Blower Review.” First Comment: Oct. 3, 2015. Pro Tool Reviews. <http://www.protoolreviews.com/tools/outdoor-equipment/ridg-id-gen5x-18v-jobsite-blower/18629/>.
 United States Patent Office Action for U.S. Appl. No. 29/561,260 dated Dec. 22, 2016.
 United States Patent Office Notice of Allowance for U.S. Appl. No. 29/561,262 dated Dec. 2, 2016.
 United States Patent Office Action for U.S. Appl. No. 29/561,263 dated Dec. 9, 2016.

* cited by examiner

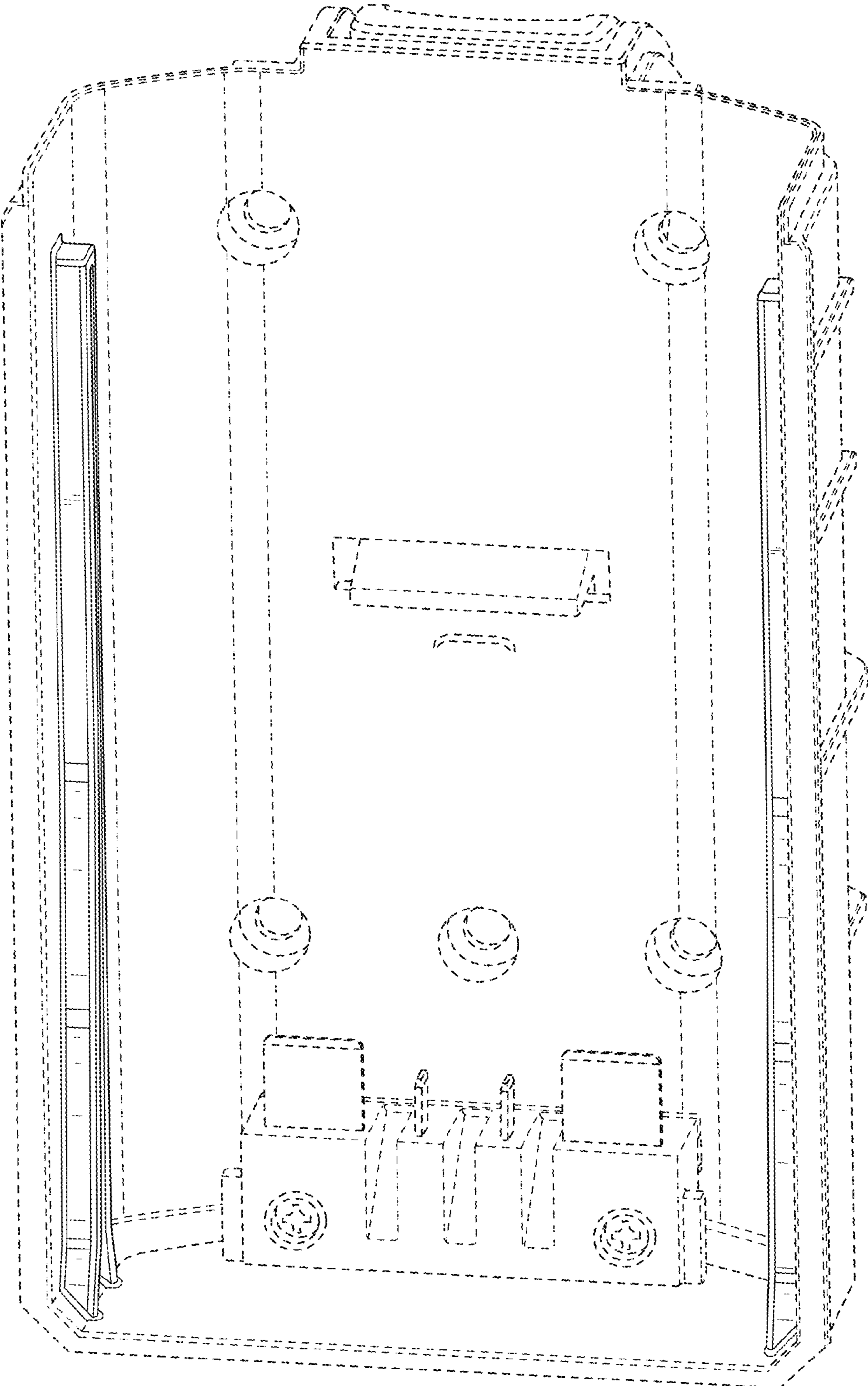


FIG. 1

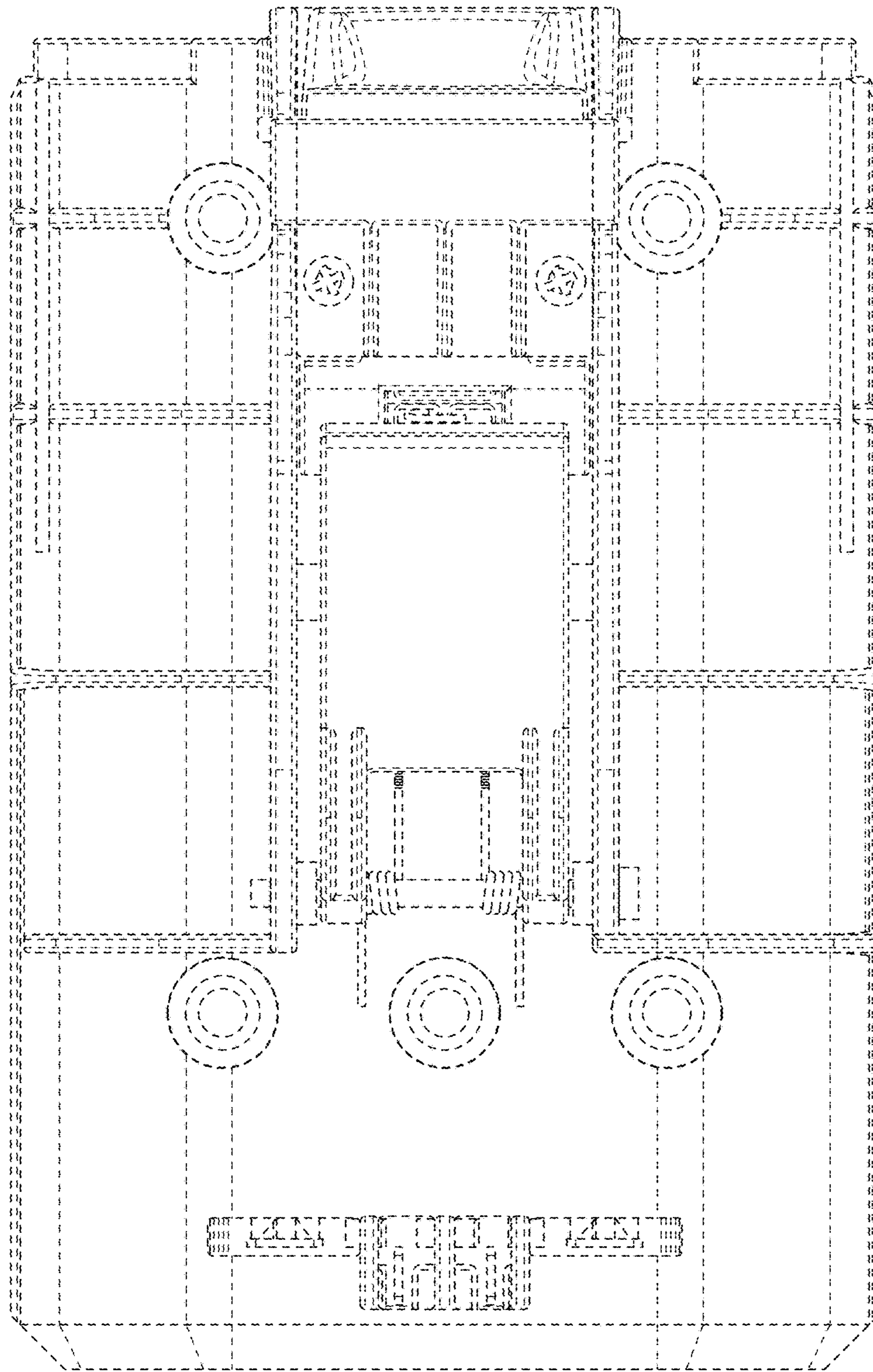


FIG. 2

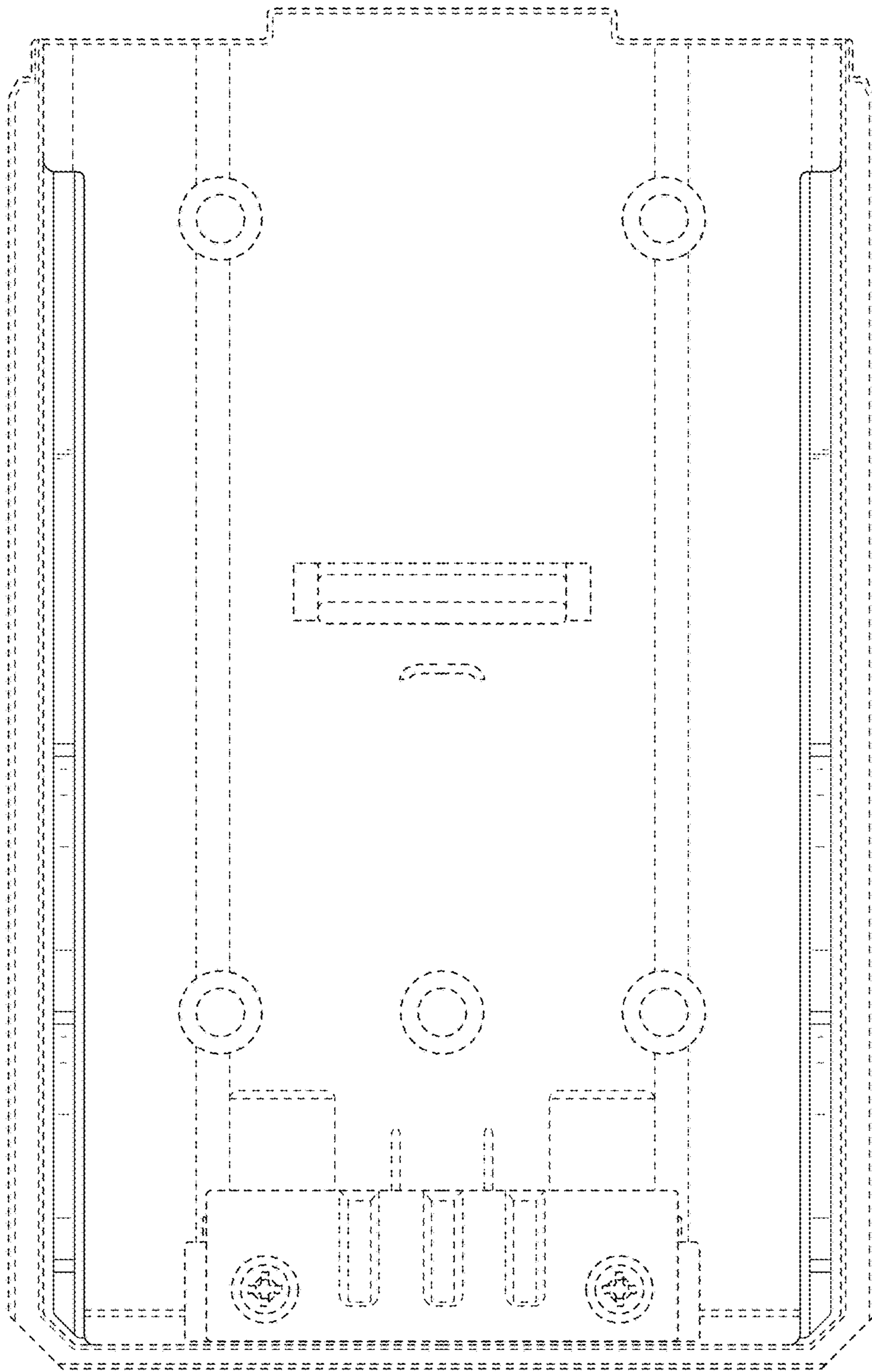


FIG. 3

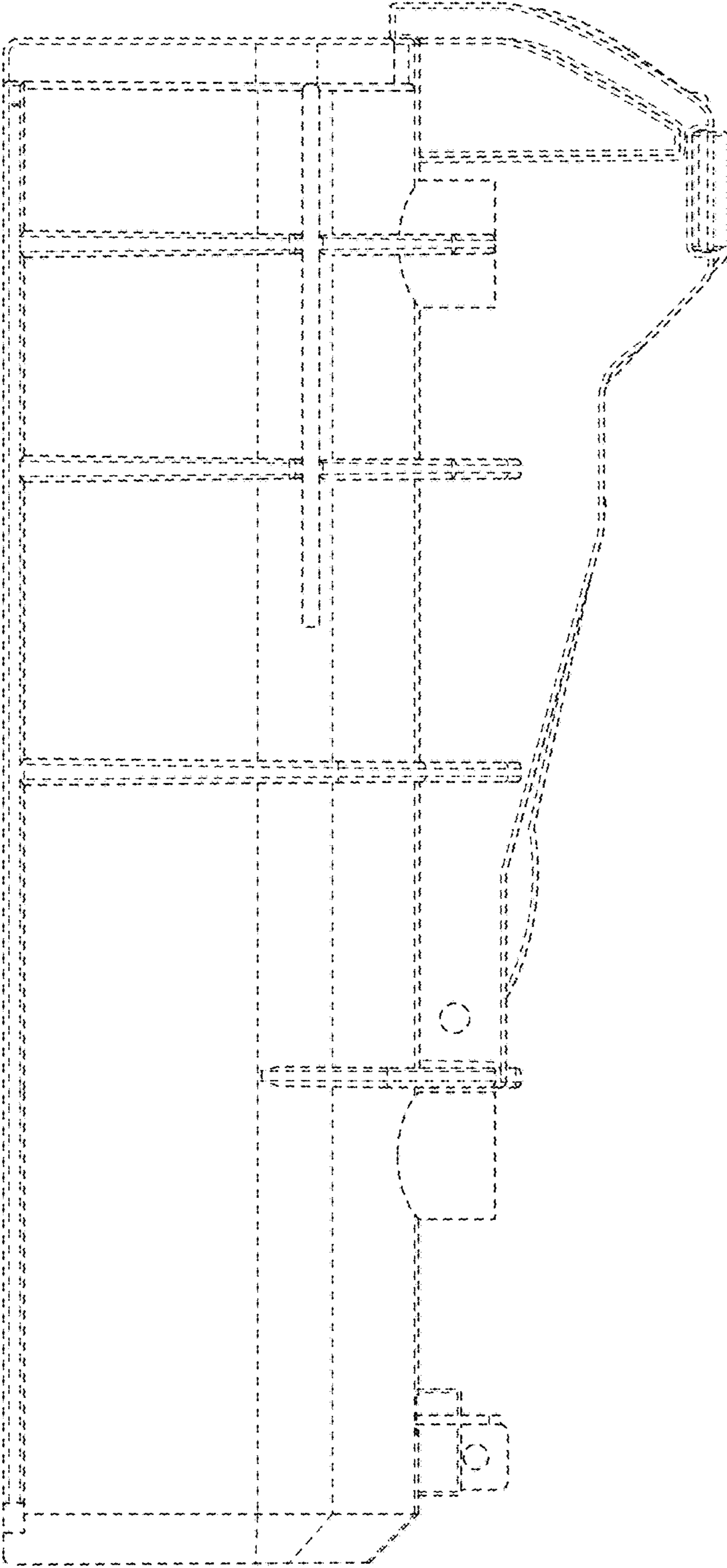


FIG. 4

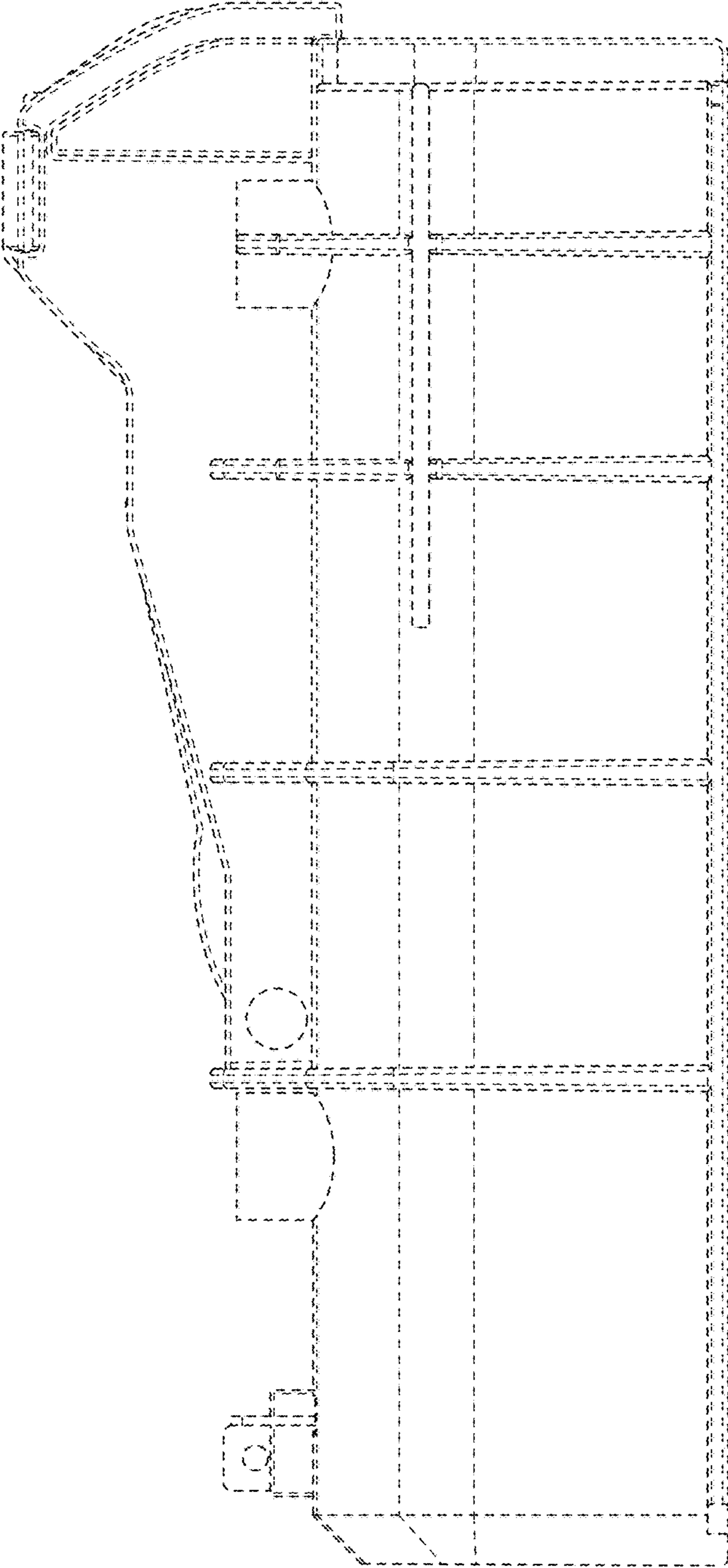


FIG. 5

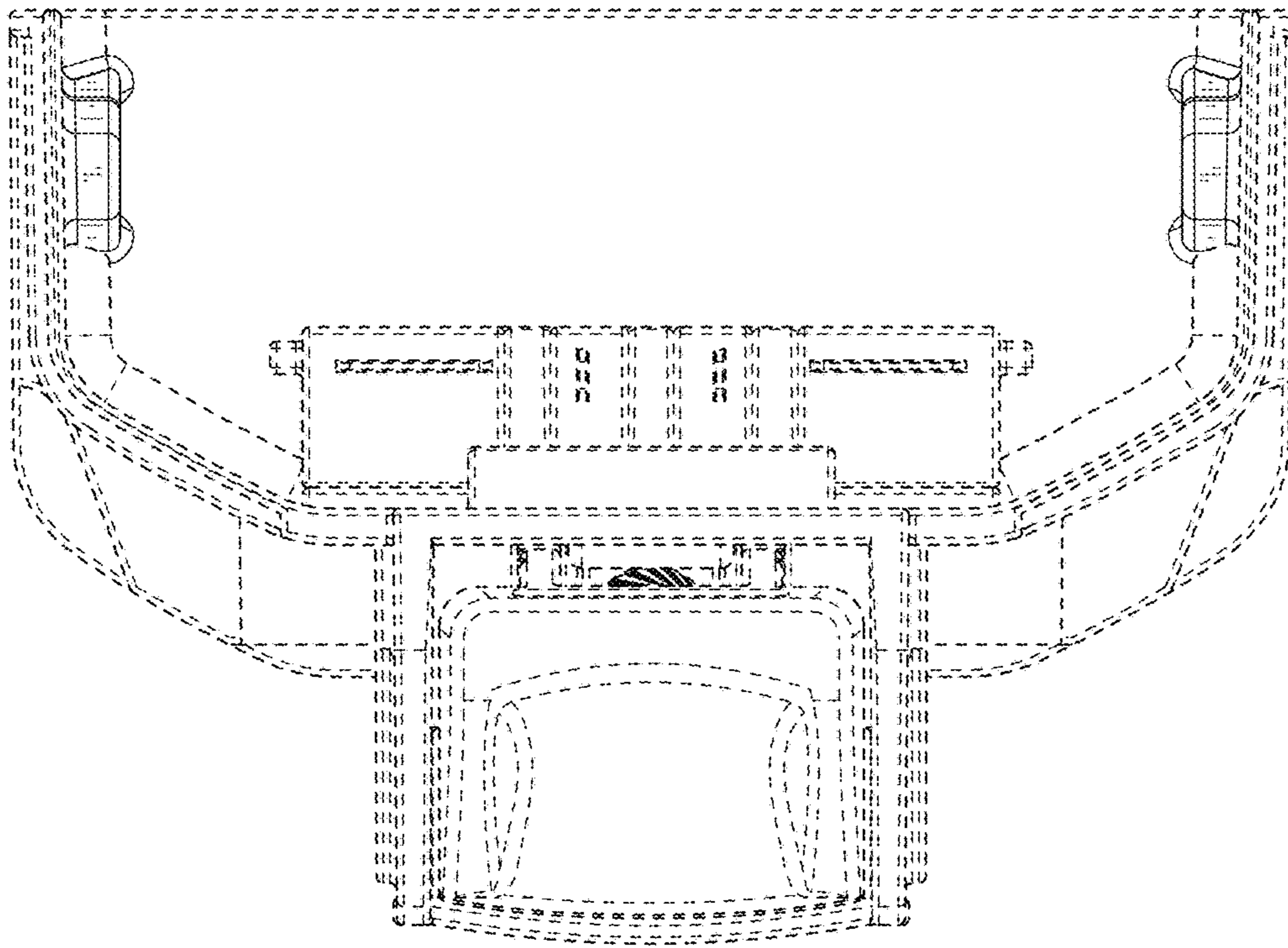


FIG. 6

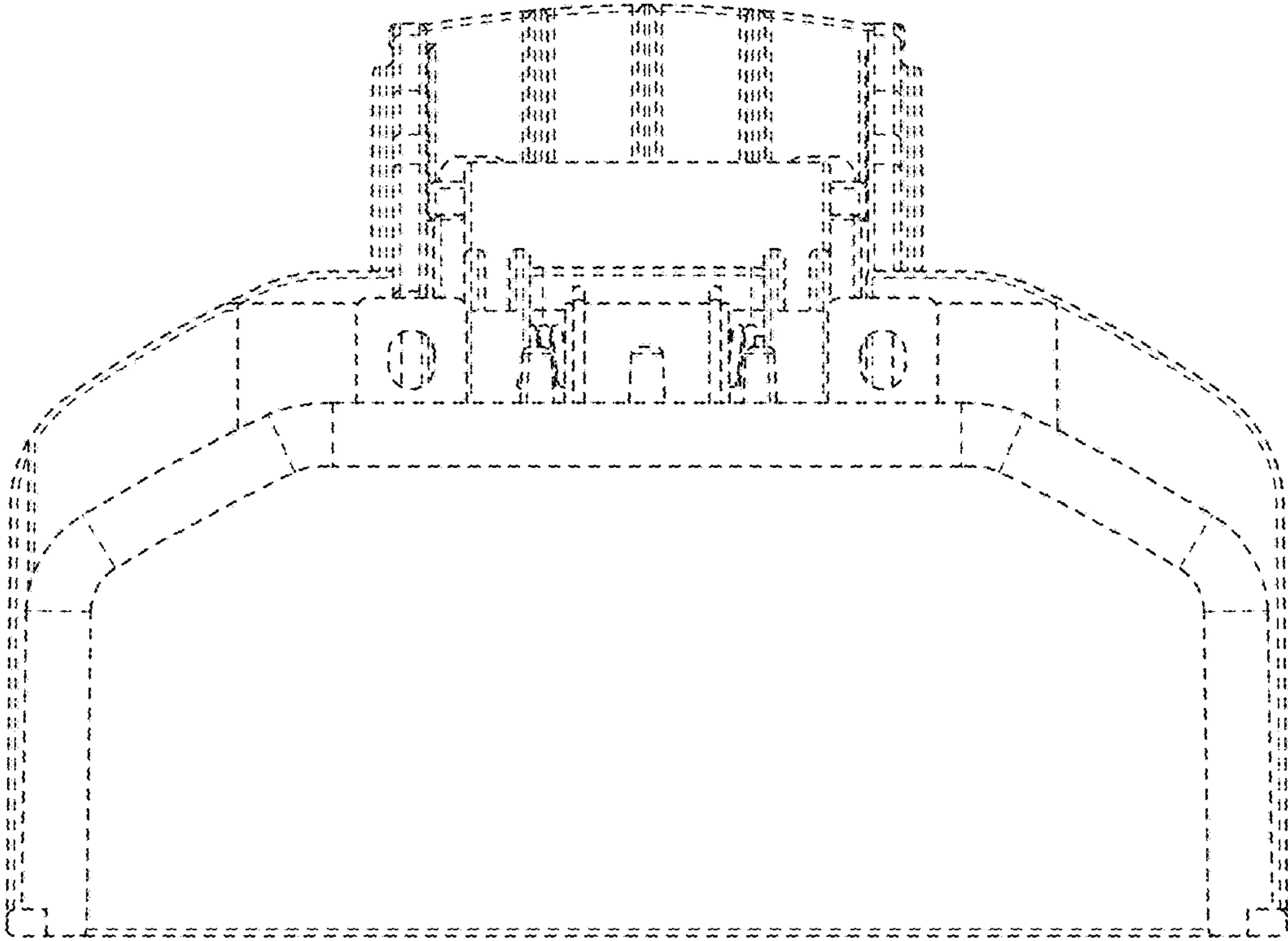


FIG. 7