



US00D784924S

(12) **United States Design Patent** (10) **Patent No.:** **US D784,924 S**
Andren (45) **Date of Patent:** **** Apr. 25, 2017**

- (54) **GENERATOR ENCLOSURE**
- (71) Applicant: **Kohler Co.**, Kohler, WI (US)
- (72) Inventor: **Travis J. Andren**, Sheboygan, WI (US)
- (73) Assignee: **Kohler Co.**, Kohler, WI (US)
- (**) Term: **15 Years**
- (21) Appl. No.: **29/527,486**
- (22) Filed: **May 19, 2015**

- D249,788 S 10/1978 Nanjo
 - D295,400 S 4/1988 Wung
 - 4,835,405 A 5/1989 Clancey et al.
 - D314,743 S 2/1991 Ishii
 - D318,874 S * 8/1991 Pushelberg D13/184
 - D335,862 S 5/1993 Kusunoki et al.
 - D338,469 S 8/1993 Alden et al.
 - D339,102 S 9/1993 Boyd
 - D361,220 S 8/1995 Cacciola
 - D367,652 S * 3/1996 Beaumont D13/184
- (Continued)

Related U.S. Application Data

- (60) Continuation of application No. 29/440,174, filed on Dec. 19, 2012, now Pat. No. Des. 731,971, and a continuation of application No. 29/516,296, filed on Jan. 30, 2015, now Pat. No. Des. 751,986, which is a division of application No. 29/440,174, filed on Dec. 19, 2012, now Pat. No. Des. 731,971.
- (51) **LOC (10) Cl.** **13-01**
- (52) **U.S. Cl.**
USPC **D13/114**
- (58) **Field of Classification Search**
USPC D13/101, 111, 112, 113, 114, 118, 122, D13/184, 199; D23/351, 395
CPC F23L 17/005; F24F 7/00; F01N 1/083; F01N 1/084; F01N 13/084; H01M 8/2475; H01M 8/04014; H01M 8/04164; Y02B 90/14; Y02B 90/16
See application file for complete search history.

References Cited

U.S. PATENT DOCUMENTS

- D27,433 S 7/1897 Heath
- D103,072 S 2/1937 Morgan
- D138,383 S 7/1944 Whitesell
- D158,149 S 4/1950 Sundberg
- D165,225 S 11/1951 Goodman

OTHER PUBLICATIONS

Office Action from the United States Patent and Trademark Office for U.S. Appl. No. 29/516,296 dated Jul. 10, 2015 (14 pages).
(Continued)

Primary Examiner — Derrick Holland
(74) *Attorney, Agent, or Firm* — Michael Best & Friedrich LLP

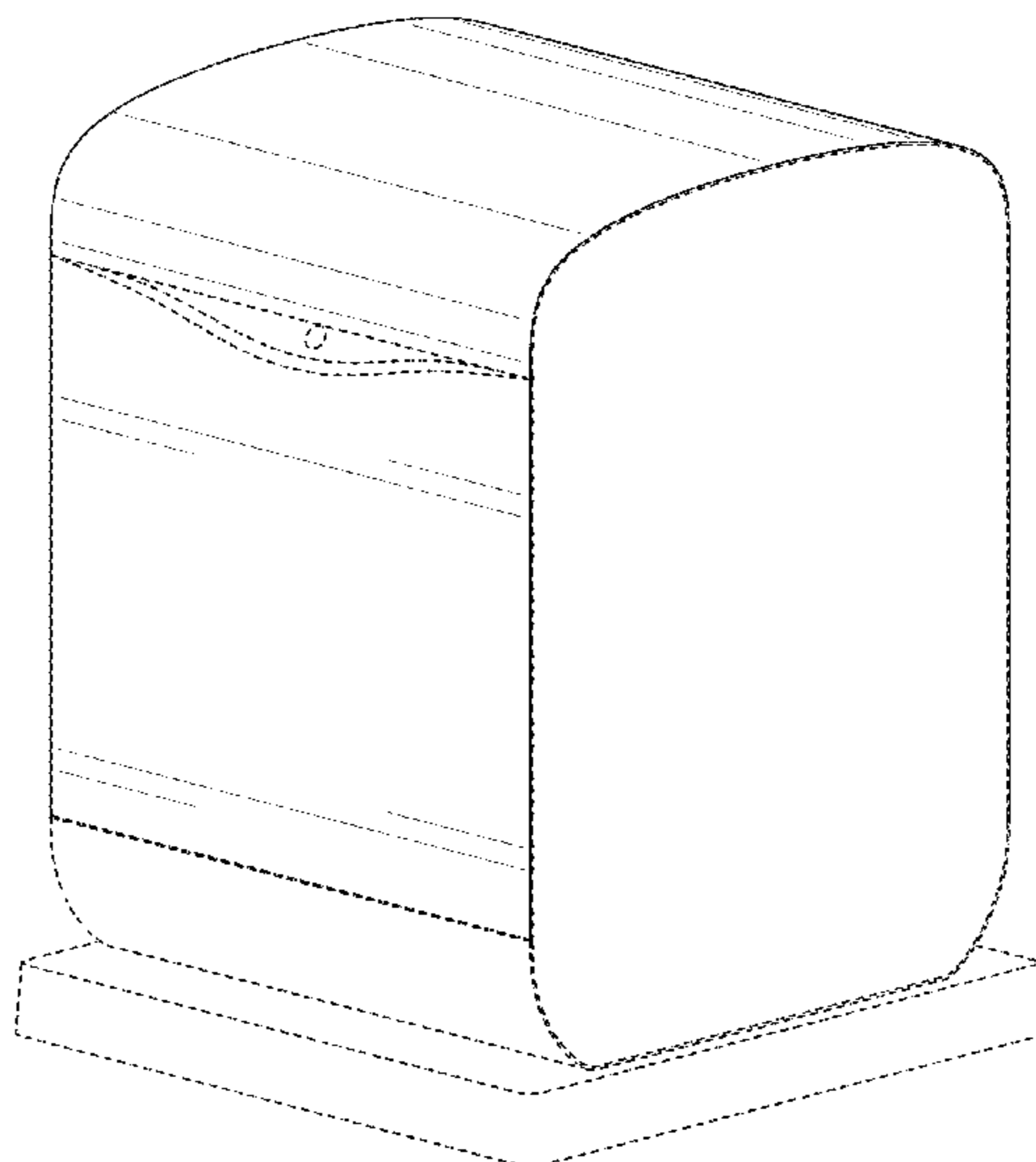
(57) **CLAIM**

I claim the ornamental design for a generator enclosure, as shown and described.

DESCRIPTION

FIG. 1 is a front view of a generator enclosure.
FIG. 2 is a rear view of the generator enclosure shown in FIG. 1.
FIG. 3 is a right side view of the generator enclosure shown in FIG. 1, the left side view being a mirror image thereof.
FIG. 4 is a top view of the generator enclosure shown in FIG. 1; and,
FIG. 5 is a front perspective view of the generator enclosure shown in FIG. 1.
The bottom view has no surface ornamentation and, therefore, has been omitted.
The broken lines shown represent unclaimed subject matter and form no part of the claimed design.

1 Claim, 5 Drawing Sheets



(56)

References Cited

U.S. PATENT DOCUMENTS

D382,853 S 8/1997 Crawford
 D406,233 S 3/1999 Kaplan
 D416,537 S 11/1999 Imai et al.
 D424,066 S 5/2000 Wheatley et al.
 D424,529 S * 5/2000 Raspotnig D13/184
 D425,517 S 5/2000 Wheatley et al.
 D428,384 S 7/2000 Maeyama
 D429,687 S 8/2000 Steiner et al.
 D429,916 S 8/2000 Hurd
 6,124,567 A 9/2000 Feldhausen et al.
 D437,148 S 2/2001 Base et al.
 D446,183 S 8/2001 Miyashita
 D454,388 S 3/2002 Mutchnik et al.
 D467,731 S 12/2002 Pratt
 D470,103 S 2/2003 Nishida
 D486,161 S 2/2004 Greene
 D488,138 S 4/2004 Parsadayan et al.
 D505,766 S 6/2005 Matthews
 D511,139 S 11/2005 Xiao
 D513,872 S 1/2006 Moore
 D516,507 S 3/2006 Nushart et al.
 D517,009 S 3/2006 Xiao
 D522,770 S 6/2006 Easton
 D523,806 S 6/2006 Symanzik et al.
 D525,047 S 7/2006 Linder
 D531,176 S 10/2006 Ng et al.
 D545,505 S 6/2007 Cicero
 D547,130 S 7/2007 de Groote
 D555,116 S 11/2007 Schlegel
 D557,870 S 12/2007 MacMillan

D564,450 S 3/2008 Gravlin et al.
 D566,042 S 4/2008 Yamasaki et al.
 D572,658 S 7/2008 Yamamoto et al.
 D574,771 S 8/2008 Flanigan
 D584,251 S 1/2009 Lewis et al.
 D586,151 S 2/2009 Roberts
 D588,061 S 3/2009 Bao et al.
 D588,063 S 3/2009 Lannoch
 D589,518 S 3/2009 Keith et al.
 D594,819 S 6/2009 Yamamoto et al.
 D624,878 S 10/2010 Uneo et al.
 D638,795 S 5/2011 Bechtel
 D654,023 S 2/2012 Kyle Ching Hao
 D662,055 S 6/2012 Little et al.
 D689,819 S 9/2013 Olsson et al.
 D696,185 S 12/2013 Azuma
 D715,048 S 10/2014 Donnelly et al.
 D723,803 S 3/2015 Thuma et al.
 D726,134 S 4/2015 Prendes
 2003/0071465 A1 4/2003 Sugimoto et al.
 2006/0145550 A1 7/2006 Yamamoto et al.
 2008/0185801 A1 8/2008 Gravlin et al.

OTHER PUBLICATIONS

A 2010 norwall.com website excerpt depicting a Generac Guardian 14KW Generator, dated Apr. 15, 2010 (1 page).
 A 2010 norwall.com website excerpt depicting a Generac QP55 Generator, dated Apr. 15, 2010 (1 page).
 Notice of Allowance from the United States Patent and Trademark Office for U.S. Appl. No. 29/528,982 dated Dec. 12, 2016 (9 pages).

* cited by examiner

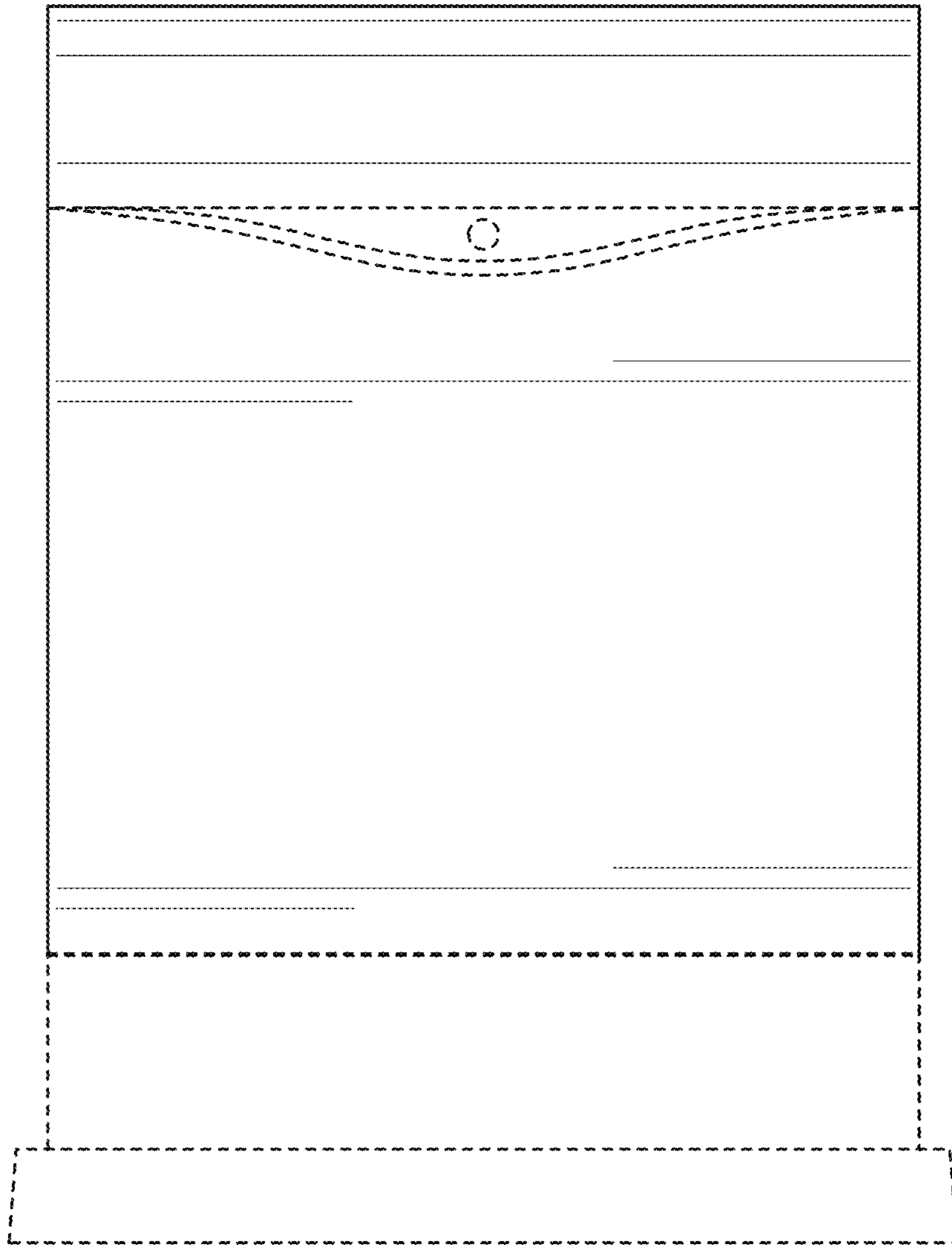


FIG. 1

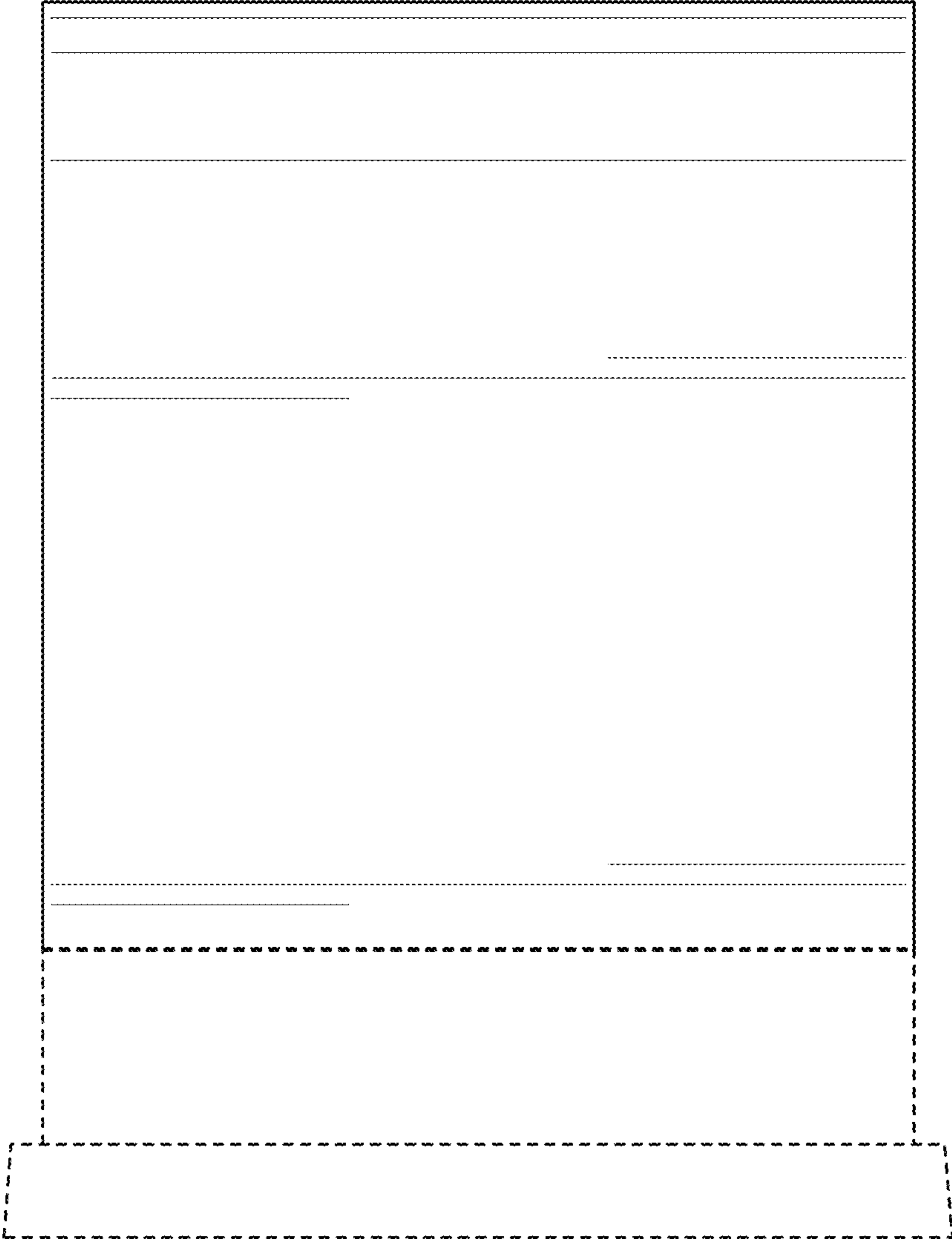


FIG. 2

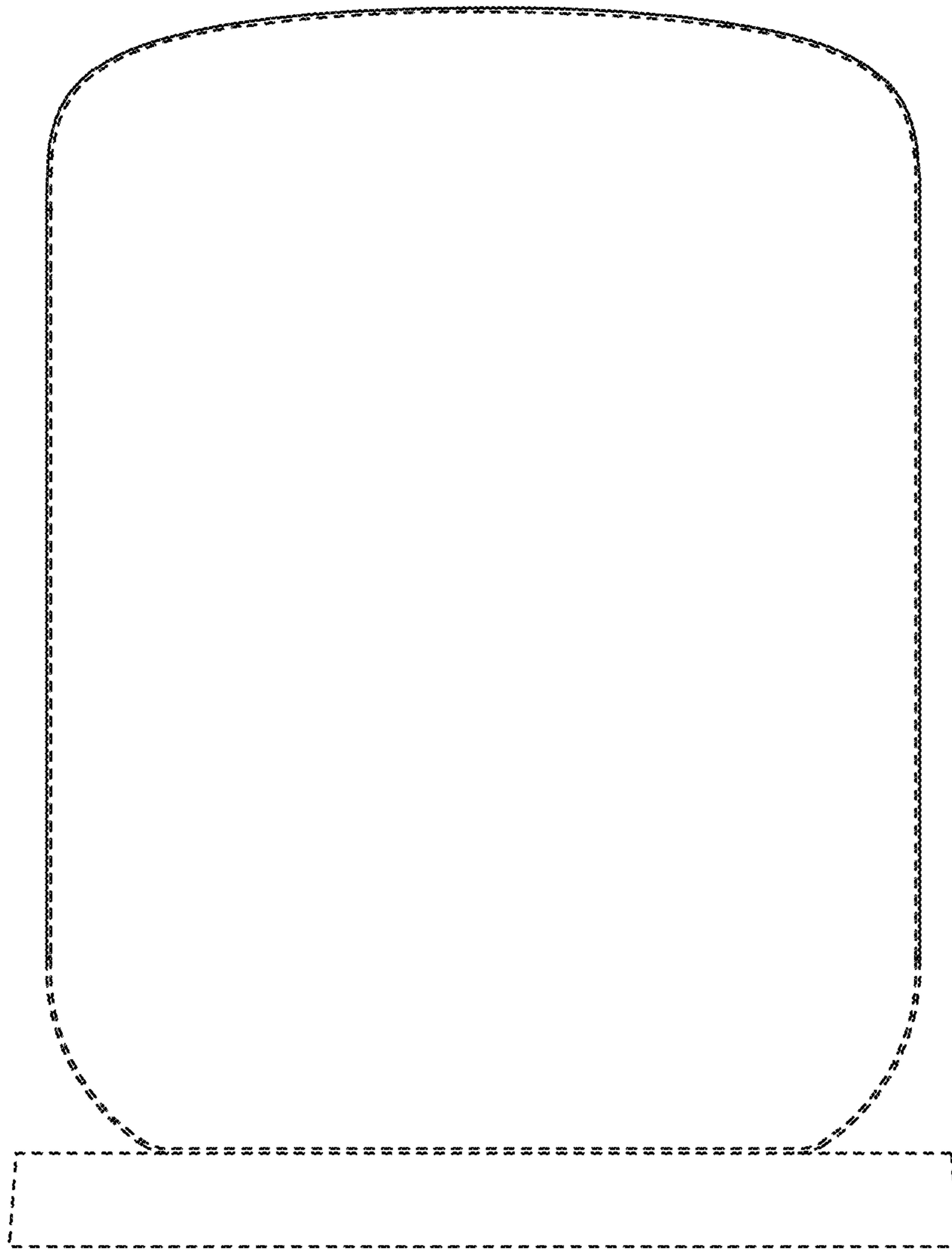


FIG. 3

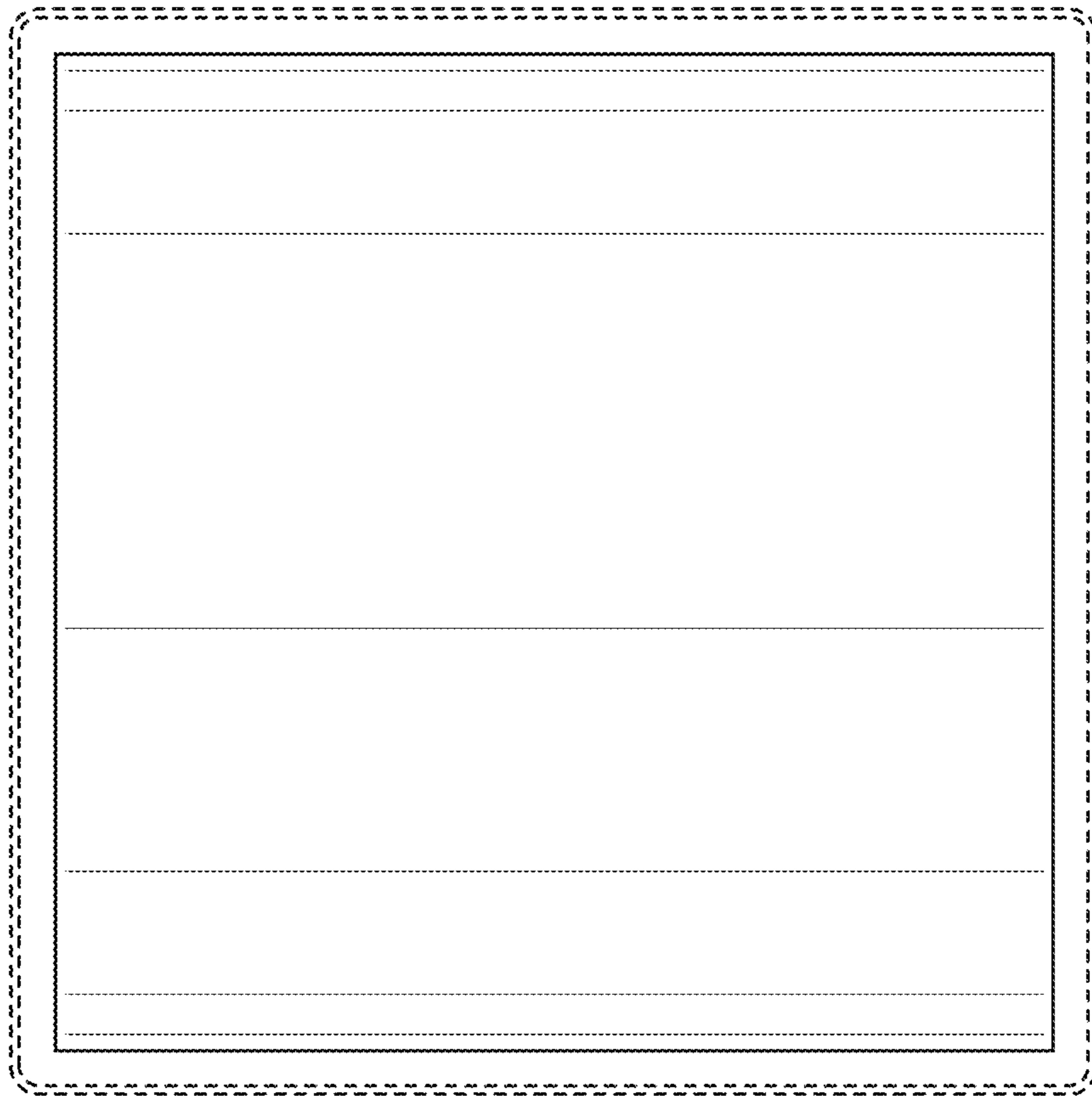


FIG. 4

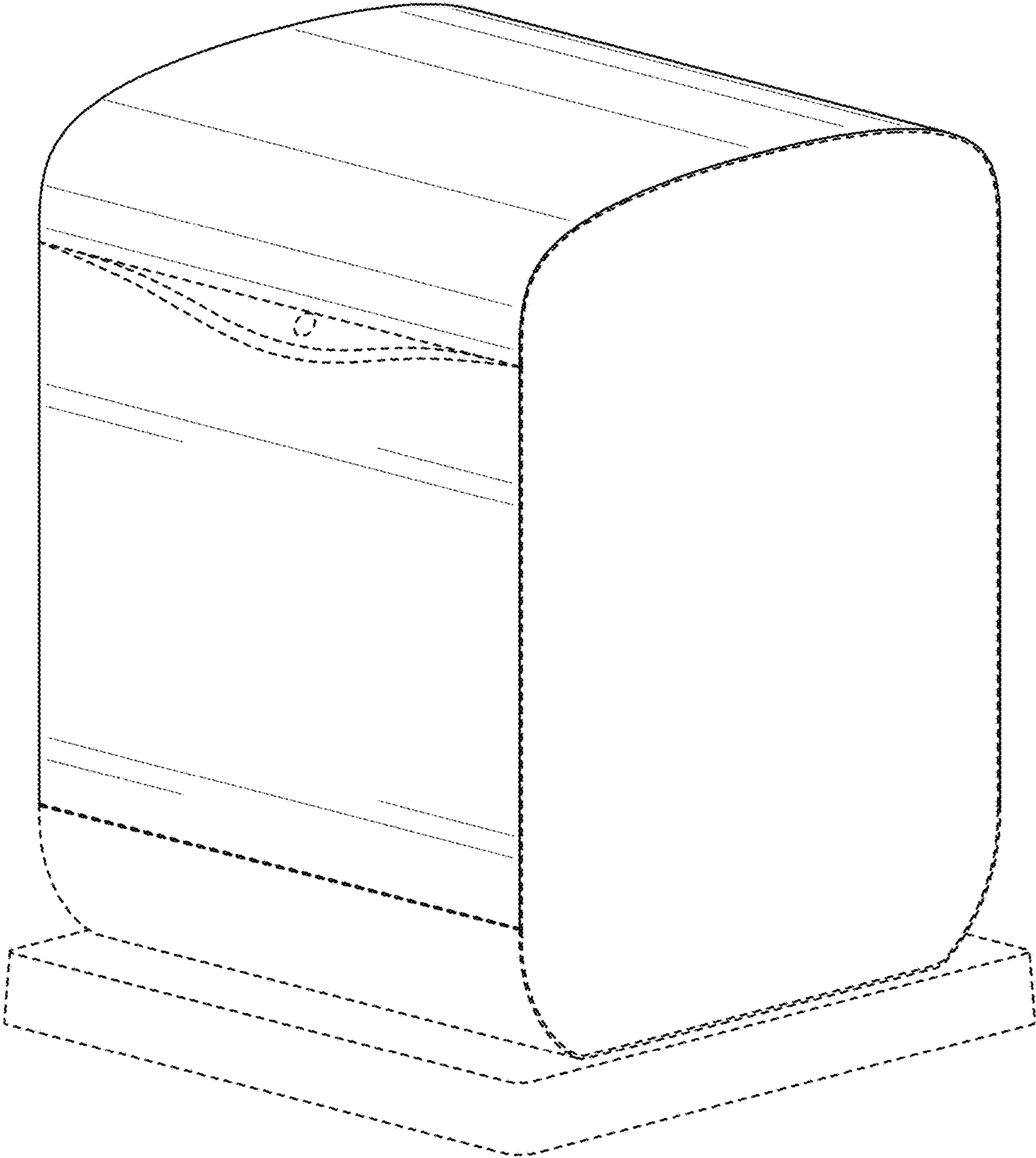


FIG. 5