



US00D784923S

(12) **United States Design Patent** (10) **Patent No.:** **US D784,923 S**
Song (45) **Date of Patent:** **** Apr. 25, 2017**

(54) **AUTOMOTIVE WIRELESS CHARGING CRADLE**

(71) Applicant: **CPC Co., Ltd.**, Hwaseong-si, Gyeonggi-do (KR)

(72) Inventor: **Soon Young Song**, Anyang-si (KR)

(73) Assignee: **CPC CO., LTD.**, Gyeonggi-Do (KR)

(**) Term: **15 Years**

(21) Appl. No.: **29/539,865**

(22) Filed: **Sep. 18, 2015**

(51) **LOC (10) Cl.** **13-02**

(52) **U.S. Cl.**
USPC **D13/108**; D14/253

(58) **Field of Classification Search**
USPC D13/102–110, 118, 119, 184, 199;
D14/356, 432, 140, 447, 251, 253
CPC Y02E 60/12; H02J 7/025; H02J 7/0042;
H02J 7/0044; H02J 7/0045; H02J 7/0003;
Y02T 90/14; Y02T 90/122; Y02T 90/128;
Y02T 90/163; H01F 38/14; H01R
13/6675; H01M 2/1022; H01M 2/1055;
H01M 10/44; H01M 10/46; H01M
10/425; B60L 11/182
See application file for complete search history.

(56) **References Cited**

U.S. PATENT DOCUMENTS

D431,250 S *	9/2000	Richter	D14/447
D456,024 S *	4/2002	Richter	D14/434
D521,990 S *	5/2006	Richter	D14/253
D529,905 S *	10/2006	Richter	D14/253
D530,713 S *	10/2006	Richter	D14/253
D684,980 S *	6/2013	Chun	D14/447

D685,379 S *	7/2013	Richter	D14/253
D685,380 S *	7/2013	Richter	D14/253
D732,013 S *	6/2015	Aspinall	D14/253
D750,612 S *	3/2016	Chen	D14/253
D766,908 S *	9/2016	Richter	D14/447
2007/0284500 A1 *	12/2007	Fan	B60R 11/02 248/346.06
2010/0294818 A1 *	11/2010	LaFargue	B60R 11/0241 224/400

* cited by examiner

Primary Examiner — Rosemary K Tarcza

Assistant Examiner — Alison Ofstun

(74) *Attorney, Agent, or Firm* — Revolution IP, PLLC

(57) **CLAIM**

The ornamental design for an “automotive wireless charging cradle,” as shown and described.

DESCRIPTION

FIG. 1 is a perspective view of automotive wireless charging cradle showing my new design;
FIG. 2 is a front view thereof;
FIG. 3 is a rear view thereof;
FIG. 4 is a left side view thereof;
FIG. 5 is a right side view thereof;
FIG. 6 is a top view thereof;
FIG. 7 is a bottom view thereof;
FIG. 8 is a rear perspective view thereof;
FIG. 9 is a perspective view of the automotive wireless charging cradle being placed upside down; and,
FIG. 10 is a rear perspective view of the automotive wireless charging cradle being placed upside down.

1 Claim, 10 Drawing Sheets

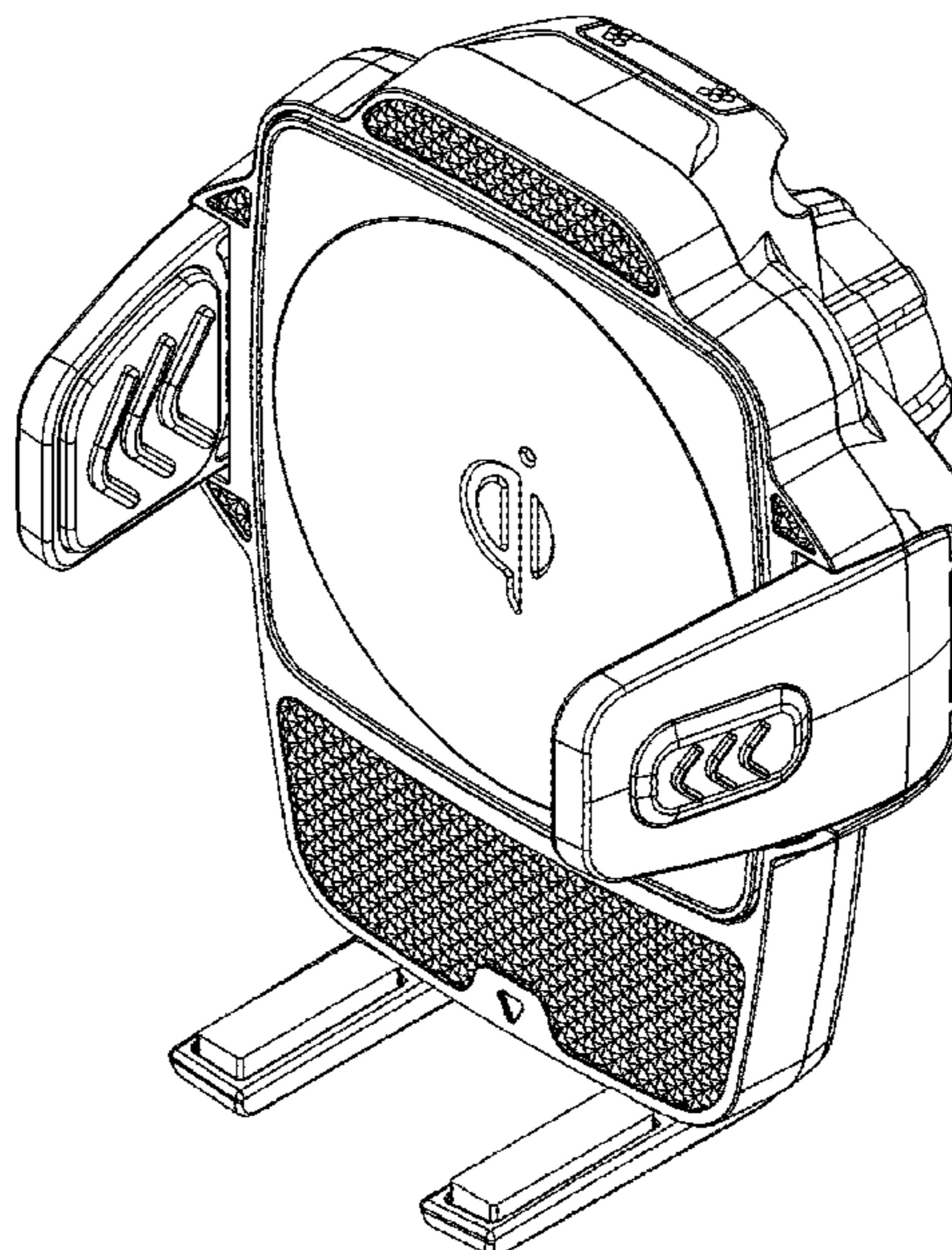


FIG. 1

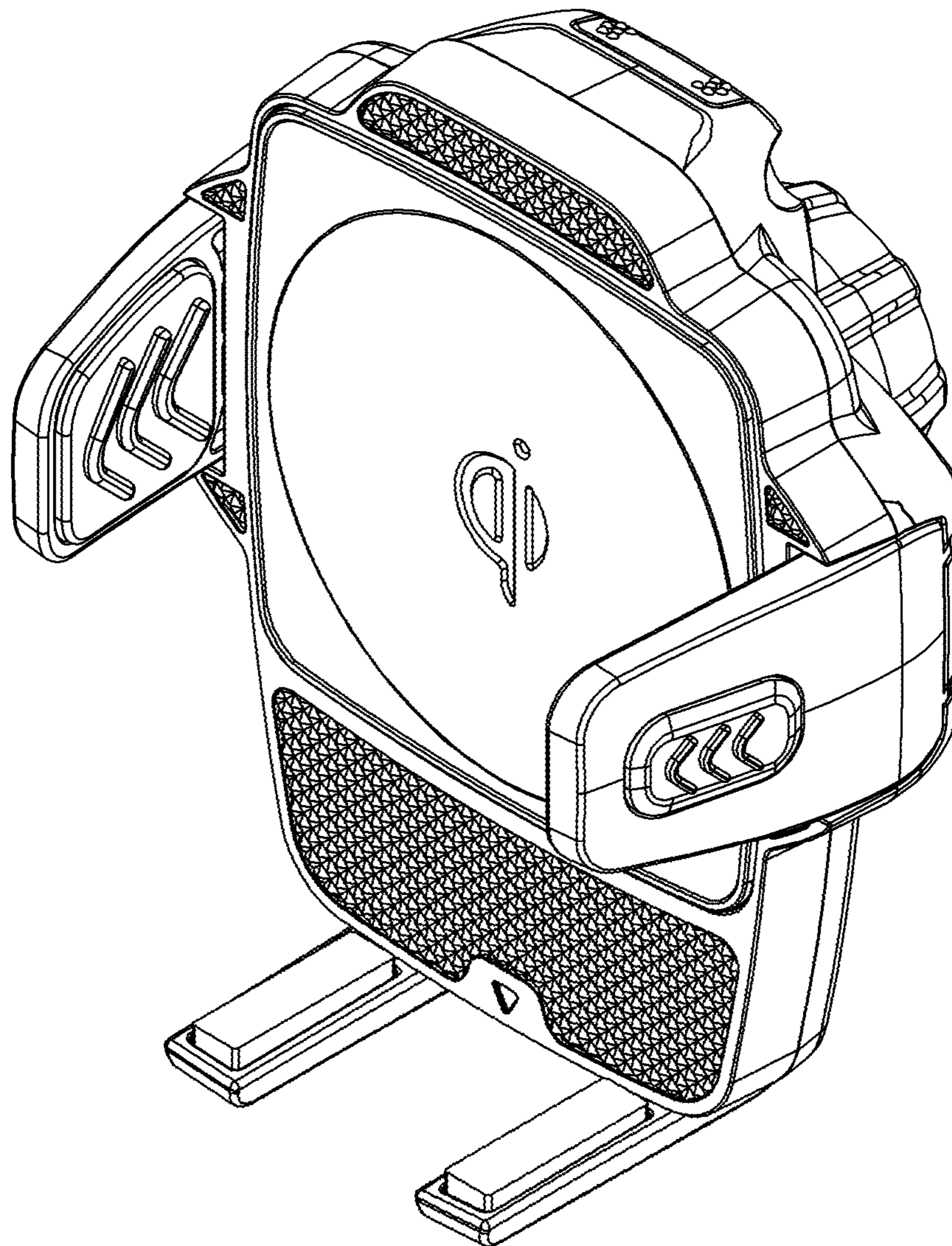


FIG. 2

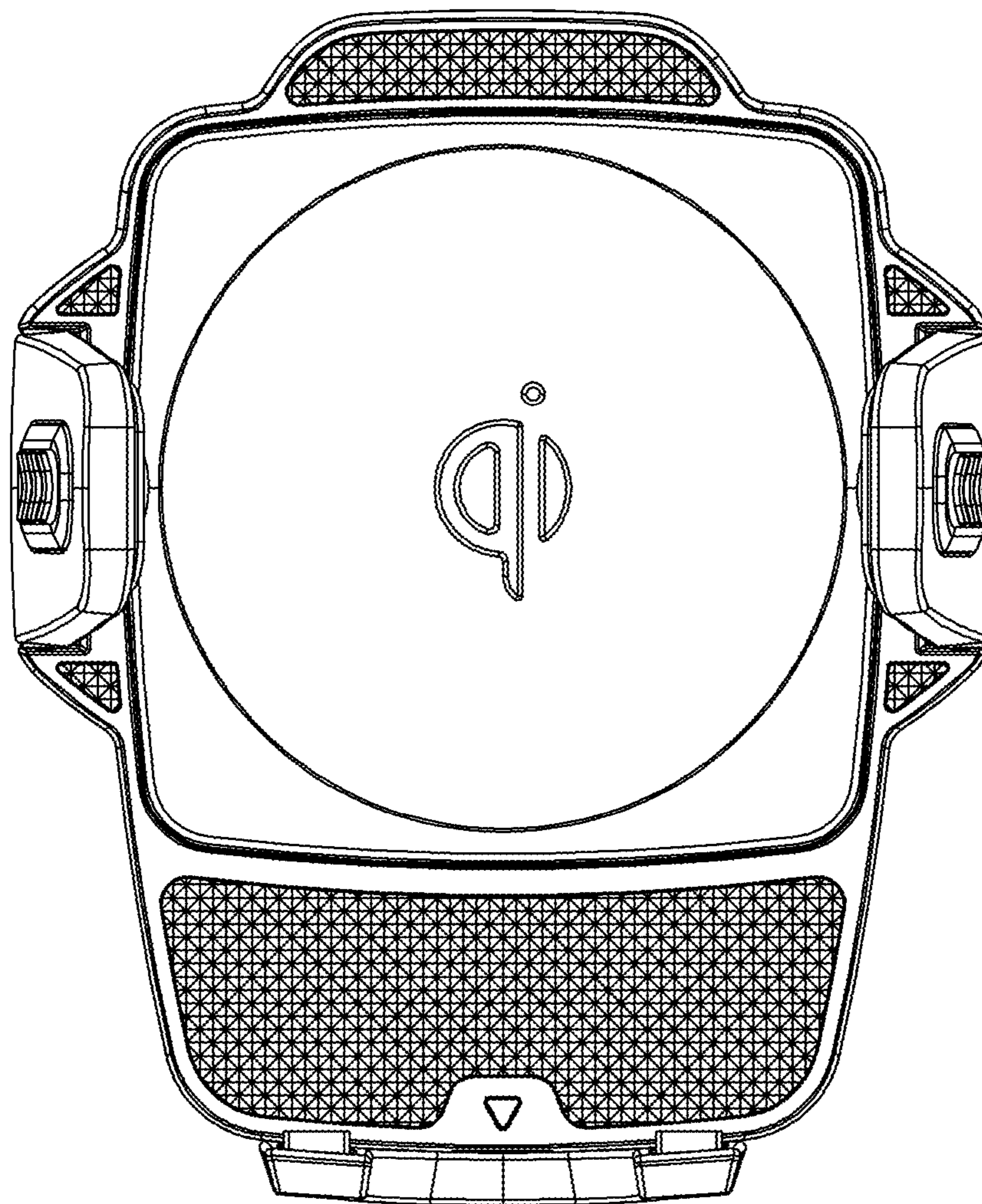


FIG. 3

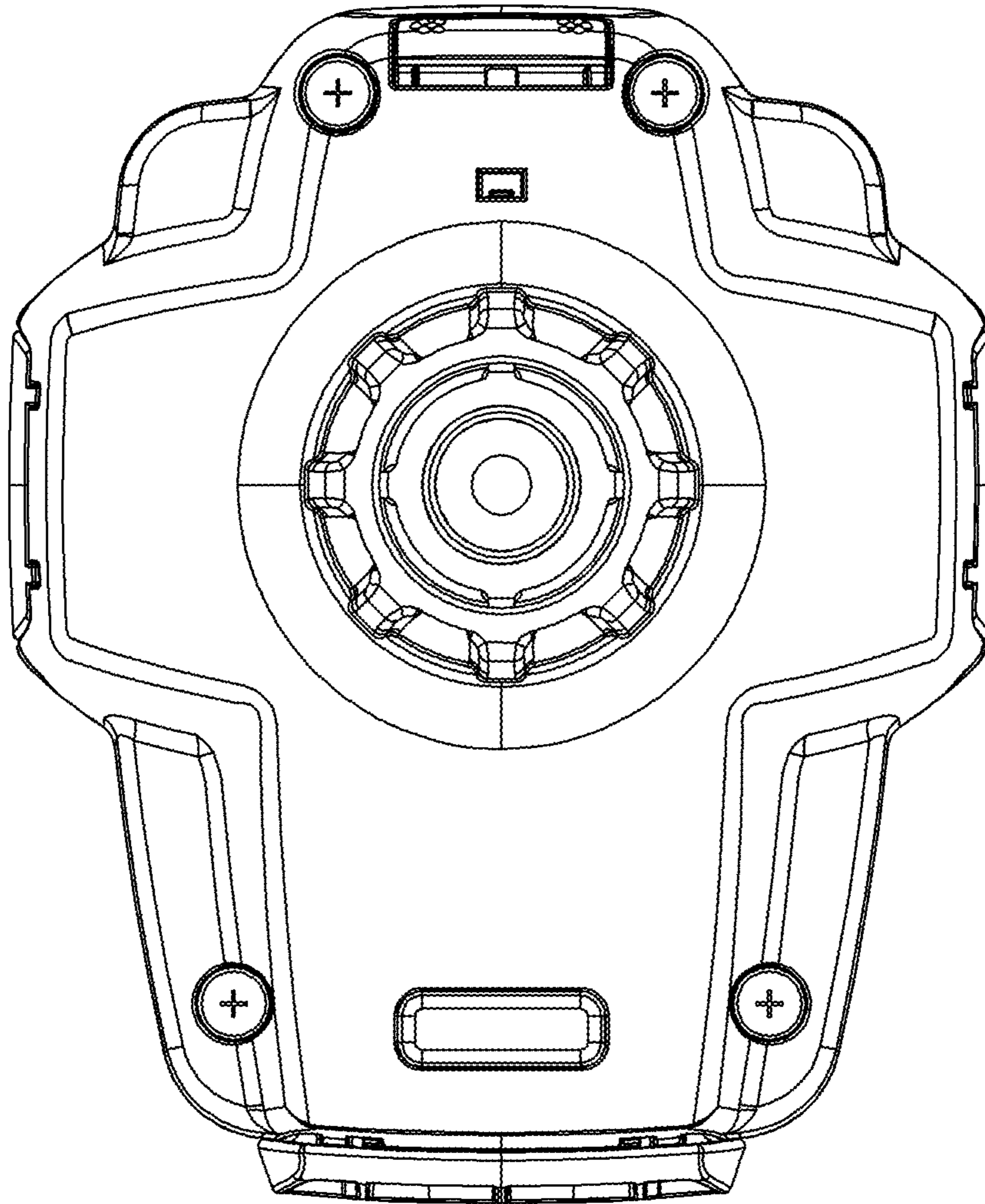


FIG. 4

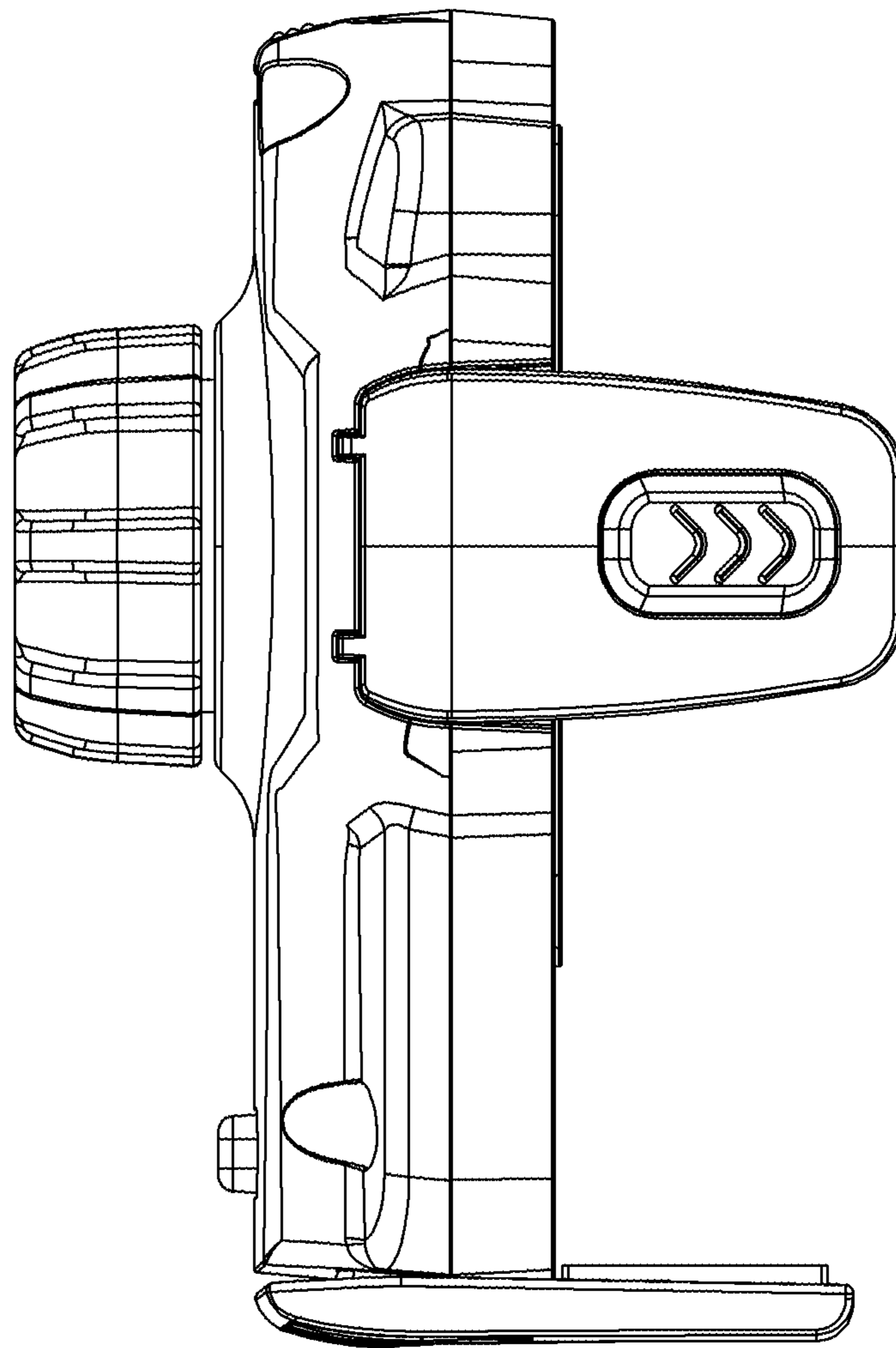


FIG. 5

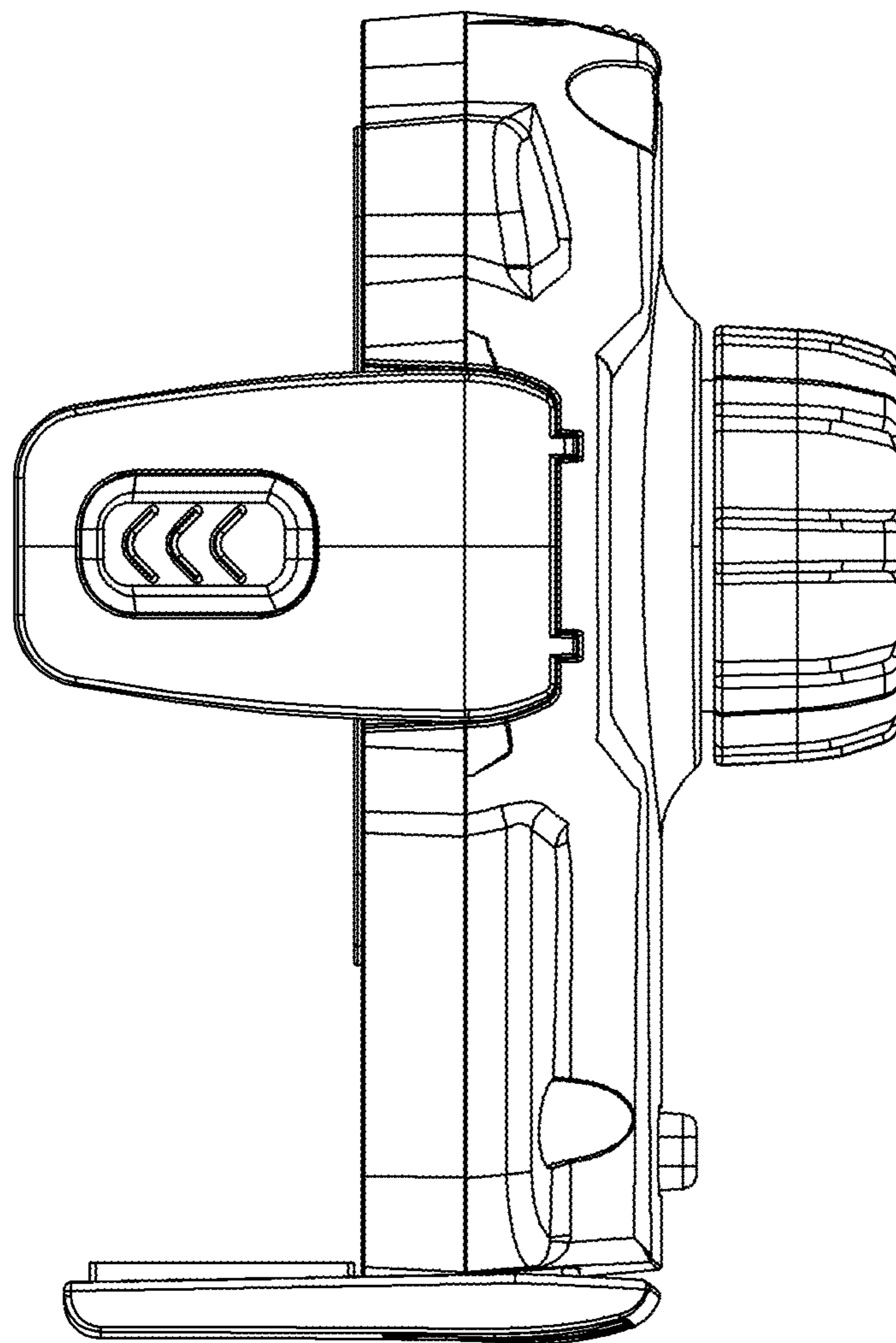


FIG. 6

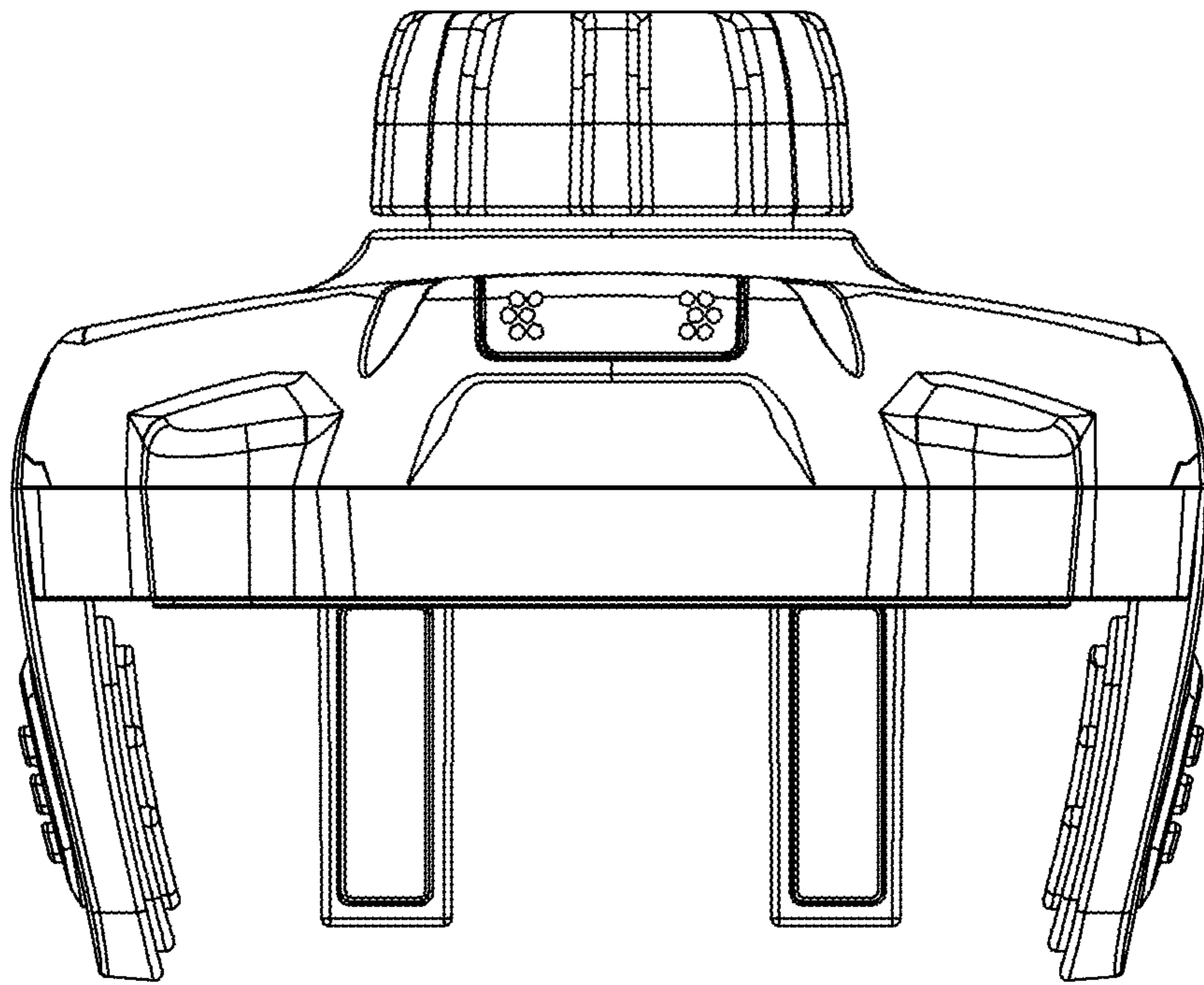


FIG. 7

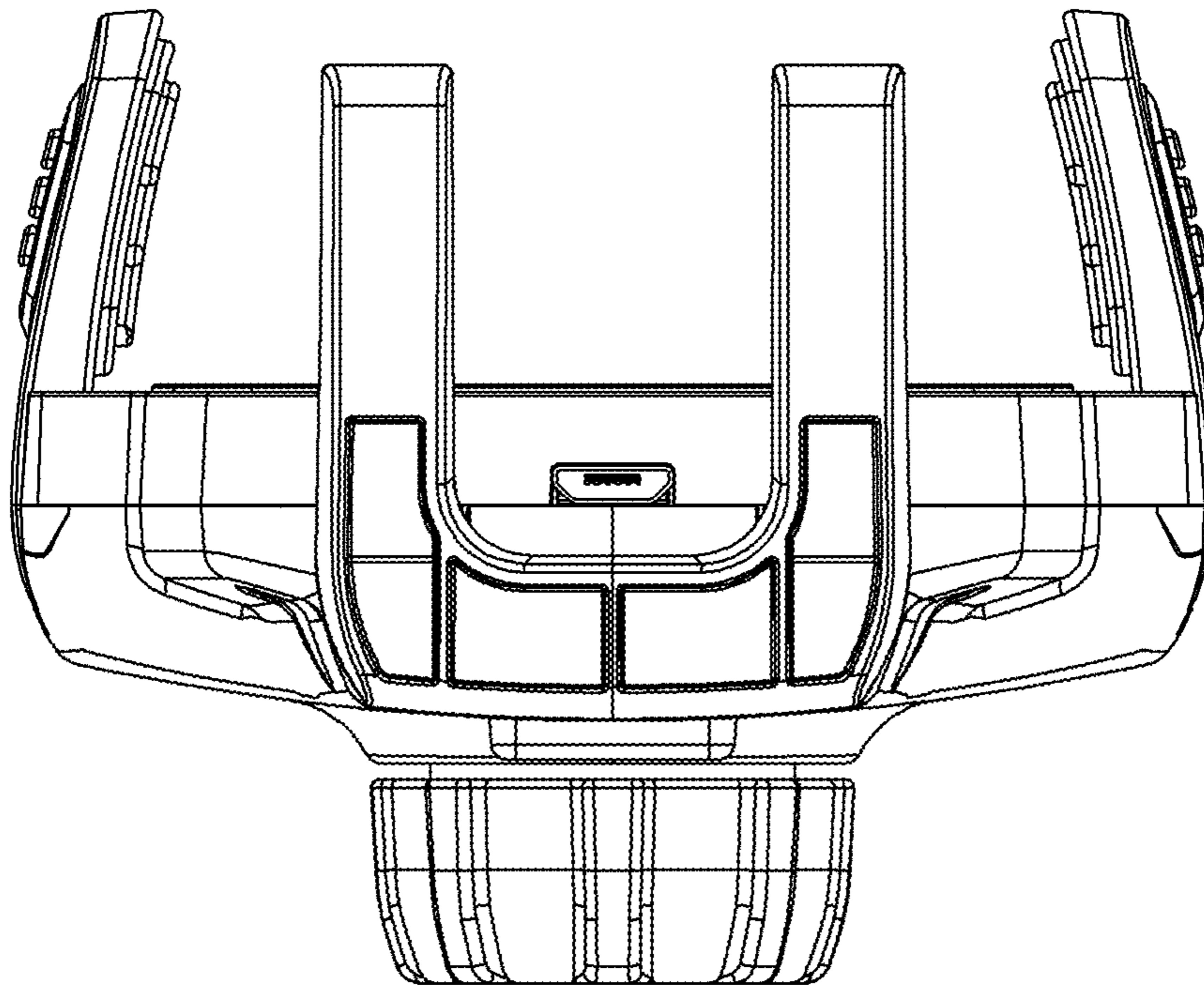


FIG. 8

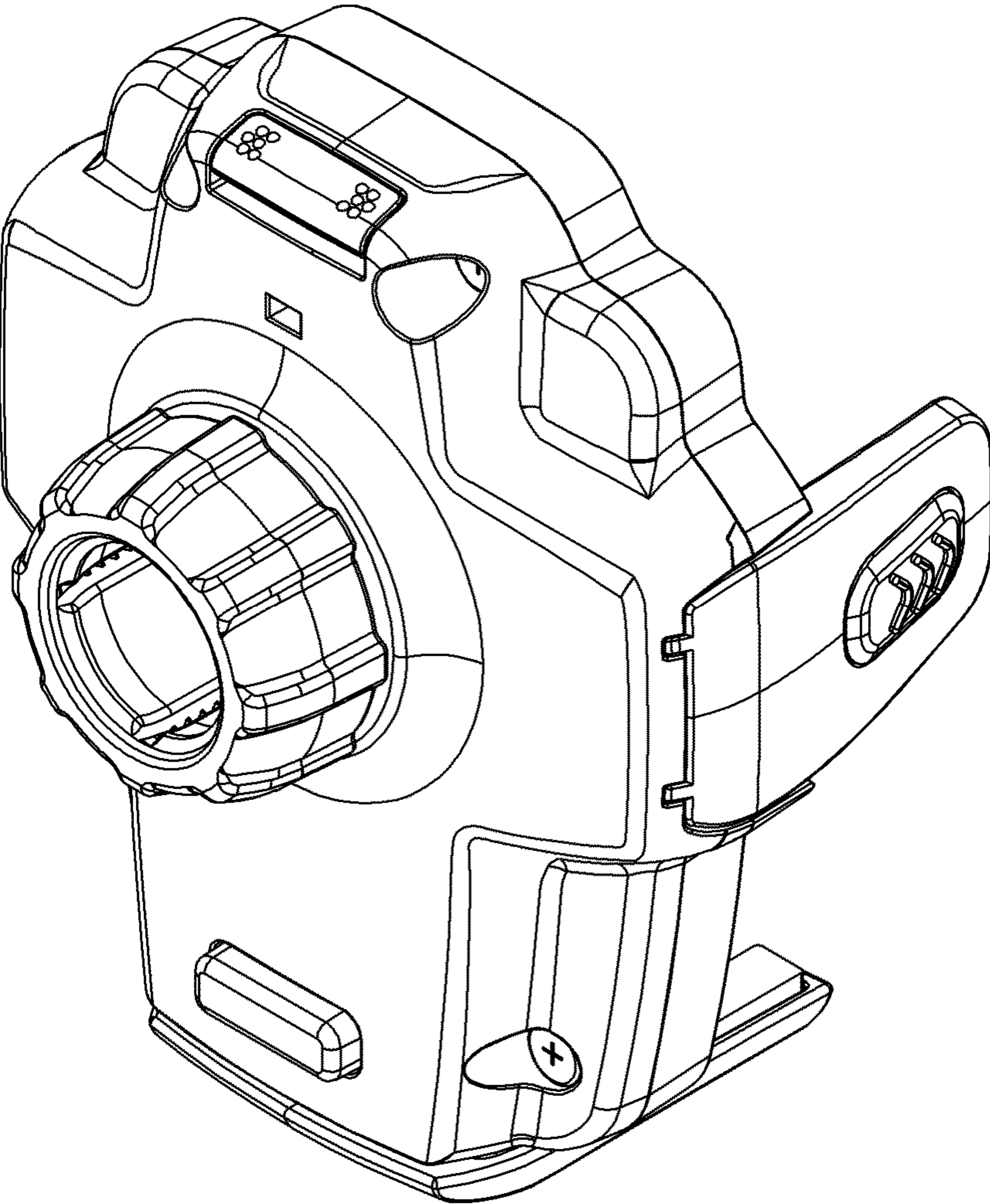


FIG. 9

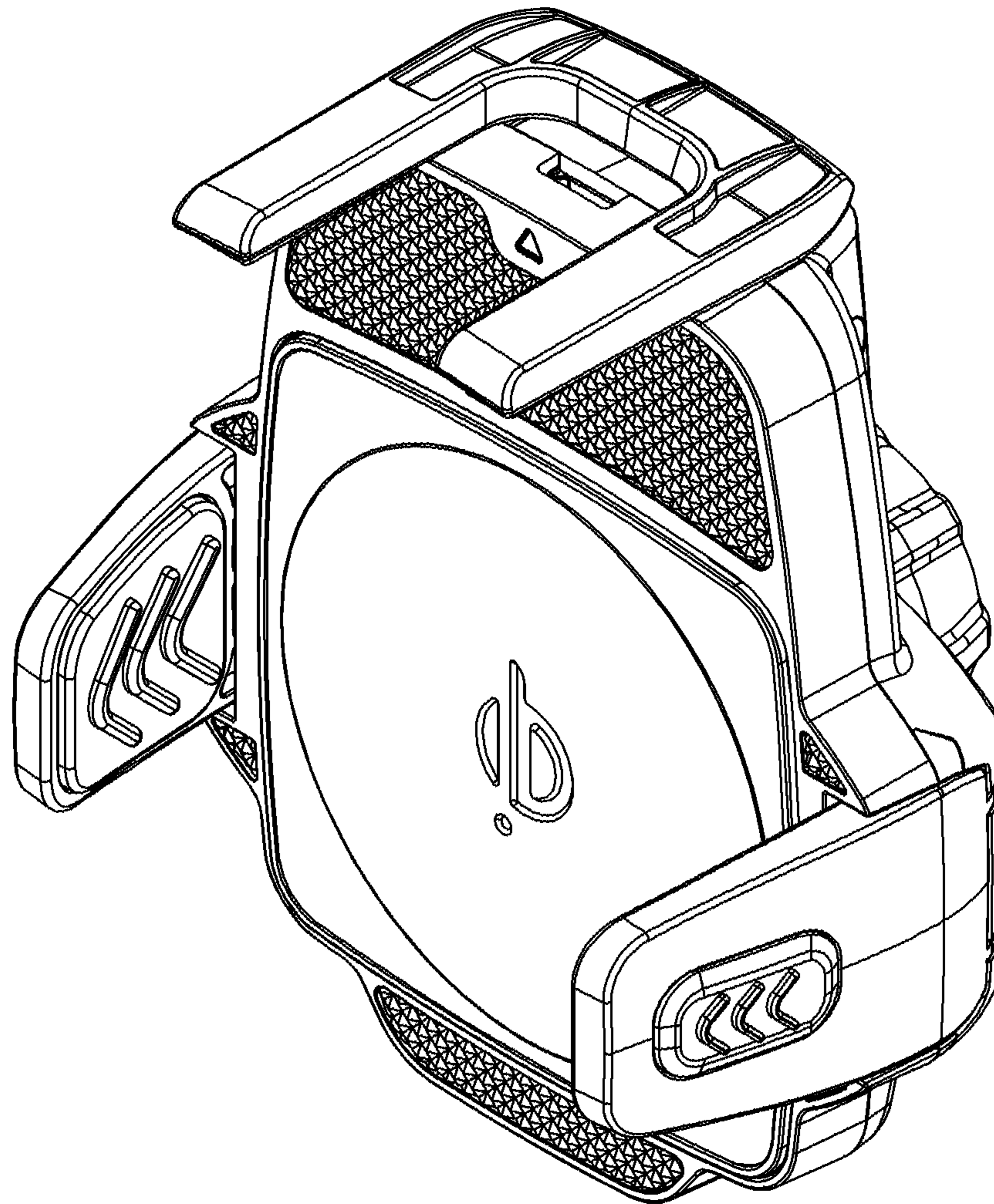


FIG. 10

