

US00D784921S

(12) **United States Design Patent**
Huang

(10) **Patent No.:** **US D784,921 S**

(45) **Date of Patent:** **** Apr. 25, 2017**

(54) **CHARGER**

(71) Applicant: **Guangzhou Yisbai Information Technology Co., Ltd., Guangzhou (CN)**

(72) Inventor: **Ting Huang, Guangzhou (CN)**

(**) Term: **15 Years**

(21) Appl. No.: **29/549,865**

(22) Filed: **Dec. 29, 2015**

(51) **LOC (10) Cl.** **13-02**

(52) **U.S. Cl.**
USPC **D13/107; D13/110**

(58) **Field of Classification Search**

USPC D13/107–110, 118–119, 184; D14/251,
D14/253, 432, 434, 447
CPC Y02E 60/12; Y02T 90/14; Y02T 90/122;
Y02T 90/128; Y02T 90/163; H02J 7/025;
H02J 7/0042; H02J 7/0044; H02J 7/0045;
H02J 7/0003; H01F 38/14; H01R
13/6675; H01M 2/1022; H01M 2/1055;
H01M 10/44; H01M 10/46; H01M
10/425; B60L 11/182
See application file for complete search history.

(56) **References Cited**

U.S. PATENT DOCUMENTS

D478,310 S *	8/2003	Andre	D13/110
D478,546 S *	8/2003	Andre	D13/110
D479,823 S *	9/2003	Andre	D13/110
D519,922 S *	5/2006	Andre	D13/110
D552,036 S *	10/2007	Holland	D13/138.1
D652,380 S *	1/2012	Chen	D13/110
D657,743 S *	4/2012	Andre	D13/110
D658,123 S *	4/2012	Andre	D13/110
D658,582 S *	5/2012	Looi	D13/110
D660,229 S *	5/2012	Tseng	D13/110

D661,649 S *	6/2012	Andre	D13/110
D662,473 S *	6/2012	Andre	D13/110
D685,737 S *	7/2013	de Jong	D13/119
D687,377 S *	8/2013	Huang	D13/108
D694,183 S *	11/2013	Matsuoka	D13/110
D704,135 S *	5/2014	Stewart	D13/108
D708,131 S *	7/2014	Miller	H02J 7/0042 D13/108
D711,824 S *	8/2014	Matsuoka	D13/110
D724,537 S *	3/2015	Moore	D13/119
D738,301 S *	9/2015	Symons	D13/107
D738,822 S *	9/2015	Stewart	D13/108
D740,224 S *	10/2015	Stewart	D13/108
D740,749 S *	10/2015	Stewart	D13/108
D746,773 S *	1/2016	Andre	D13/110
D762,173 S *	7/2016	Solomon	D13/110
D772,160 S *	11/2016	Roberts	D13/110
2014/0370742 A1 *	12/2014	Andre	F16C 11/04 439/501

* cited by examiner

Primary Examiner — Rosemary K Tarcza

Assistant Examiner — Christy Nemeth

(74) *Attorney, Agent, or Firm* — Prakash Nama; Global IP Services, PLLC

(57) **CLAIM**

The ornamental design for a charger, as shown.

DESCRIPTION

FIG. 1 is a front elevational view of a charger showing my new design;

FIG. 2 is a rear elevational view thereof;

FIG. 3 is a left side view thereof;

FIG. 4 is a right side view thereof;

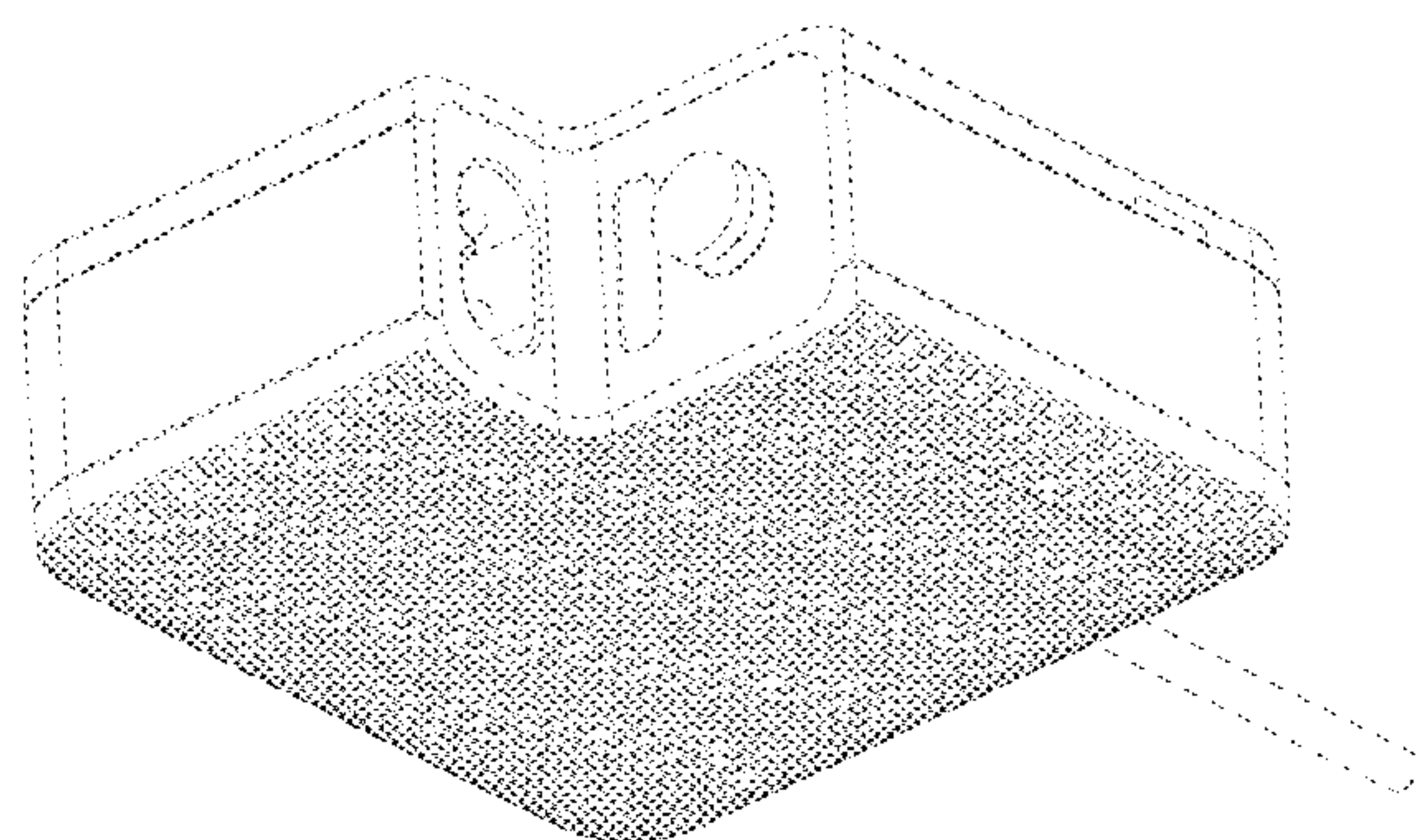
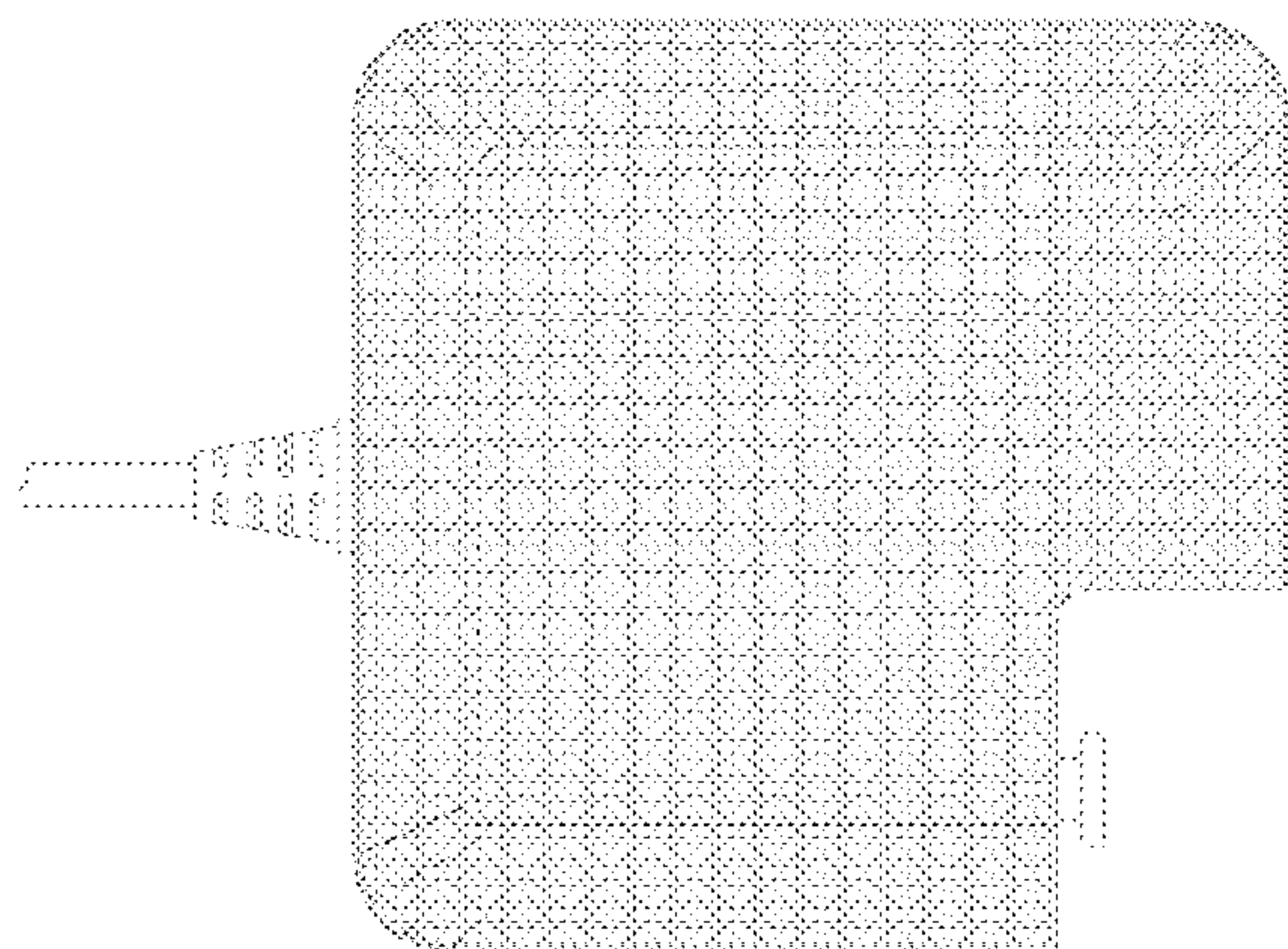
FIG. 5 is a top plan view thereof;

FIG. 6 is a bottom plan view thereof;

FIG. 7 is a perspective view thereof; and,

FIG. 8 is another perspective view thereof.

1 Claim, 3 Drawing Sheets



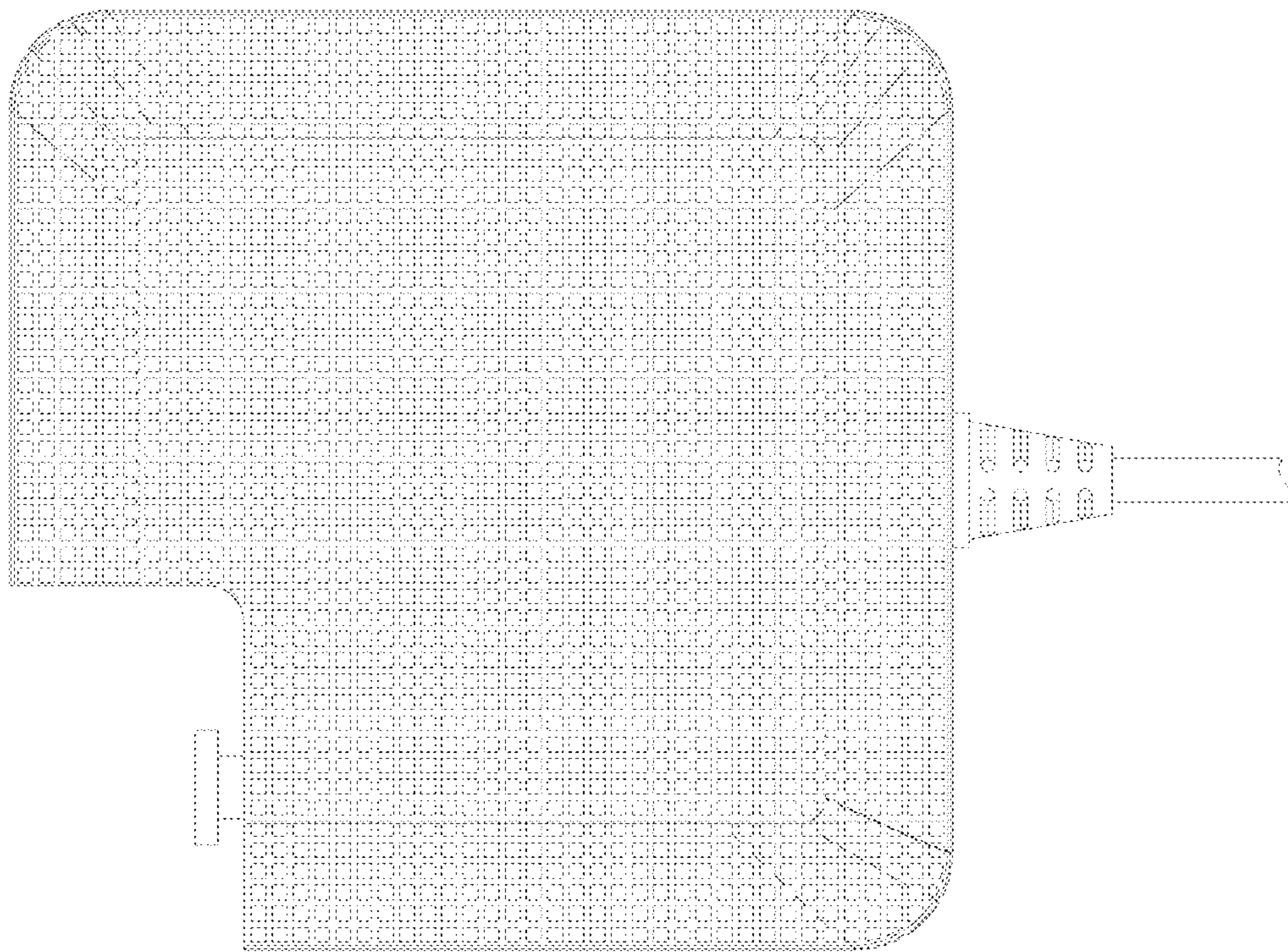


FIG. 1

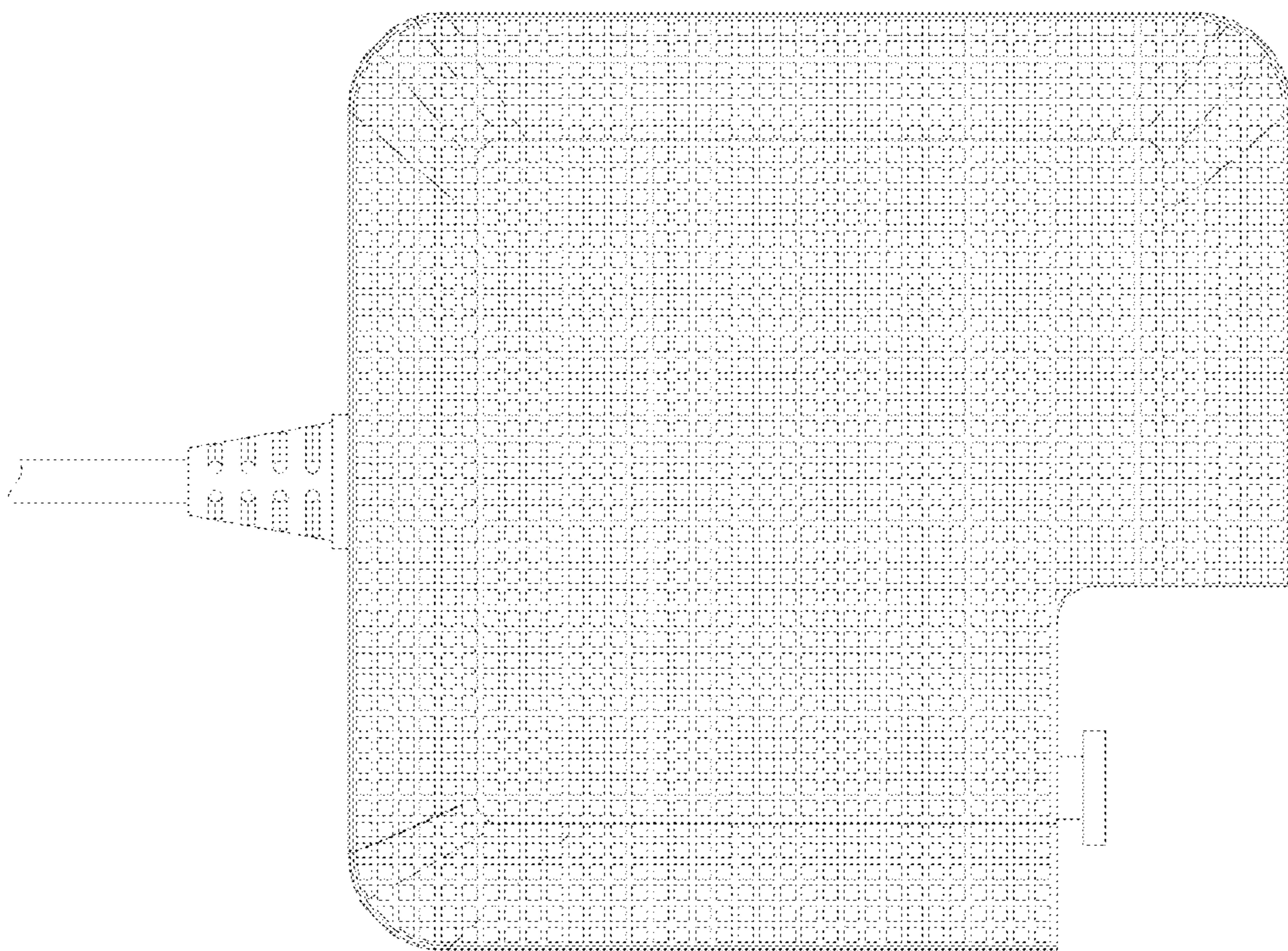


FIG. 2

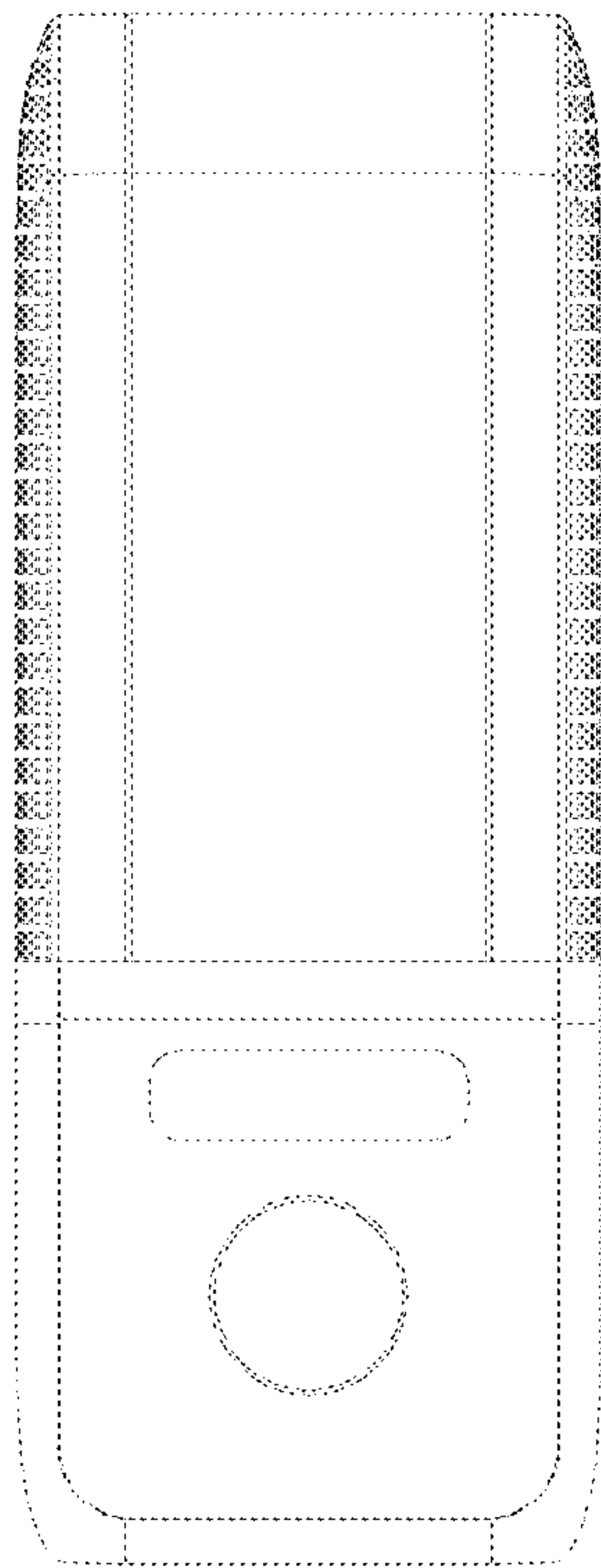


FIG. 3

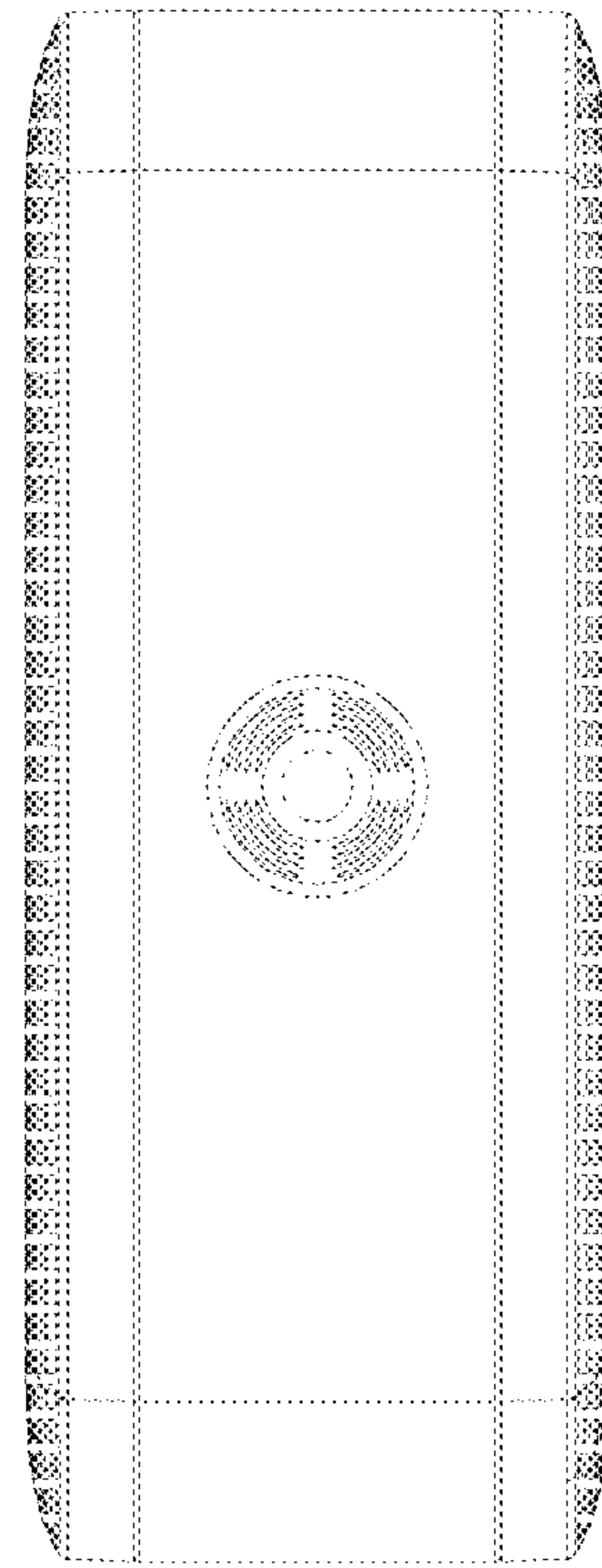


FIG. 4

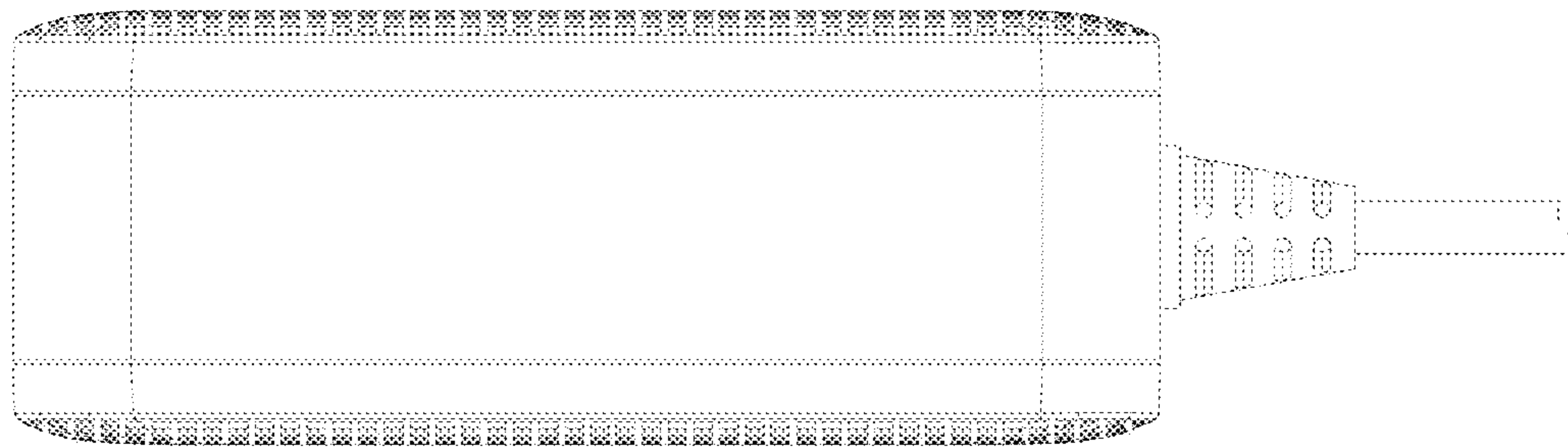


FIG. 5

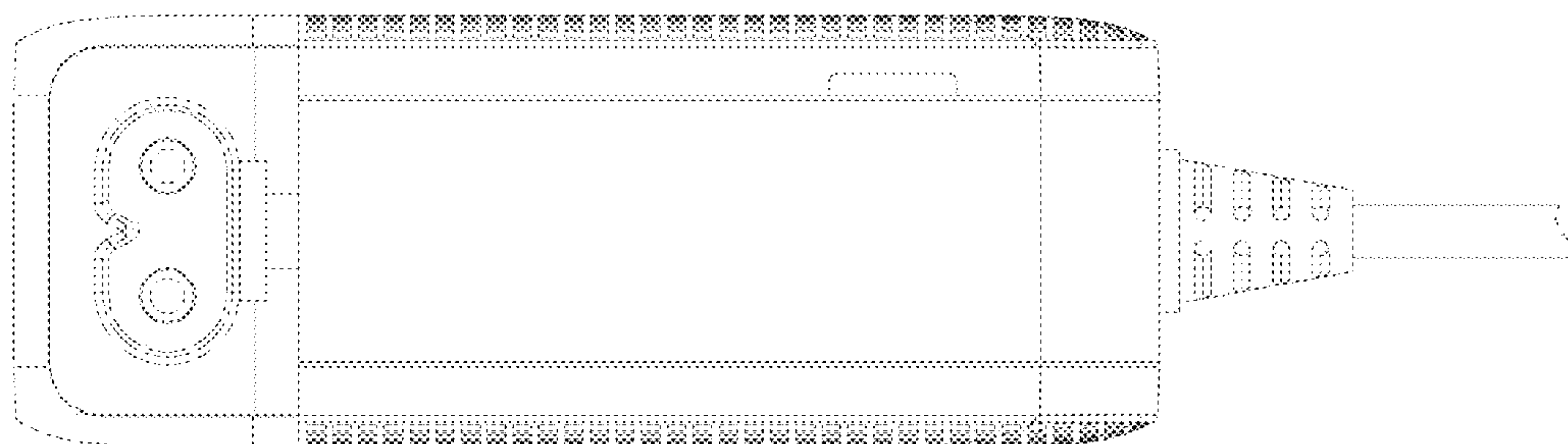


FIG. 6

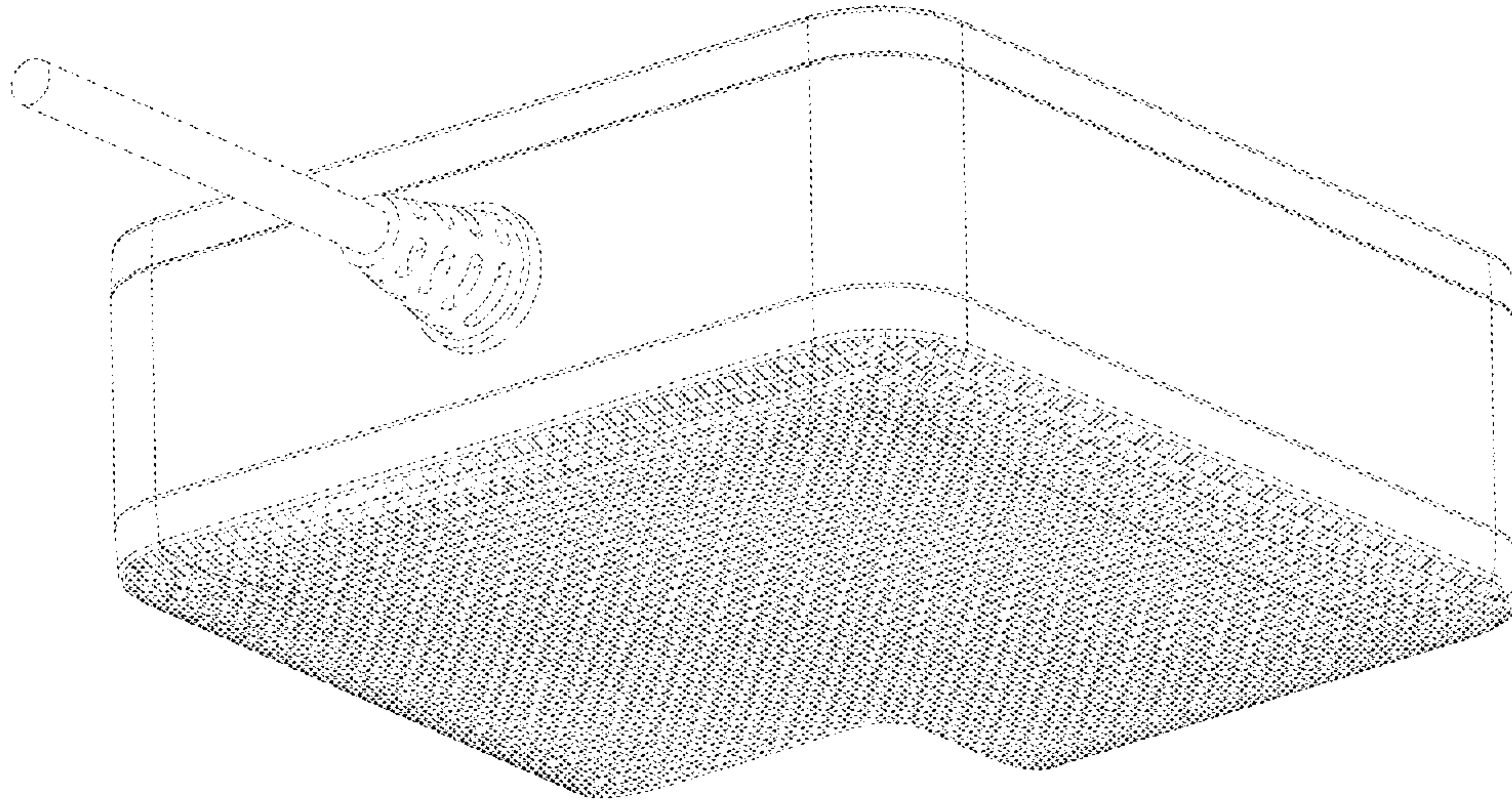


FIG. 7

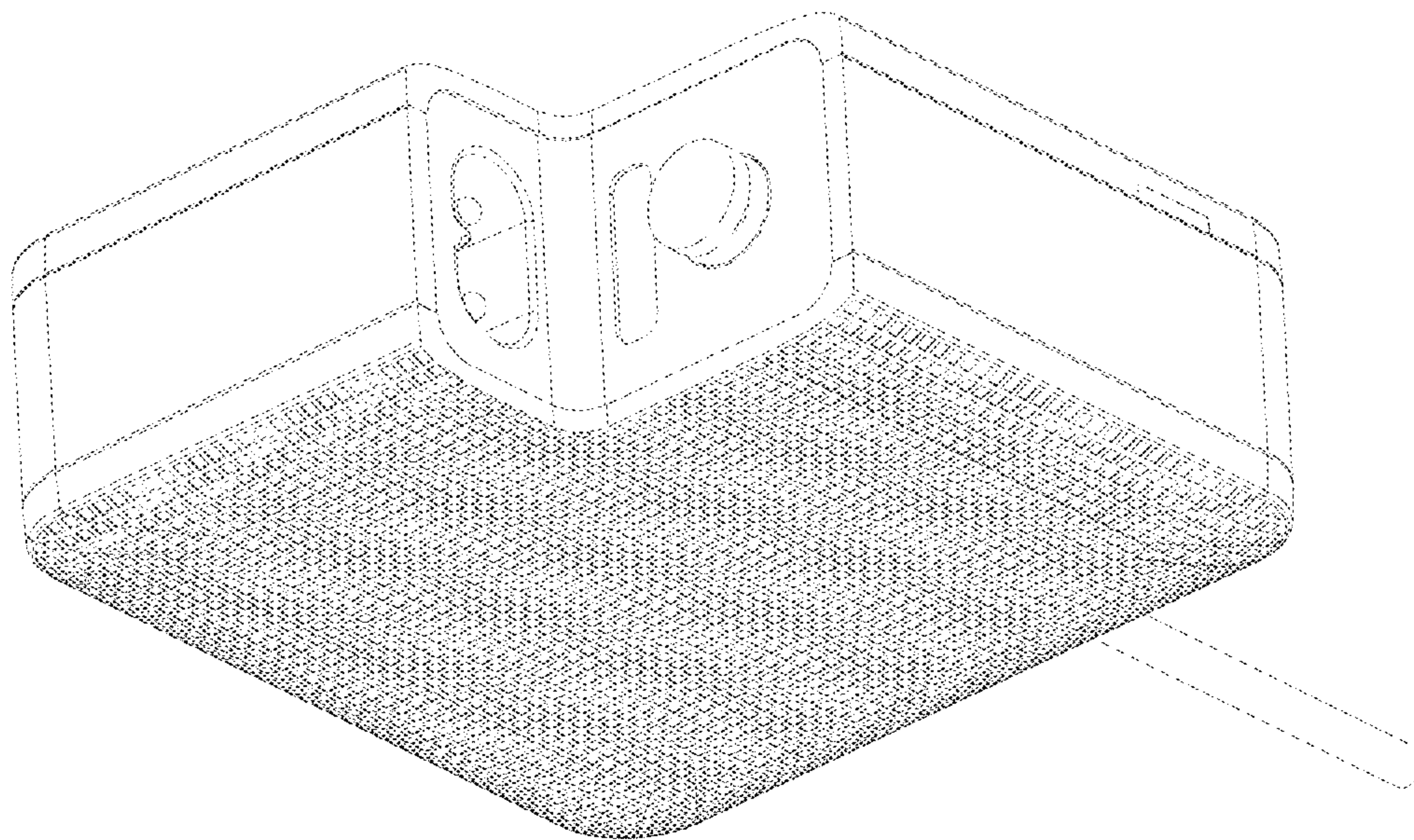


FIG. 8