



US00D784915S

(12) **United States Design Patent**  
**Koog**

(10) **Patent No.:** **US D784,915 S**

(45) **Date of Patent:** **\*\* Apr. 25, 2017**

(54) **TIRE TREAD**

(71) Applicant: **Hankook Tire Co., Ltd.**, Seoul (KR)

(72) Inventor: **Ha Eun Koog**, Seoul (KR)

(73) Assignee: **Hankook Tire Co., Ltd.**, Seoul (KR)

(\*\*) Term: **15 Years**

(21) Appl. No.: **29/555,876**

(22) Filed: **Feb. 25, 2016**

(30) **Foreign Application Priority Data**

Aug. 26, 2015 (KR) ..... 30-2015-0042989

(51) **LOC (10) Cl.** ..... **12-15**

(52) **U.S. Cl.**  
USPC ..... **D12/588**

(58) **Field of Classification Search**  
USPC ..... D12/568-604, 900  
CPC ..... B60C 1/0016; B60C 11/0306; B60C  
11/0302; B60C 3/06; B60C 9/17  
See application file for complete search history.

(56) **References Cited**

**U.S. PATENT DOCUMENTS**

D444,424 S *	7/2001	Habay	.....	D12/588
D555,080 S *	11/2007	Radulescu	.....	D12/587
D646,220 S *	10/2011	Tamura	.....	D12/600
D675,977 S *	2/2013	Bachtel	.....	D12/588
D686,145 S *	7/2013	Godin	.....	D12/600
D710,789 S *	8/2014	Koog	.....	D12/588
D712,342 S *	9/2014	Zhu	.....	D12/588
D712,343 S *	9/2014	Wakishima	.....	D12/588

D740,211 S *	10/2015	Parr	.....	D12/589
D749,038 S *	2/2016	Su	.....	D12/586
D751,494 S *	3/2016	Nobunaga	.....	D12/588

\* cited by examiner

*Primary Examiner* — Robert M Spear

*Assistant Examiner* — John Voytek

(74) *Attorney, Agent, or Firm* — Hamre, Schumann,  
Mueller & Larson, P.C.

(57) **CLAIM**

The ornamental design for a tire tread, as shown and described.

**DESCRIPTION**

FIG. 1 is a perspective view of a tire tread showing my new design, it being understood that the pattern is repeated uniformly throughout the circumference of the tread;

FIG. 2 is a front elevational view thereof, and a rear elevational view is an upside-down image of the front elevational view;

FIG. 2 is also a top plan view, and a bottom plan view is an upside-down image of the top plan view;

FIG. 3 is a left side view thereof;

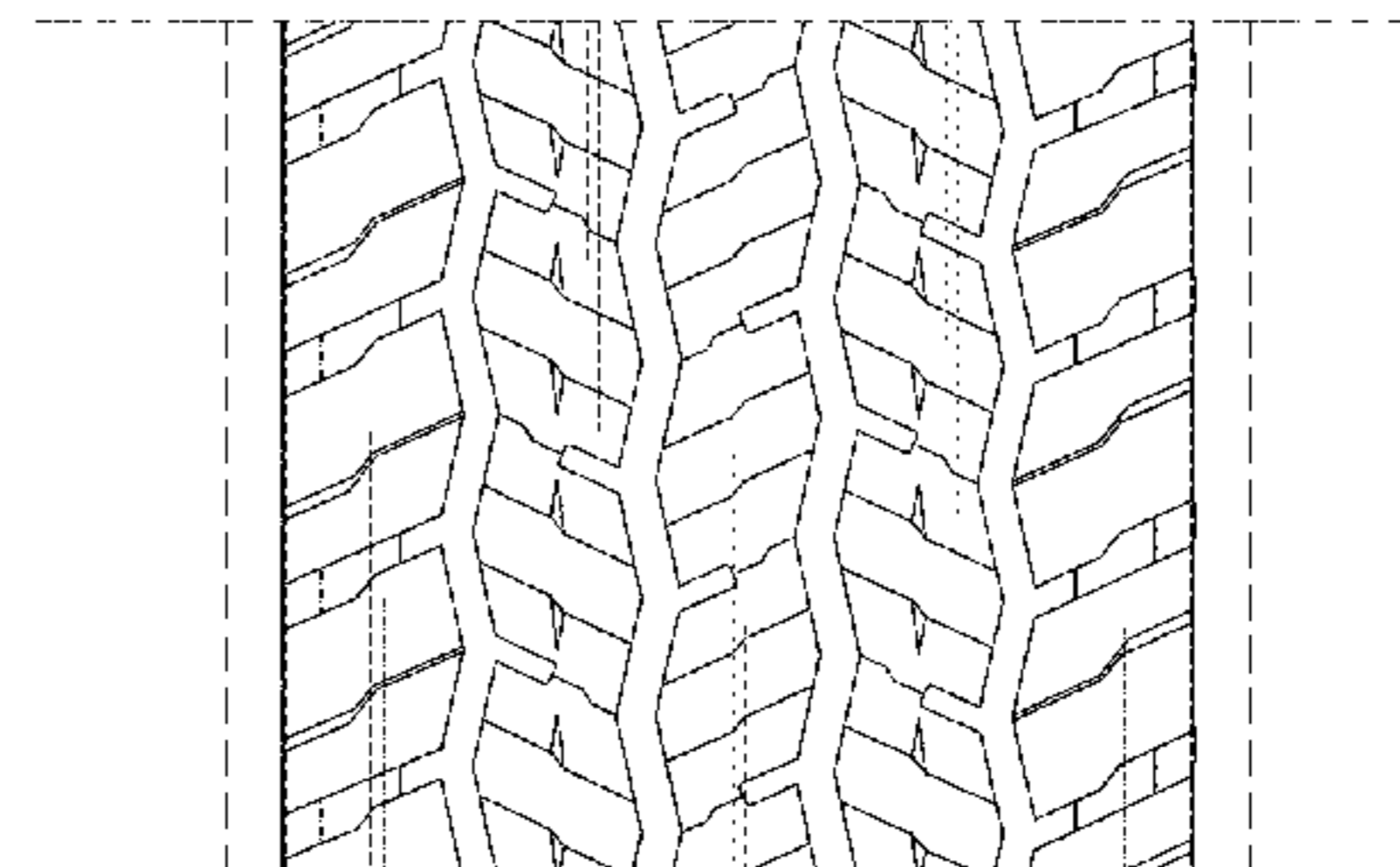
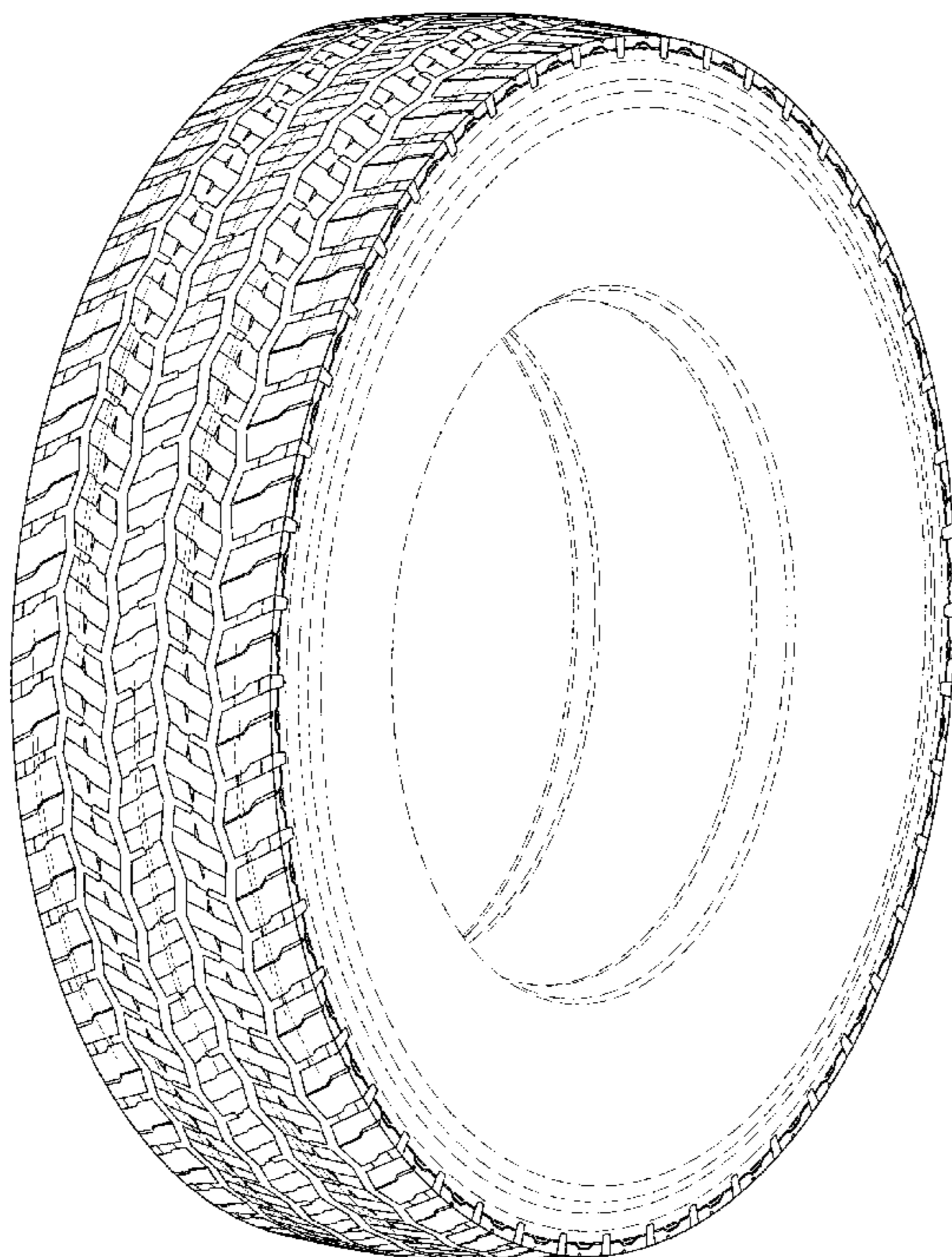
FIG. 4 is a right side view thereof;

FIG. 5 is an enlarged fragmentary view from upper 5-5 to lower 5-5 in FIG. 2; and,

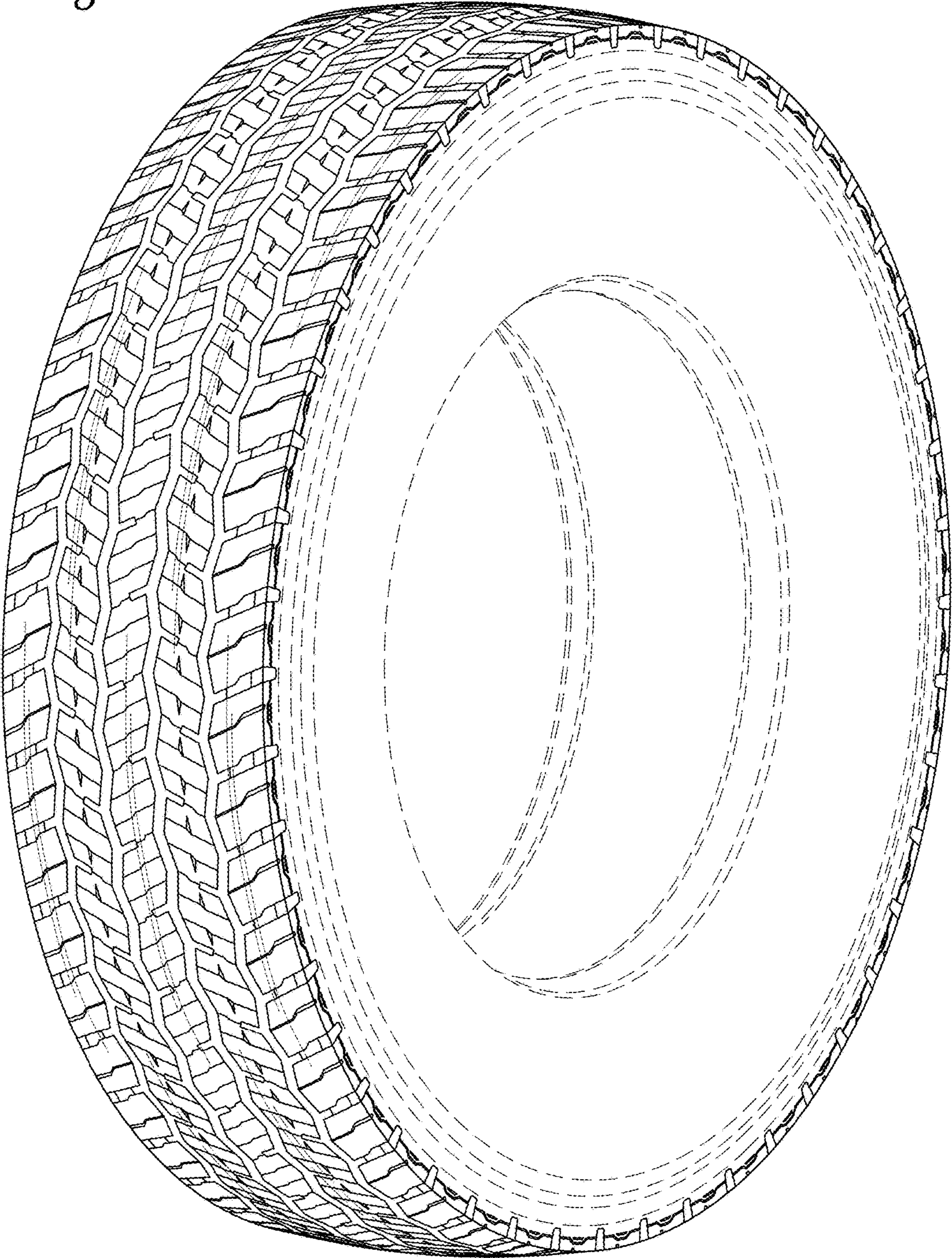
FIG. 6 is an enlarged fragmentary view from upper 6-6 to lower 6-6 in FIG. 2.

In the drawings, the broken lines depict environmental subject matter only and form no part of the claimed design.

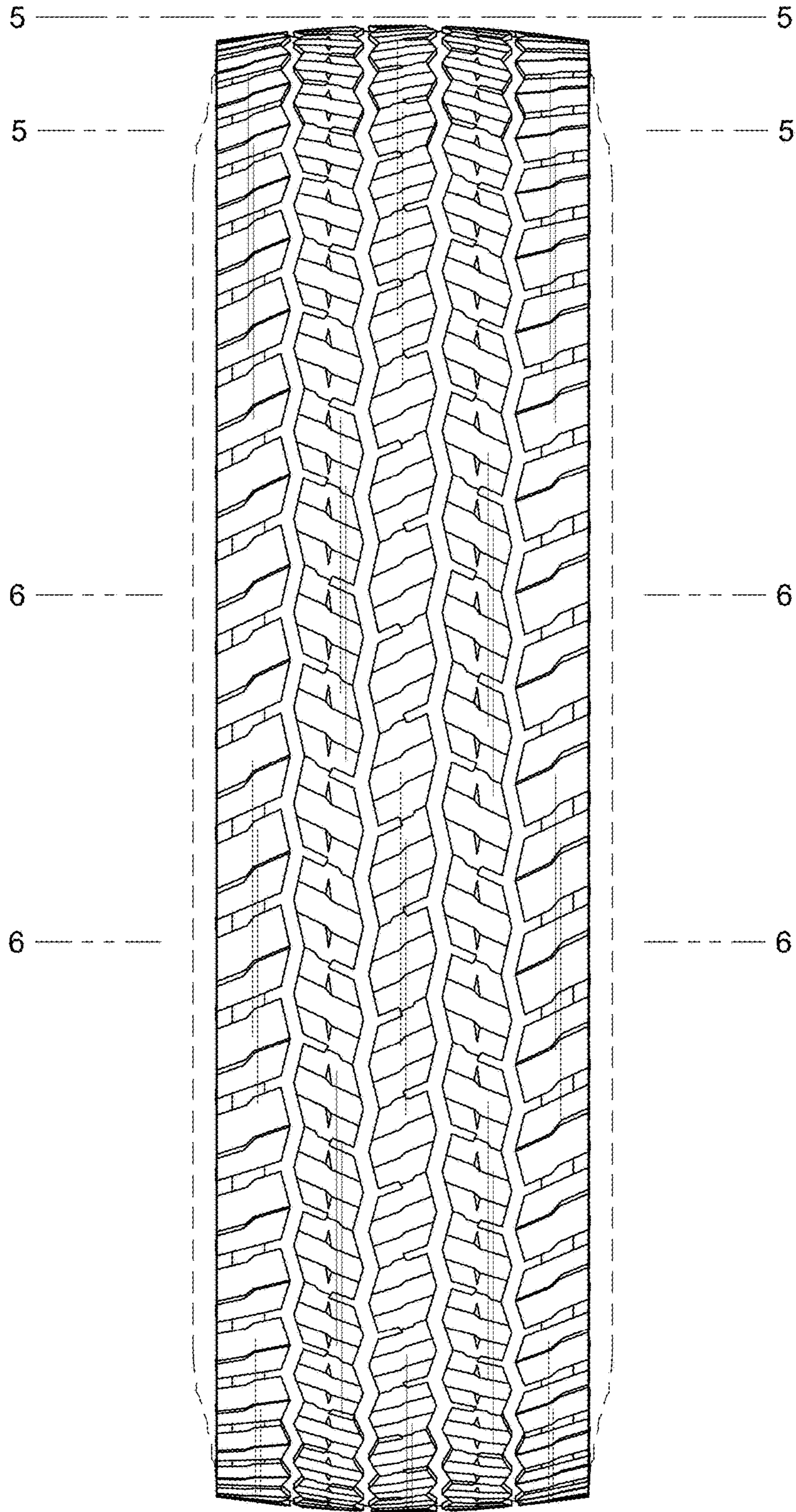
**1 Claim, 5 Drawing Sheets**



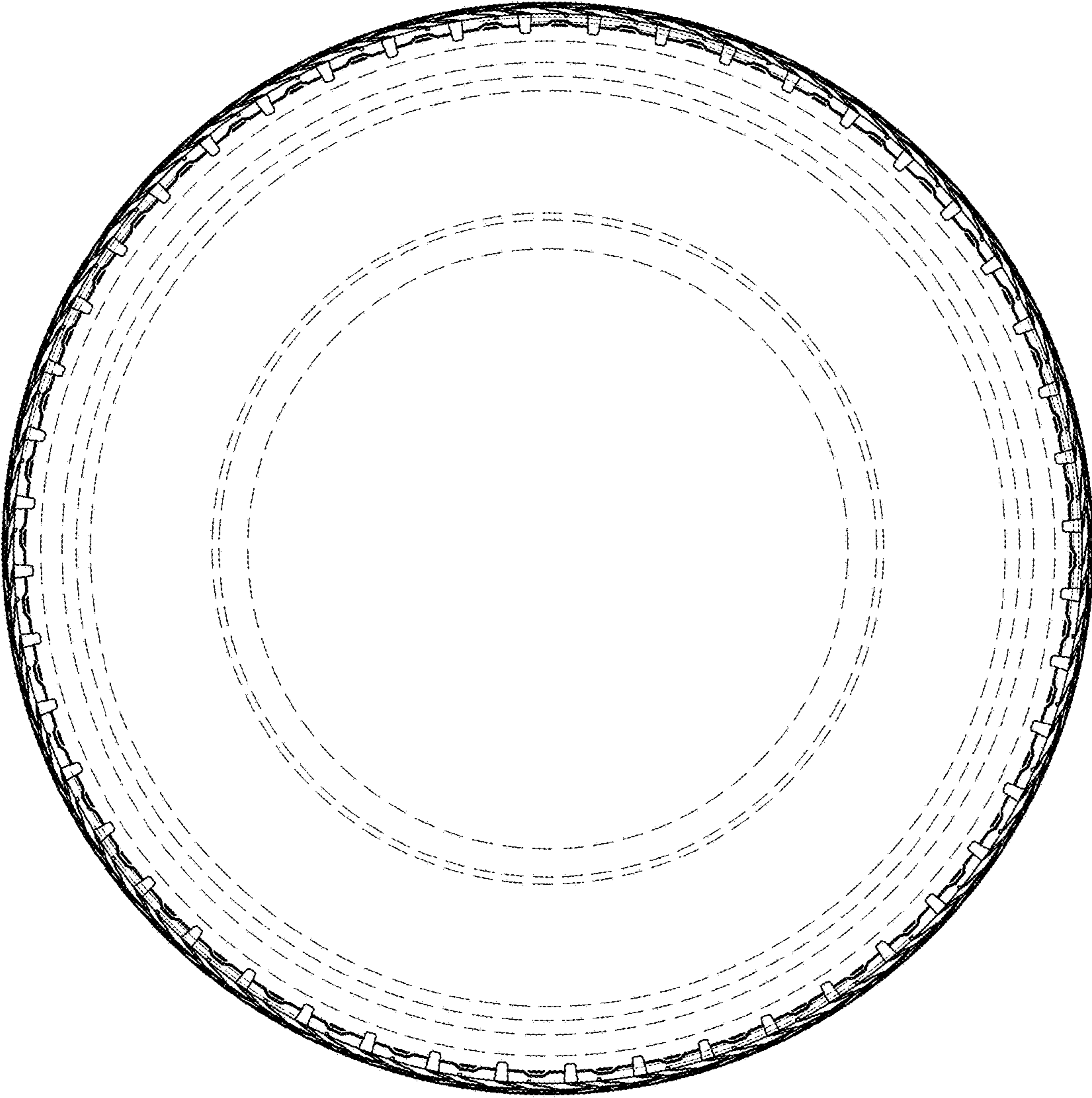
*Fig. 1*



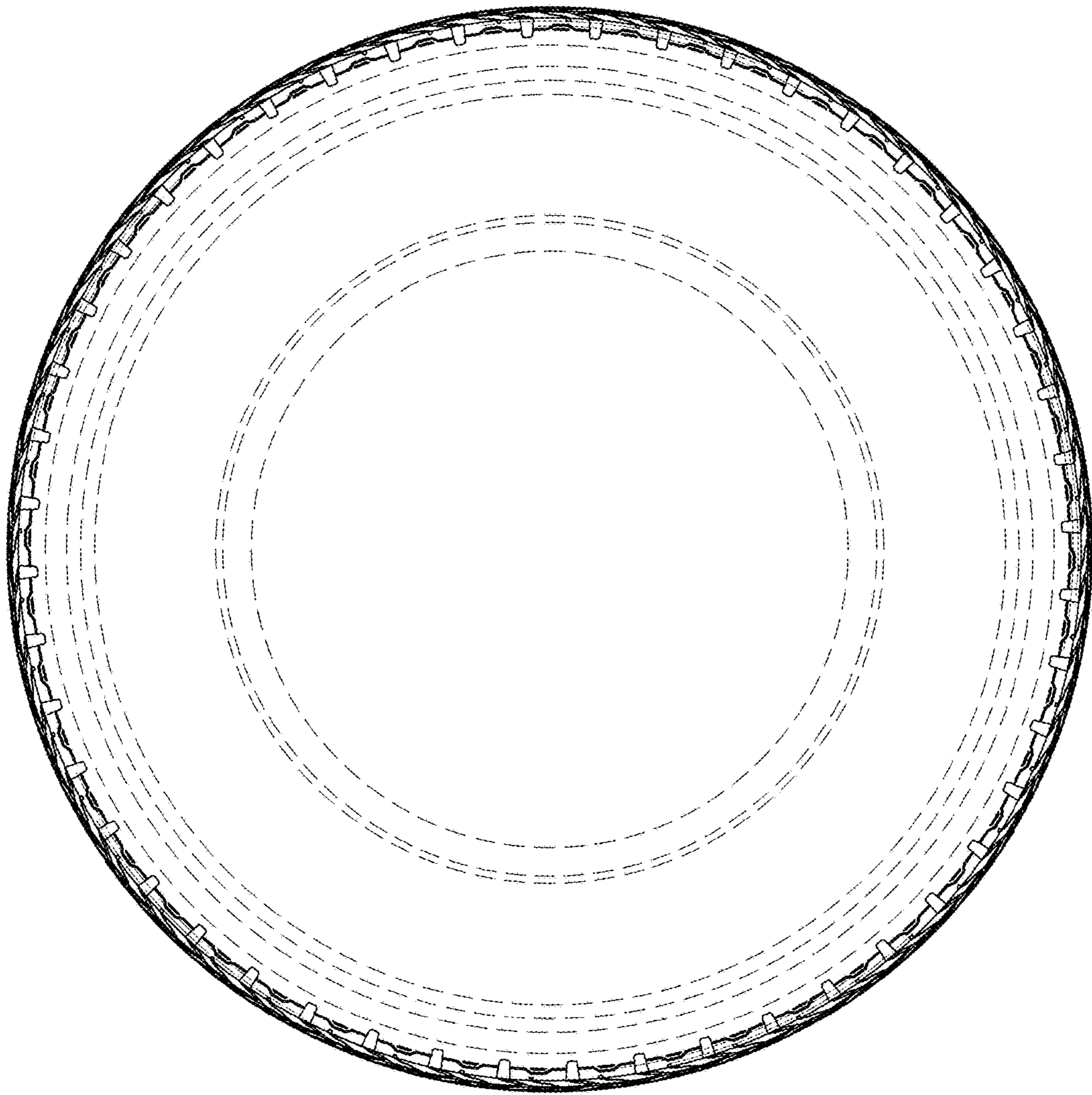
*Fig. 2*



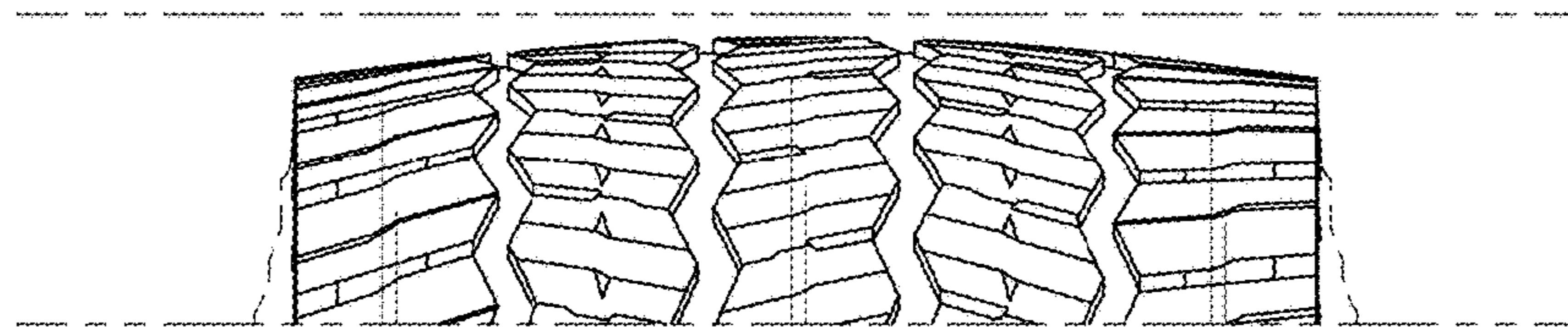
*Fig. 3*



*Fig. 4*



*Fig. 5*



*Fig. 6*

