



US00D784910S

(12) **United States Design Patent**
Hayashi

(10) **Patent No.:** **US D784,910 S**
(45) **Date of Patent:** **** Apr. 25, 2017**

(54) **TREAD PORTION OF AN AUTOMOBILE TIRE**

(71) Applicant: **BRIDGESTONE CORPORATION**,
Chuo-ku, Tokyo (JP)

(72) Inventor: **Shintaro Hayashi**, Chuo-ku (JP)

(73) Assignee: **BRIDGESTONE CORPORATION**,
Chuo-ku, Tokyo (JP)

(**) Term: **15 Years**

(21) Appl. No.: **29/548,064**

(22) Filed: **Dec. 10, 2015**

(30) **Foreign Application Priority Data**

Jun. 12, 2015 (JP) 2015-013141

(51) **LOC (10) Cl.** **12-15**

(52) **U.S. Cl.**
USPC **D12/521**

(58) **Field of Classification Search**
USPC 152/5, 151, 152.1, 167, 208,
152/209.1-209.28, 246, 450, 526, 527,
152/532, 535, 538, 541; D12/145,
D12/500-605, 900-901
CPC B60C 11/00; B60C 2011/0337; B60C
2011/0339; B60C 2011/0386; B60C 3/00;
B60C 3/08; B60C 1/00; B60C 2200/00;
B60C 2200/02; B60C 2200/04; B60C
2200/06; B60C 2200/065; B60C 2200/08;
B60C 2200/10; B60C 2200/12; B60C
2200/14; B60C 7/00; B60C 7/02; B60C
7/04; B60C 7/06; B60C 7/08; B60C 5/00;
B60C 13/00

See application file for complete search history.

(56) **References Cited**

U.S. PATENT DOCUMENTS

D432,956 S * 10/2000 Ricquet D12/521
D432,957 S * 10/2000 Ricquet D12/521

D525,186 S * 7/2006 Martin D12/521
D579,855 S * 11/2008 Fontaine D12/521
D593,931 S * 6/2009 Fontaine D12/521
D609,627 S * 2/2010 Frappart D12/523
D628,951 S 12/2010 Frappart et al.
D638,348 S * 5/2011 Harvey D12/521
D639,720 S * 6/2011 Harvey D12/521
D644,593 S * 9/2011 Fontaine D12/523
D647,040 S 10/2011 Mathonet et al.
D655,239 S * 3/2012 Zhao D12/521
D659,075 S * 5/2012 Harvey D12/521
D659,633 S * 5/2012 Bindner D12/521

(Continued)

OTHER PUBLICATIONS

Japanese Office Action in counterpart Japanese design application No. 2015-013141, dated Oct. 27, 2015.

Primary Examiner — Manpreet Matharu

Assistant Examiner — Keith Wilson

(74) *Attorney, Agent, or Firm* — Sughrue Mion, PLLC

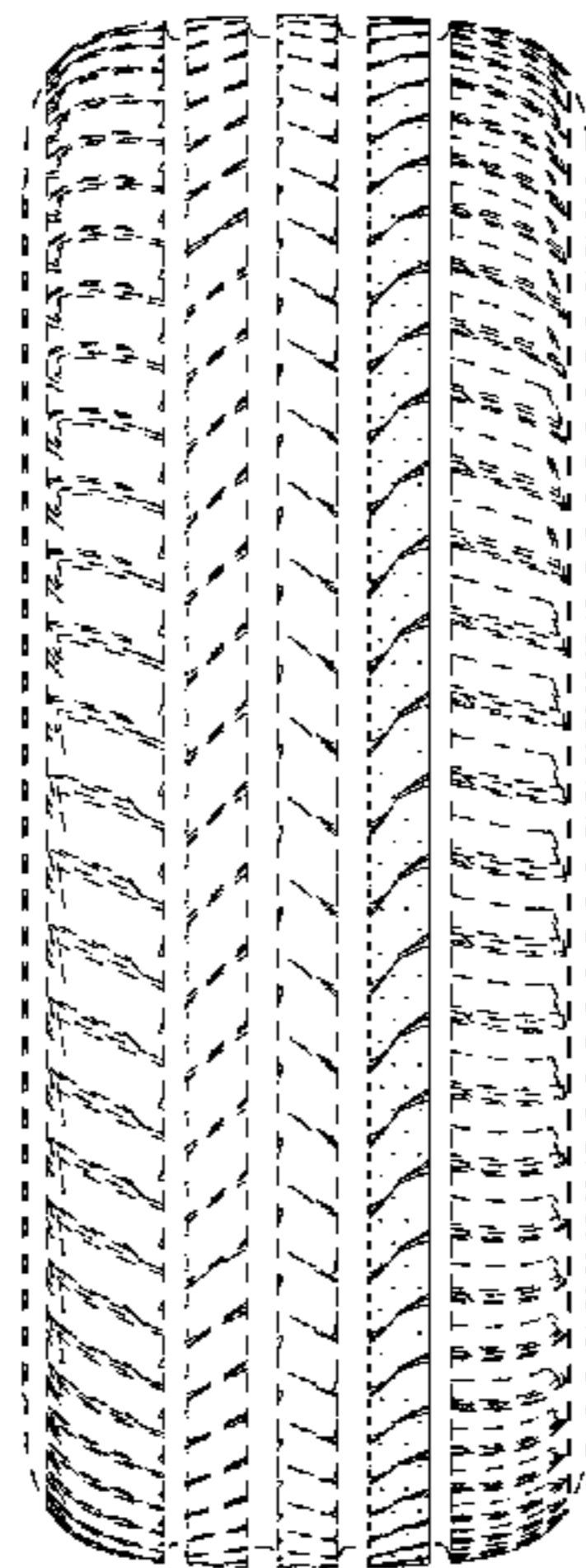
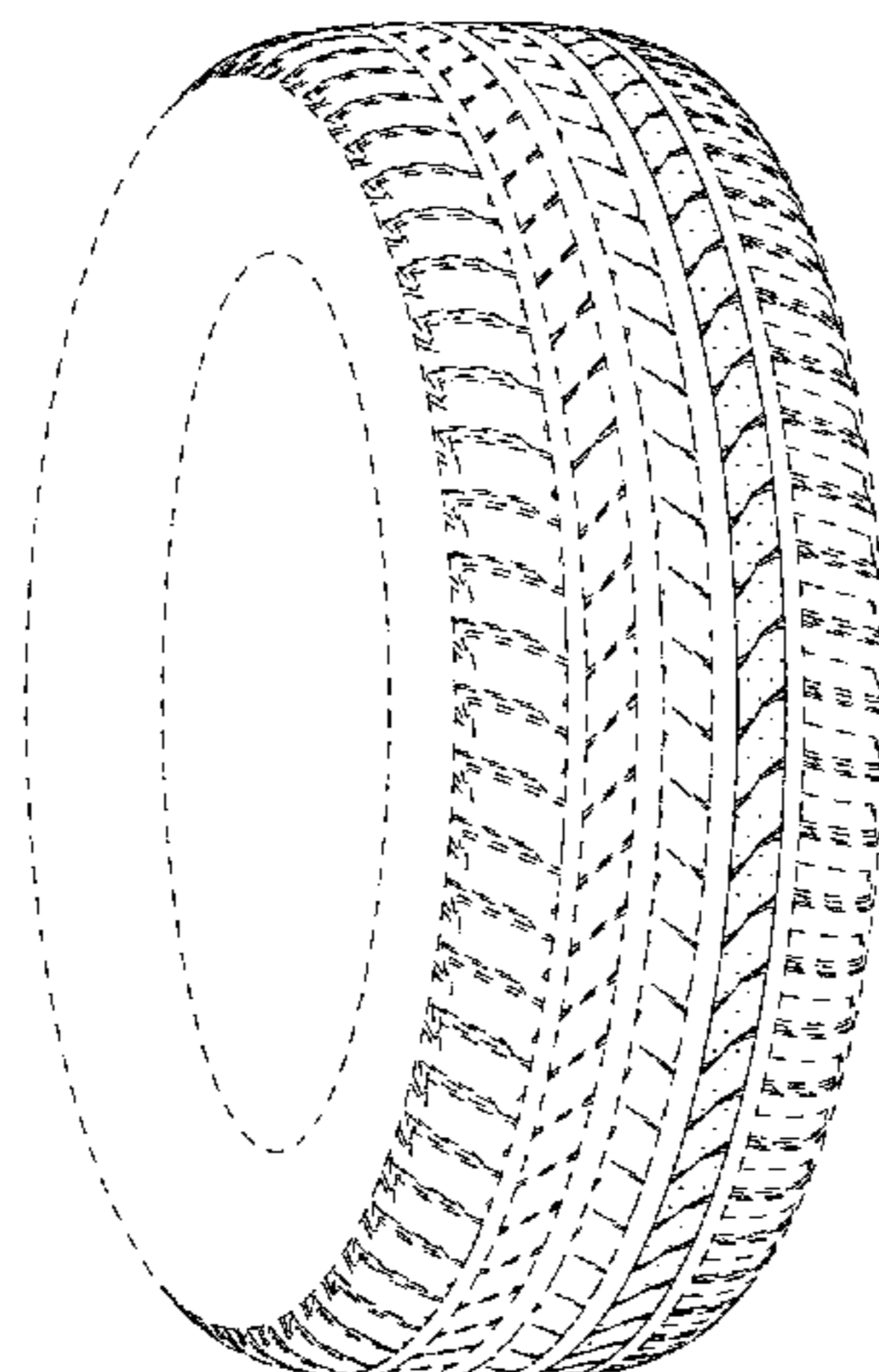
(57) **CLAIM**

The ornamental design for a tread portion of an automobile tire, as shown and described.

DESCRIPTION

FIG. 1 is a perspective view of a tread portion of an automobile tire showing my design;
FIG. 2 is a front view thereof;
FIG. 3 is a top view thereof;
FIG. 4 is a right side view thereof;
FIG. 5 is a left side view thereof;
FIG. 6 is a fragmentary enlarged front view showing the details of the tread portion thereof; and,
FIG. 7 is a section view taken along line 7-7 in FIG. 6.
The broken lines in the drawings are intended to show portions of the tire that are not being claimed, and thus form no part of the claimed design.

1 Claim, 7 Drawing Sheets



(56)

References Cited

U.S. PATENT DOCUMENTS

D669,024	S *	10/2012	Oji	D12/590
D709,434	S *	7/2014	Kato	D12/521
D713,325	S *	9/2014	Maxwell	D12/521
D713,326	S *	9/2014	Fontaine	D12/532
D721,635	S *	1/2015	Lucas	D12/524
D721,641	S *	1/2015	Sieber	D12/588
D733,635	S *	7/2015	Digman	D12/521
D737,751	S *	9/2015	Bourel	D12/521
D753,584	S *	4/2016	Mathis	D12/605
2016/0082780	A1 *	3/2016	Nagahara	B60C 11/042 152/209.18
2016/0144665	A1 *	5/2016	Koishikawa	B60C 11/0306 152/209.1

* cited by examiner

FIG. 1

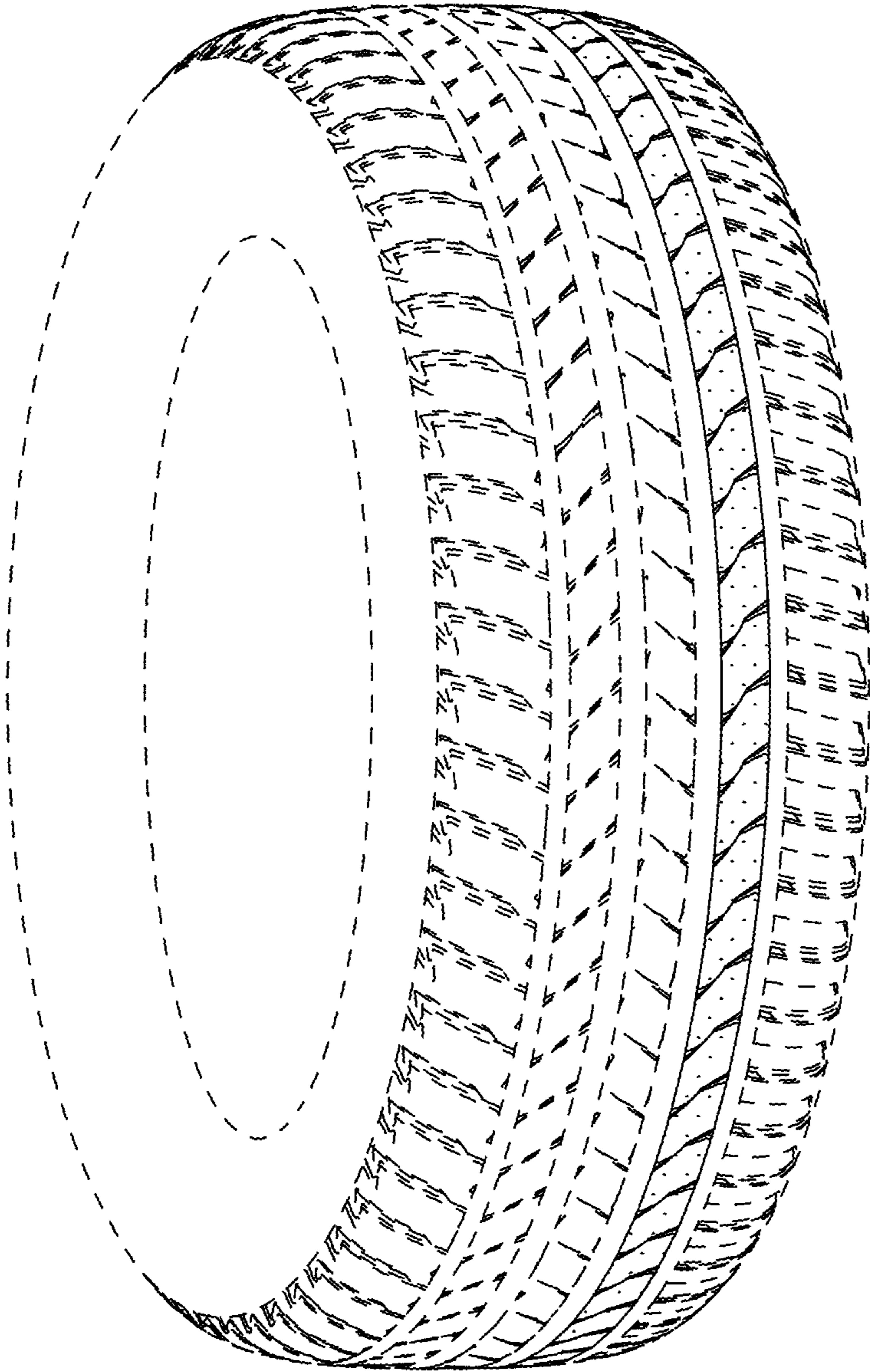


FIG. 2

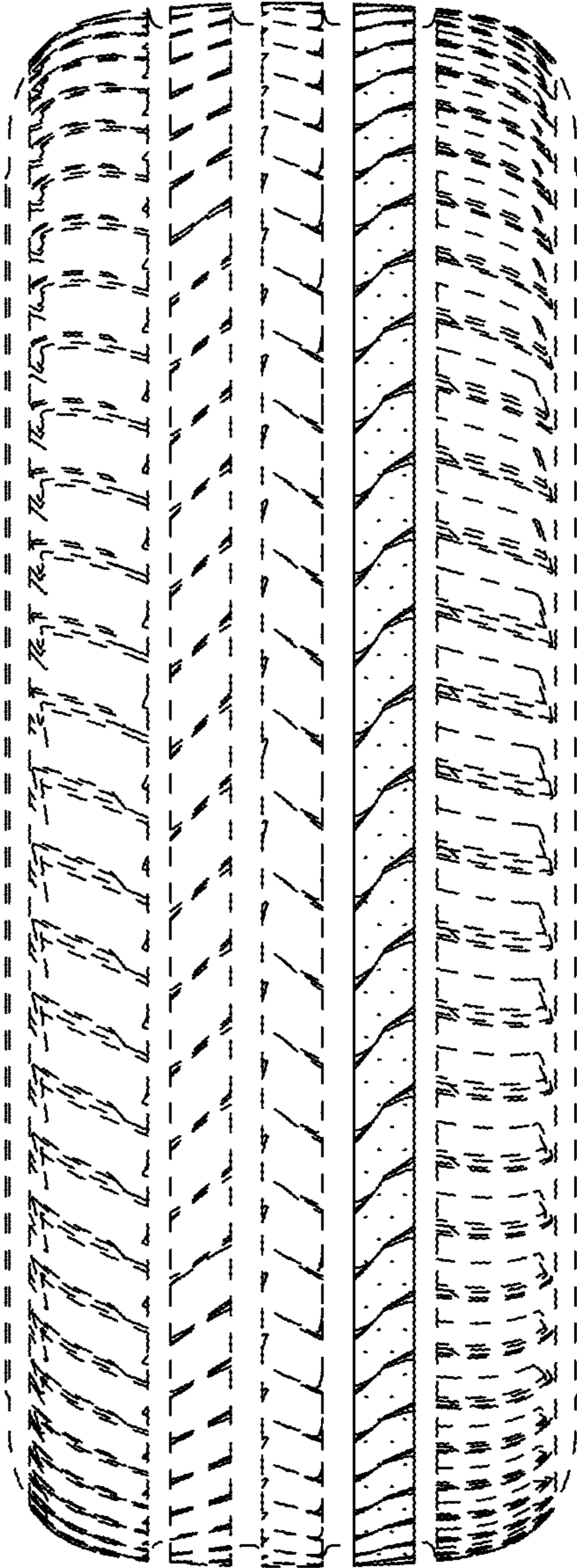


FIG. 3

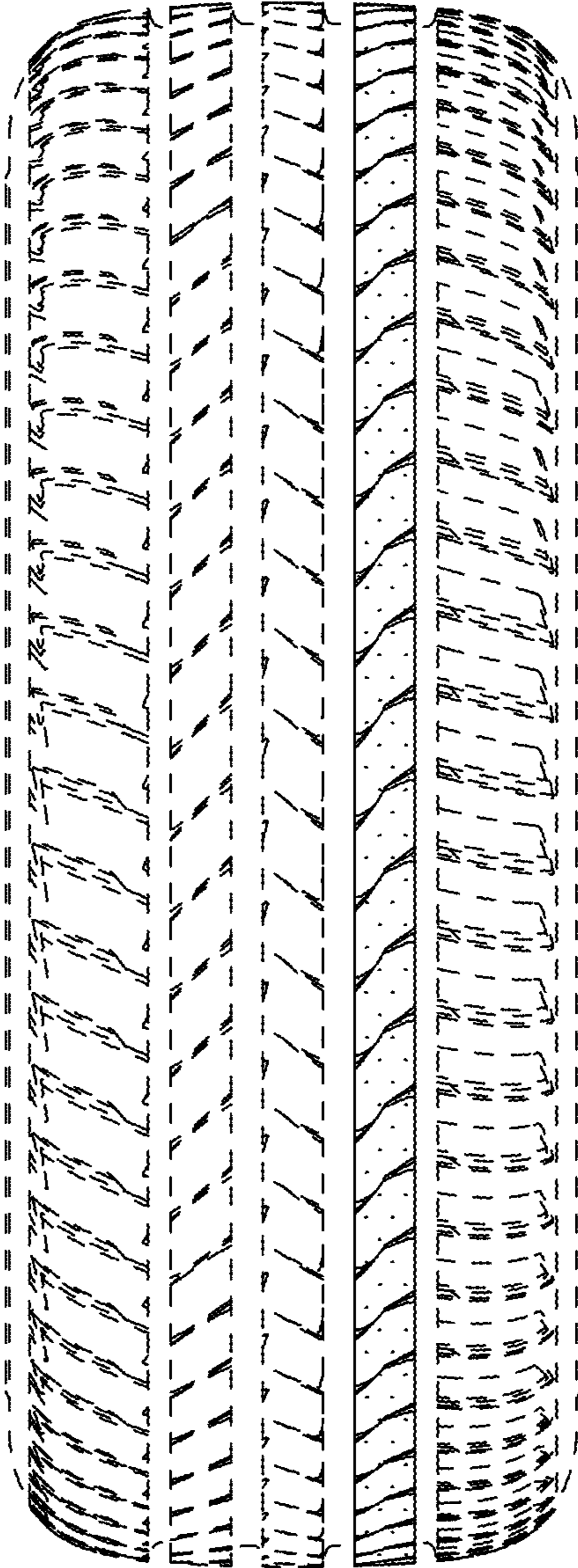


FIG. 4

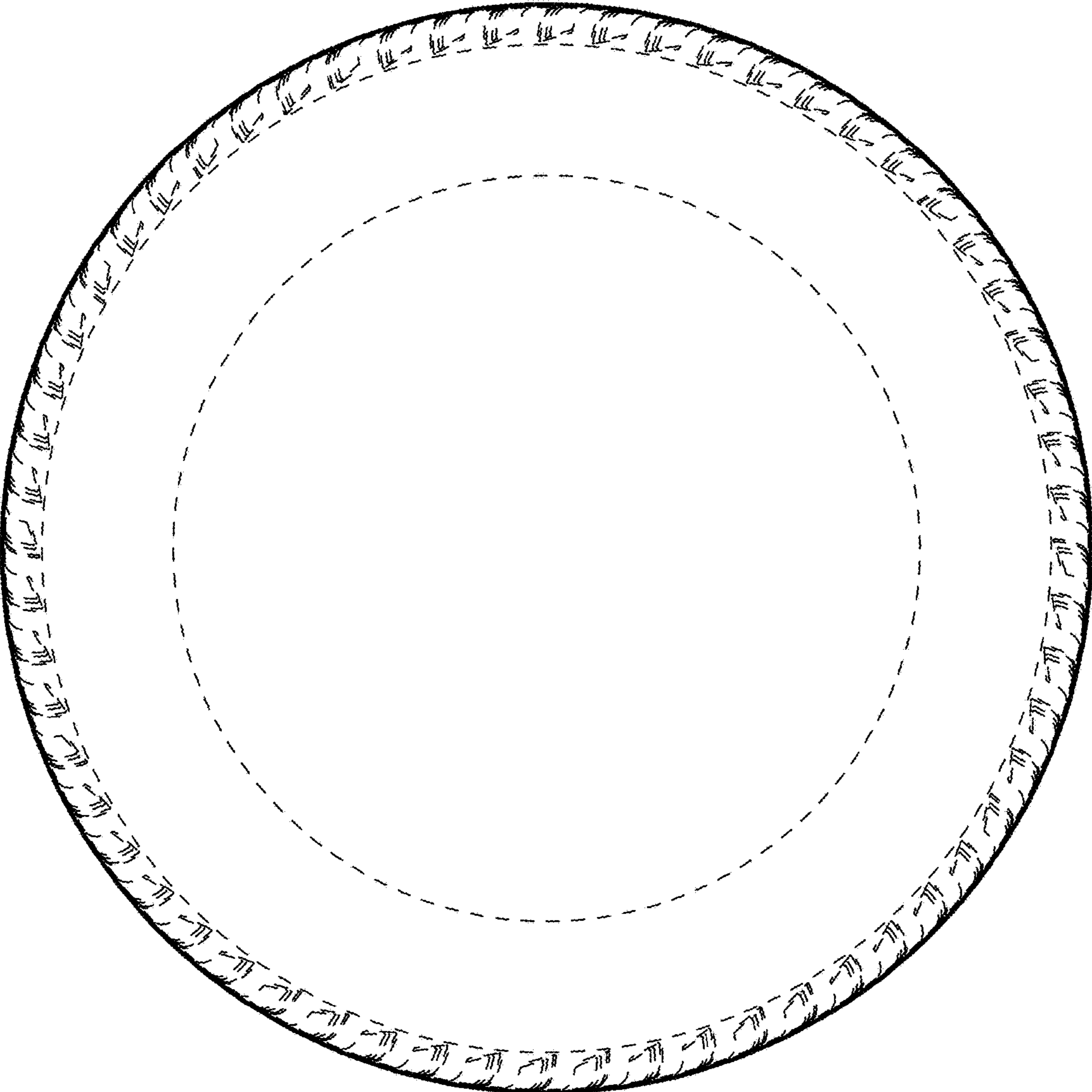


FIG. 5

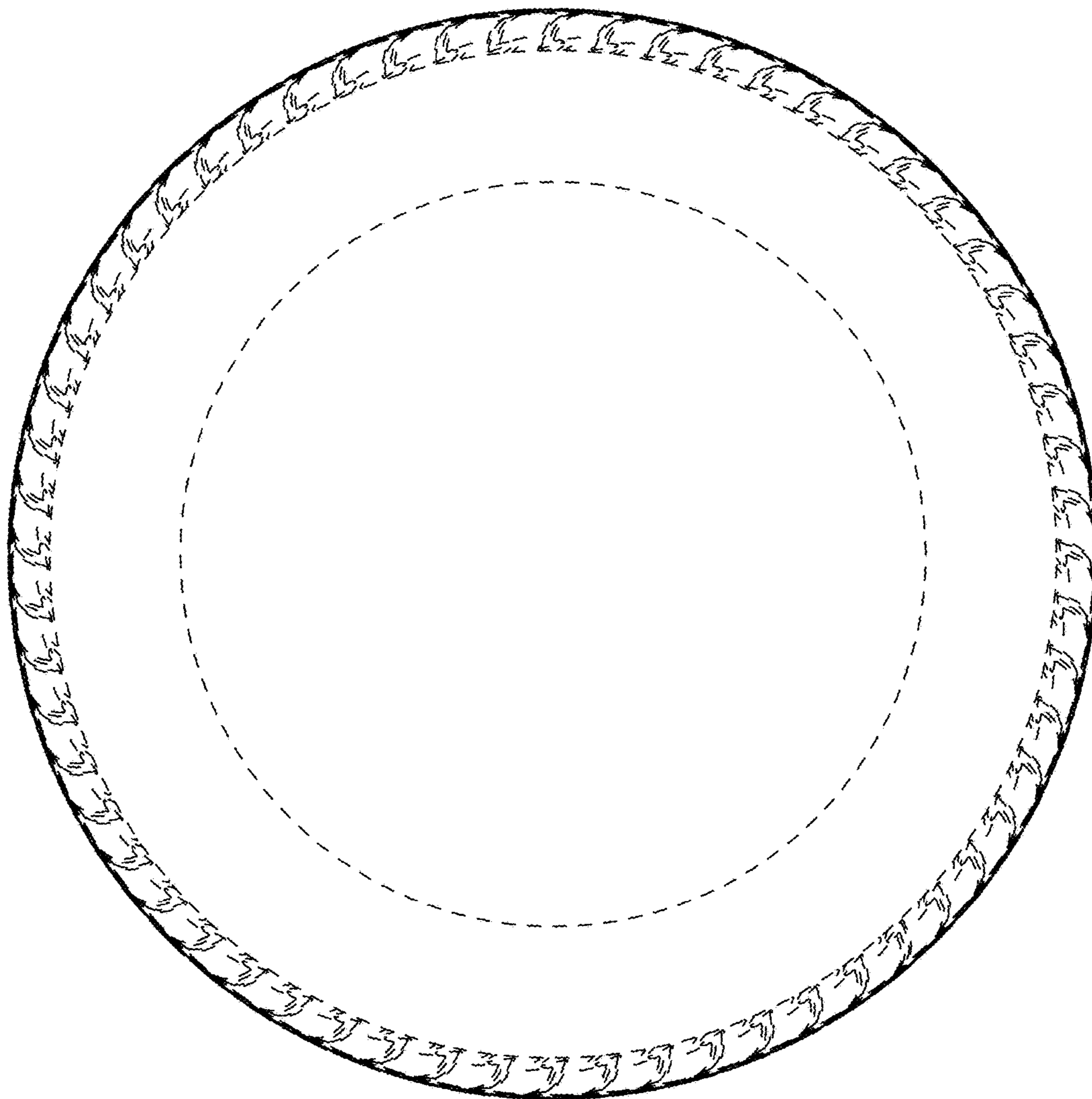


FIG. 6

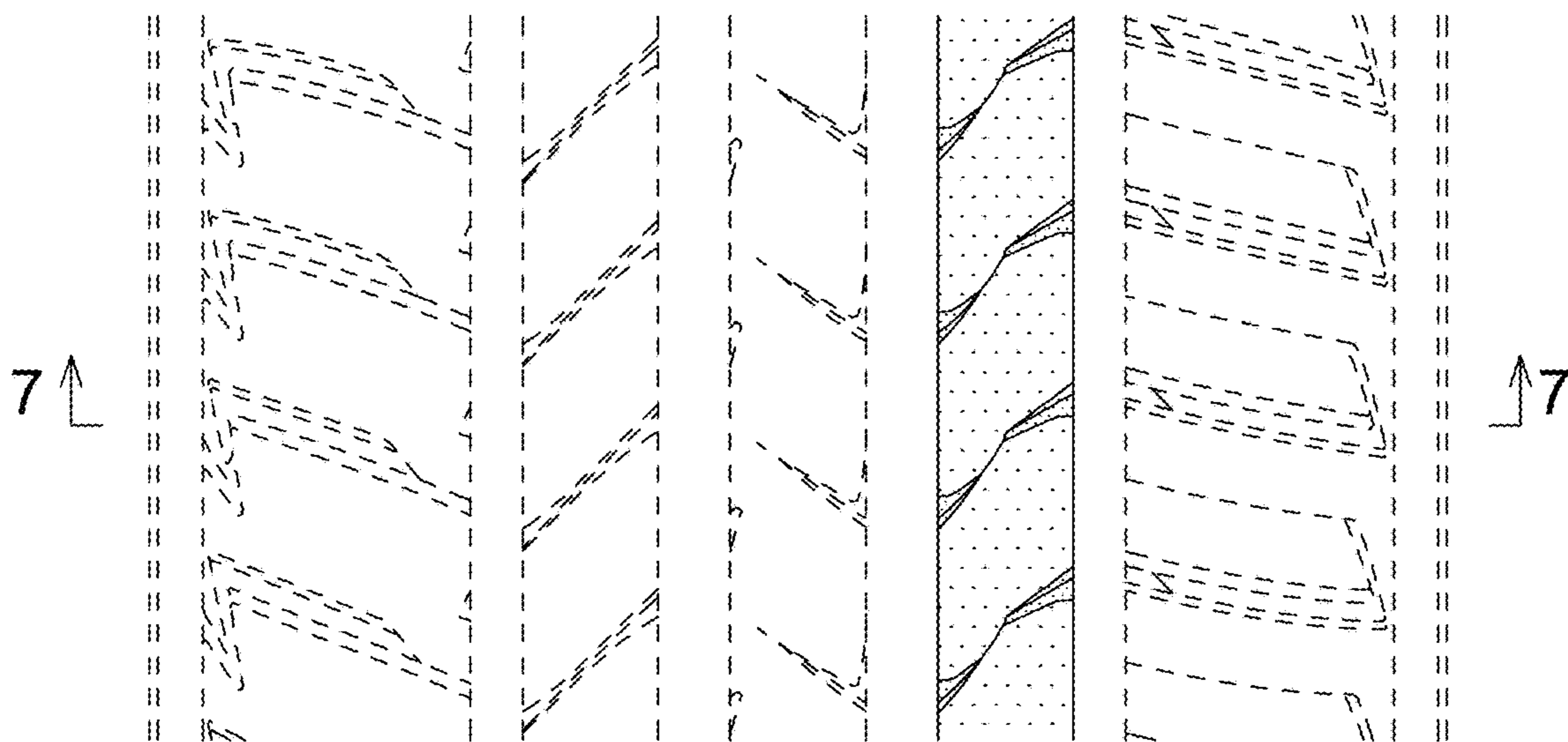


FIG. 7

