



US00D784909S

(12) **United States Design Patent** (10) **Patent No.:** **US D784,909 S**
Lee et al. (45) **Date of Patent:** **** Apr. 25, 2017**

- (54) **AUTOMOBILE CONSOLE**
- (71) Applicant: **Bentley Motors Limited**, Cheshire (GB)
- (72) Inventors: **Sang Yup Lee**, Chester (GB); **Luc Donckerwolke**, Cheshire (GB)
- (73) Assignee: **Bentley Motors Limited**, Cheshire (GB)
- (**) Term: **15 Years**
- (21) Appl. No.: **29/556,515**
- (22) Filed: **Mar. 1, 2016**
- (51) **LOC (10) Cl.** **12-16**
- (52) **U.S. Cl.**
USPC **D12/419**
- (58) **Field of Classification Search**
USPC D12/415-420, 400, 191, 106, 195, 345, D12/96, 99
CPC B60R 7/04; B60R 7/08
See application file for complete search history.

- D766,812 S * 9/2016 Kabata D12/423
D770,361 S * 11/2016 Chan D12/419
D770,968 S * 11/2016 Willis D12/415

* cited by examiner

Primary Examiner — Katrina A Betton
(74) *Attorney, Agent, or Firm* — Tarolli, Sundheim, Covell & Tummino LLP; John A. Yirga, Esq.

(57) **CLAIM**

The ornamental design for an automobile console, as shown and described.

DESCRIPTION

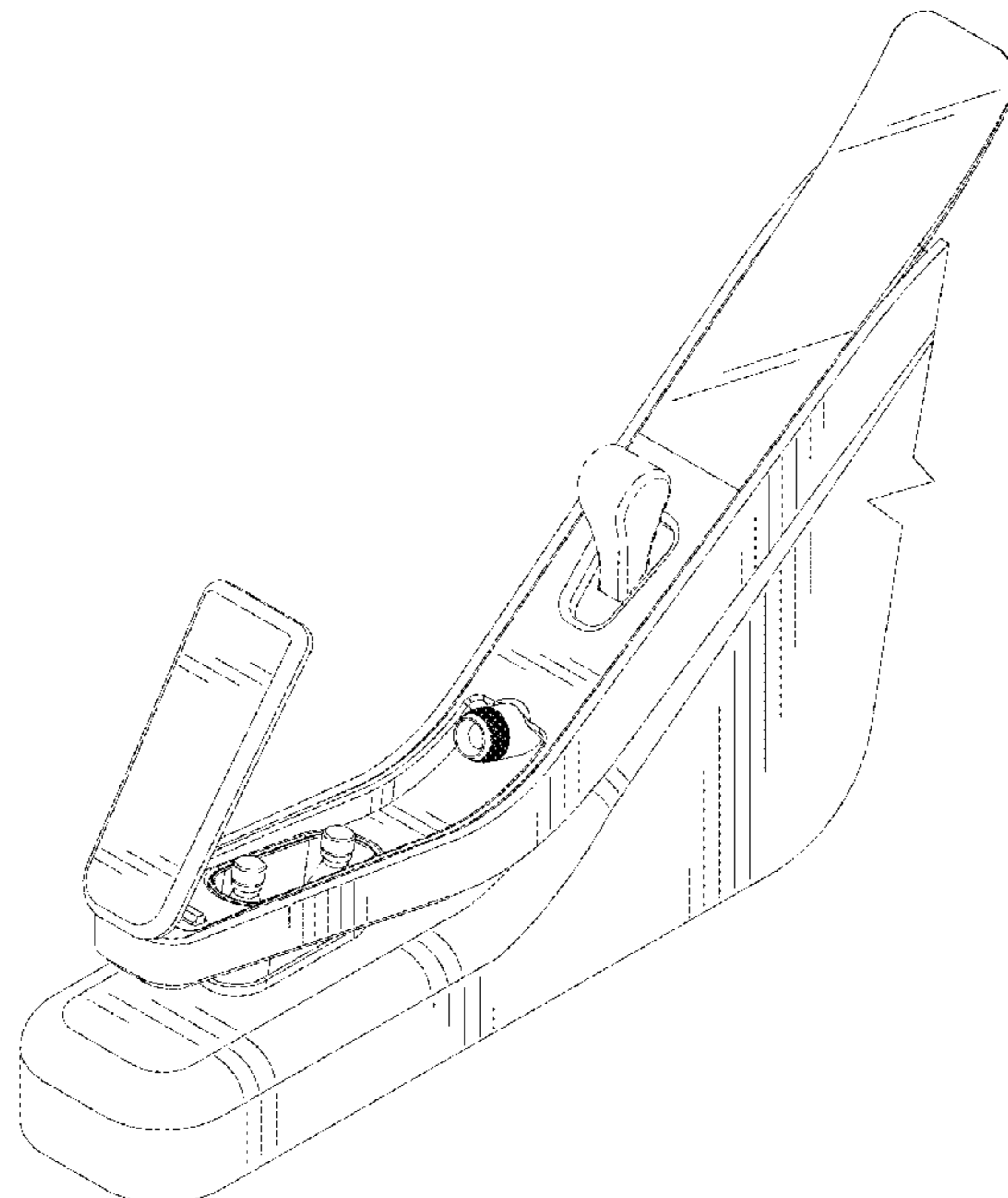
FIG. 1 is a perspective view of an automobile console in accordance with the present disclosure in a first usage environment with an armrest closed;
FIG. 2 is a front elevation view thereof;
FIG. 3 is a left side elevation view thereof;
FIG. 4 is an exploded perspective view thereof;
FIG. 5 is a perspective view in a second usage environment with the armrest open;
FIG. 6 is a front elevation view thereof;
FIG. 7 is a left side elevation view thereof;
FIG. 8 is an exploded perspective view thereof;
FIG. 9 is an exploded section perspective view of FIG. 4 along section lines 9-9; and,
FIG. 10 is an exploded section perspective view of FIG. 4 along section lines 10-10.
Those portions of the Figures shown in broken lines or dashed lines are included for environmental purposes only and form no part of the claimed design.

1 Claim, 10 Drawing Sheets

(56) **References Cited**

U.S. PATENT DOCUMENTS

- D359,266 S * 6/1995 Karp D12/419
D448,720 S * 10/2001 Nash D12/192
6,616,206 B2 * 9/2003 Luginbill B60N 2/4646
224/539
D522,957 S * 6/2006 Miyashita D12/415
D568,232 S * 5/2008 Motozaki D12/421
D724,521 S * 3/2015 Ashley D12/419
D725,583 S * 3/2015 Seki D12/419
9,199,579 B2 * 12/2015 Gillis B60R 7/04
D766,811 S * 9/2016 Shouno D12/419



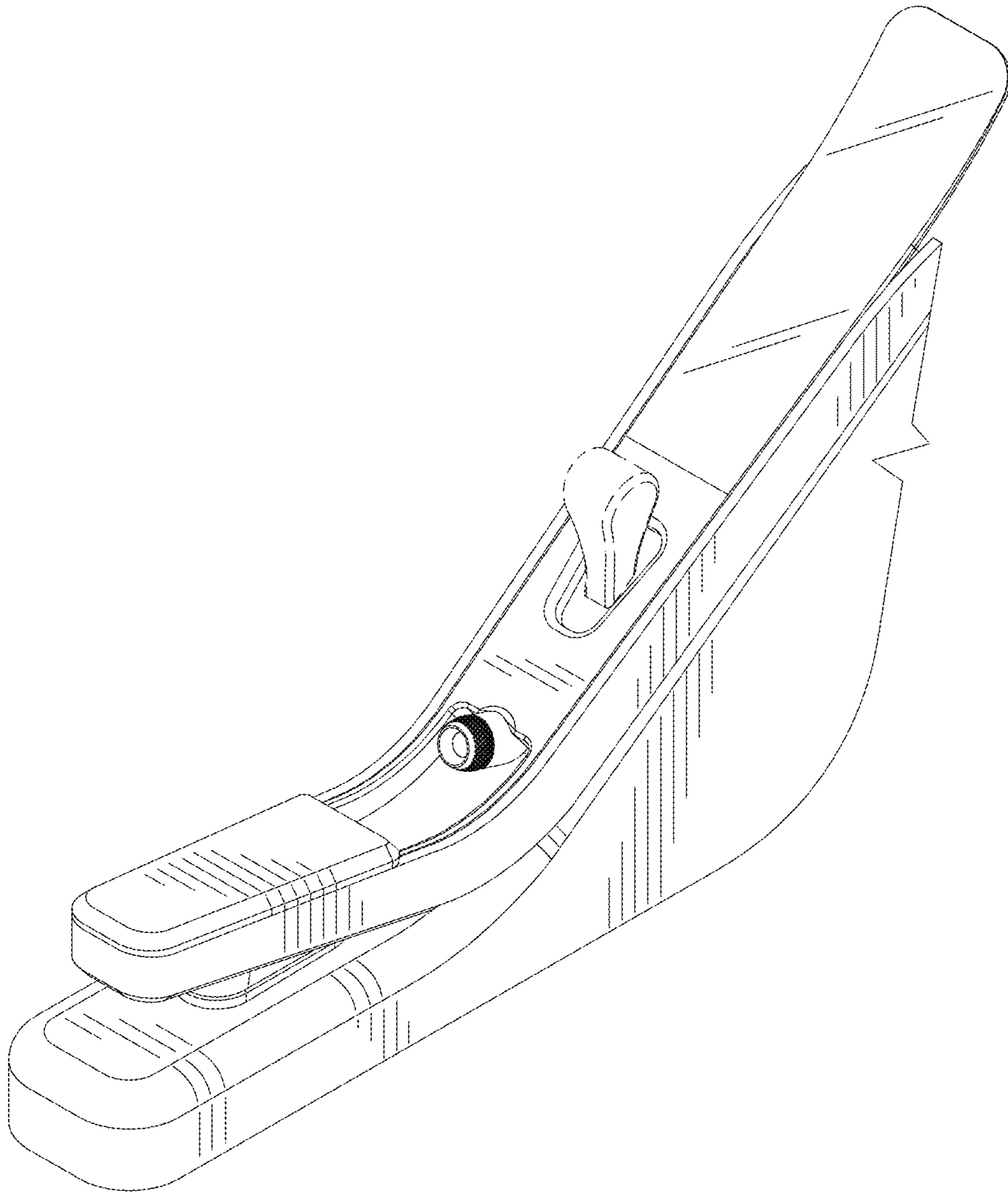


FIG. 1

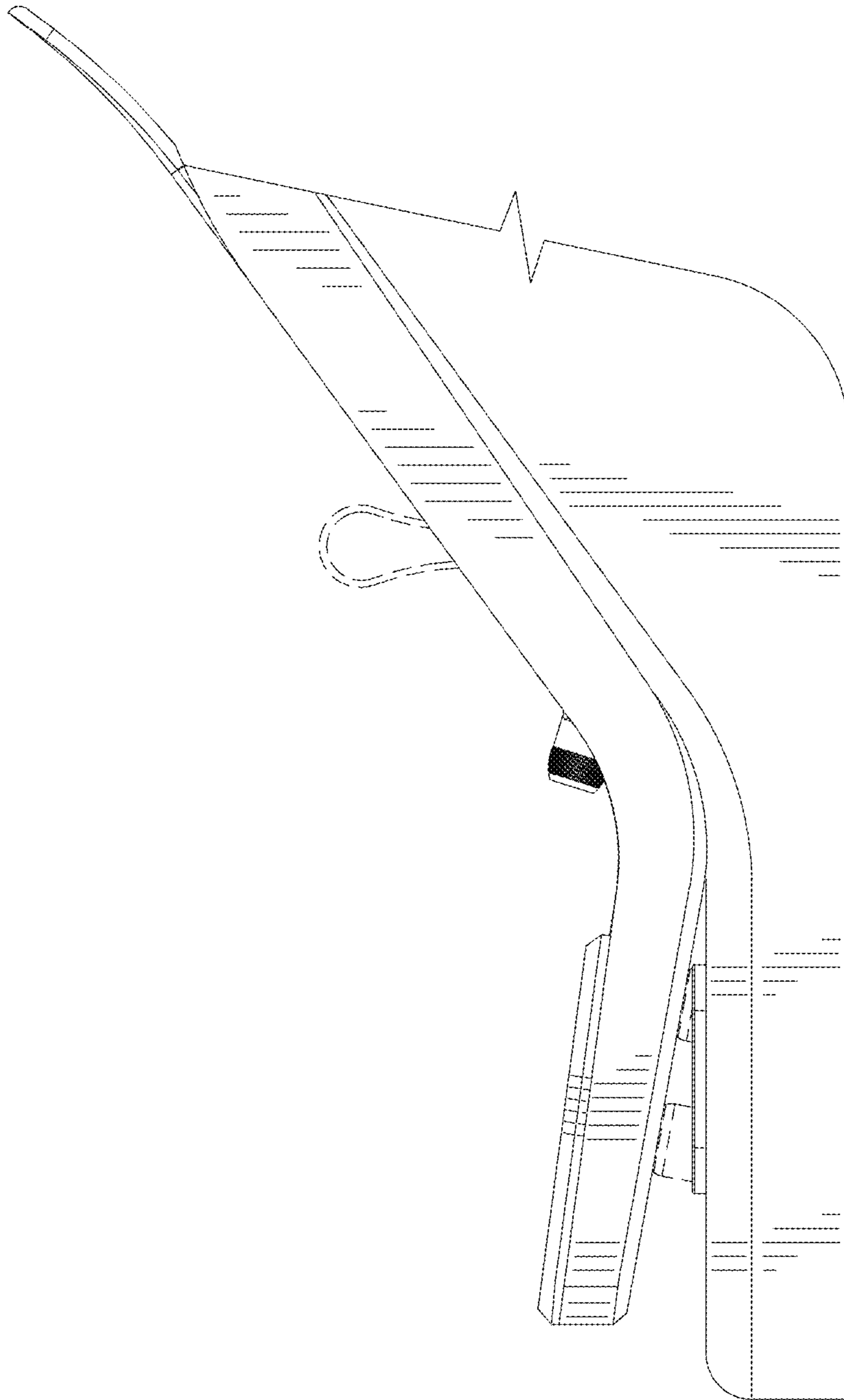


FIG. 2

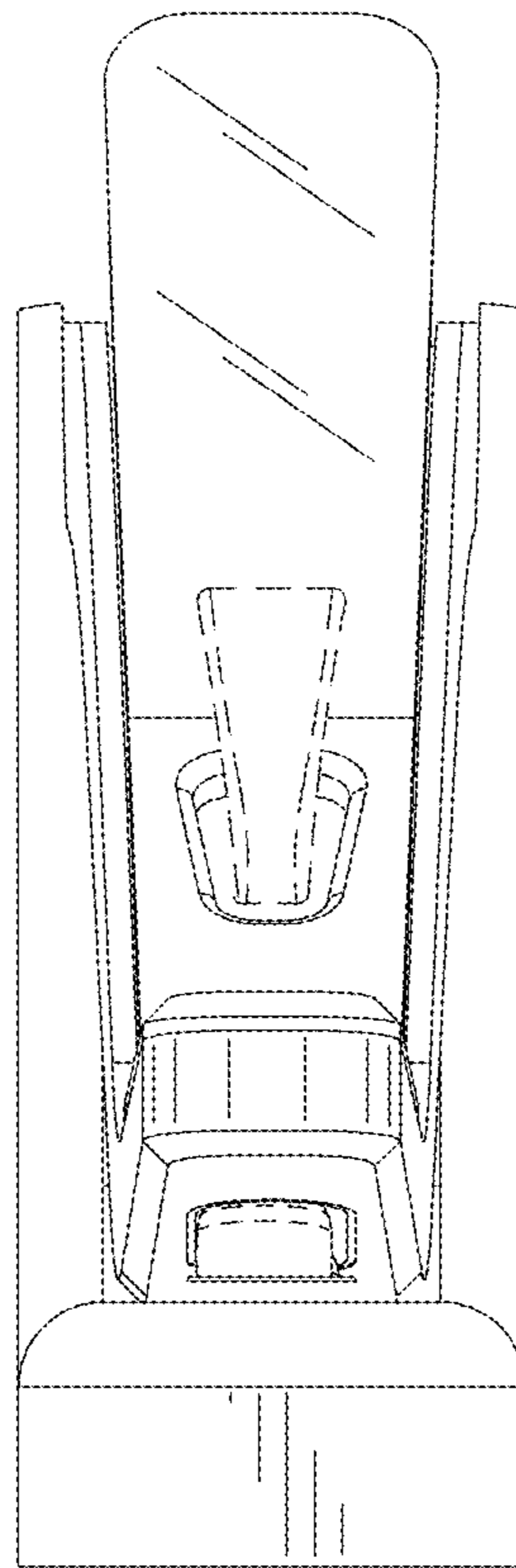


FIG. 3

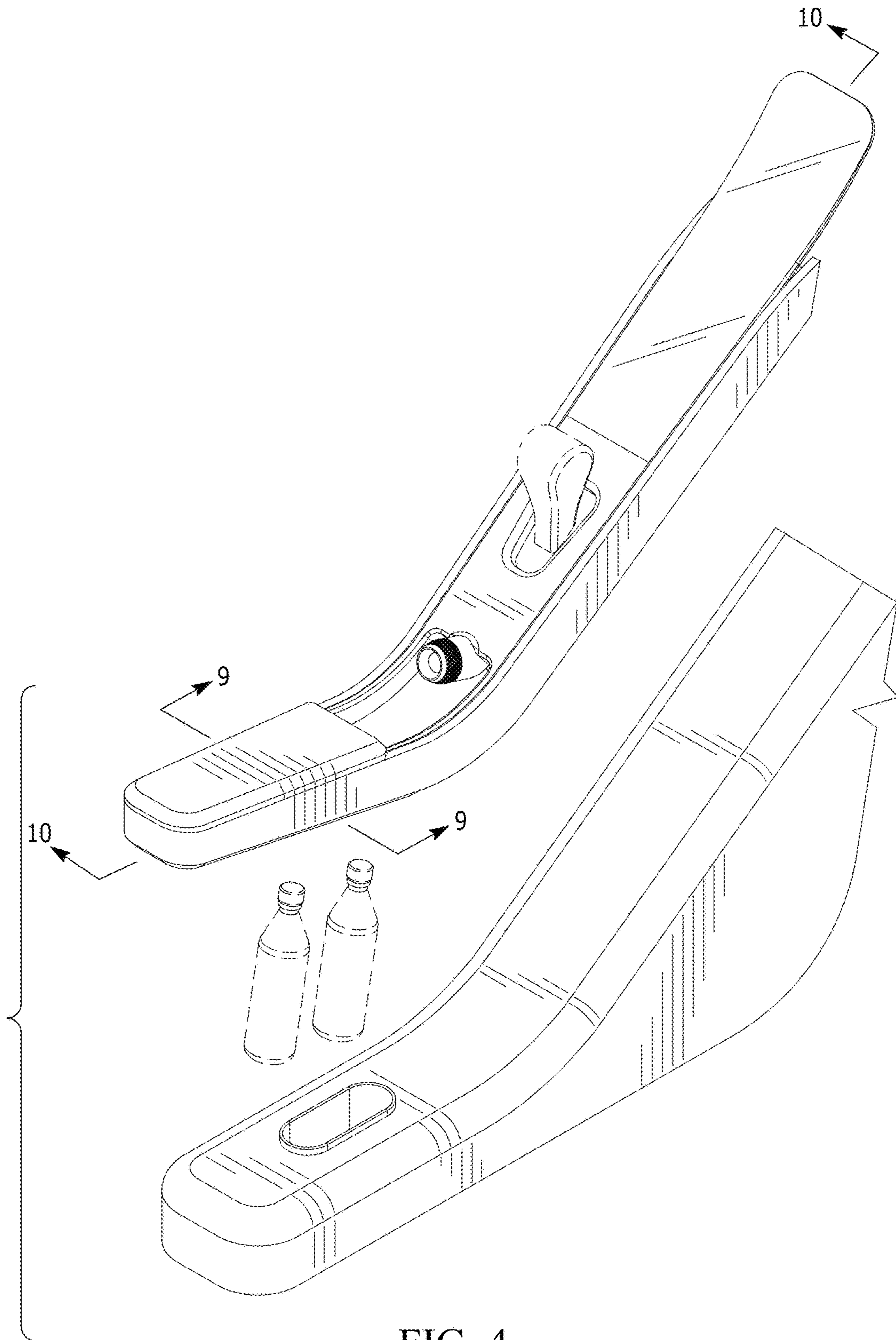


FIG. 4

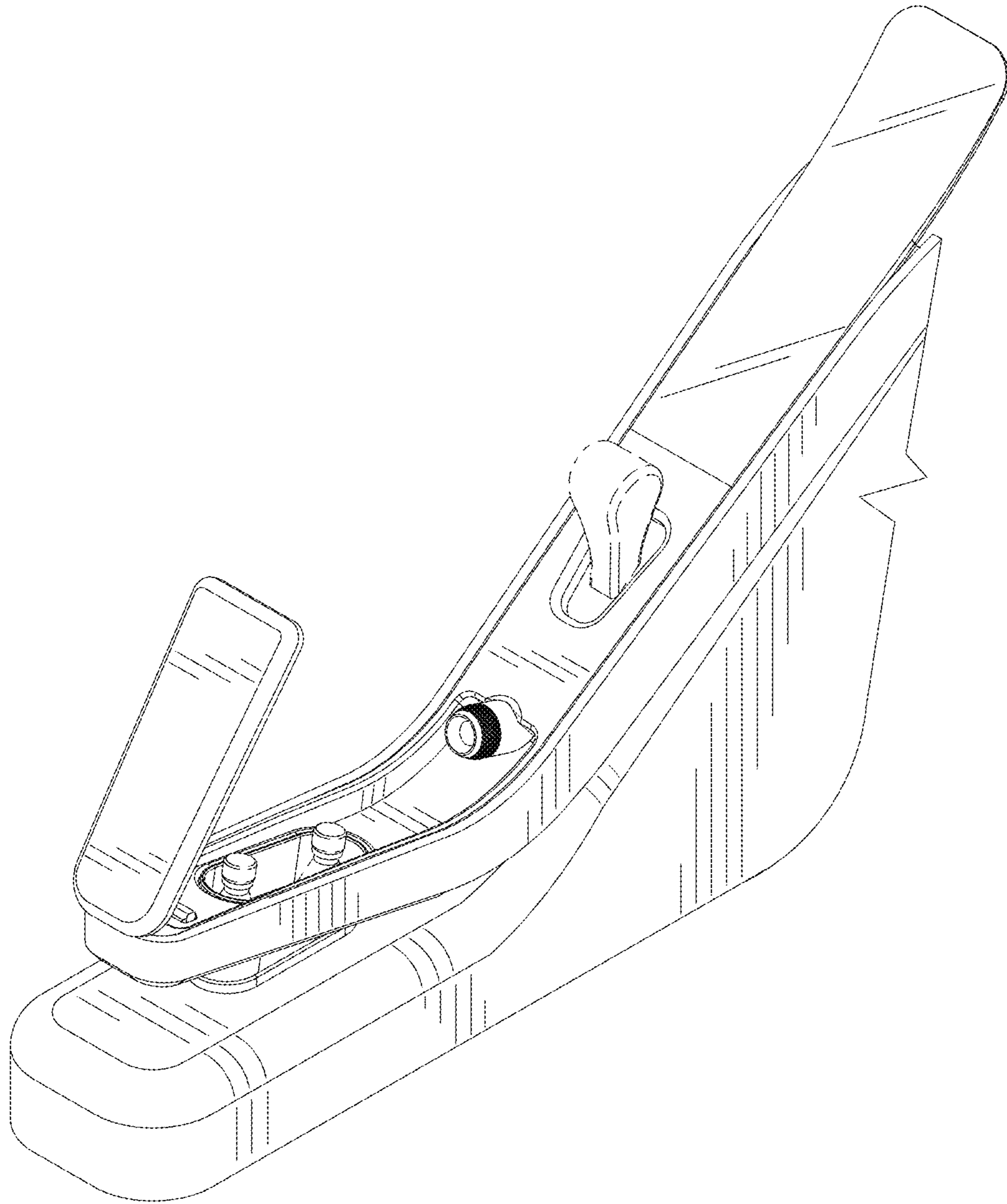


FIG. 5

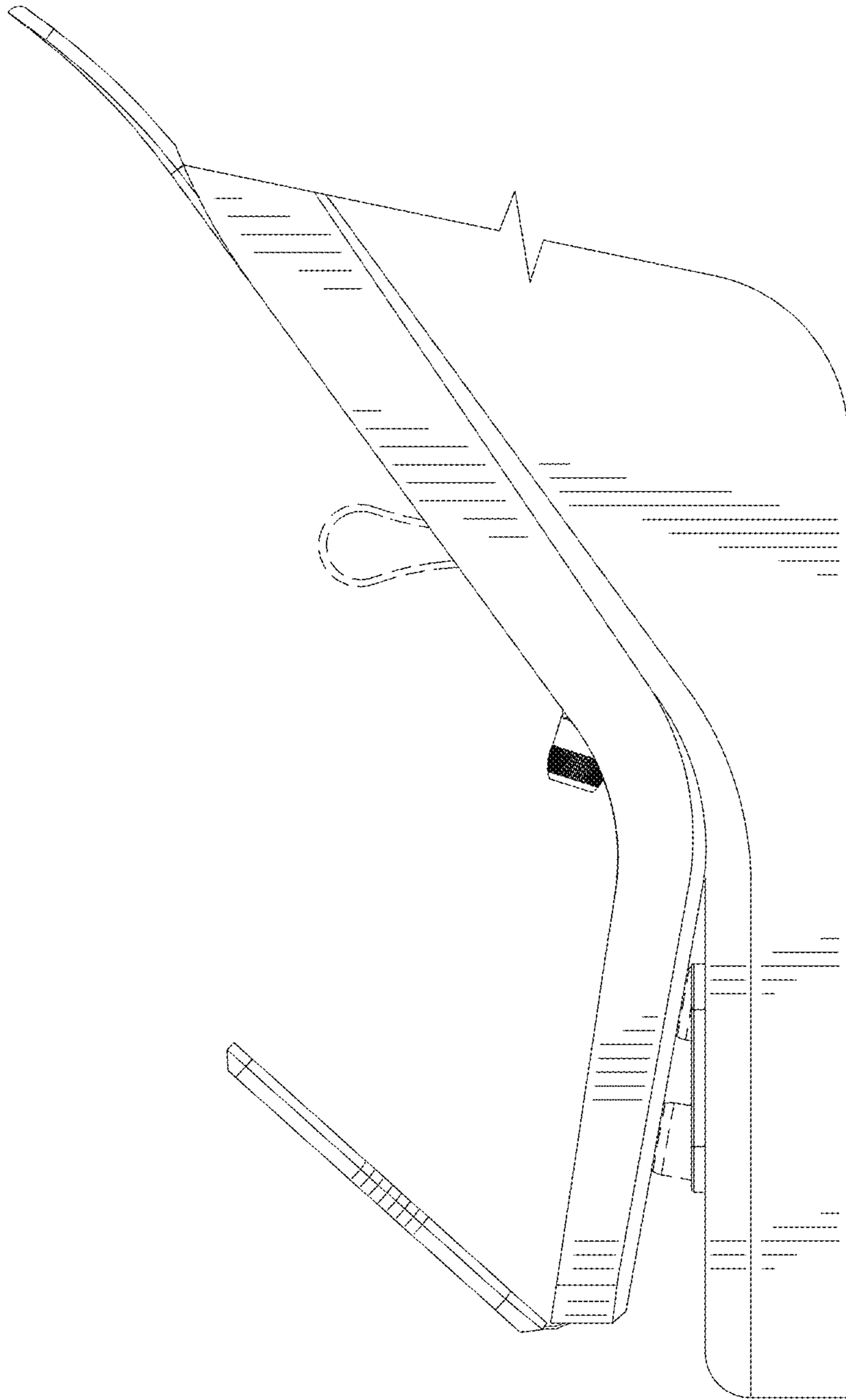


FIG. 6

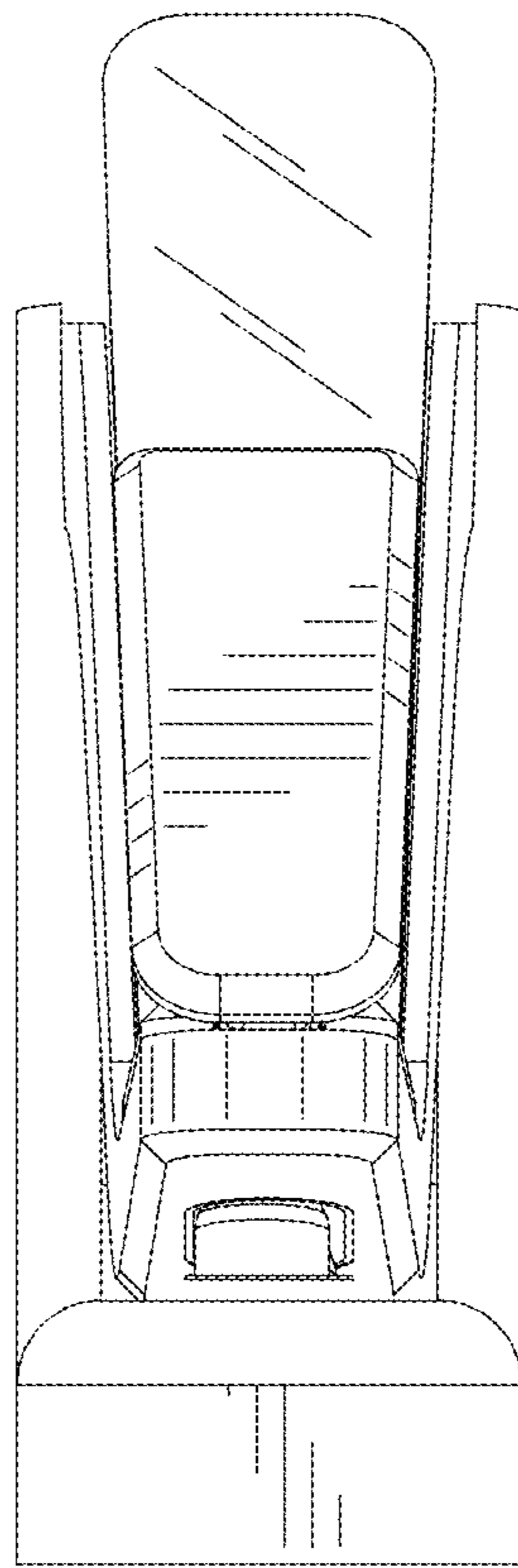


FIG. 7

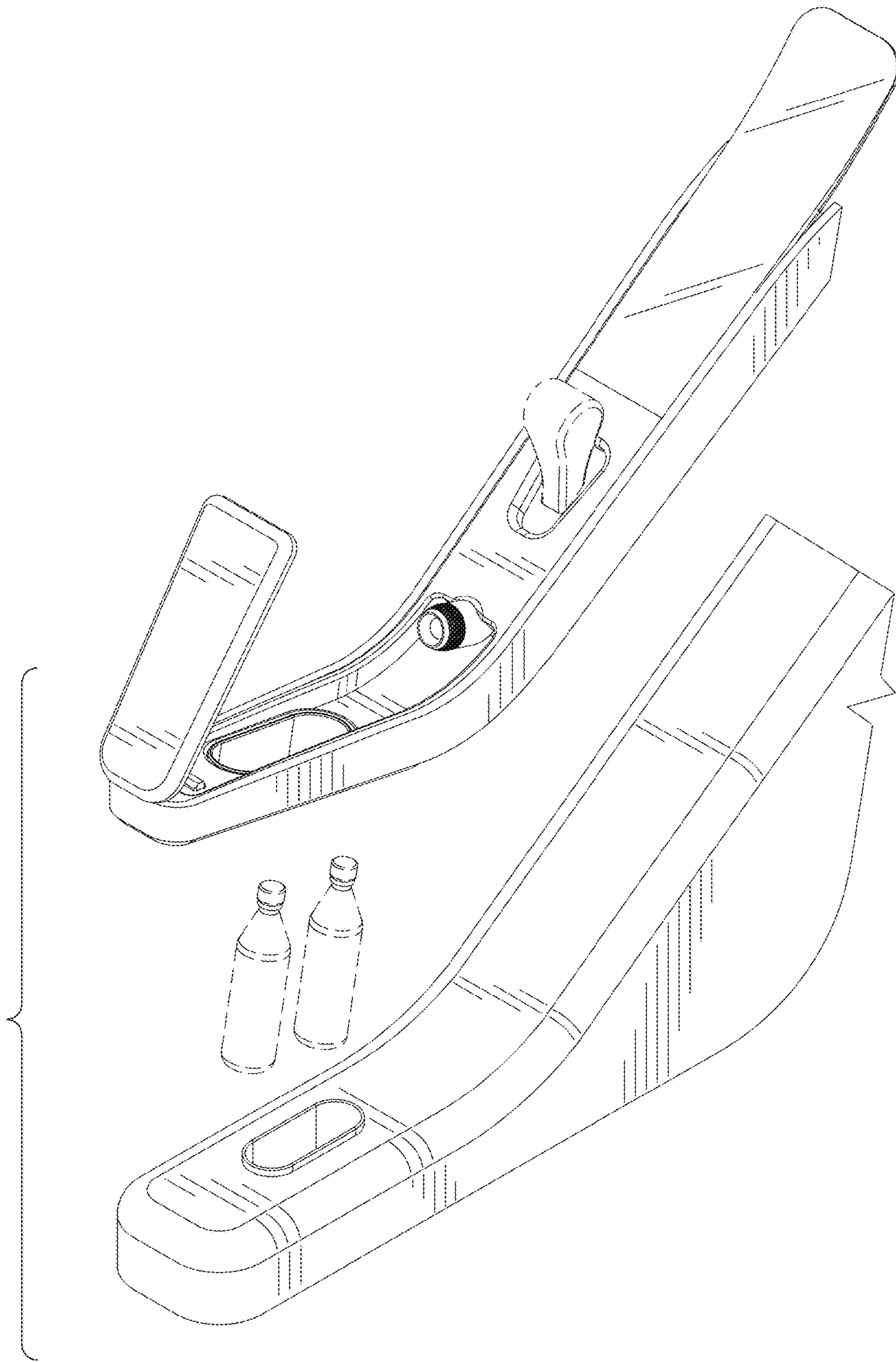


FIG. 8

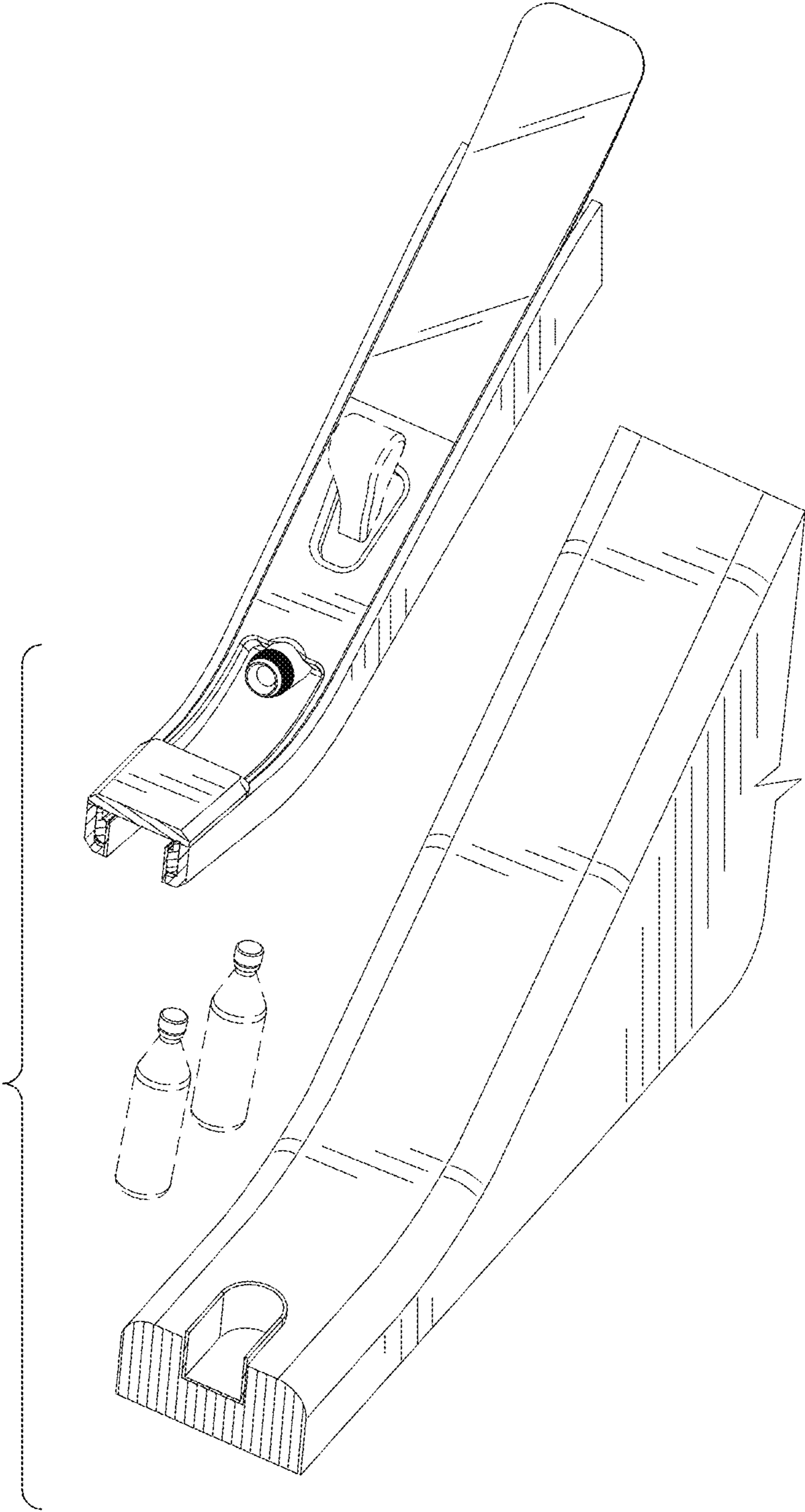


FIG. 9

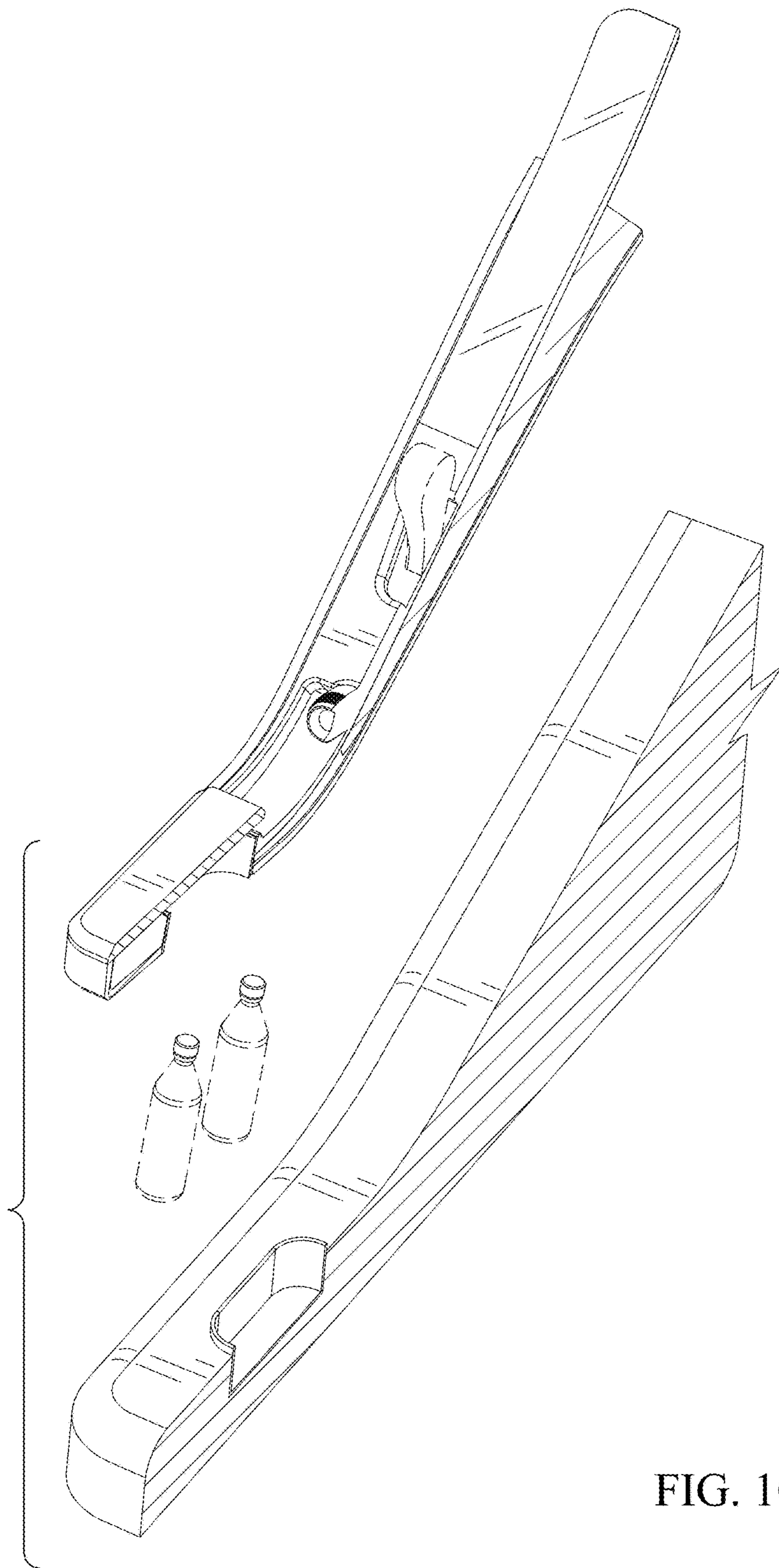


FIG. 10