



US00D784908S

(12) **United States Design Patent** (10) **Patent No.:** **US D784,908 S**
Kalchuri et al. (45) **Date of Patent:** **** Apr. 25, 2017**

(54) **CONVERTIBLE CAR ORGANIZER BAG**

FOREIGN PATENT DOCUMENTS

(71) Applicant: **Variyas LLC**, San Jose, CA (US)

DE 102004027014 A1 12/2005

(72) Inventors: **Shantanu Kalchuri**, San Jose, CA (US); **Kavitanjali Singh**, San Jose, CA (US)

OTHER PUBLICATIONS

(**) Term: **15 Years**

Amazon, "High Road Kids Food 'n Fun Car Organizer with Cooler and Snack Tray ", Accessed May 31, 2016, Available on Amazon Nov. 1, 2006, (https://www.amazon.com/High-Road-Organizer-Cooler-Snack/dp/B000HZWX2Q?ie=UTF8&*Version*=1&*entries*=0).

(21) Appl. No.: **29/541,274**

(Continued)

(22) Filed: **Oct. 1, 2015**

(51) **LOC (10) Cl.** **12-16**

Primary Examiner — Jennifer Rivard

(52) **U.S. Cl.**

Assistant Examiner — April Rivas

USPC **D12/416**; D3/289; D3/285

(74) *Attorney, Agent, or Firm* — Michael J. Sullivan

(58) **Field of Classification Search**

(57) **CLAIM**

USPC D3/273, 276, 283, 284, 285, 287, 289, D3/301, 902, 303, 305, 315; D7/709, D7/607, 602; D12/415, 416, 419, 423
CPC .. A45C 7/007; A45C 3/00; A45C 3/04; A45C 7/00; A45C 7/0036; A45C 13/30; A45C 15/00

The ornamental design for a convertible car organizer bag, as shown and described.

See application file for complete search history.

DESCRIPTION

(56) **References Cited**

FIG. 1 is a perspective view of the convertible car organizer bag with its lid closed;
FIG. 2 is a perspective view of the bag of FIG. 1 with its lid opened;
FIG. 3 is a right side view of the closed bag of FIG. 1;
FIG. 4 is a left side view thereof;
FIG. 5 is a top view thereof;
FIG. 6 is a bottom view thereof;
FIG. 7 is a front view thereof;
FIG. 8 is a back view thereof;
FIG. 9 is a top view of the open bag of FIG. 2; and,
FIG. 10 is a front view thereof.

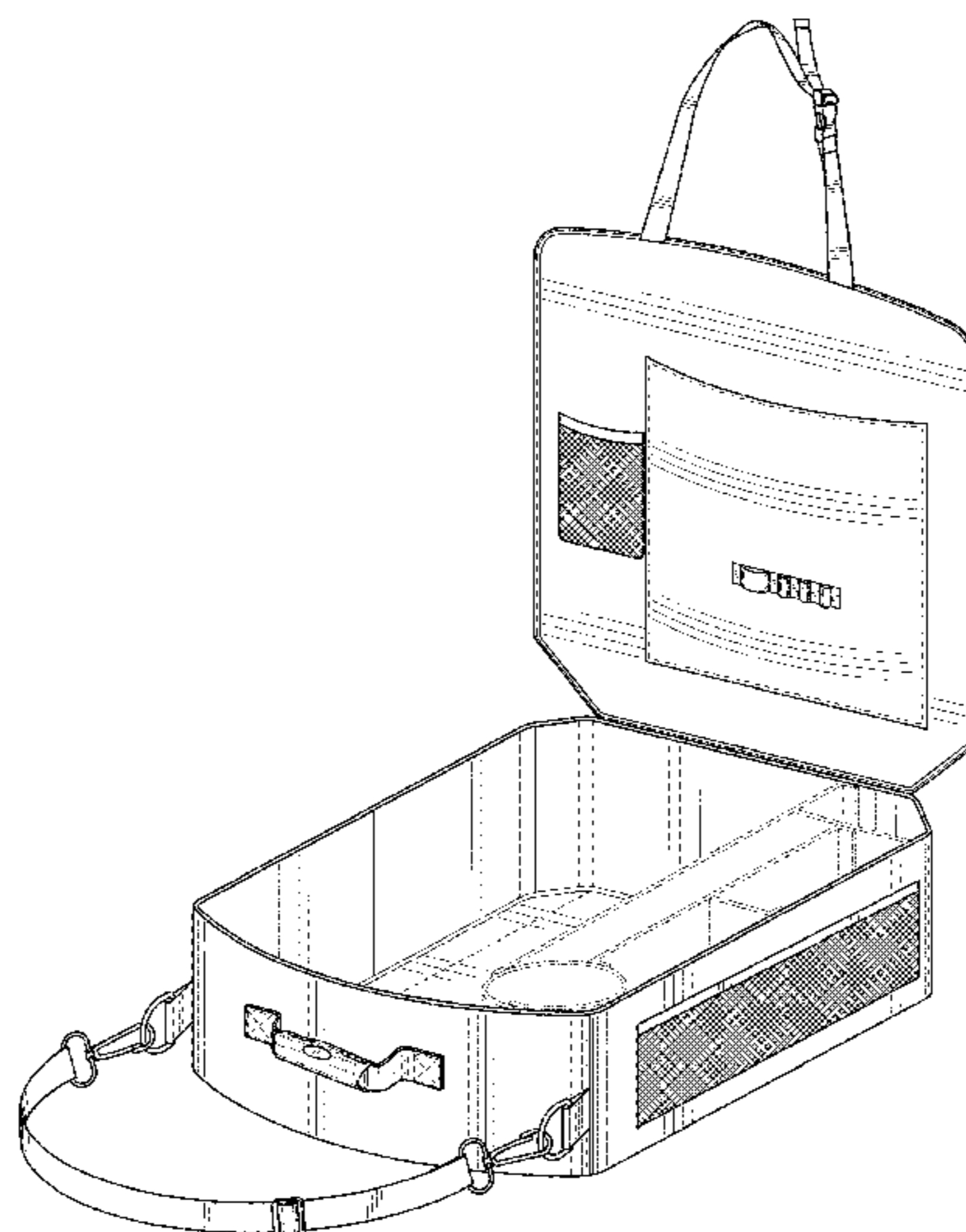
U.S. PATENT DOCUMENTS

4,512,503 A	4/1985	Gioso	
4,813,751 A	3/1989	Fenn	
D307,672 S *	5/1990	Lam	D3/287
D309,982 S *	8/1990	Boitani	D3/284
5,551,616 A	9/1996	Stitt et al.	
D425,474 S *	5/2000	Bergh	D12/416
6,279,798 B1	8/2001	Partch et al.	
D506,434 S *	6/2005	Ling	D12/416
D526,484 S *	8/2006	Flint	D3/283
D560,361 S *	1/2008	Huang	D3/301
7,429,078 B1	9/2008	Tarlow et al.	
D598,253 S *	8/2009	Lesser	D7/607
D602,688 S *	10/2009	Smith	D3/233
D632,079 S *	2/2011	Spencer	D3/301
D632,242 S *	2/2011	Currie	D12/416

The consistently-spaced broken lines in the drawings illustrate stitching that is part of the claimed design. The dot-dash broken lines in FIGS. 2 and 9 illustrating the interior compartments are included for the purpose of illustrating unclaimed subject matter and form no part of the claimed design.

(Continued)

1 Claim, 8 Drawing Sheets



(56)

References Cited

U.S. PATENT DOCUMENTS

D665,169 S * 8/2012 Filip D3/283
D716,717 S * 11/2014 Swartzel D12/416
2007/0228097 A1 10/2007 Recanati

OTHER PUBLICATIONS

Kickstarter, "CarpacK—Car Organizer Reinvented!", Accessed on May 31, 2016, Posted to kickstarter on Mar. 9, 2016. (<https://www.kickstarter.com/projects/326216582/carpacK-car-organizer-reinvented>).*

* cited by examiner

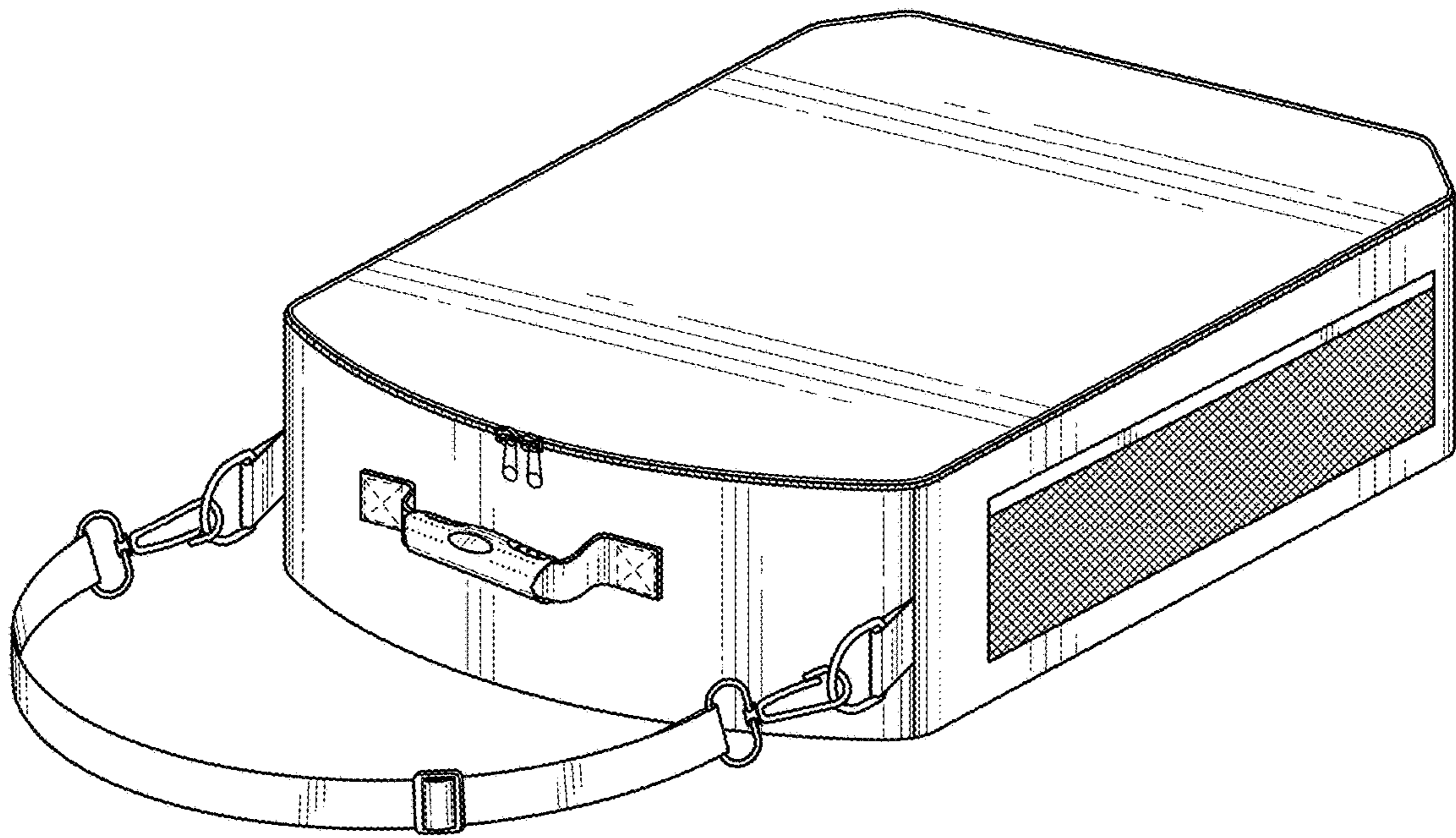


FIG. 1

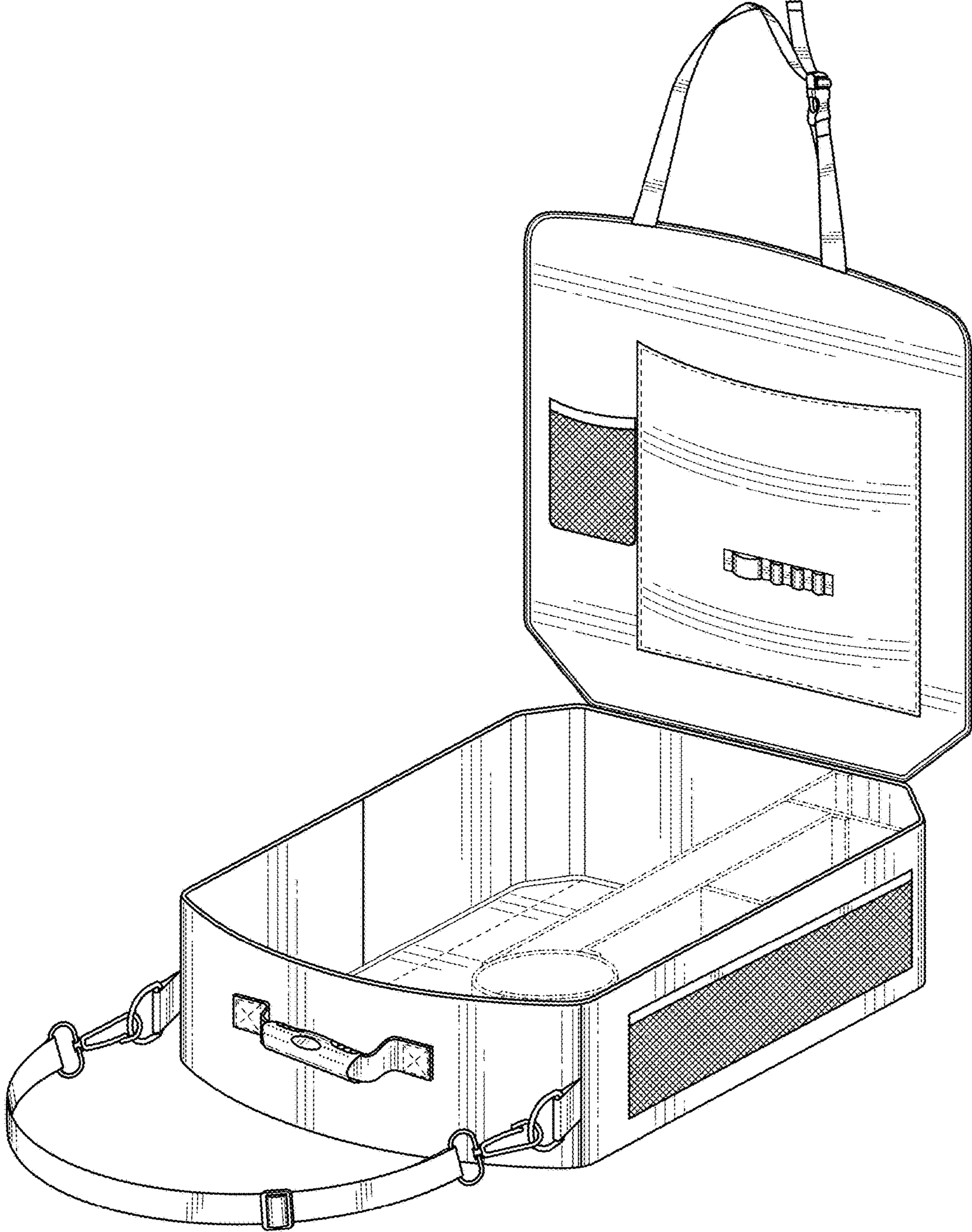


FIG. 2

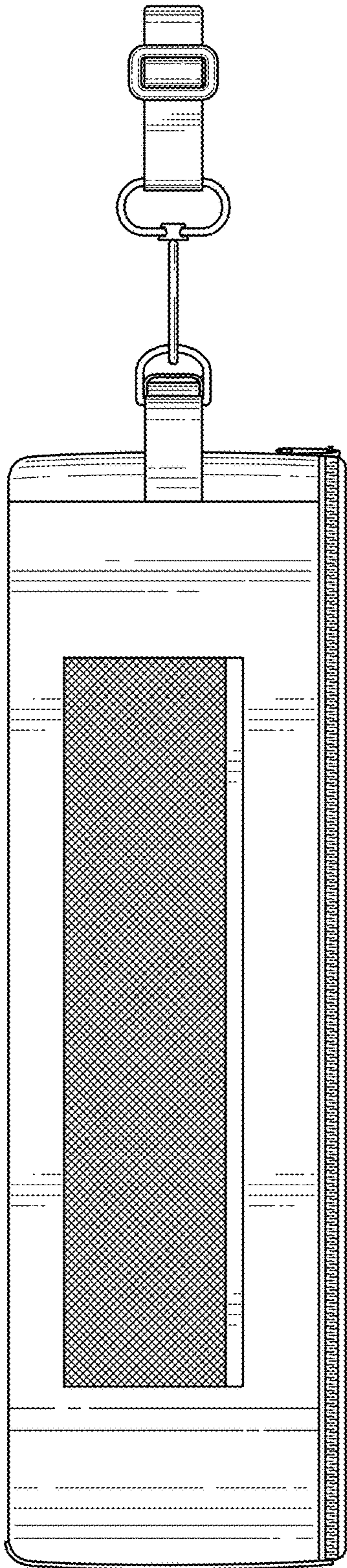


FIG. 3

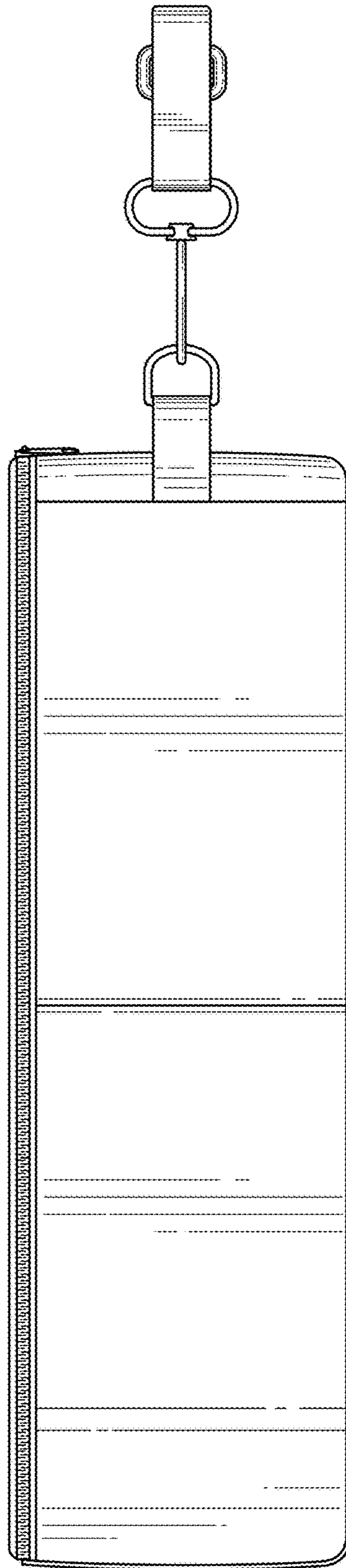


FIG. 4

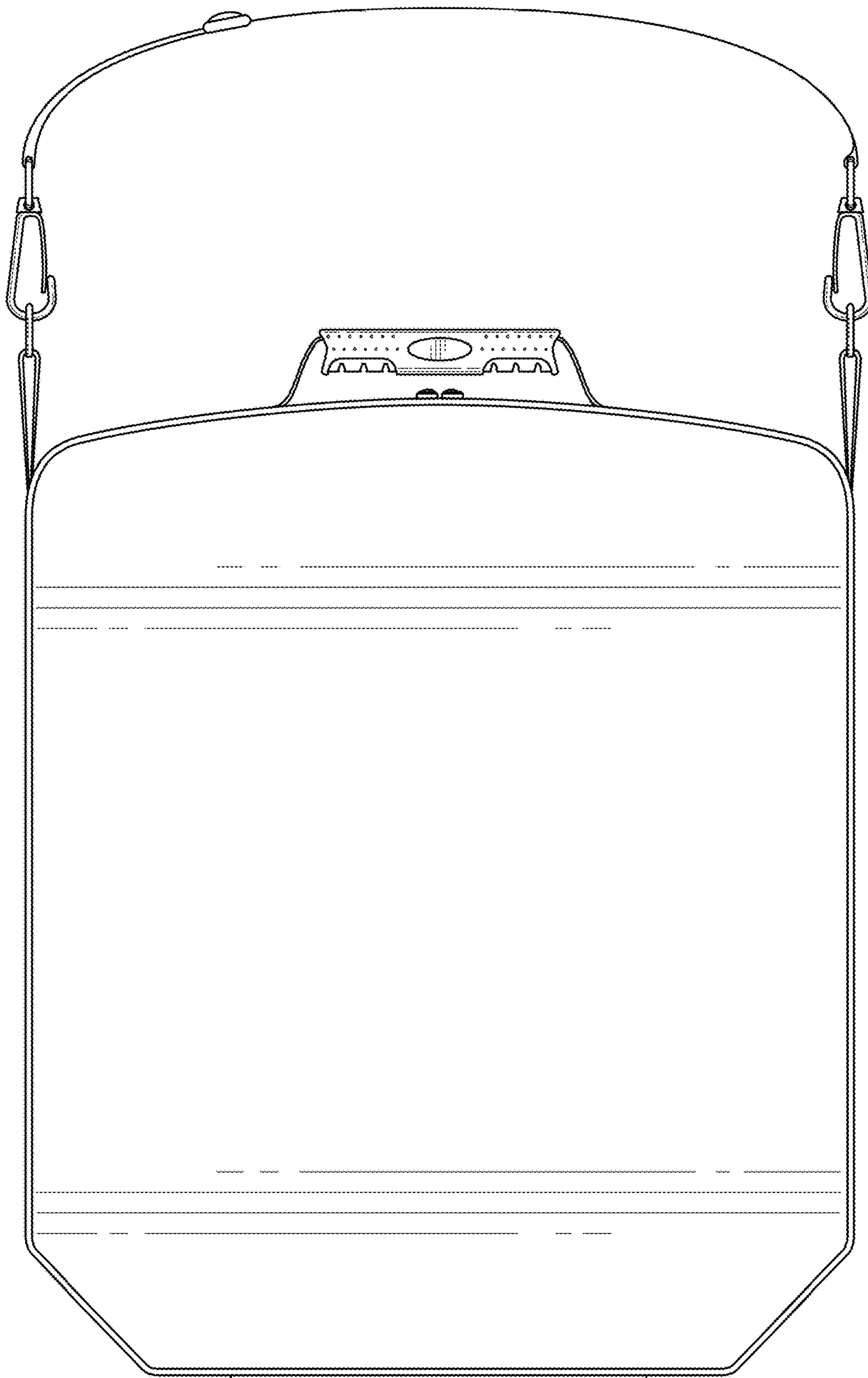


FIG. 5

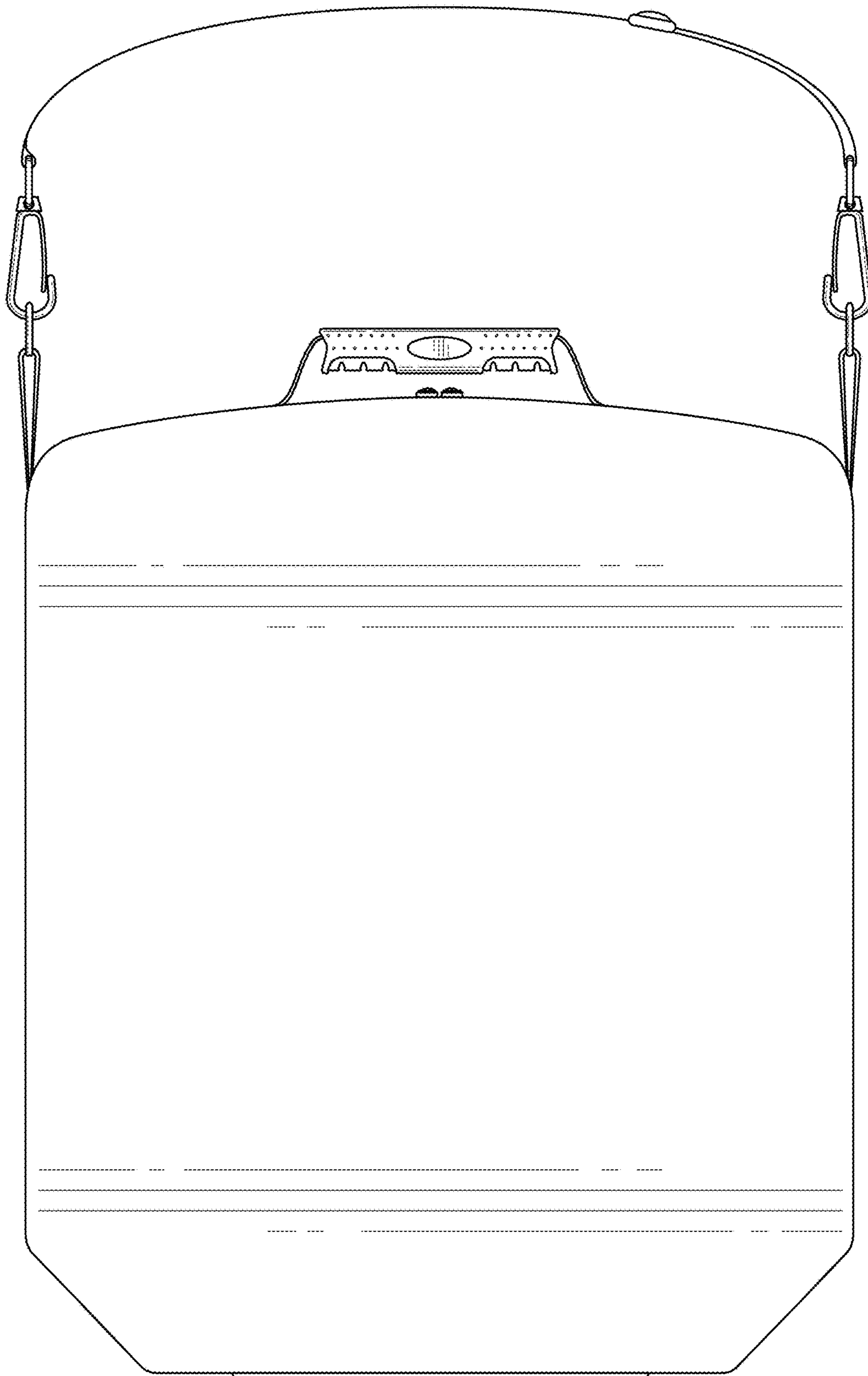


FIG. 6

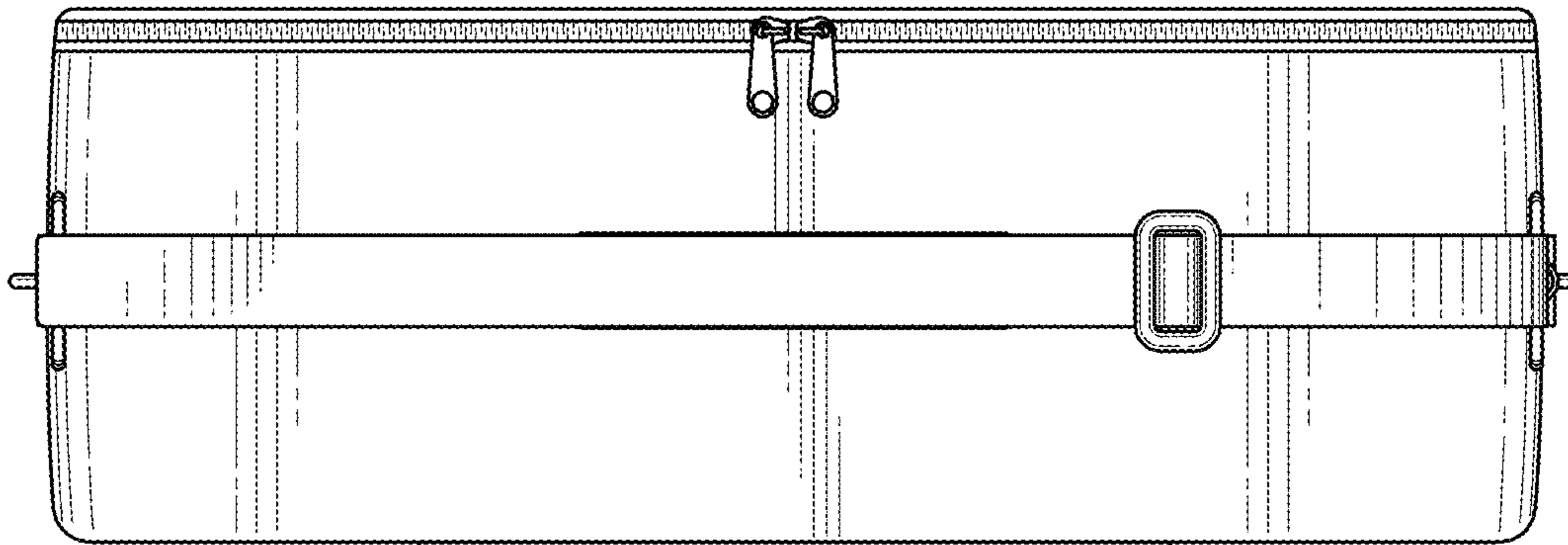


FIG. 7

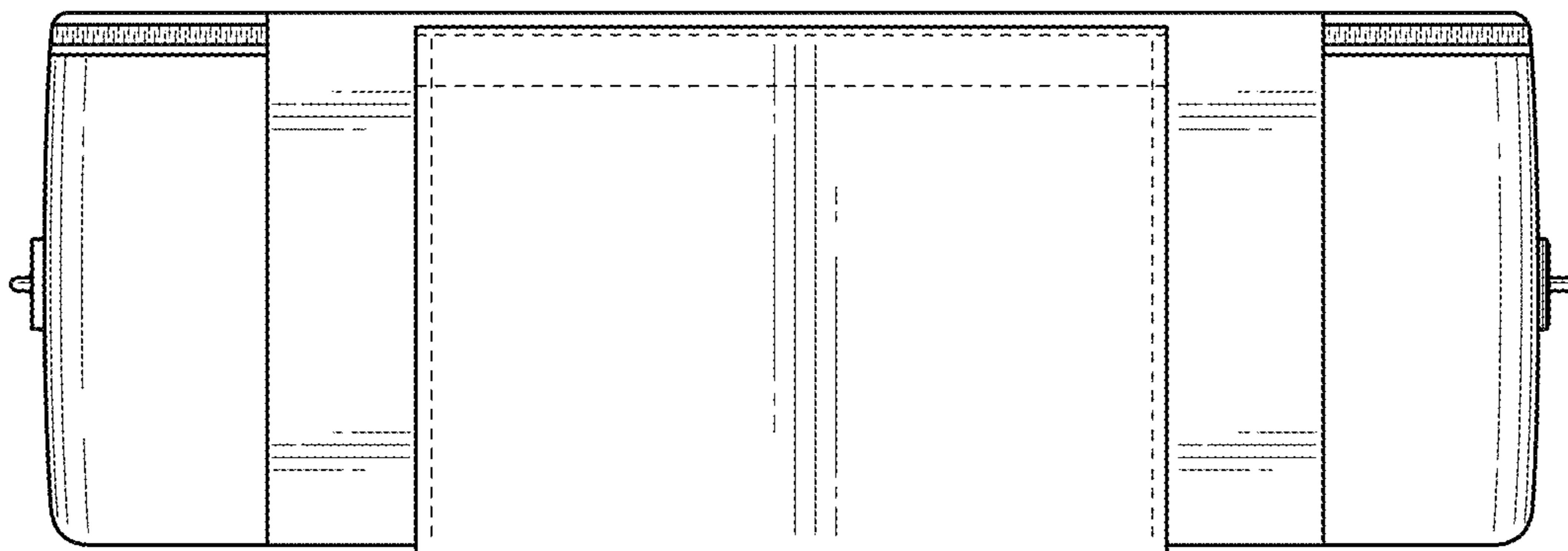


FIG. 8

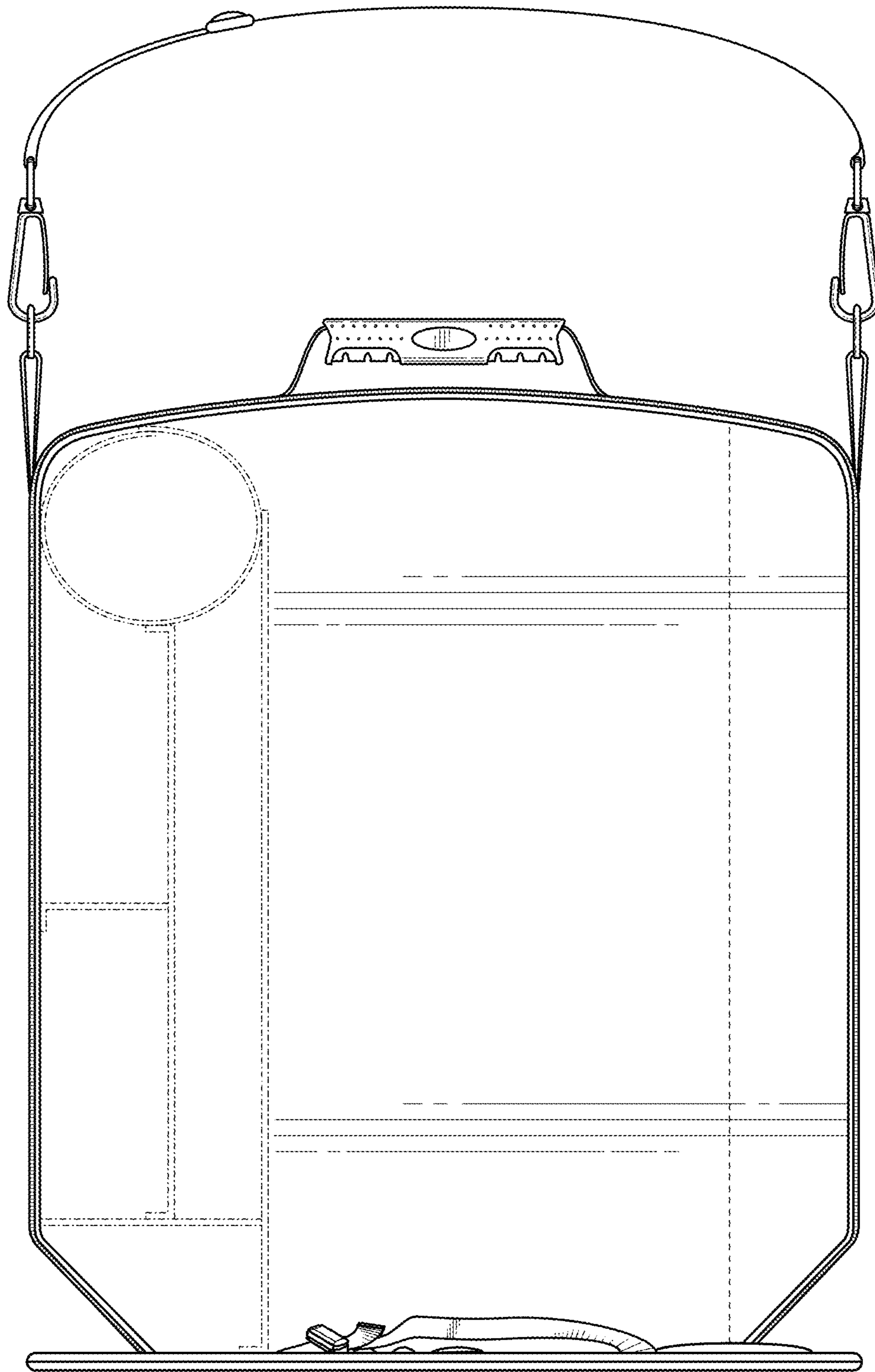


FIG. 9

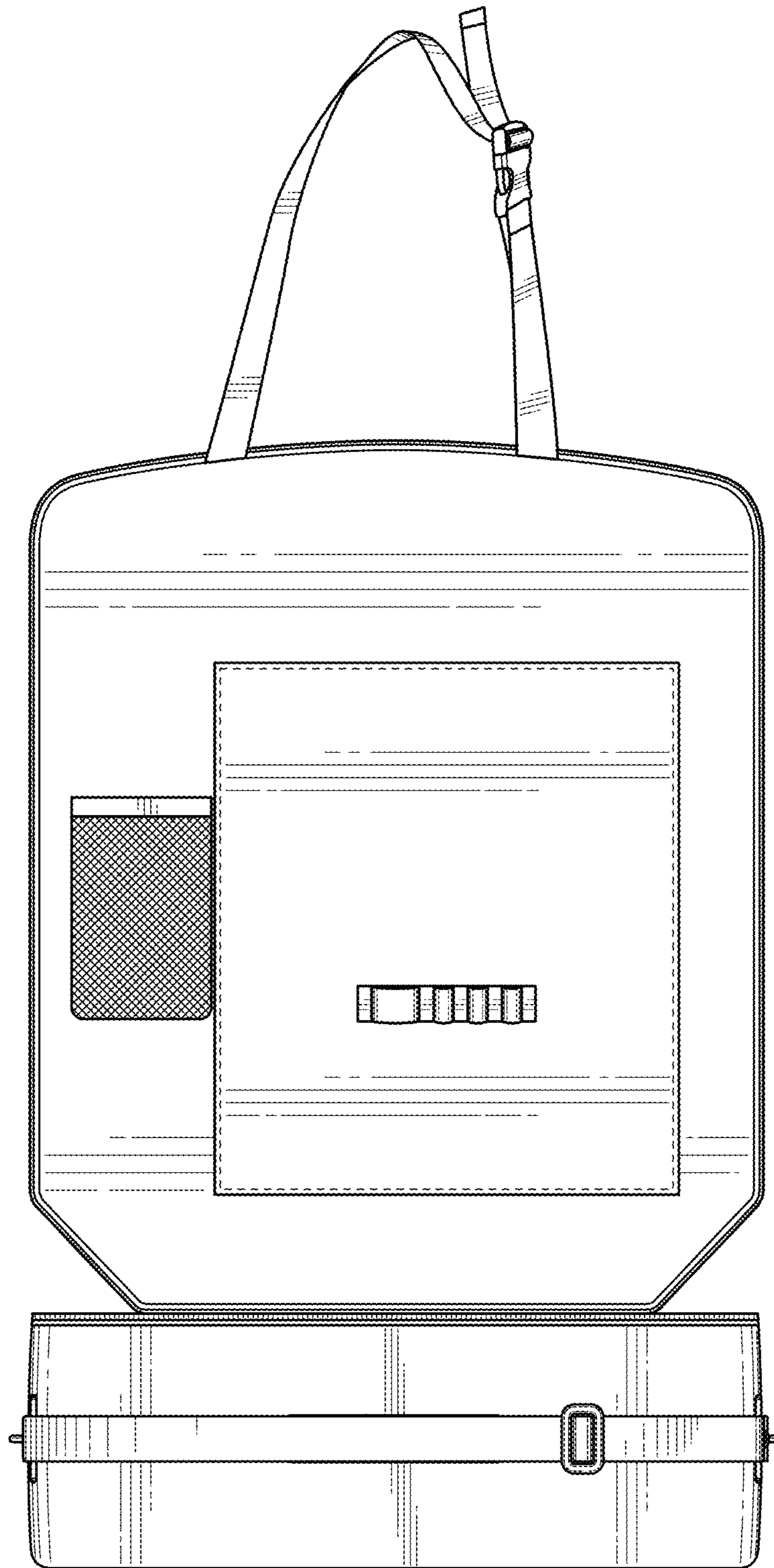


FIG. 10