



US00D784907S

(12) **United States Design Patent**
Lu

(10) **Patent No.:** **US D784,907 S**
(45) **Date of Patent:** **** Apr. 25, 2017**

(54) **VISCOSE MAGNETIC HOLDER USED FOR DASHBOARD**

(71) Applicant: **Changchun Chengji Technology CO., LTD.**, Changchun (CN)

(72) Inventor: **Haichuan Lu**, Shenzhen (CN)

(**) Term: **15 Years**

(21) Appl. No.: **29/553,793**

(22) Filed: **Feb. 4, 2016**

(51) **LOC (10) Cl.** **12-16**

(52) **U.S. Cl.**
USPC **D12/415**

(58) **Field of Classification Search**
USPC D12/415-420, 400, 191, 106, 195, 345,
D12/96, 99
CPC B60R 7/04; B60R 7/08
See application file for complete search history.

(56) **References Cited**

U.S. PATENT DOCUMENTS

3,329,277 A * 7/1967 Gaudino B60R 7/08
206/0.84
D690,707 S * 10/2013 Minn D14/447

D716,215 S * 10/2014 Dunn D12/415
D720,759 S * 1/2015 Deng D14/447
D733,115 S * 6/2015 Aspinall D14/253
D753,643 S * 4/2016 Kim D14/253
D767,556 S * 9/2016 Lee D12/415
2014/0103087 A1* 4/2014 Fan B60R 11/02
224/544
2015/0028075 A1* 1/2015 Khatchatrian B60R 11/02
224/483

* cited by examiner

Primary Examiner — Katrina A Betton

(57) **CLAIM**

The ornamental design for a viscose magnetic holder used for dashboard, as shown and described.

DESCRIPTION

FIG. 1 is a Front elevational view of a viscose magnetic holder used for dashboard showing my new design;
FIG. 2 is a Rear elevational view thereof;
FIG. 3 is a Right side view thereof;
FIG. 4 is a Left side view thereof;
FIG. 5 is a Top plan view thereof;
FIG. 6 is a Bottom plan view thereof; and,
FIG. 7 is a Perspective view thereof.

1 Claim, 7 Drawing Sheets

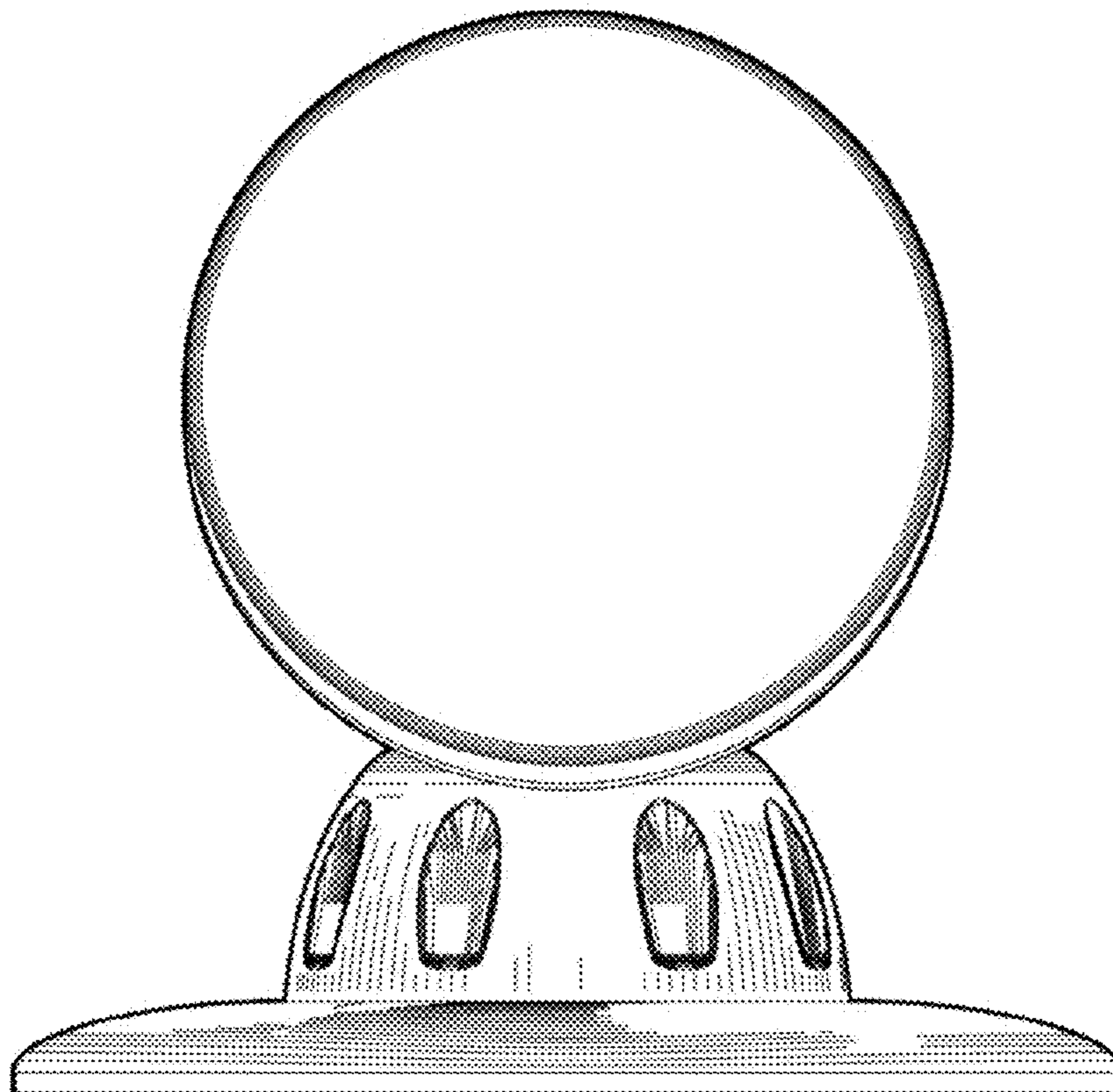


FIG 1

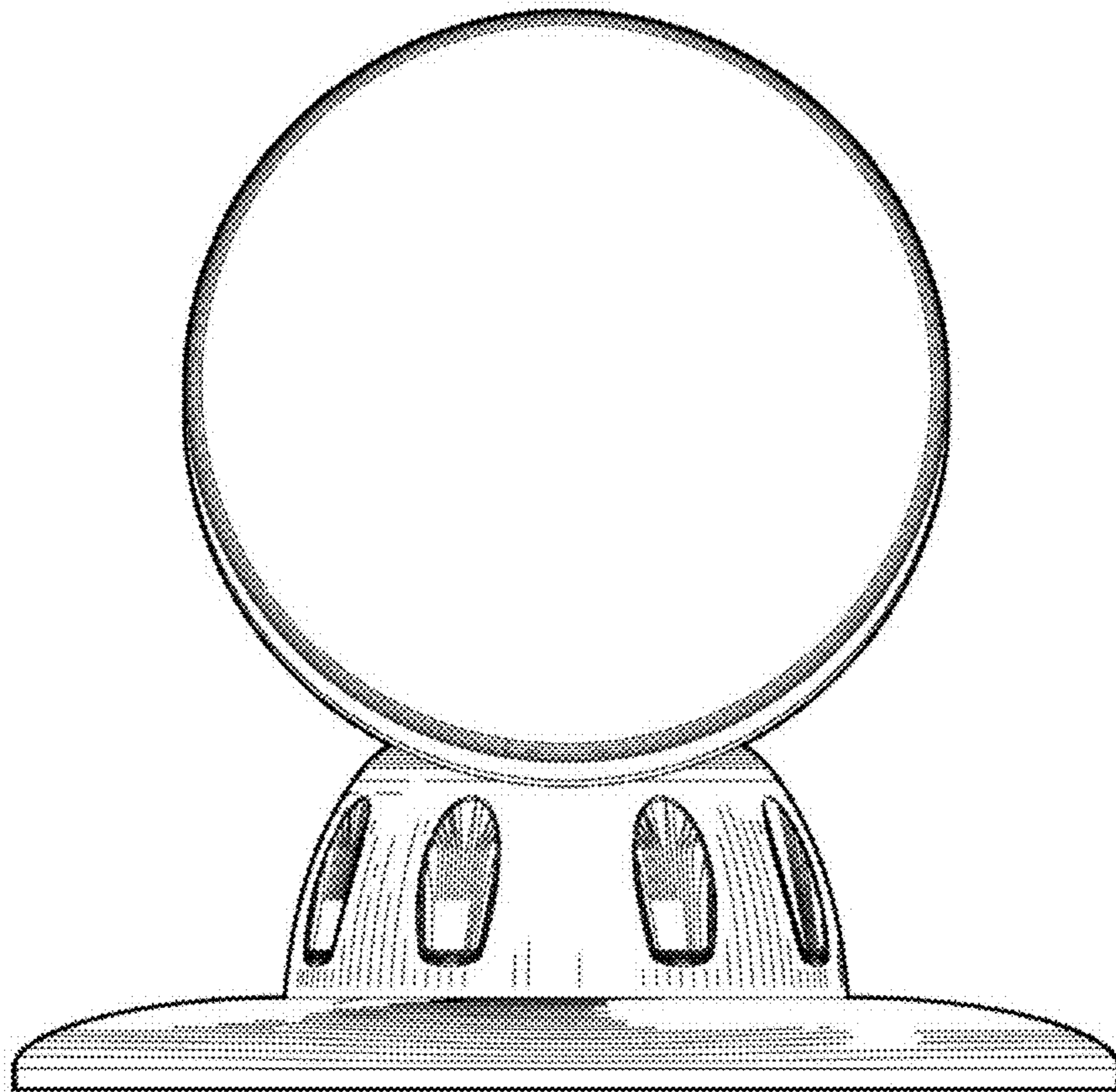


FIG 2

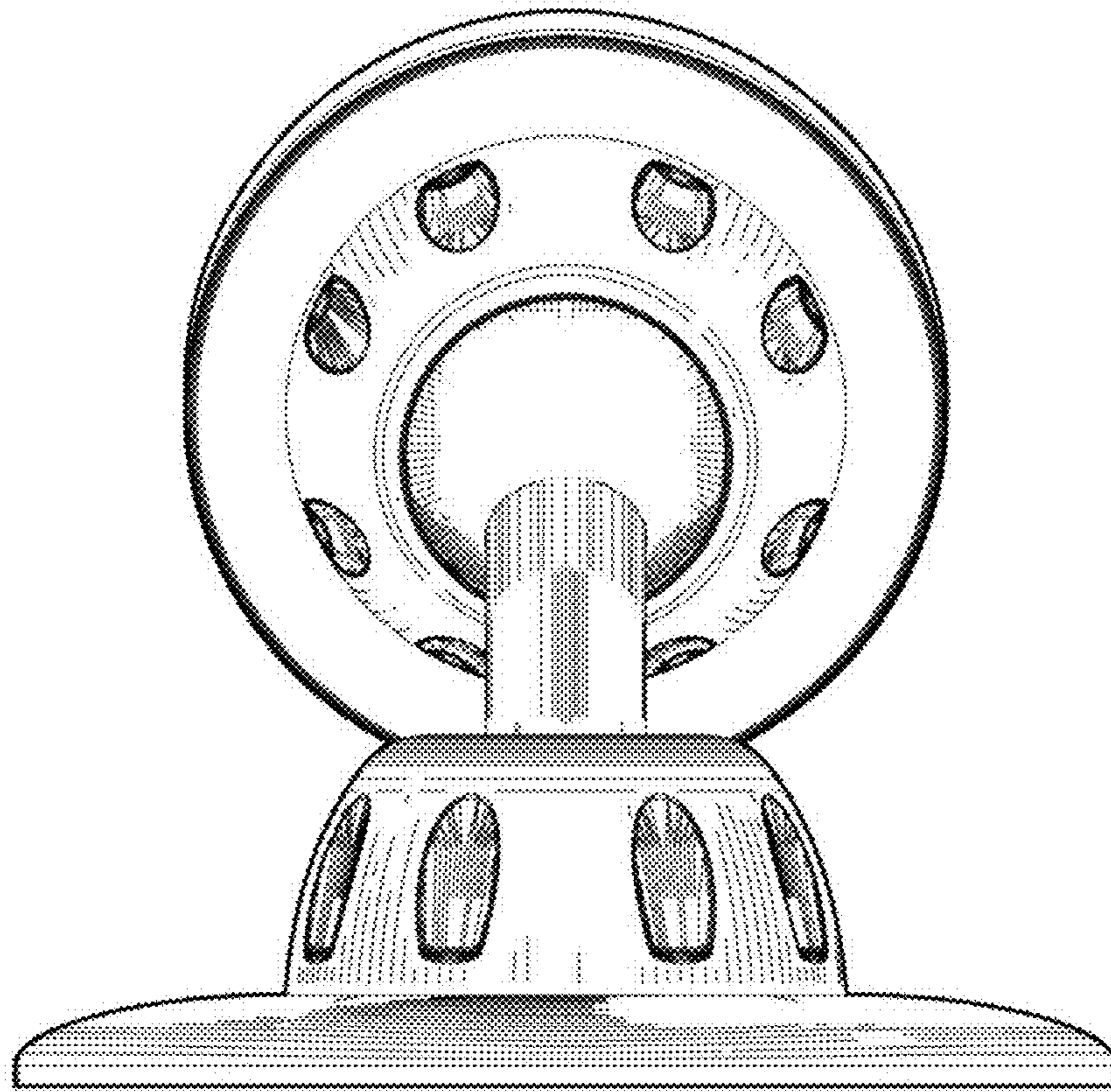


FIG 3

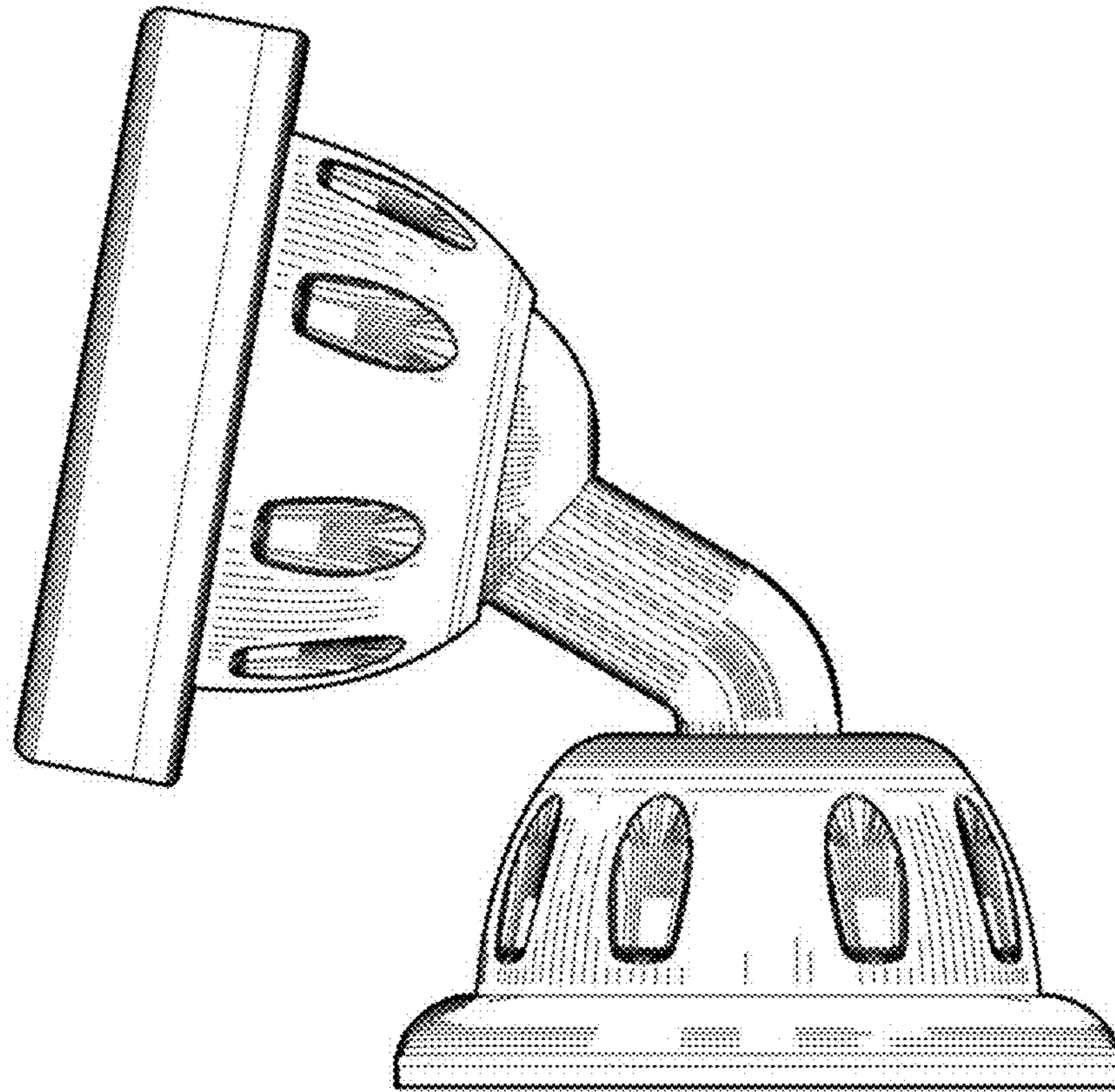


FIG 4

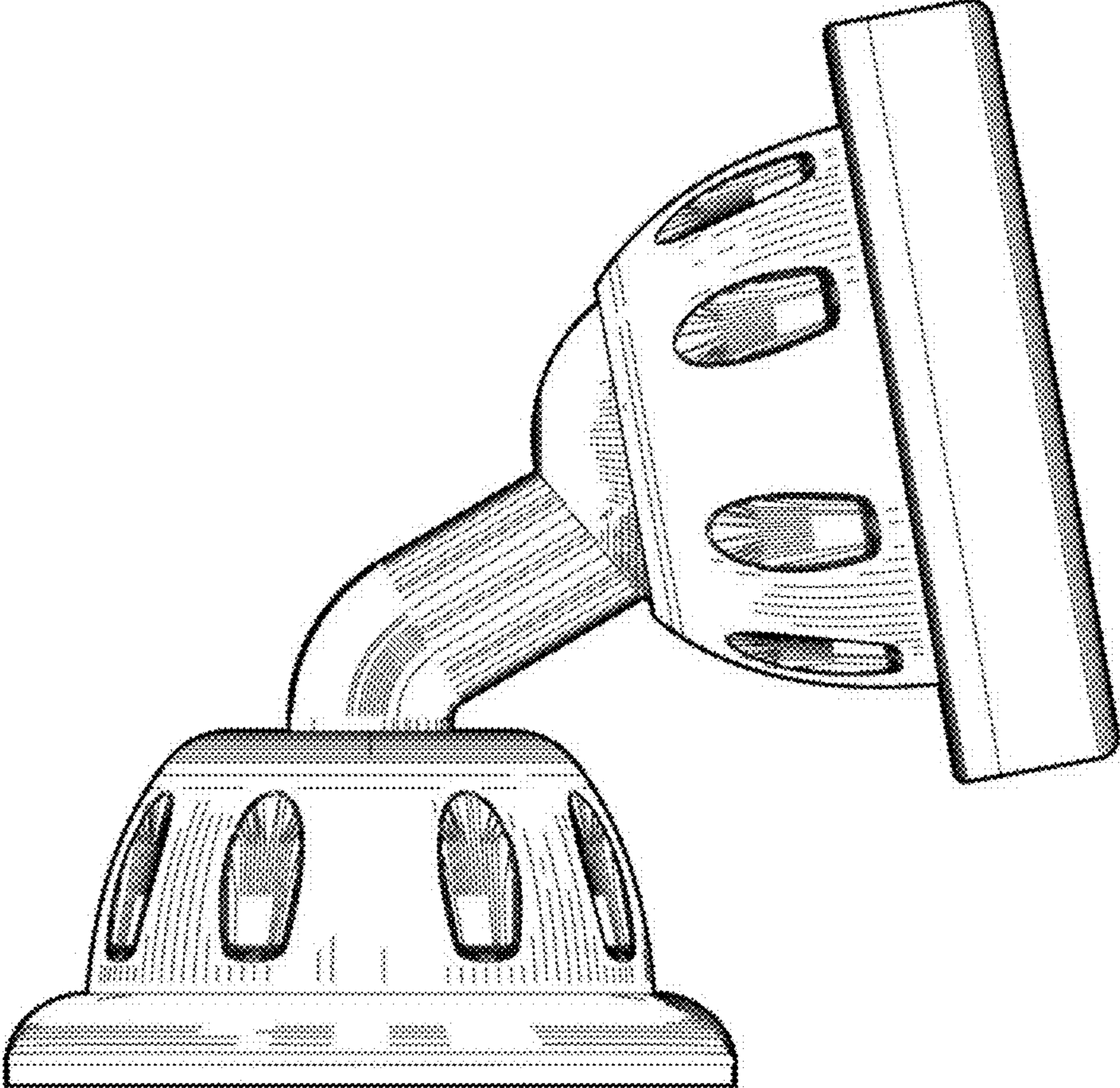


FIG 5

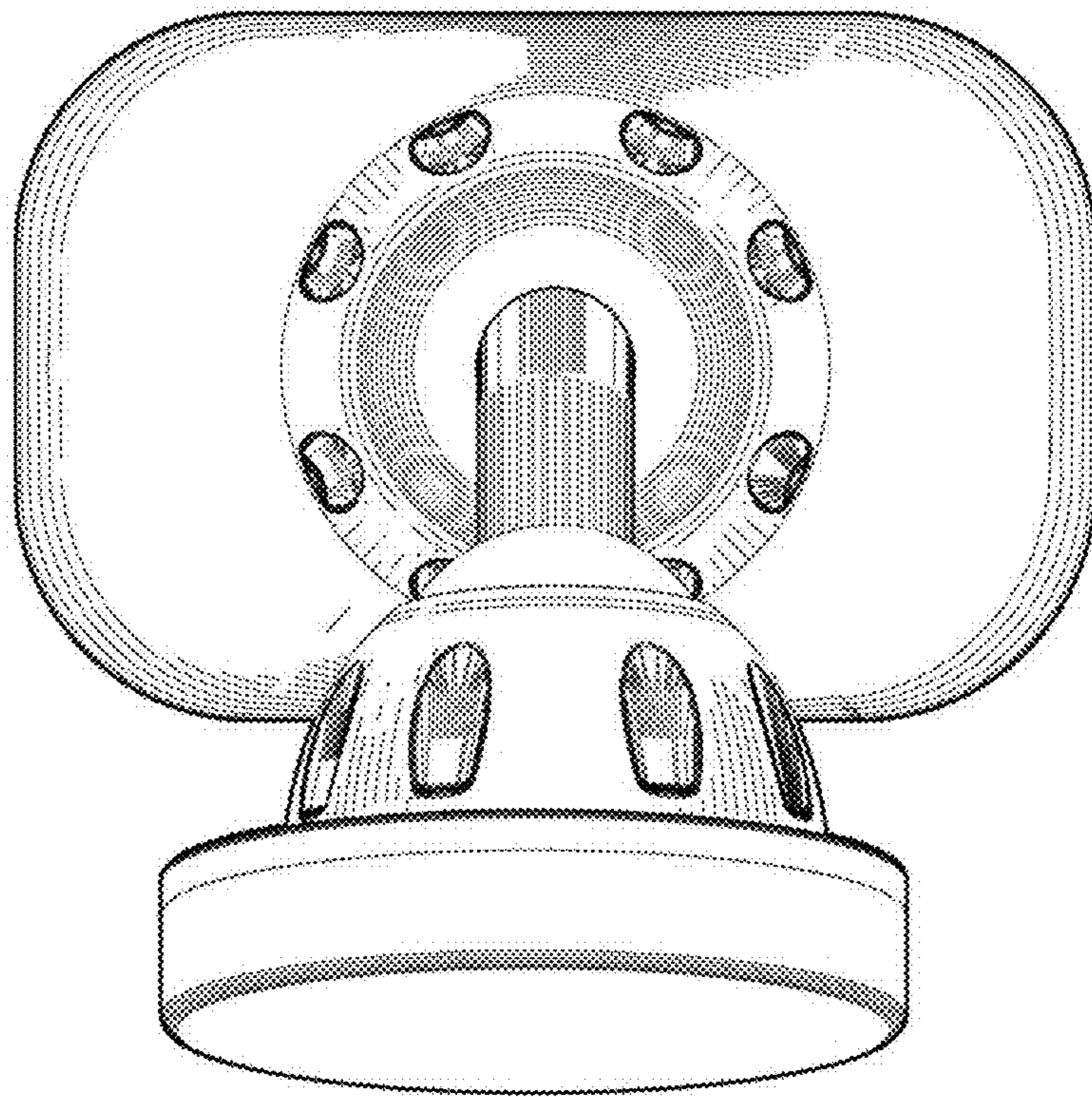


FIG 6

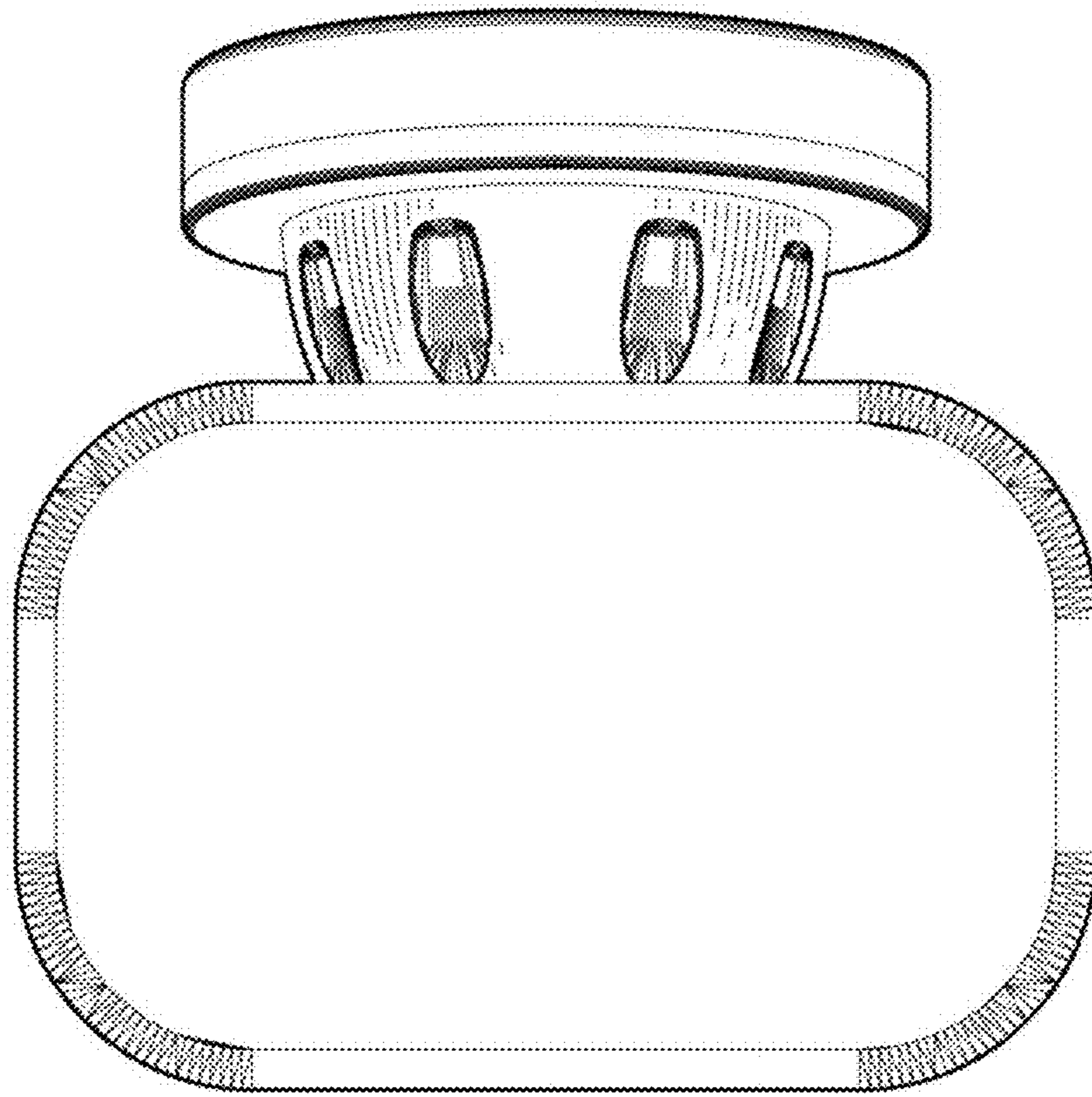


FIG7

