



US00D784905S

(12) **United States Design Patent** (10) **Patent No.:** **US D784,905 S**
Savian et al. (45) **Date of Patent:** **** Apr. 25, 2017**

(54) **STORAGE BIN FOR AIRCRAFT**
(71) Applicant: **C&D ZODIAC, INC.**, Huntington Beach, CA (US)
(72) Inventors: **Scott Savian**, Huntington Beach, CA (US); **Ian Geoffrey Scoley**, Huntington Beach, CA (US); **Chris Schutterra**, Huntington Beach, CA (US)
(73) Assignee: **C&D ZODIAC, INC.**, Huntington Beach, CA (US)
(**) Term: **14 Years**

Primary Examiner — Robert M Spear
Assistant Examiner — Marissa J Cash
(74) *Attorney, Agent, or Firm* — Jeffer Mangels Butler & Mitchell LLP; Brennan C. Swain, Esq.

(21) Appl. No.: **29/520,910**
(22) Filed: **Mar. 18, 2015**

Related U.S. Application Data

(63) Continuation-in-part of application No. 14/622,377, filed on Feb. 13, 2015, now Pat. No. 9,174,734, which (Continued)
(51) **LOC (10) Cl.** **12-07**
(52) **U.S. Cl.**
USPC **D12/345**
(58) **Field of Classification Search**
USPC D12/16.1, 319, 323–345, 418; D21/436, D21/438, 439, 440, 441, 447, 448, 449, D21/450, 452, 453, 454, 455
(Continued)

(56) **References Cited**

U.S. PATENT DOCUMENTS

4,597,599 A 7/1986 Bisbing
4,637,642 A 1/1987 Stoecker
(Continued)

FOREIGN PATENT DOCUMENTS

CA 2377749 A1 9/2003
EP 1299020 B1 12/2005
WO 2010114057 A1 10/2010

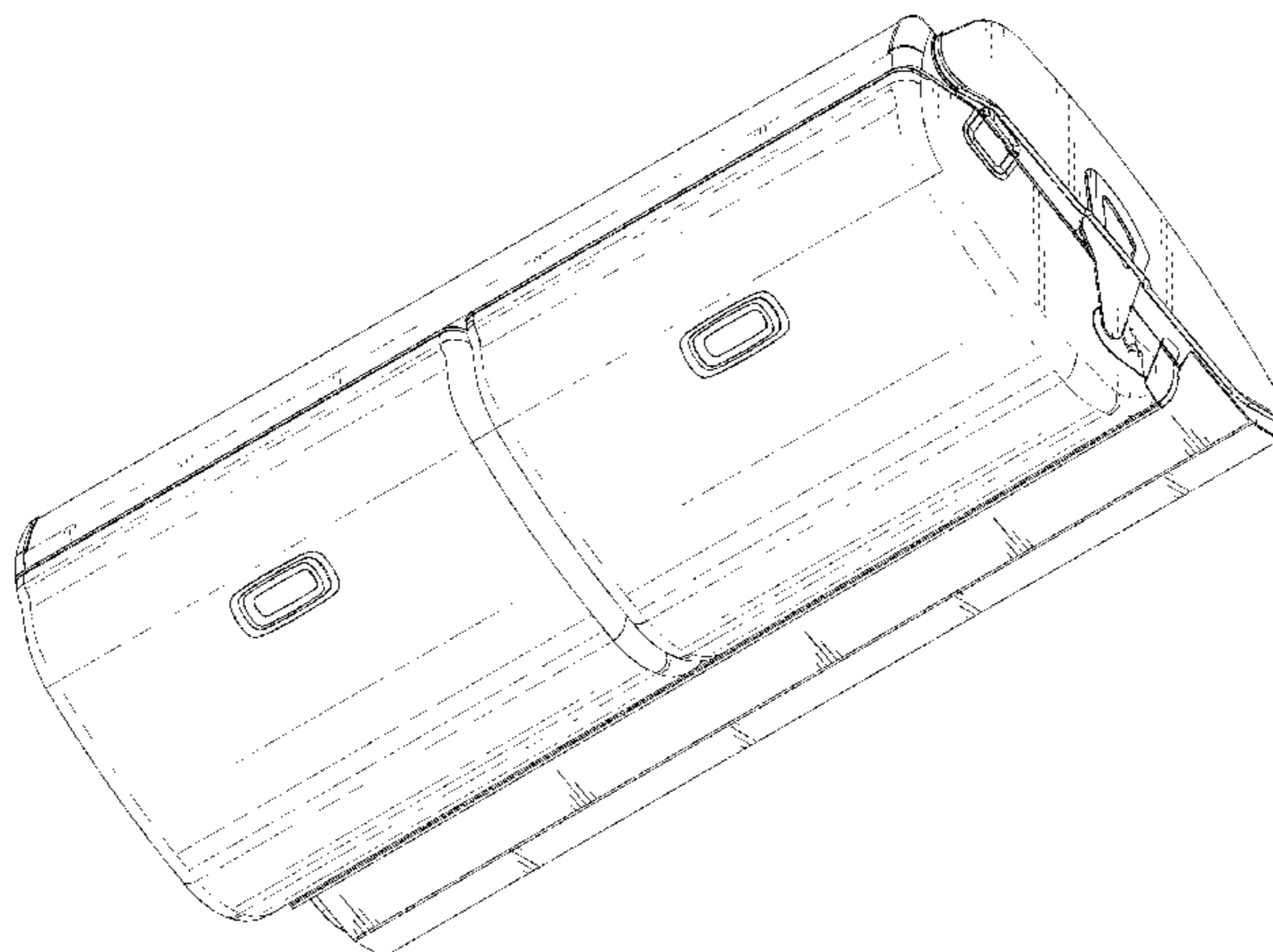
(57) **CLAIM**

The ornamental design for a storage bin for aircraft, as shown and described.

DESCRIPTION

FIG. 1 is a bottom perspective view of the present invention; FIG. 2 is a front elevational view of the present invention shown in FIG. 1; FIG. 3 is a rear elevational view of the present invention shown in FIG. 1; FIG. 4 is a right side elevational view of the present invention shown in FIG. 1, the left side elevational view being a mirror image thereof; FIG. 5 is a top plan view of the present invention shown in FIG. 1; FIG. 6 is a bottom plan view of the present invention shown in FIG. 1; FIG. 7 is a bottom perspective view of a second embodiment of the present invention; FIG. 8 is a front elevational view of the present invention shown in FIG. 7; FIG. 9 is a rear elevational view of the present invention shown in FIG. 7; FIG. 10 is a right side elevational view of the present invention shown in FIG. 7, the left side elevational view being a mirror image thereof; FIG. 11 is a top plan view of the present invention shown in FIG. 7; and, FIG. 12 is a bottom plan view of the present invention shown in FIG. 7.
In the drawings the broken lines depict environmental subject matter only and form no part of the claimed design.

1 Claim, 12 Drawing Sheets



Related U.S. Application Data

is a continuation of application No. 14/179,494, filed on Feb. 12, 2014, now Pat. No. 8,955,805, which is a continuation-in-part of application No. 13/765,652, filed on Feb. 12, 2013, now Pat. No. 9,162,617.

(58) **Field of Classification Search**

CPC B64C 1/062; B64C 39/024; B64C 27/08; B64D 11/0015; B64D 11/003; B64D 11/00

See application file for complete search history.

(56) **References Cited**

U.S. PATENT DOCUMENTS

4,917,747	A	4/1990	Chin et al.	
5,108,048	A	4/1992	Chang	
5,129,597	A	7/1992	Manthey	
5,383,628	A	1/1995	Harriehausen	
5,456,529	A	10/1995	Cheung	
5,460,252	A	10/1995	Kosugi	
5,567,028	A	10/1996	Lutovsky et al.	
5,651,733	A	7/1997	Daimler-Benz	
5,709,460	A	1/1998	Lester	
5,823,472	A	10/1998	Luria	
5,842,668	A	12/1998	Spencer	
5,934,615	A	8/1999	Treichler et al.	
6,045,204	A	4/2000	Frazier et al.	
6,315,436	B1	11/2001	Schenk et al.	
6,338,517	B1	1/2002	Canni	
6,350,048	B1	2/2002	Stanton	
D457,480	S *	5/2002	Natsume	D12/345
6,398,163	B1	6/2002	Welch	
6,402,354	B1	6/2002	Tatewaki	
D463,357	S *	9/2002	Granzeier	D12/345
6,494,404	B1	12/2002	Meyer	
6,550,878	B2	4/2003	Nott et al.	
6,574,835	B2	6/2003	Melhuish	
6,634,061	B1	10/2003	Maynard	
6,886,781	B2	5/2005	Lau	
7,090,314	B2	8/2006	Burrows et al.	
D533,129	S *	12/2006	Guard	D12/345
7,258,406	B2	8/2007	Stephan et al.	
7,302,150	B2	11/2007	Druckman et al.	
7,422,352	B2	9/2008	Sakakibara	
D589,871	S *	4/2009	Bock	D12/345
D597,473	S *	8/2009	Schuephaus	D12/345
7,601,004	B2	10/2009	Lamoree et al.	

D610,521	S *	2/2010	Pirie	D12/345
7,896,530	B2	3/2011	Budinger	
7,966,696	B2	6/2011	Krammer	
7,992,928	B2	8/2011	Kimizuka	
8,011,618	B2	9/2011	Bock	
8,016,231	B2	9/2011	Hillen et al.	
8,136,897	B2	3/2012	Mascari	
8,146,227	B2	4/2012	Schmitz et al.	
8,651,548	B2	2/2014	Shirase	
D714,210	S *	9/2014	Burrows	D12/345
8,882,383	B2 *	11/2014	Winkler	B64D 11/0007 244/118.1
9,033,279	B2 *	5/2015	Graf	B64D 11/003 244/118.5
9,090,351	B1 *	7/2015	Frazier	B64D 11/003
D743,322	S *	11/2015	Zuber	D12/345
D746,759	S *	1/2016	Kammerer	D12/345
9,371,674	B2 *	6/2016	Daul	E05D 11/00
2003/0046792	A1	3/2003	Thorn et al.	
2004/0245897	A1	12/2004	Stephan et al.	
2006/0175368	A1	8/2006	Fallis	
2006/0207471	A1	9/2006	Todori et al.	
2006/0214055	A1 *	9/2006	Novak	B64D 11/003 244/118.5
2007/0053188	A1	3/2007	New et al.	
2008/0078871	A1	4/2008	Munson	
2008/0112754	A1 *	5/2008	Schmitz	B60R 5/003 403/350
2008/0122331	A1	5/2008	Haeberle	
2009/0300884	A1	12/2009	Morgan et al.	
2010/0206985	A1	8/2010	Rahlff	
2011/0139929	A1 *	6/2011	Young	B64D 11/003 244/118.5
2011/0163697	A1 *	7/2011	Mizukami	B60Q 3/0283 315/324
2011/0240796	A1 *	10/2011	Schneider	B64D 11/00 244/118.5
2011/0253837	A1 *	10/2011	Lee	B64D 11/003 244/118.5
2012/0012707	A1 *	1/2012	Schliwa	B64D 11/003 244/118.5
2012/0038254	A1	2/2012	Rafler	
2012/0074258	A1	3/2012	Papke	
2012/0228426	A1	9/2012	Schneider et al.	
2012/0273615	A1	11/2012	Rafler	
2013/0208490	A1 *	8/2013	Savian	B64D 11/0015 362/471

* cited by examiner

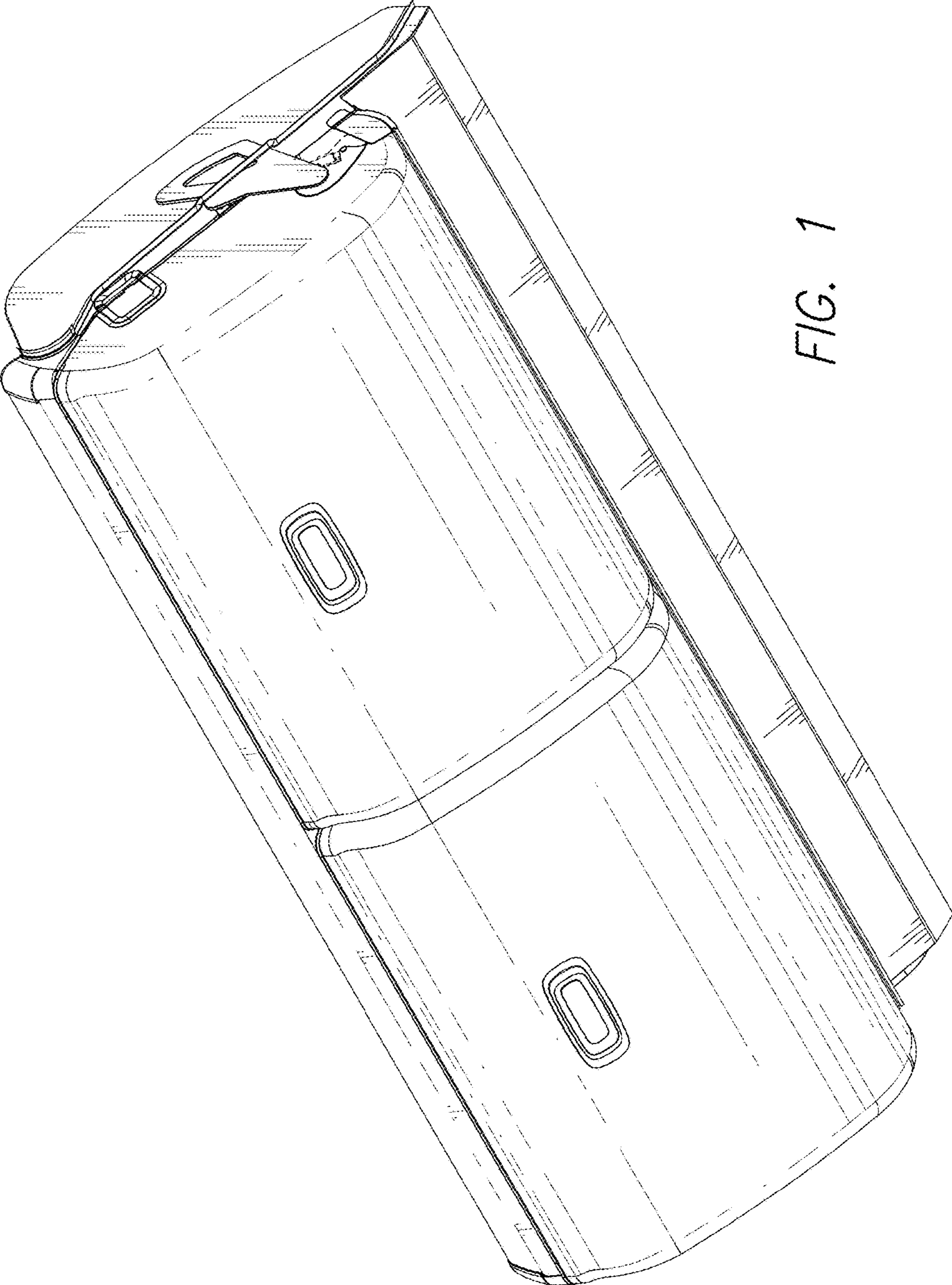


FIG. 1

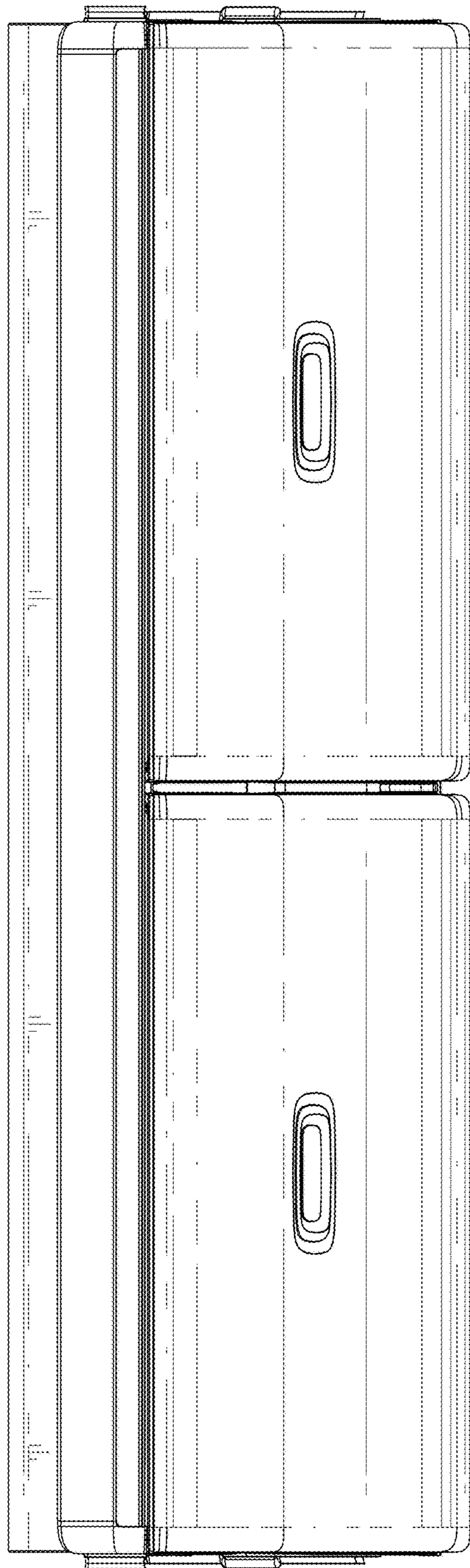


FIG. 2

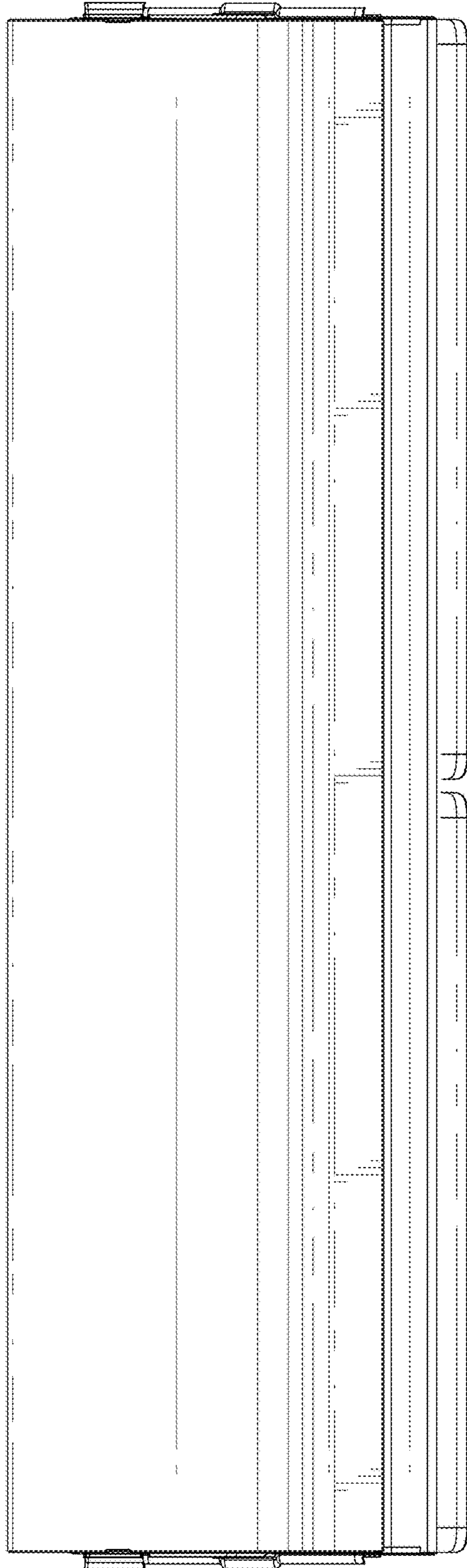


FIG. 3

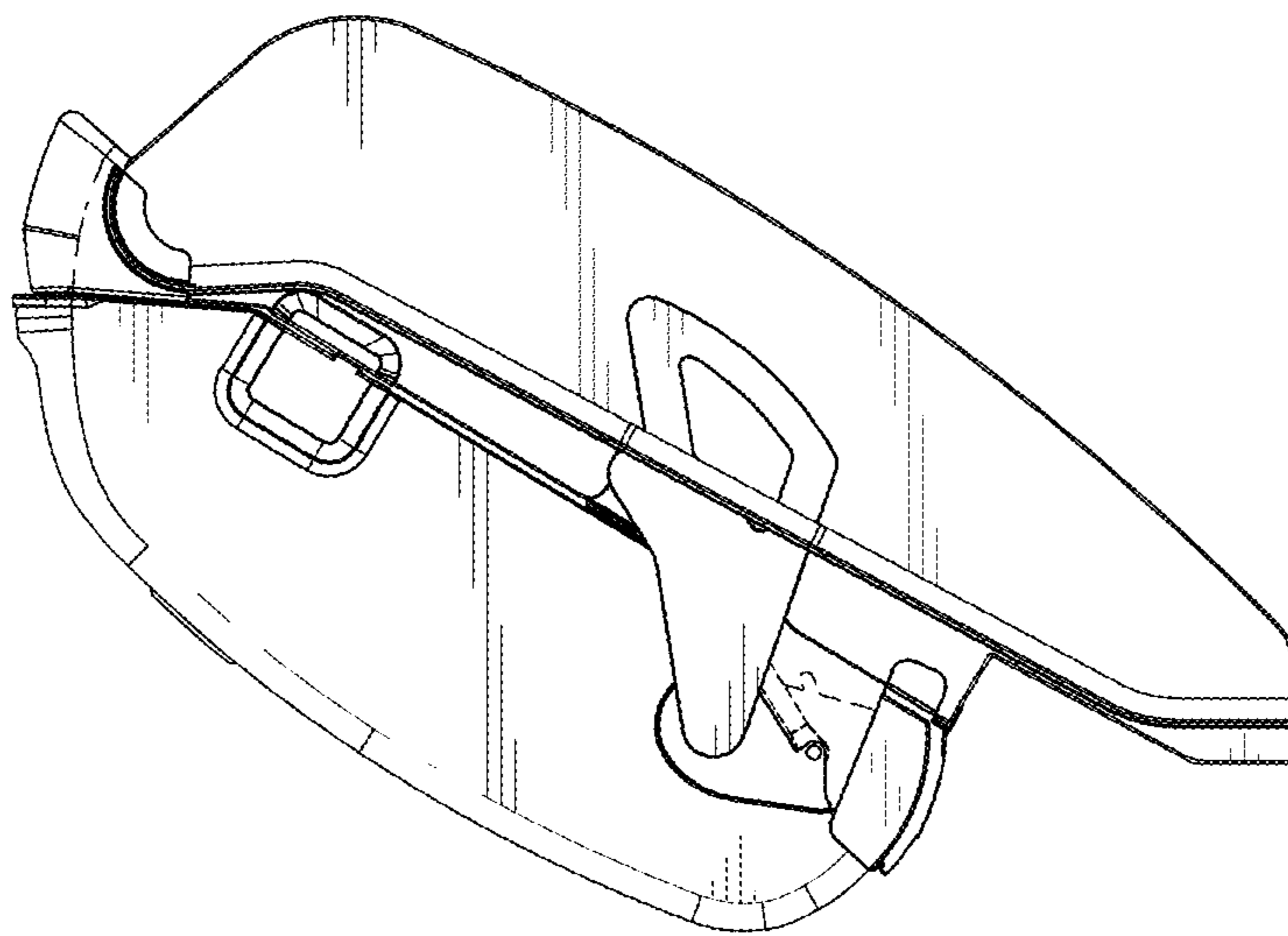


FIG. 4

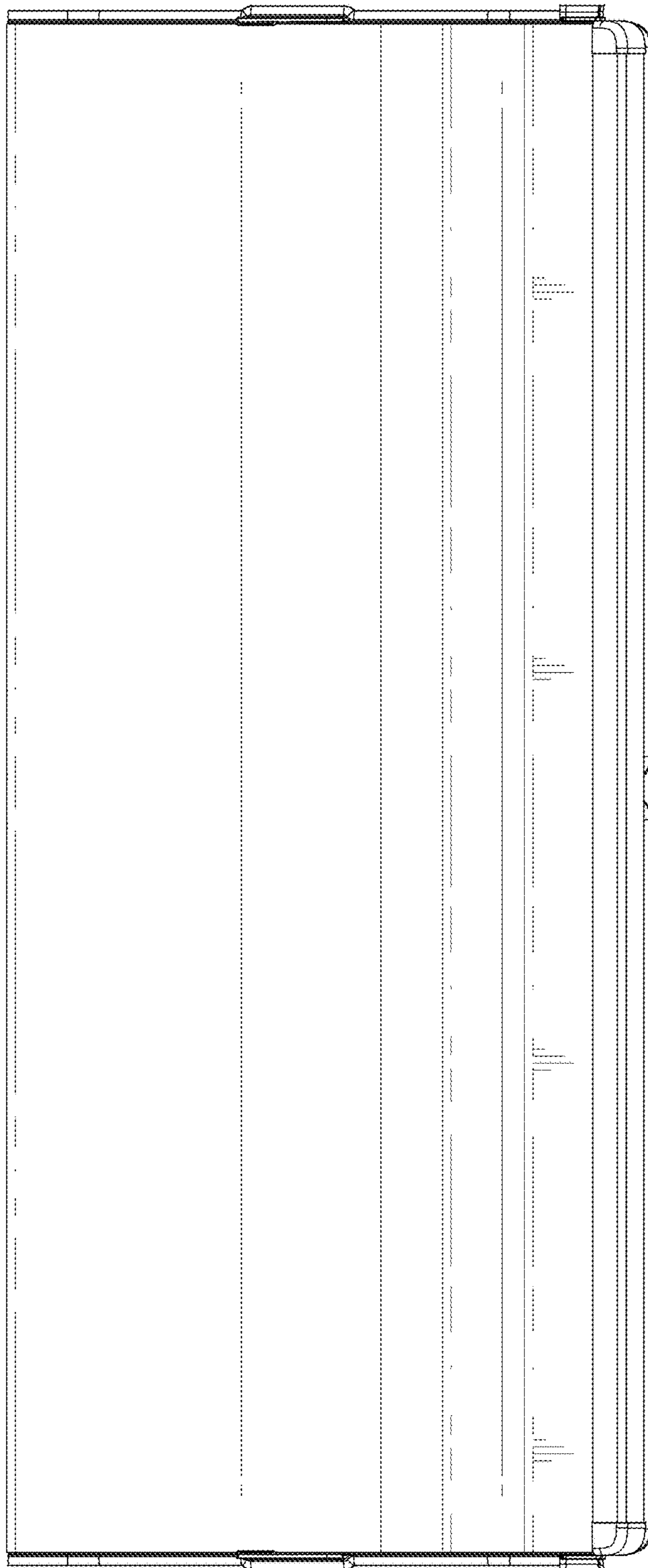


FIG. 5

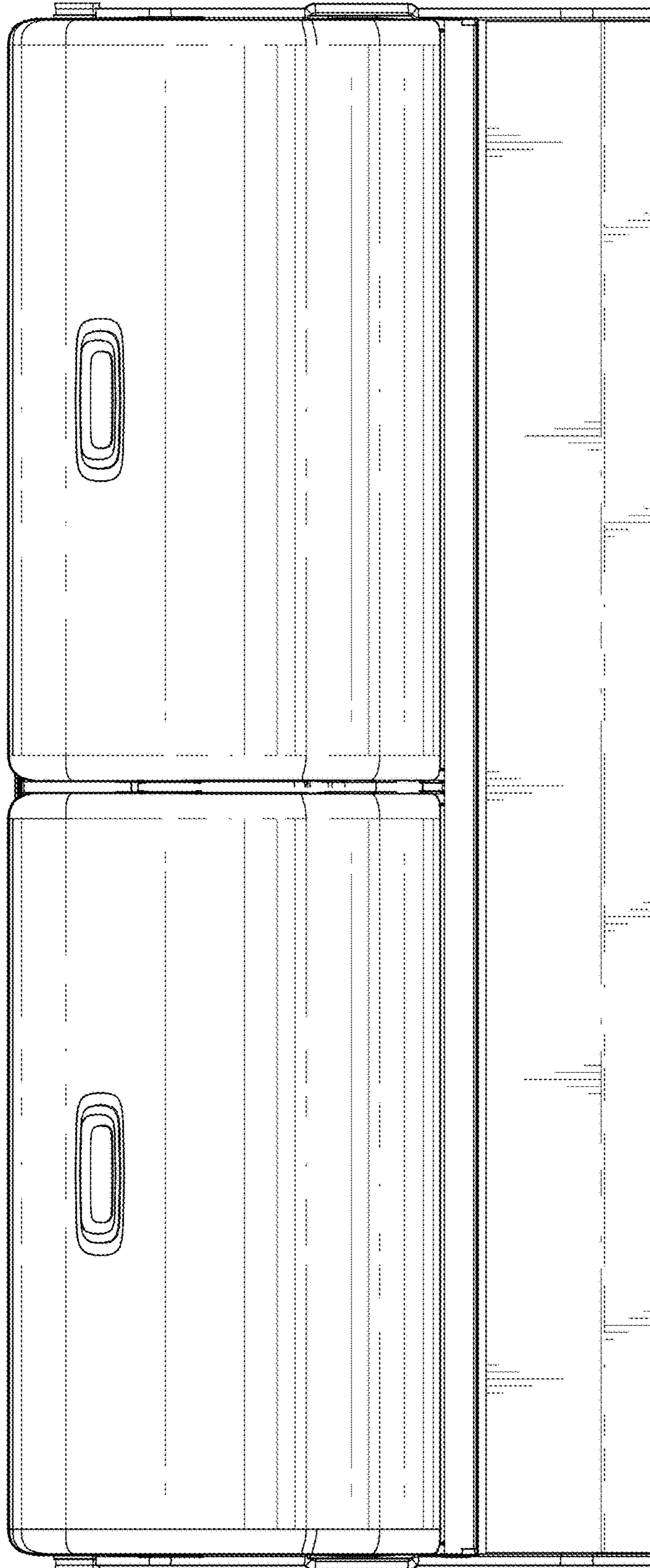


FIG. 6

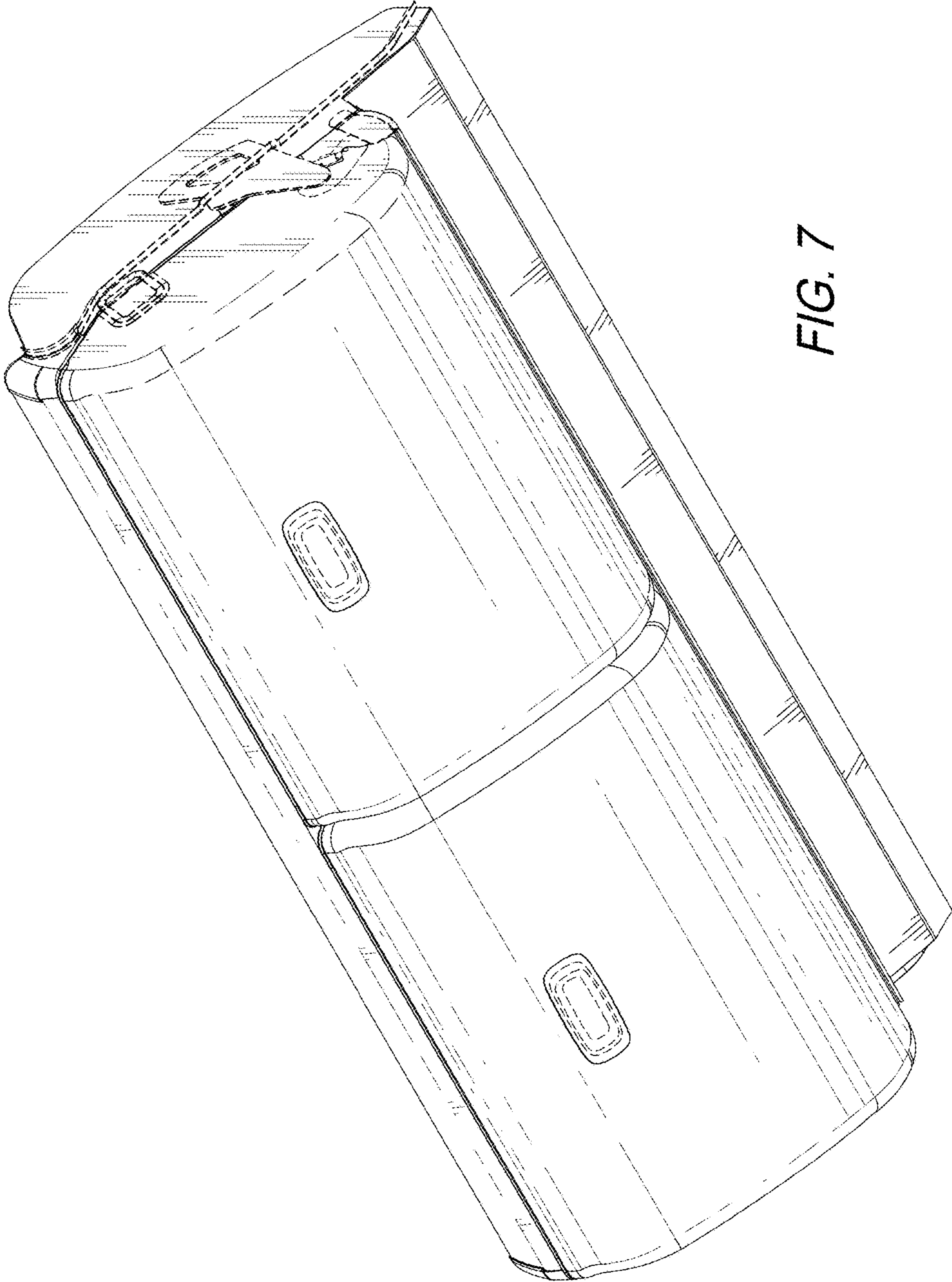


FIG. 7

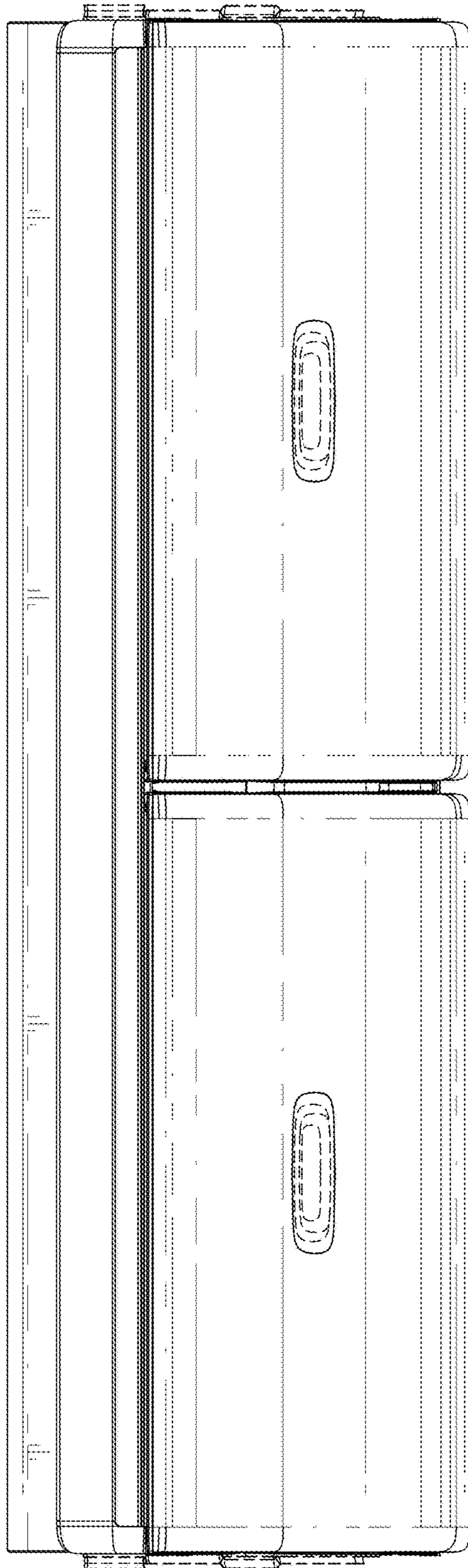


FIG. 8

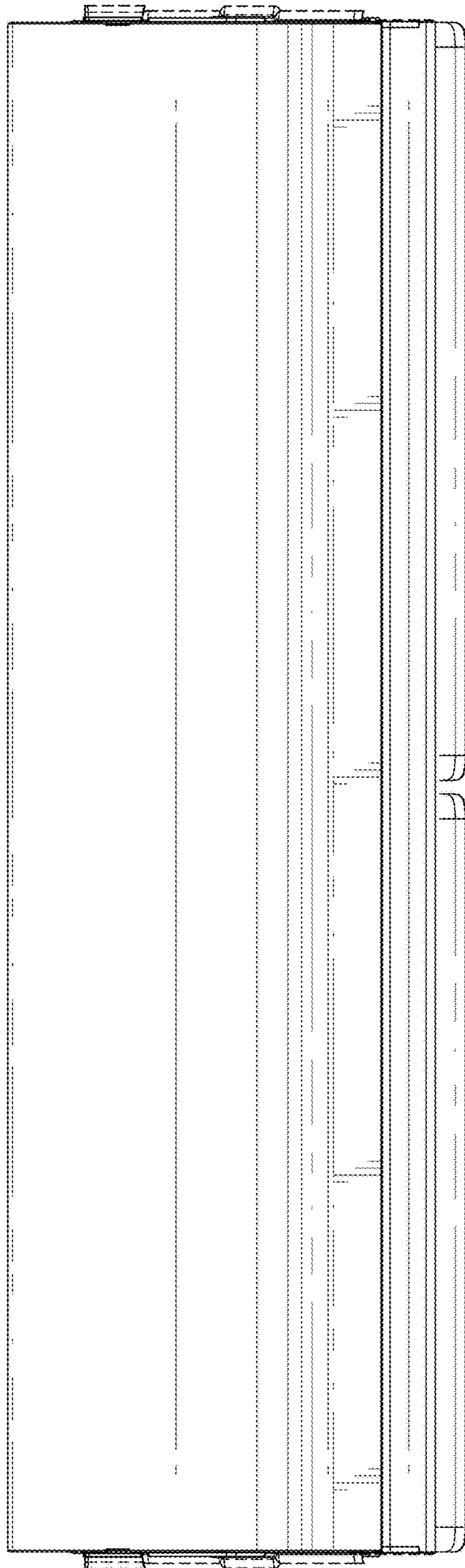


FIG. 9

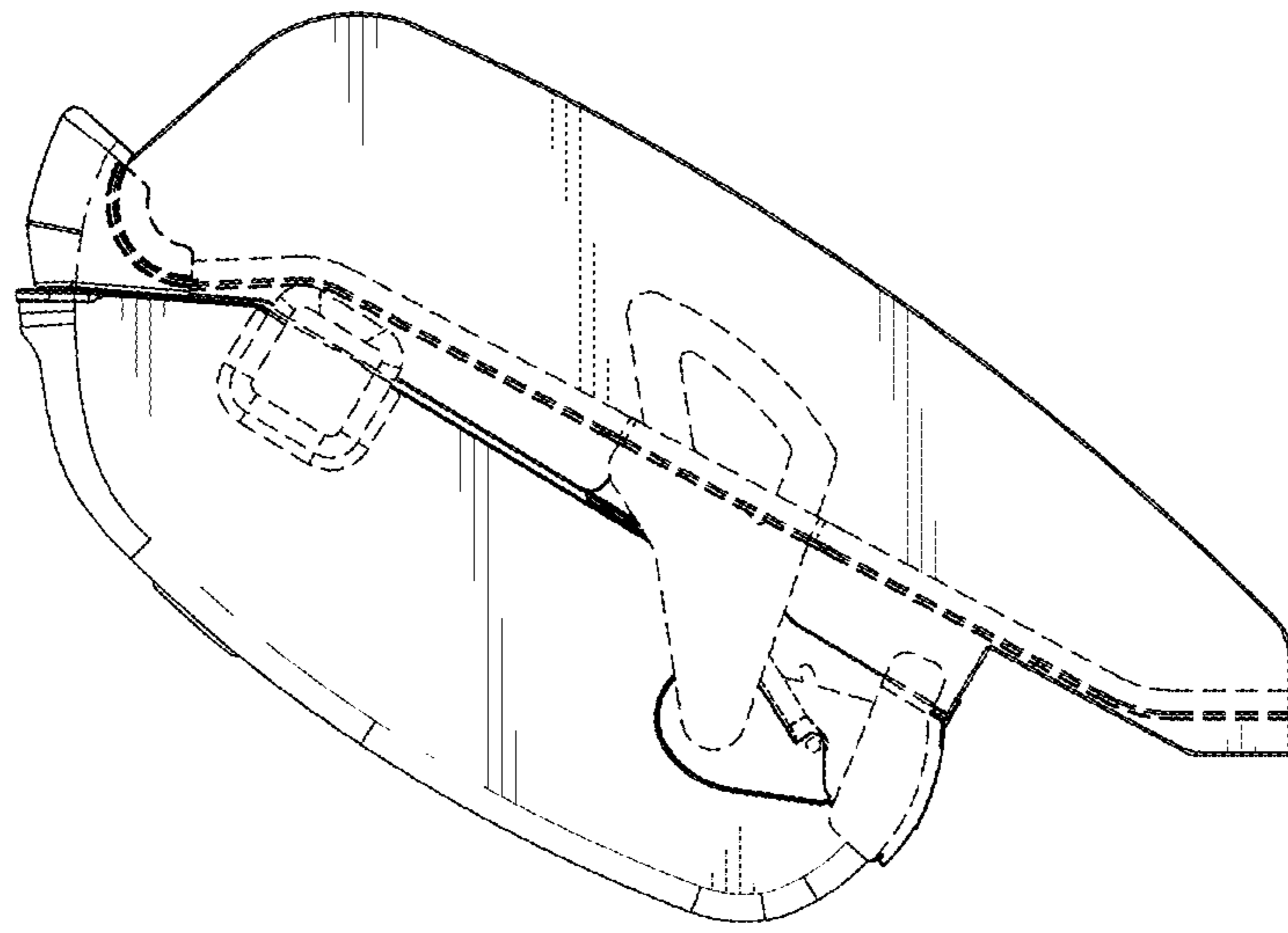


FIG. 10

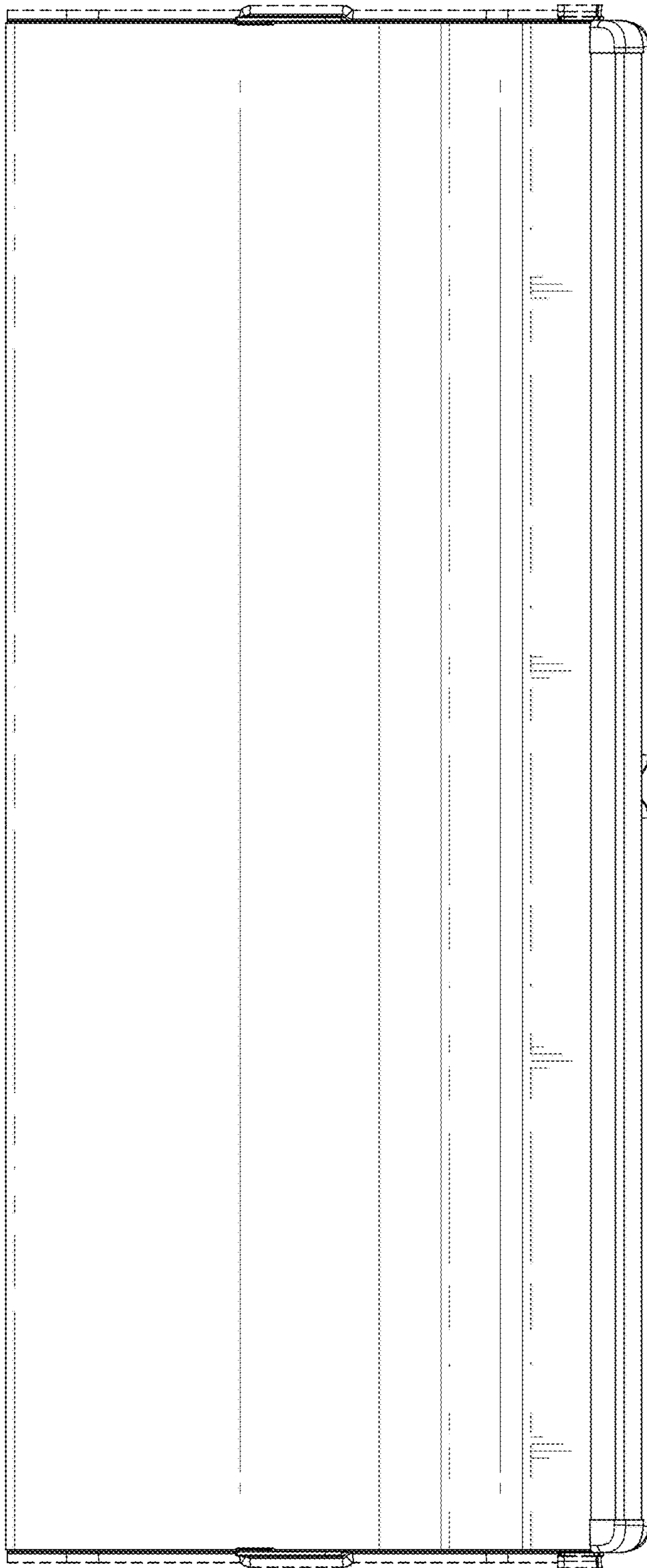


FIG. 11

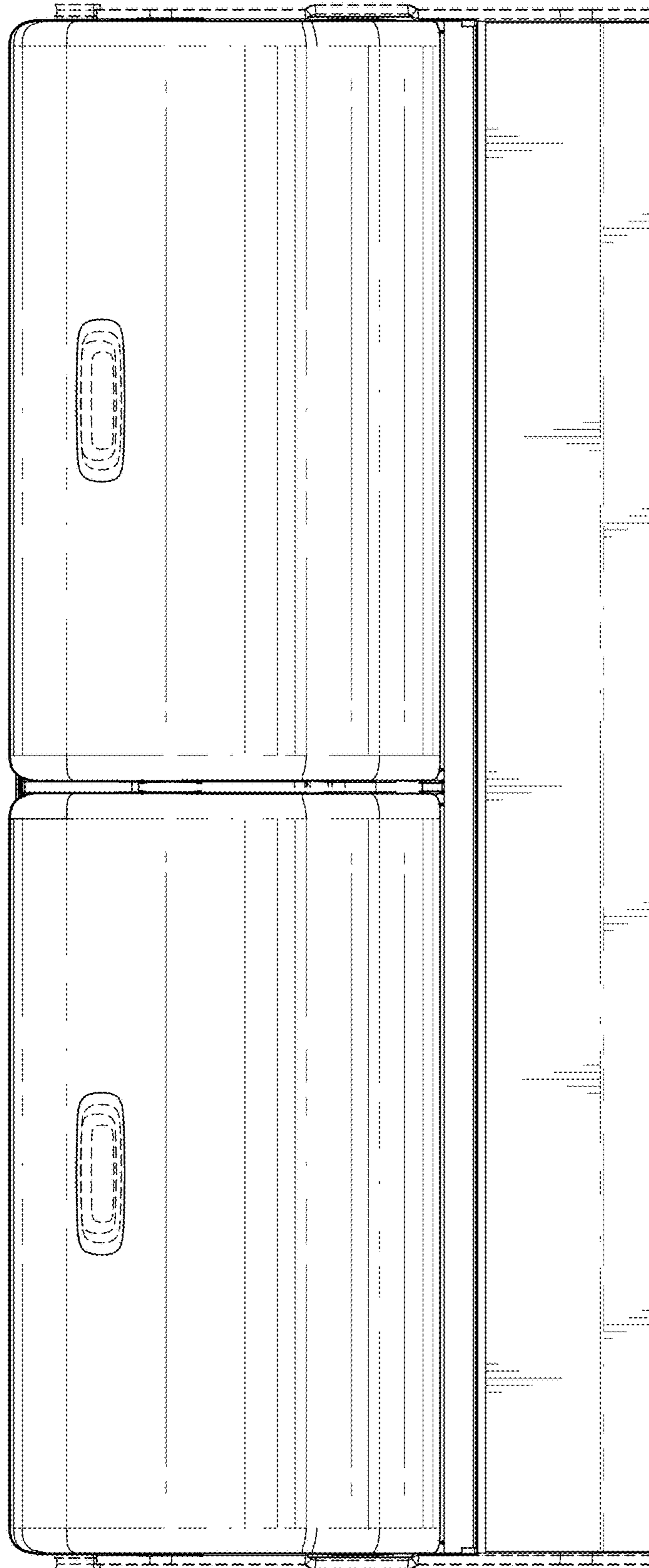


FIG. 12