



US00D784903S

(12) **United States Design Patent** (10) **Patent No.:** **US D784,903 S**
Adams (45) **Date of Patent:** **** Apr. 25, 2017**

(54) **AIRPLANE WITH LIVERY**
(71) Applicant: **Monarch Holdings Limited**, Luton,
Bedfordshire (GB)
(72) Inventor: **Mick Adams**, Luton (GB)
(73) Assignee: **Monarch Holdings Limited**, Luton,
Bedfordshire (GB)

D495,653 S * 9/2004 Eatkins D12/319
D500,281 S * 12/2004 Aruga D12/319
D504,862 S * 5/2005 Seidel D12/319
D505,204 S * 5/2005 Eatkins
D515,012 S * 2/2006 Eatkins D12/319
D515,013 S * 2/2006 Eatkins D12/319
D516,995 S * 3/2006 Eatkins D12/319
D529,857 S * 10/2006 Eakins D12/319
D530,658 S * 10/2006 Vigneron D12/319
D531,954 S * 11/2006 Eakins D12/319

(Continued)

(**) Term: **15 Years**
(21) Appl. No.: **29/550,993**
(22) Filed: **Jan. 8, 2016**

OTHER PUBLICATIONS

Monarch. insider Media Limited. dated Jun. 27, 2016. found online
[Jan. 18, 2017] https://www.insidermedia.com/insider/national/monarch-seeks-35m-cash-injection.*

Related U.S. Application Data

(63) Continuation-in-part of application No. 29/468,847,
filed on Oct. 3, 2013, now abandoned.
(51) **LOC (10) Cl.** **12-07**
(52) **U.S. Cl.**
USPC **D12/343**
(58) **Field of Classification Search**
USPC D12/16.1, 319-345; D21/436, 441-444,
D21/446-453
CPC B64C 1/062; B64C 39/024; B64C 27/08;
B64C 29/00; B64C 39/00; B64C 23/00
See application file for complete search history.

Primary Examiner — Robert M Spear
Assistant Examiner — Marissa J Cash
(74) *Attorney, Agent, or Firm* — Andrew W. Chu; Craft
Chu PLLC

(57) **CLAIM**

The ornamental design for an airplane with livery, as shown
and described.

DESCRIPTION

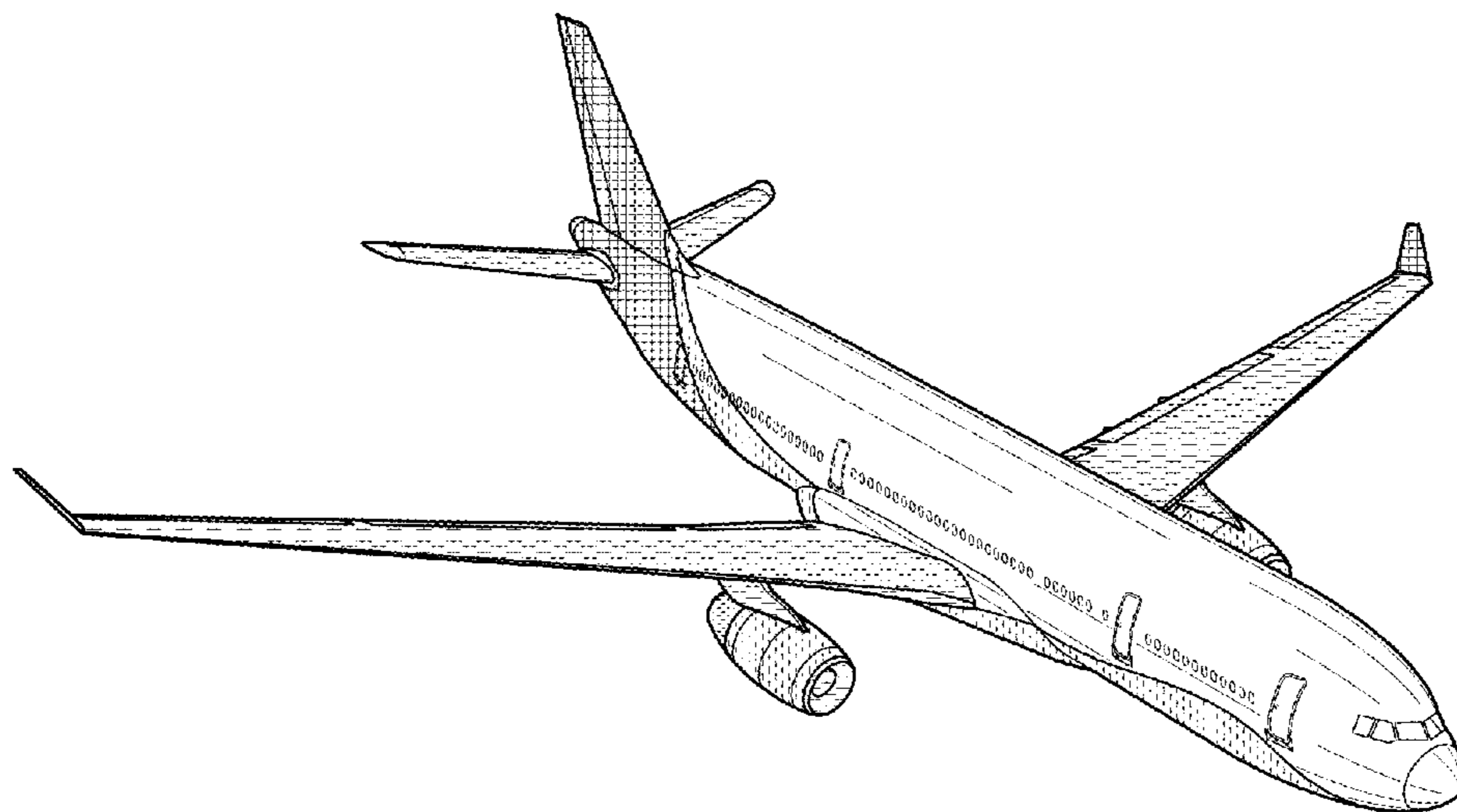
FIG. 1 is an upper perspective side elevation view of the
airplane with livery showing my design with a first patterned
surface on the wings, a second patterned surface on the belly,
and a third patterned surface on the tail.
FIG. 2 is an opposite side elevation view thereof;
FIG. 3 is an opposite side elevation view thereof;
FIG. 4 is a top plan view thereof;
FIG. 5 is a front elevation view thereof;
FIG. 6 is a bottom plan view thereof; and,
FIG. 7 is a rear elevation view thereof.
Contrasting colors shown by first, second, and third pat-
terned surfaces.

(56) **References Cited**

U.S. PATENT DOCUMENTS

D172,880 S 8/1954 Johnson et al.
D173,032 S 9/1954 Johnson et al.
D177,327 S 4/1956 Holtby
3,109,614 A 11/1963 Steidl
D231,605 S * 5/1974 Frajola D12/337
D231,606 S * 5/1974 Blattner D12/337
D308,663 S * 6/1990 Carlson D12/337
D359,472 S 6/1995 Day
D386,143 S 11/1997 Astaire
D421,955 S * 3/2000 Birrenbach D12/319
D491,875 S * 6/2004 Eatkins D12/319

1 Claim, 3 Drawing Sheets



(56)

References Cited

U.S. PATENT DOCUMENTS

D537,029	S	*	2/2007	Eakins	D12/319
D576,938	S	*	9/2008	Moon	D12/343
D589,867	S	*	4/2009	Chesne	D12/343
D612,792	S	*	3/2010	Guering	D12/343
D617,724	S	*	6/2010	Saint-Jalmes	D12/343
D619,076	S	*	7/2010	Guering	D12/343
D624,479	S		9/2010	Guering		
D624,480	S		9/2010	Guering		
D628,528	S	*	12/2010	Cabezas Carrasco	D12/319
D629,349	S	*	12/2010	Hwang	D12/319
D644,165	S		8/2011	Fujino		
D665,331	S	*	8/2012	Sands	D12/319
D674,734	S		1/2013	Fujino		
D702,622	S	*	4/2014	Klimov	D12/319
D735,633	S	*	8/2015	Viala	D12/319
D749,488	S	*	2/2016	De Camargo	D12/319
2009/0159751	A1		6/2009	Wittmer		
2012/0138736	A1		6/2012	Cazals		

* cited by examiner

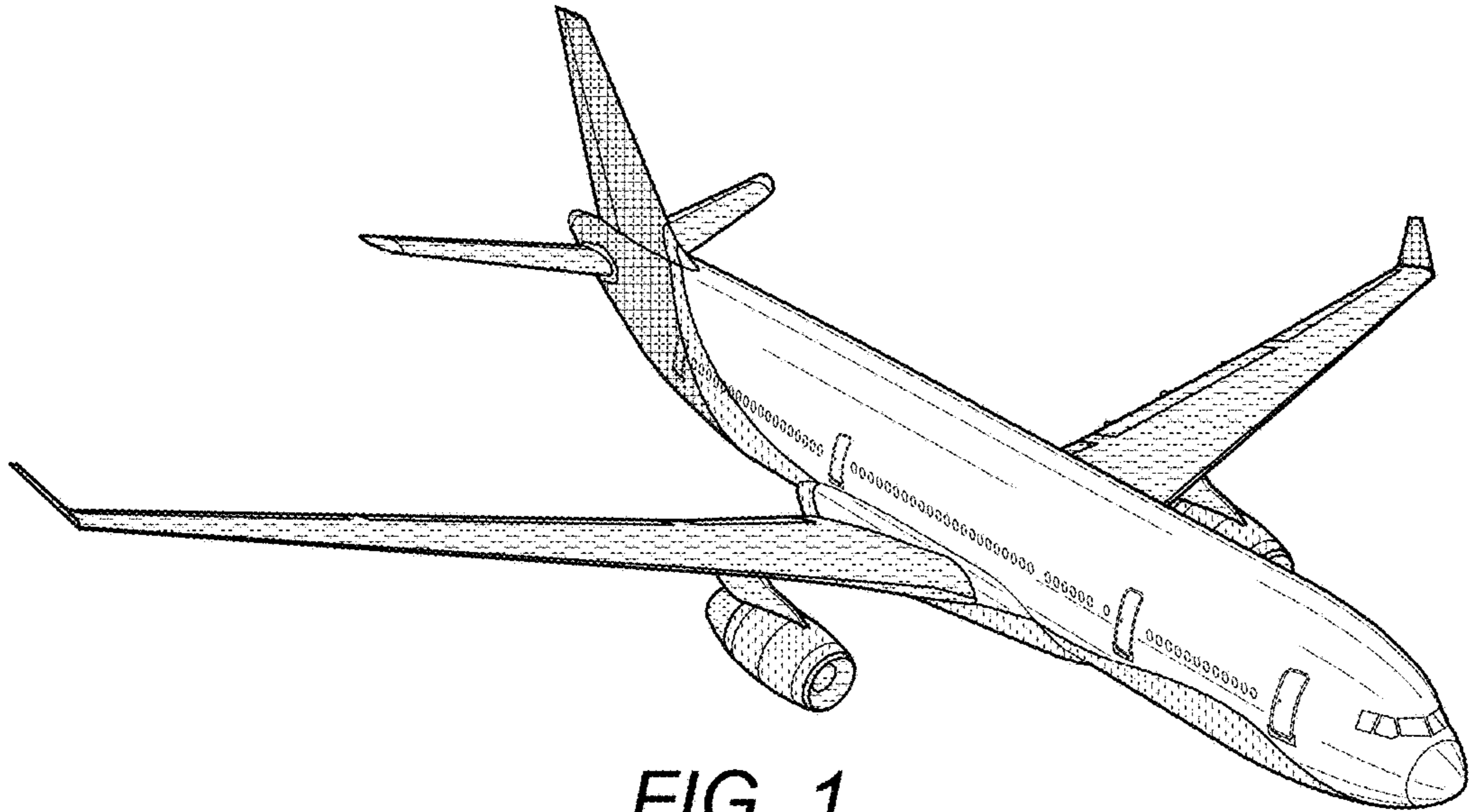


FIG. 1

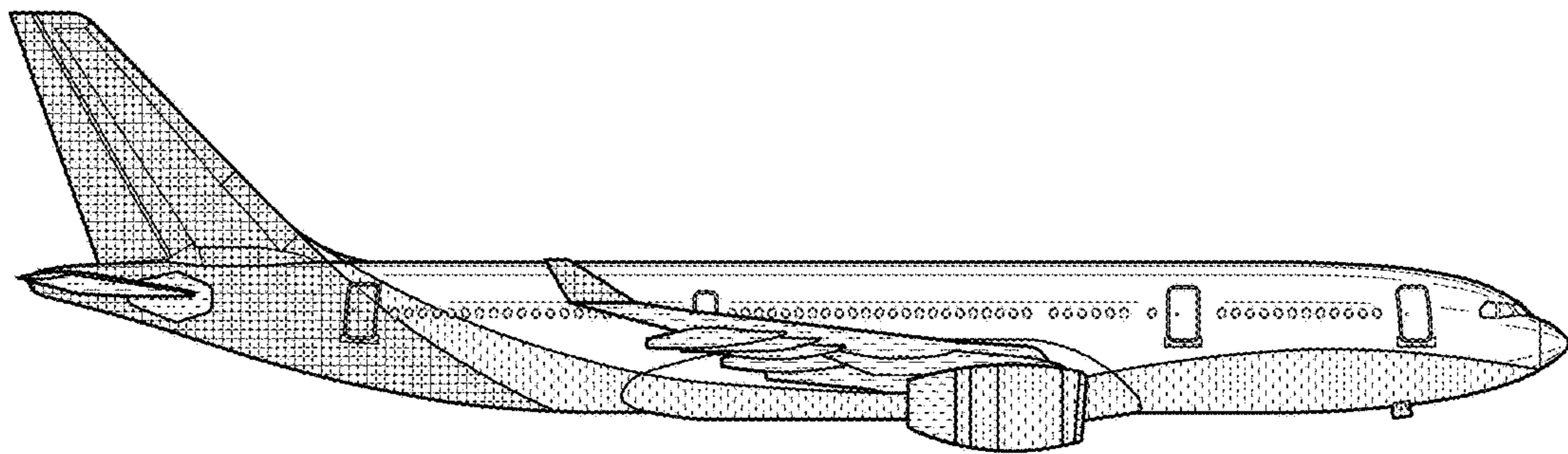


FIG. 2

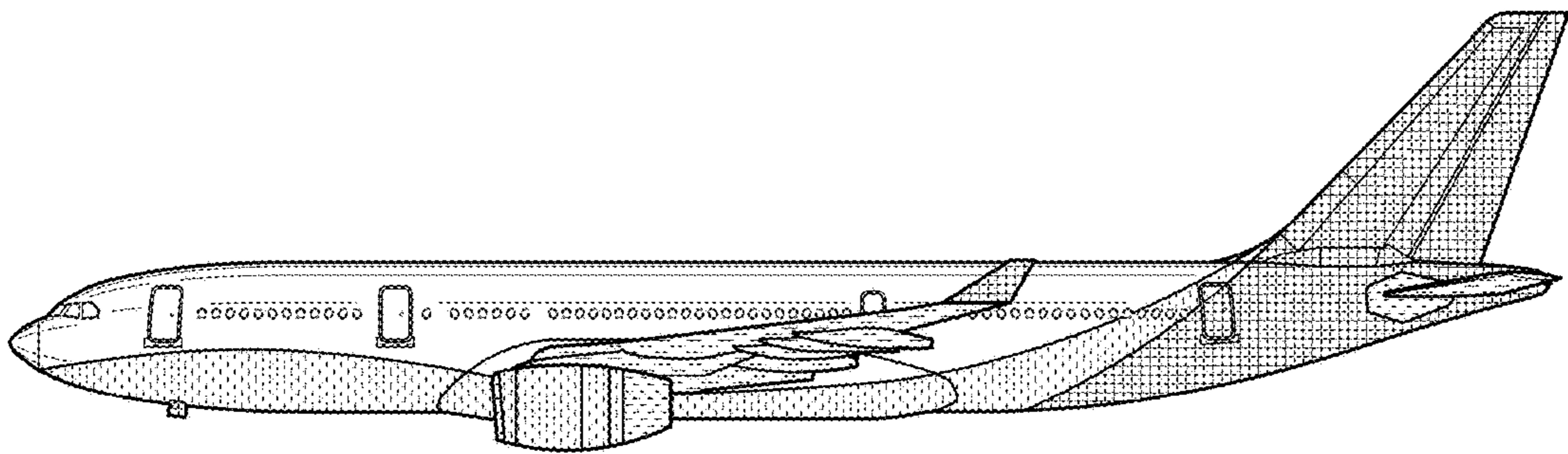


FIG. 3

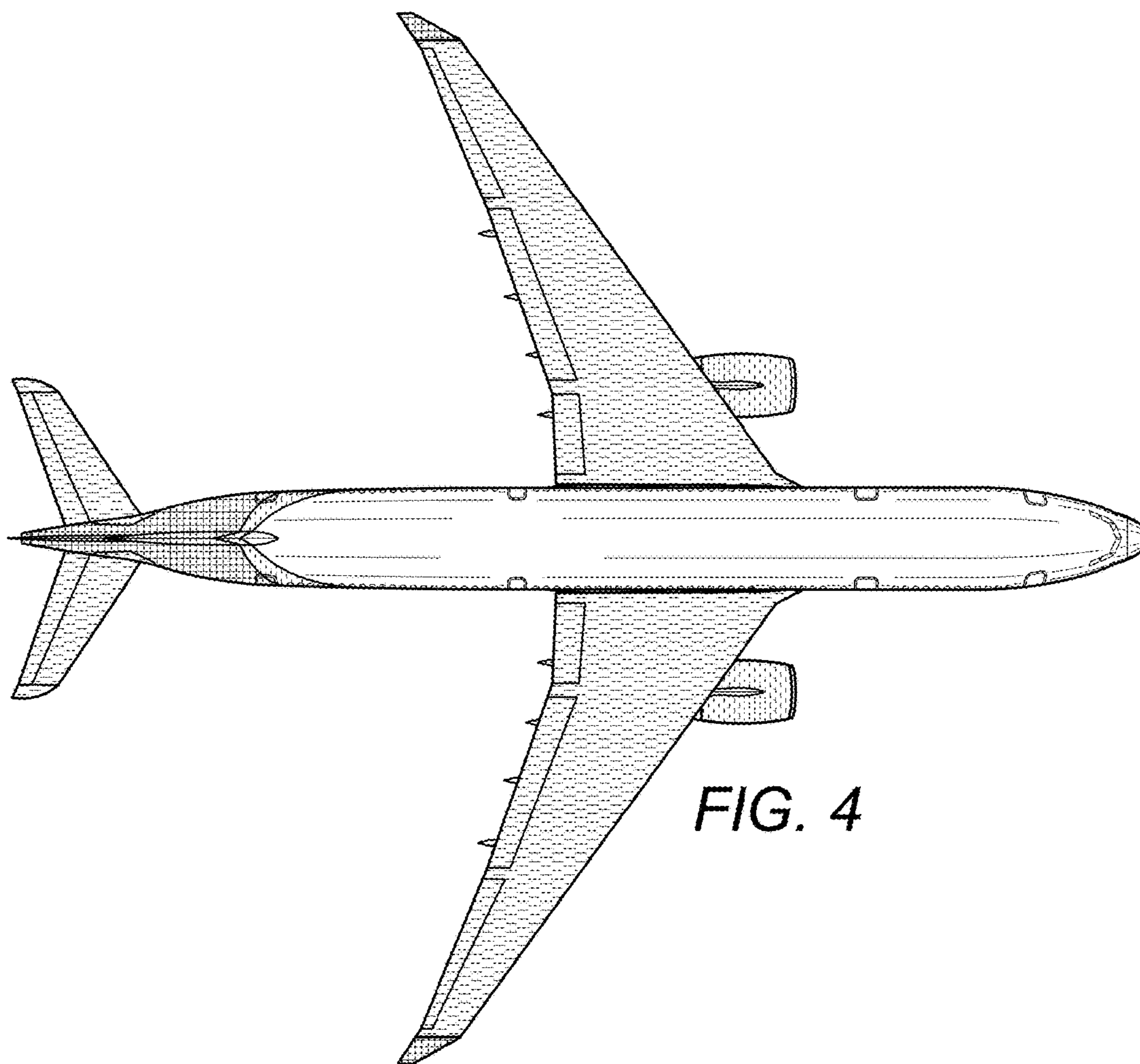


FIG. 4

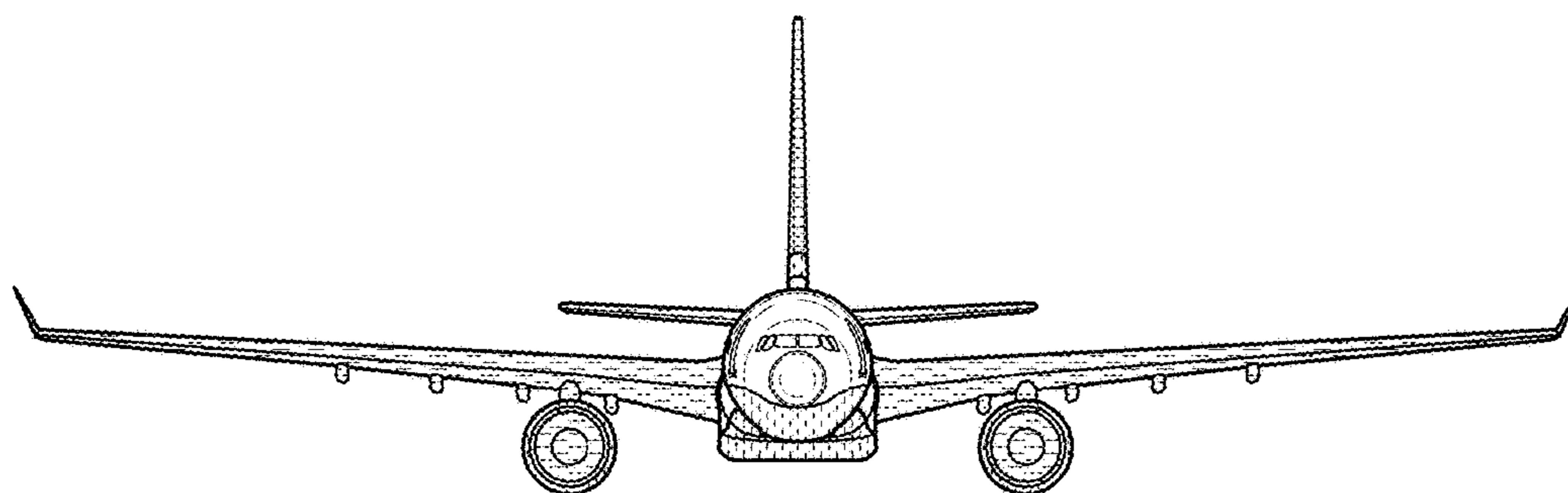


FIG. 5

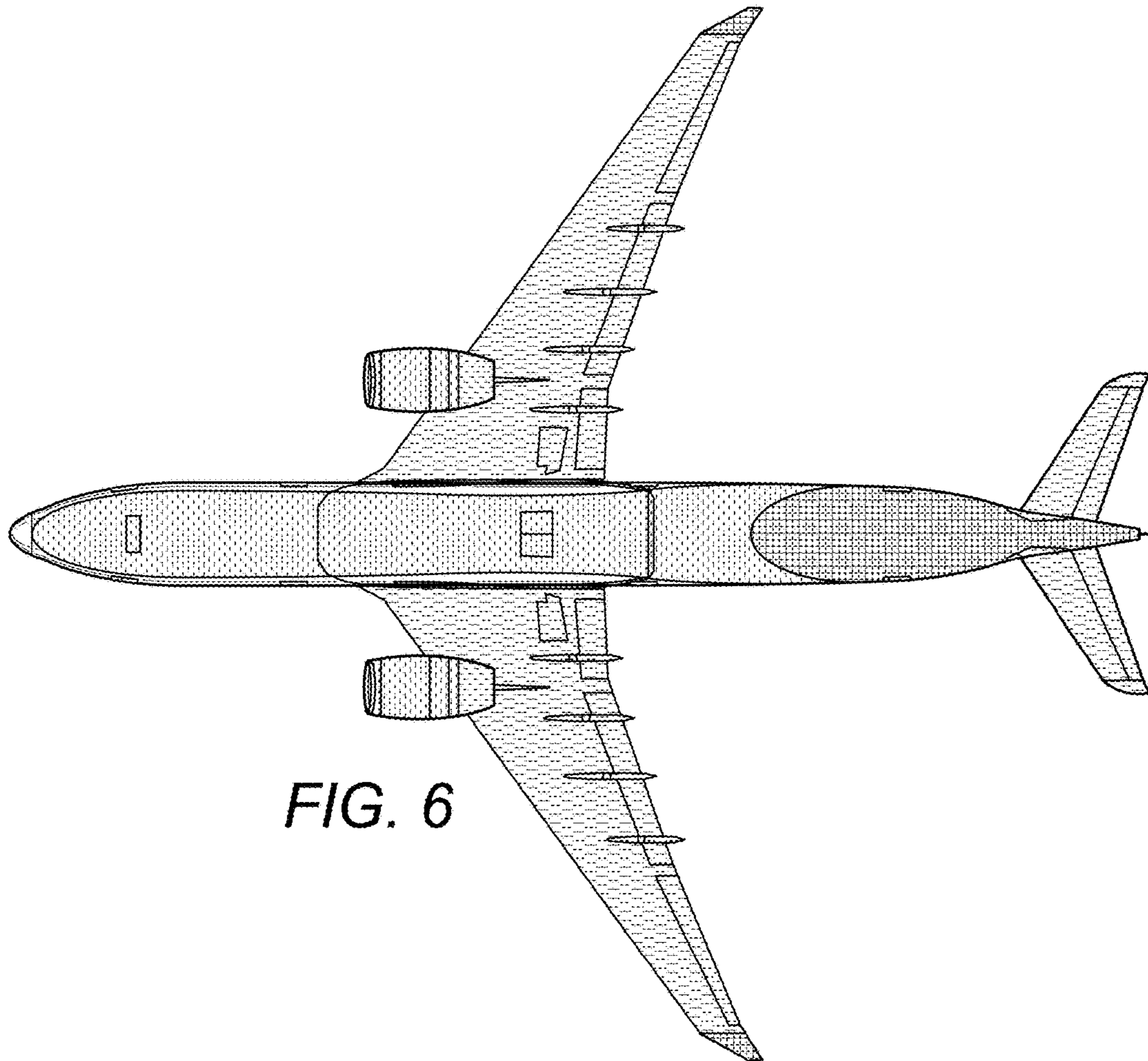


FIG. 6

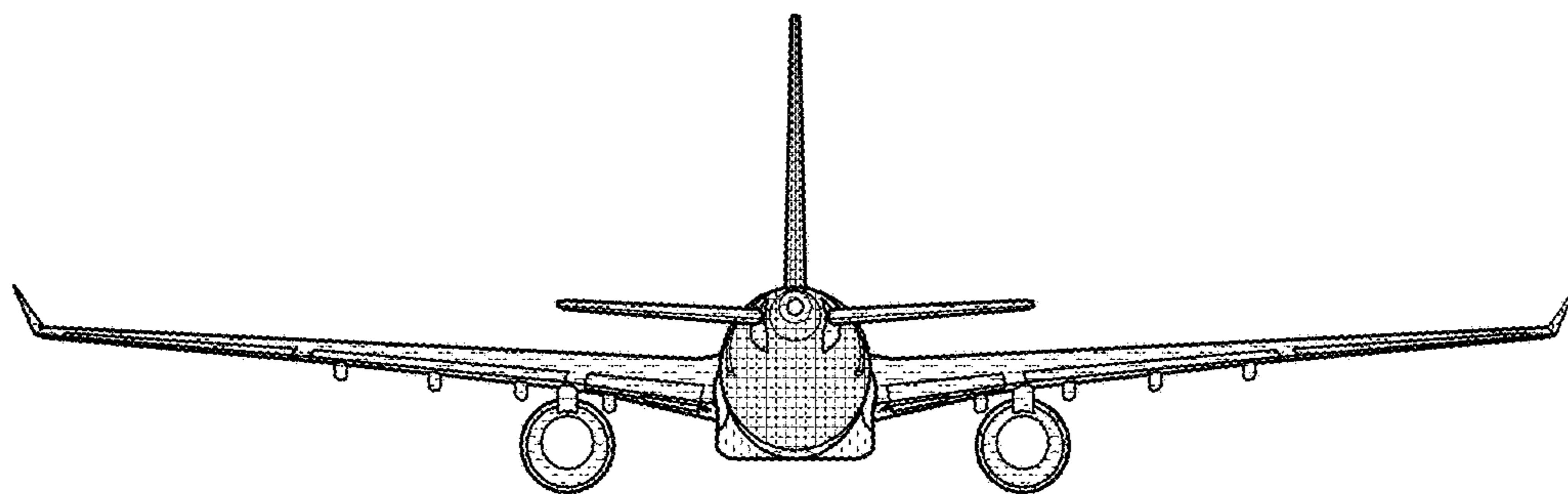


FIG. 7