



US00D784902S

(12) **United States Design Patent** (10) **Patent No.:** **US D784,902 S**  
**Deurr et al.** (45) **Date of Patent:** **\*\* Apr. 25, 2017**

(54) **BOAT DECK WITH CUDDY CABIN**  
(71) Applicant: **PREMIER MARINE, INC.**, Wyoming, MN (US)  
(72) Inventors: **John Deurr**, Stacy, MN (US); **David Grovender**, North Branch, MN (US)  
(73) Assignee: **Premier Marine, Inc.**, Wyoming, MN (US)

D520,441 S \* 5/2006 Guvenc ..... D12/300  
7,040,248 B1 \* 5/2006 Whitfield ..... B63B 29/06  
104/45  
7,117,646 B2 \* 10/2006 Blaisdell ..... B63B 17/00  
114/361  
8,944,867 B2 2/2015 Grovender  
9,403,581 B2 \* 8/2016 Kalil ..... B63B 29/02  
2004/0266282 A1 \* 12/2004 Hahn ..... B63B 29/02  
440/77  
2009/0120341 A1 5/2009 Kalil  
2011/0197800 A1 8/2011 Kalil  
2015/0013585 A1 1/2015 Kalil

(\*\*) Term: **15 Years**

(21) Appl. No.: **29/534,679**

(22) Filed: **Jul. 30, 2015**

(51) **LOC (10) Cl.** ..... **12-06**

(52) **U.S. Cl.**  
USPC ..... **D12/318**

(58) **Field of Classification Search**  
USPC ..... D12/300-318  
CPC ..... B63B 29/00; B63B 29/02; B63B 29/029;  
B63B 29/14; B63B 29/145  
See application file for complete search history.

(56) **References Cited**

U.S. PATENT DOCUMENTS

- 4,092,754 A 6/1978 Yost
- 4,425,861 A \* 1/1984 Raikamo ..... B63B 29/02  
114/202
- 4,685,411 A \* 8/1987 Wick ..... B63B 29/02  
114/202
- 4,729,334 A \* 3/1988 DeJean, Jr. .... B63B 29/04  
114/255
- 5,029,348 A \* 7/1991 Boren ..... B63B 29/14  
4/312
- 5,209,177 A 5/1993 Granie et al.
- D341,566 S \* 11/1993 Brooks ..... D12/310
- 6,701,863 B2 \* 3/2004 Kalhok ..... B63B 17/02  
114/343
- D516,495 S 3/2006 Menne

*Primary Examiner* — Cynthia M Chin  
(74) *Attorney, Agent, or Firm* — Winthrop & Weinstine, P.A.

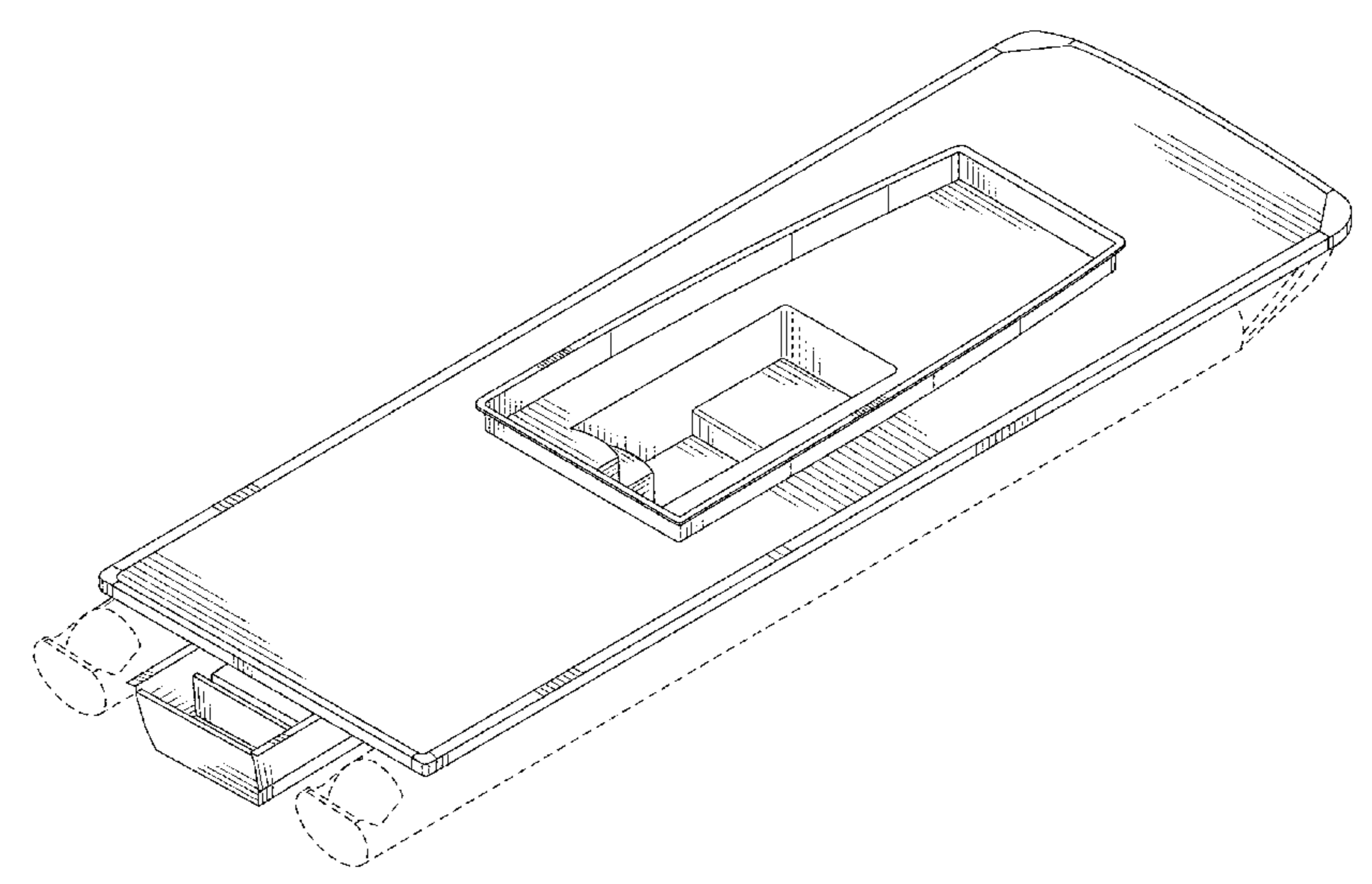
(57) **CLAIM**

The ornamental design for a boat deck with cuddy cabin, as shown and described.

**DESCRIPTION**

FIG. 1 is a perspective view of a boat deck with cuddy cabin showing our new design;  
FIG. 2 is a top view of the boat deck with cuddy cabin shown in FIG. 1;  
FIG. 3 is a bottom view of the boat deck with cuddy cabin shown in FIG. 1;  
FIG. 4 is a right side view of the boat deck with cuddy cabin shown in FIG. 1;  
FIG. 5 is a left side view of the boat deck with cuddy cabin shown in FIG. 1;  
FIG. 6 is a front view of the boat deck with cuddy cabin shown in FIG. 1; and,  
FIG. 7 is a rear view of the boat deck with cuddy cabin shown in FIG. 1.  
The broken lines shown are included for the purpose of illustrating the unclaimed portions of the article and form no part of the claimed design.

**1 Claim, 5 Drawing Sheets**



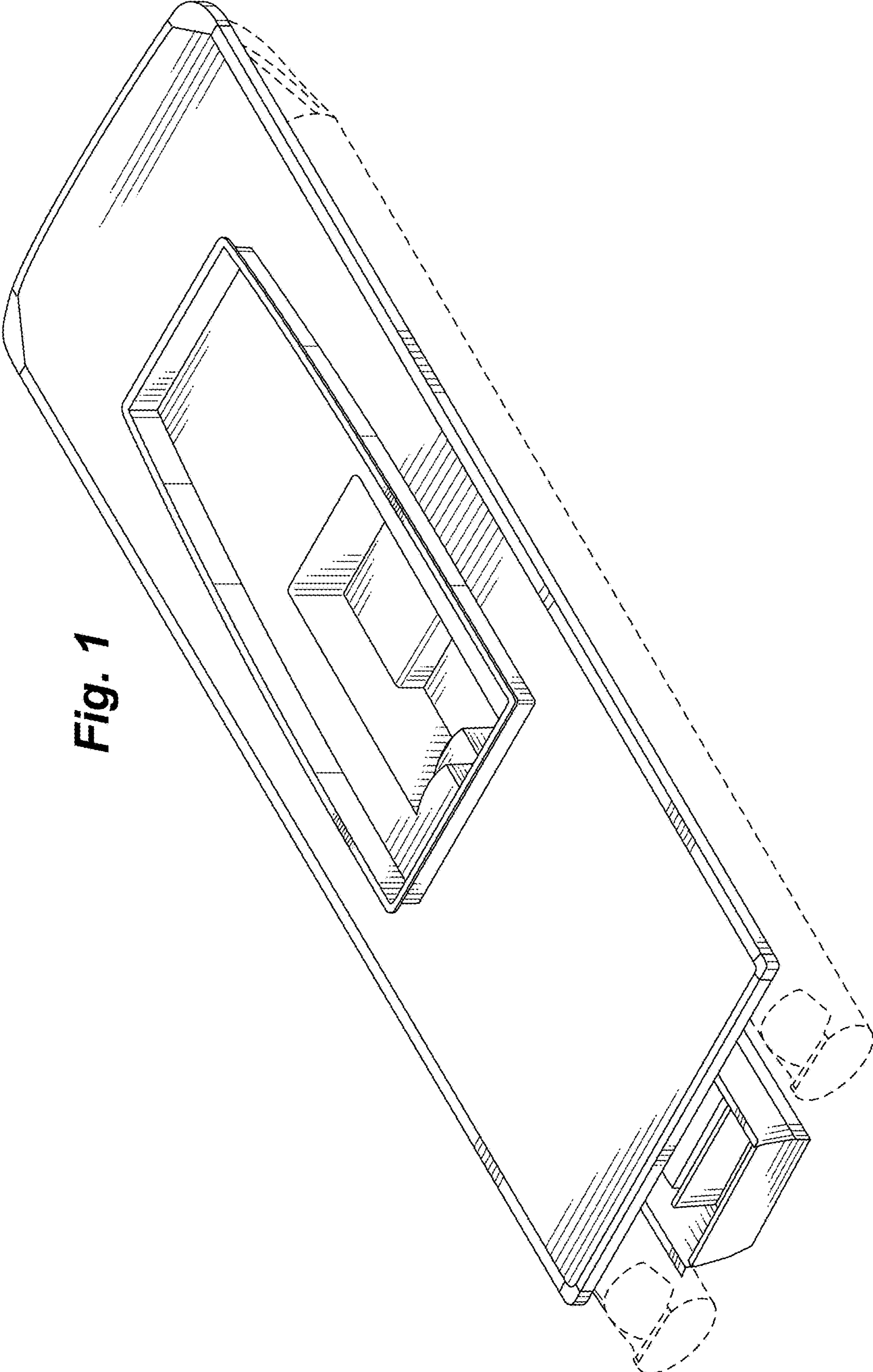
(56)

**References Cited**

U.S. PATENT DOCUMENTS

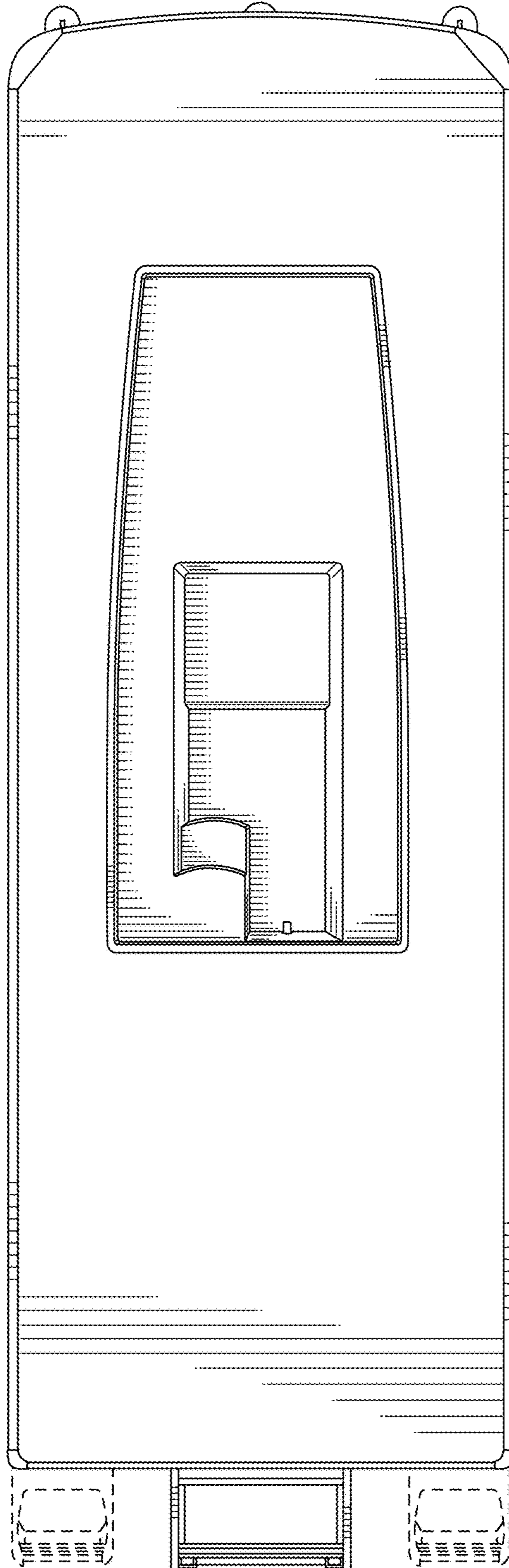
2015/0232151 A1\* 8/2015 Fuller, IV ..... B63B 19/18  
114/117

\* cited by examiner

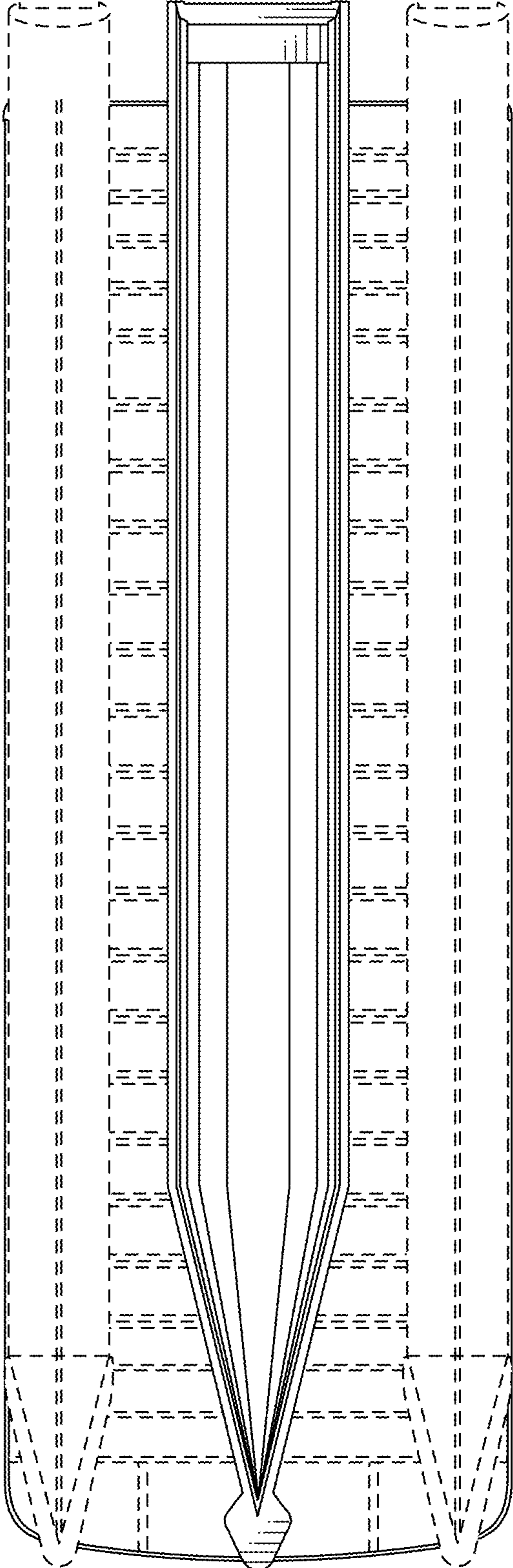


**Fig. 1**

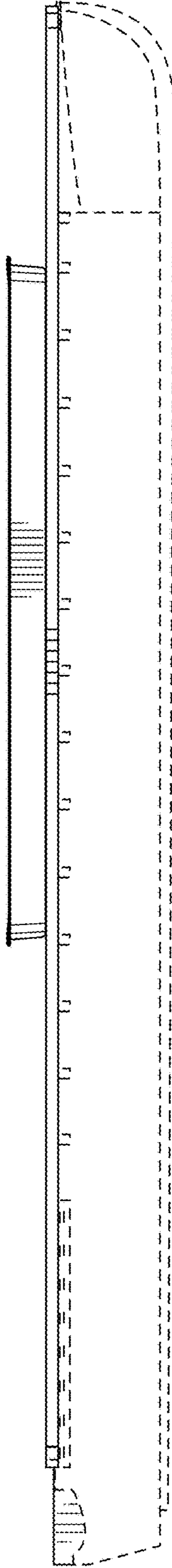
**Fig. 2**



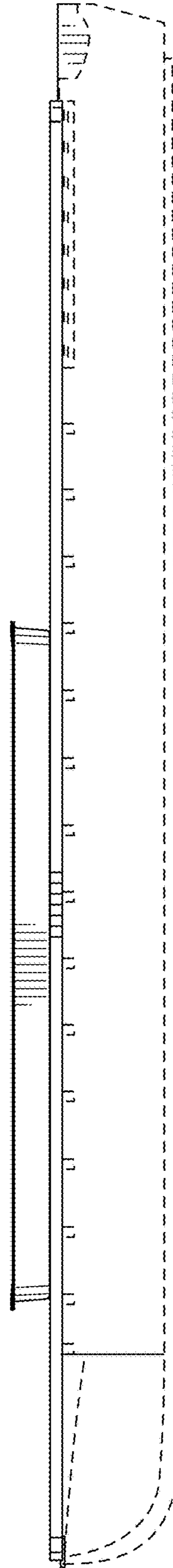
**Fig. 3**



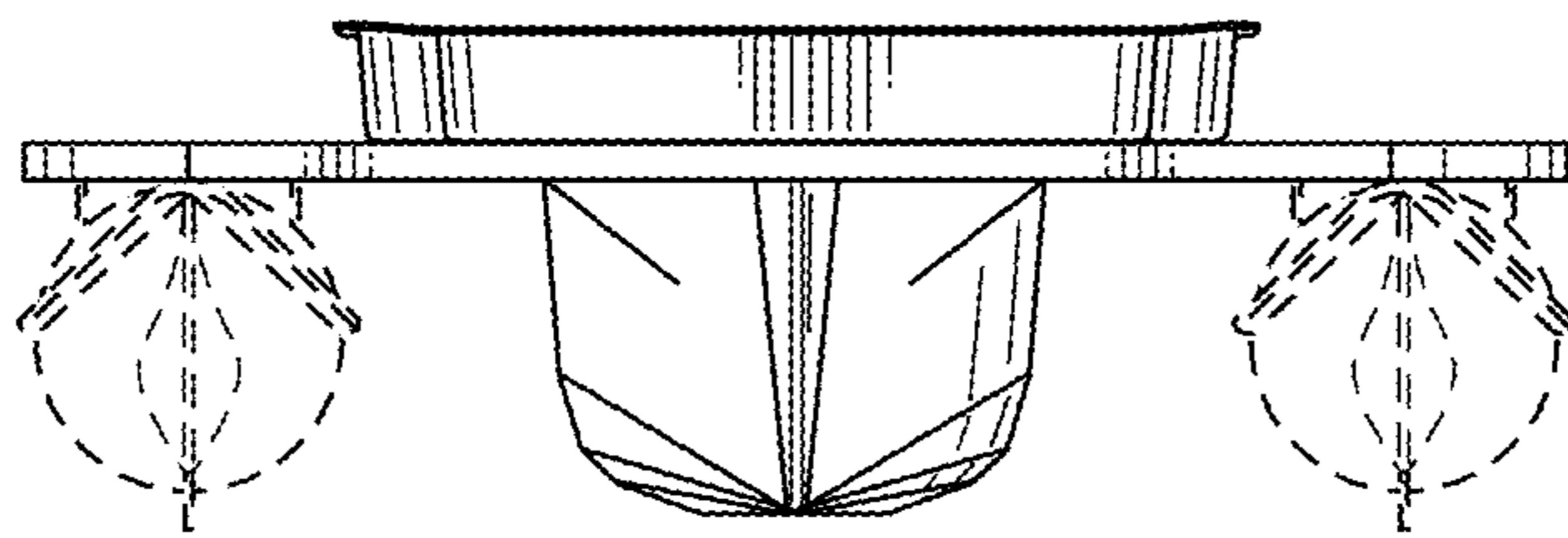
**Fig. 4**



**Fig. 5**



**Fig. 6**



**Fig. 7**

