



US00D784900S

(12) **United States Design Patent**
Itou et al.

(10) **Patent No.:** **US D784,900 S**
(45) **Date of Patent:** **** Apr. 25, 2017**

(54) **CABLE RETAINING DEVICE FOR VEHICLE ANTENNA**

D578,521 S * 10/2008 Sergi D14/238
7,619,573 B2 * 11/2009 Jung H01Q 1/2266
343/702

(71) Applicants: **DAIWA KASEI KOGYO KABUSHIKI KAISHA**, Okazaki-shi, Aichi-ken (JP); **TOYOTA JIDOSHA KABUSHIKI KAISHA**, Toyota-shi, Aichi-ken (JP)

8,242,968 B2 * 8/2012 Conrad H01Q 1/42
343/713

D675,087 S * 1/2013 Gary D8/395
D696,241 S * 12/2013 Paugh D14/253

D726,175 S * 4/2015 Tsai D12/415
2006/0262025 A1 * 11/2006 Sergi H01Q 1/12
343/793

(72) Inventors: **Norihito Itou**, Okazaki (JP); **Kenji Ohashi**, Okazaki (JP); **Koumei Kobayashi**, Okazaki (JP); **Yuki Tomida**, Toyokawa (JP)

* cited by examiner

Primary Examiner — Sandra Snapp

Assistant Examiner — Ieisha Price

(73) Assignees: **DAIWA KASEI KOGYO KABUSHIKI KAISHA**, Okazaki-shi, Aichi-ken (JP); **TOYOTA JIDOSHA KABUSHIKI KAISHA**, Toyota-shi, Aichi-ken (JP)

(74) *Attorney, Agent, or Firm* — Ladas & Parry LLP

(**) Term: **15 Years**

(21) Appl. No.: **29/534,770**

(22) Filed: **Jul. 31, 2015**

(30) **Foreign Application Priority Data**

Feb. 2, 2015 (JP) 2015-01930

(51) **LOC (10) Cl.** **12-06**

(52) **U.S. Cl.**
USPC **D12/223**

(58) **Field of Classification Search**
USPC D12/400, 415, 223; D8/347, 354, 355,
D8/356, 373, 394, 395, 398, 499
CPC H01Q 1/12; H01Q 1/42; H01Q 1/3291;
H01Q 1/325; H01Q 1/088
See application file for complete search history.

(56) **References Cited**

U.S. PATENT DOCUMENTS

D515,409 S * 2/2006 Sorrentino D8/395
D538,630 S * 3/2007 Sergi D8/354

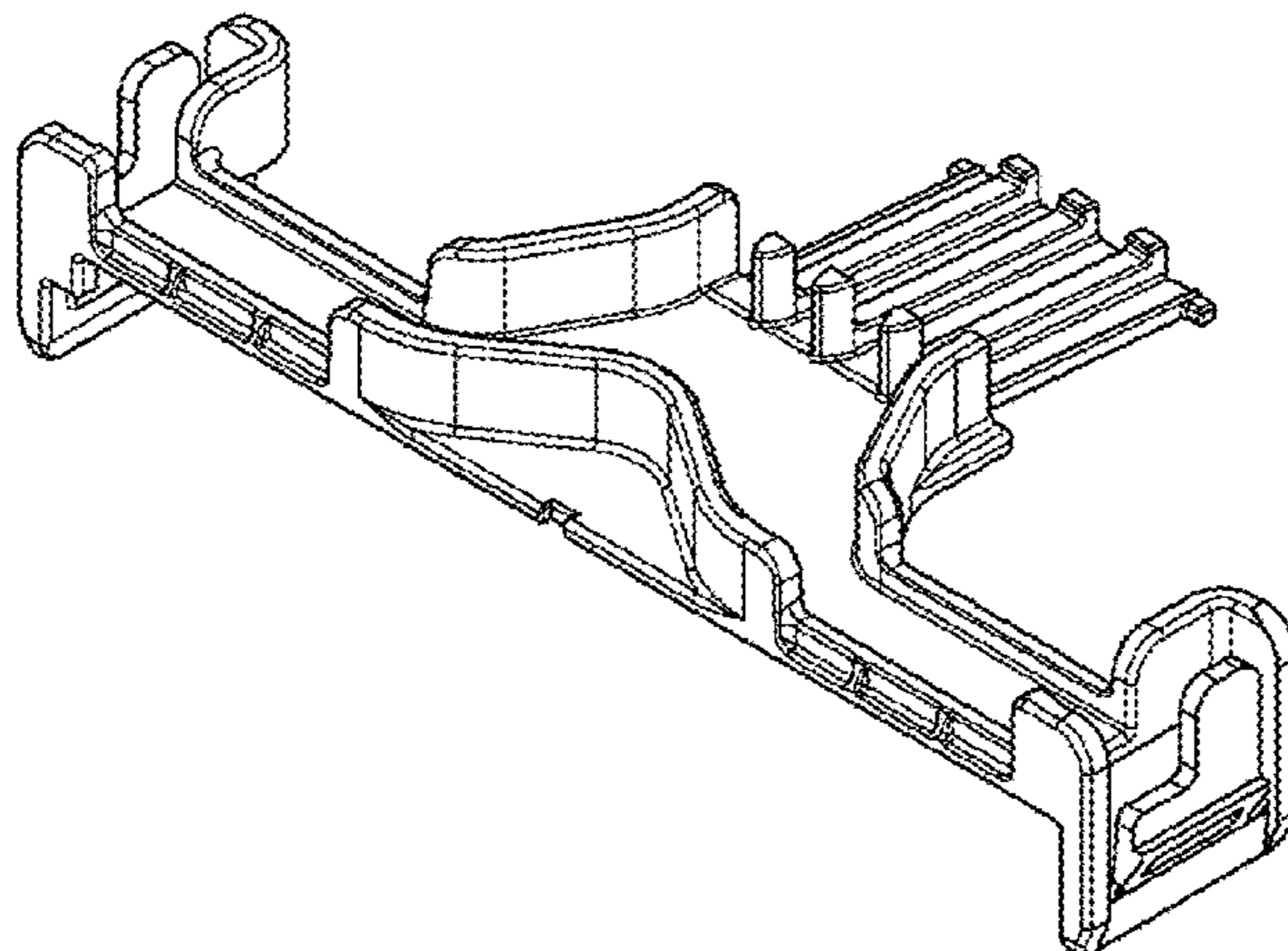
(57) **CLAIM**

The ornamental design for a cable retaining device for vehicle antenna, as shown and described.

DESCRIPTION

FIG. 1 is a perspective view of a cable retaining device for vehicle antenna showing our new design; FIG. 2 is a perspective view thereof; FIG. 3 is a perspective view thereof; FIG. 4 is a front elevation view thereof; FIG. 5 is a rear elevation view thereof; FIG. 6 is a right side elevation view thereof; FIG. 7 is a left side elevation view thereof; FIG. 8 is a top plan view thereof; FIG. 9 is a bottom plan view thereof; FIG. 10 is an environmental perspective view of FIG. 1; FIG. 11 is an environmental perspective view of FIG. 3; and, FIG. 12 is an environmental perspective view. The broken lines shown in the drawings illustrate portions of the cable retaining device for vehicle antenna and form no part of the claimed design.

1 Claim, 6 Drawing Sheets



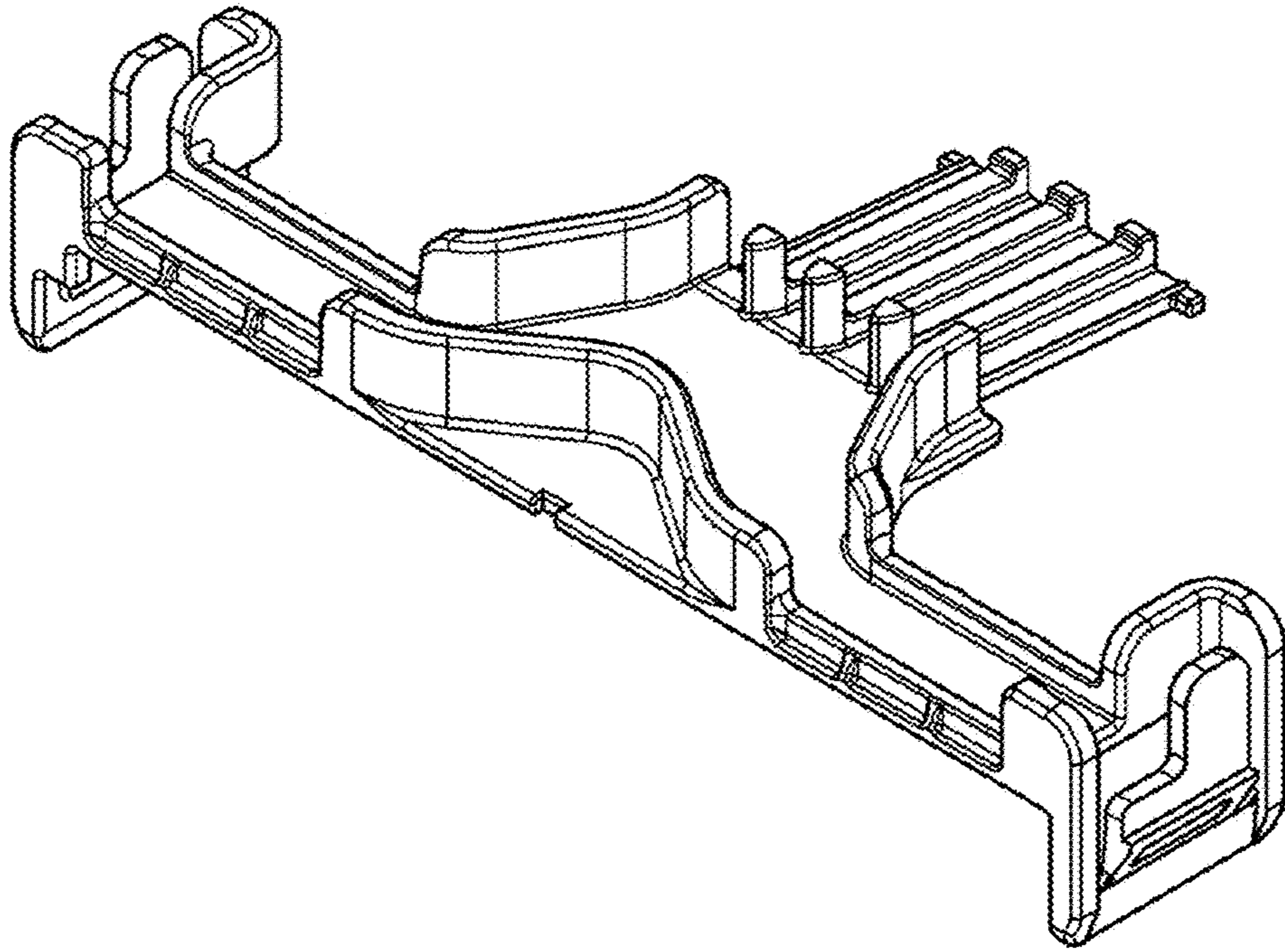


FIG. 1

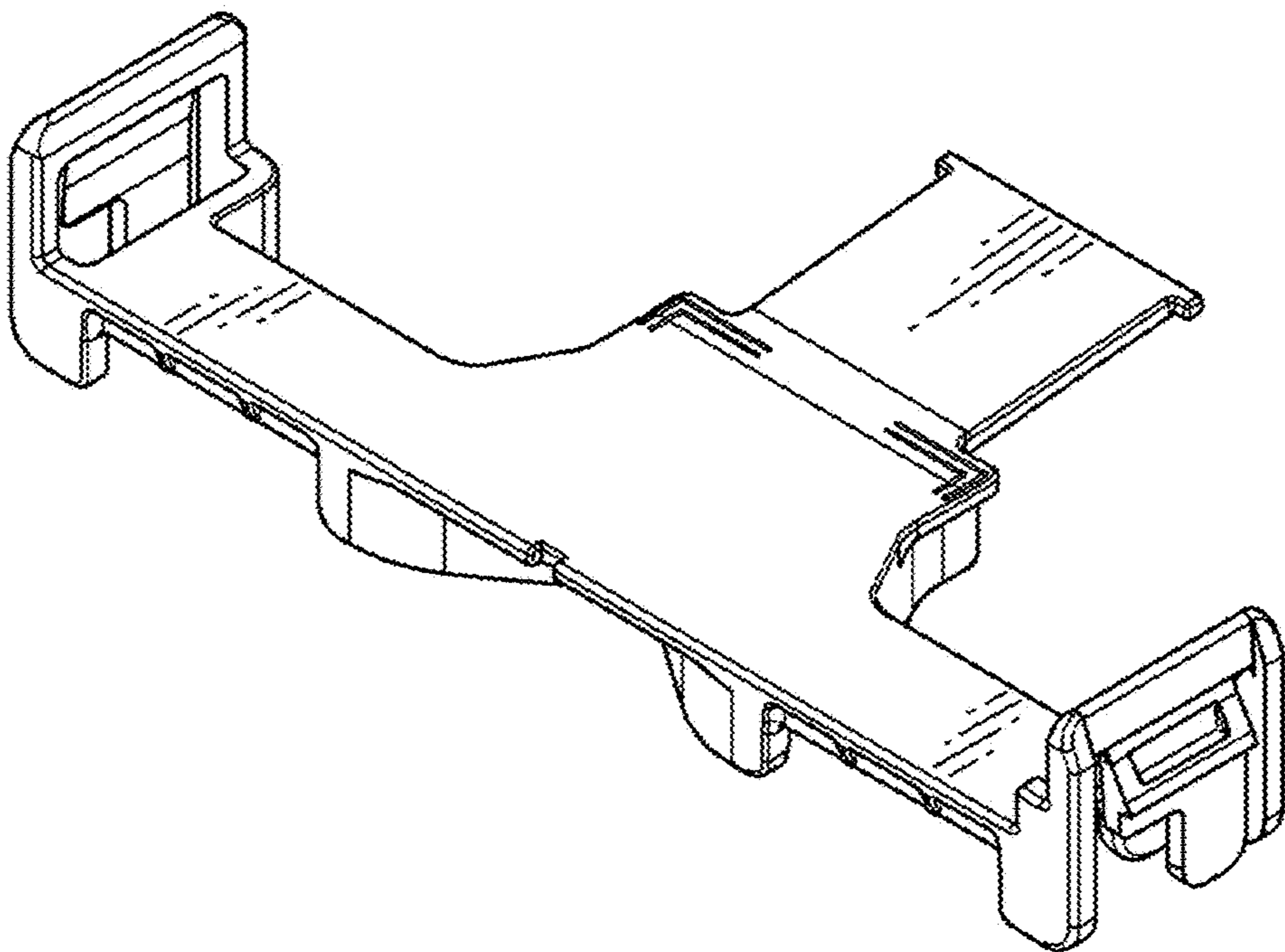


FIG. 2

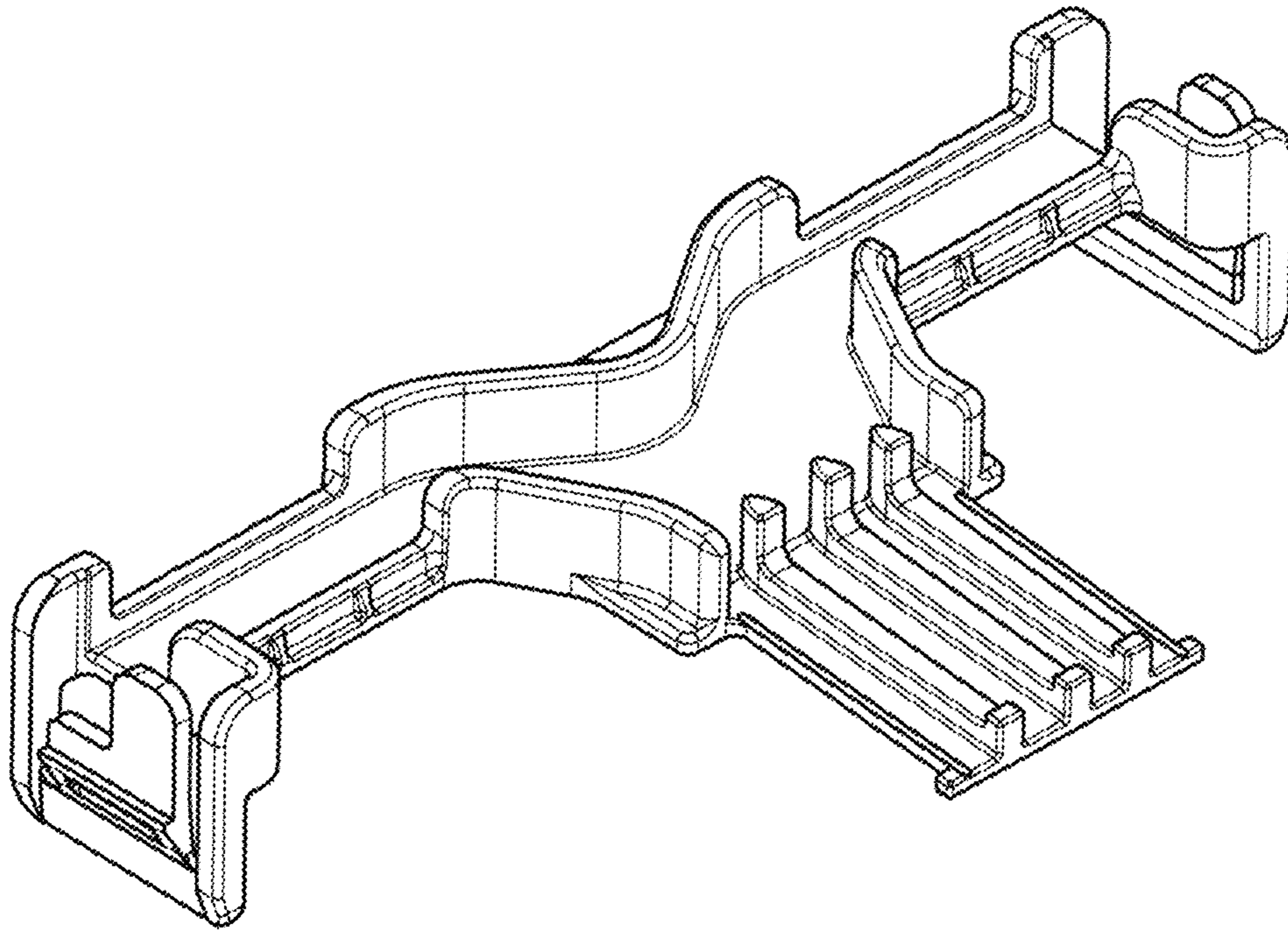


FIG. 3

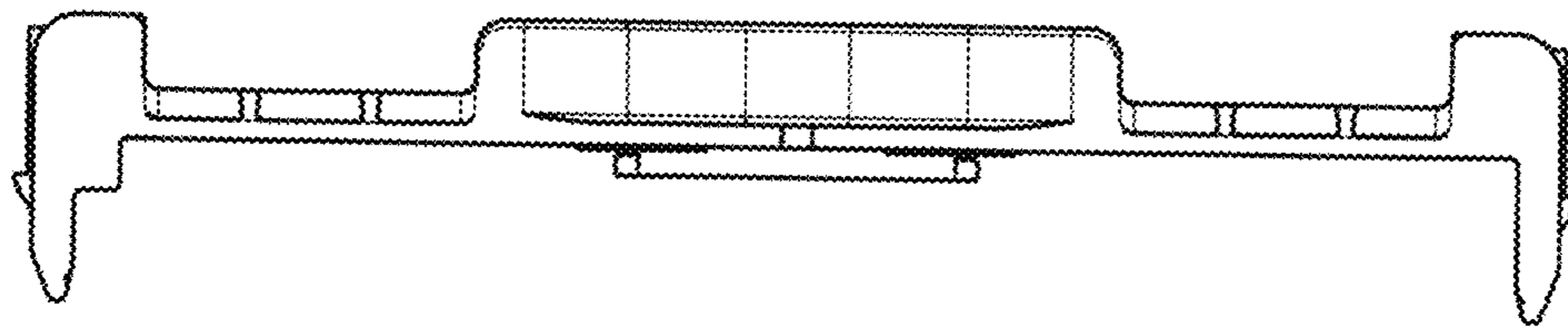


FIG. 4

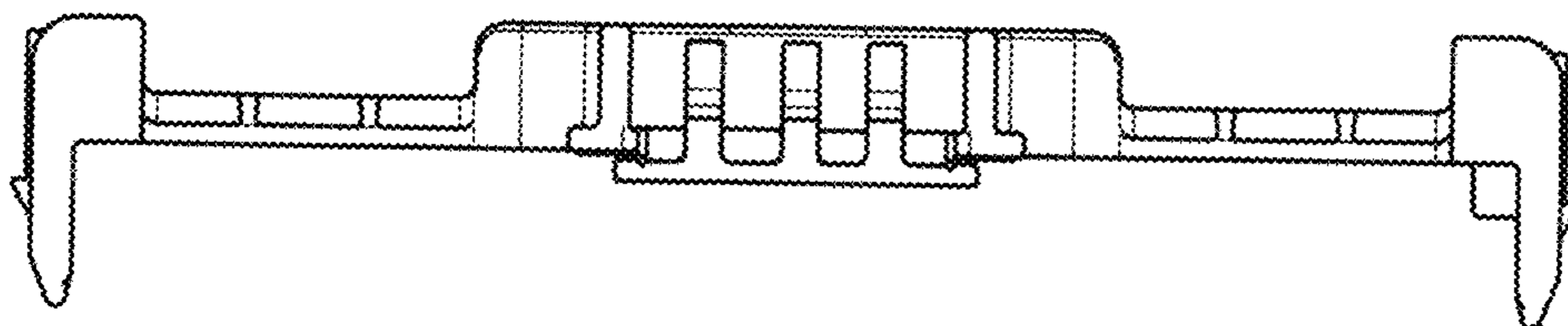


FIG. 5

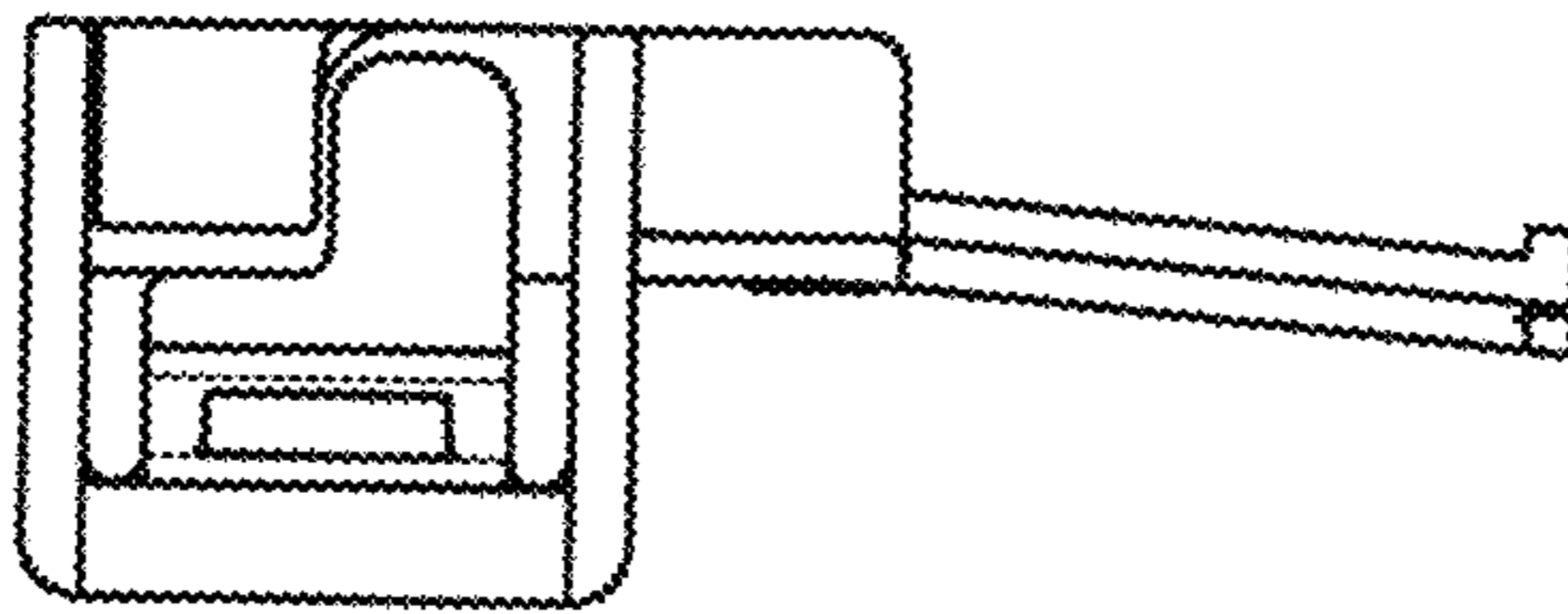


FIG. 6

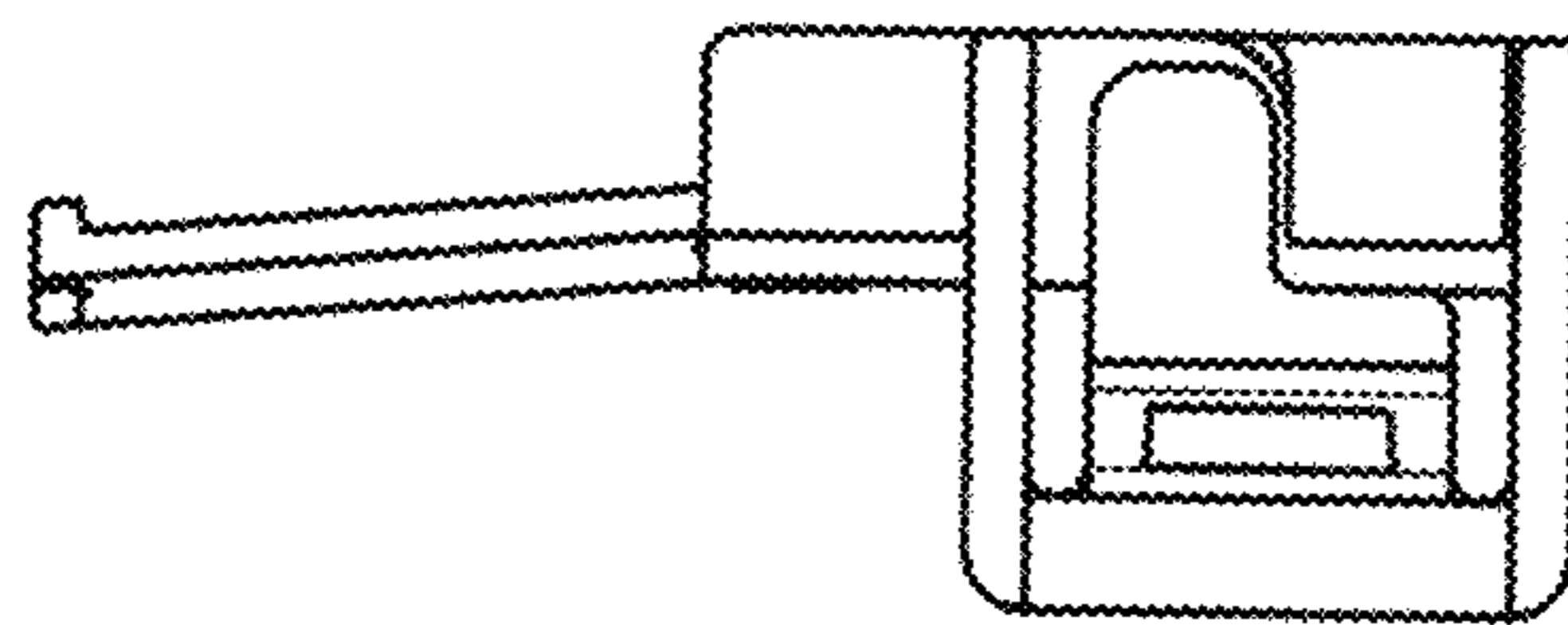


FIG. 7

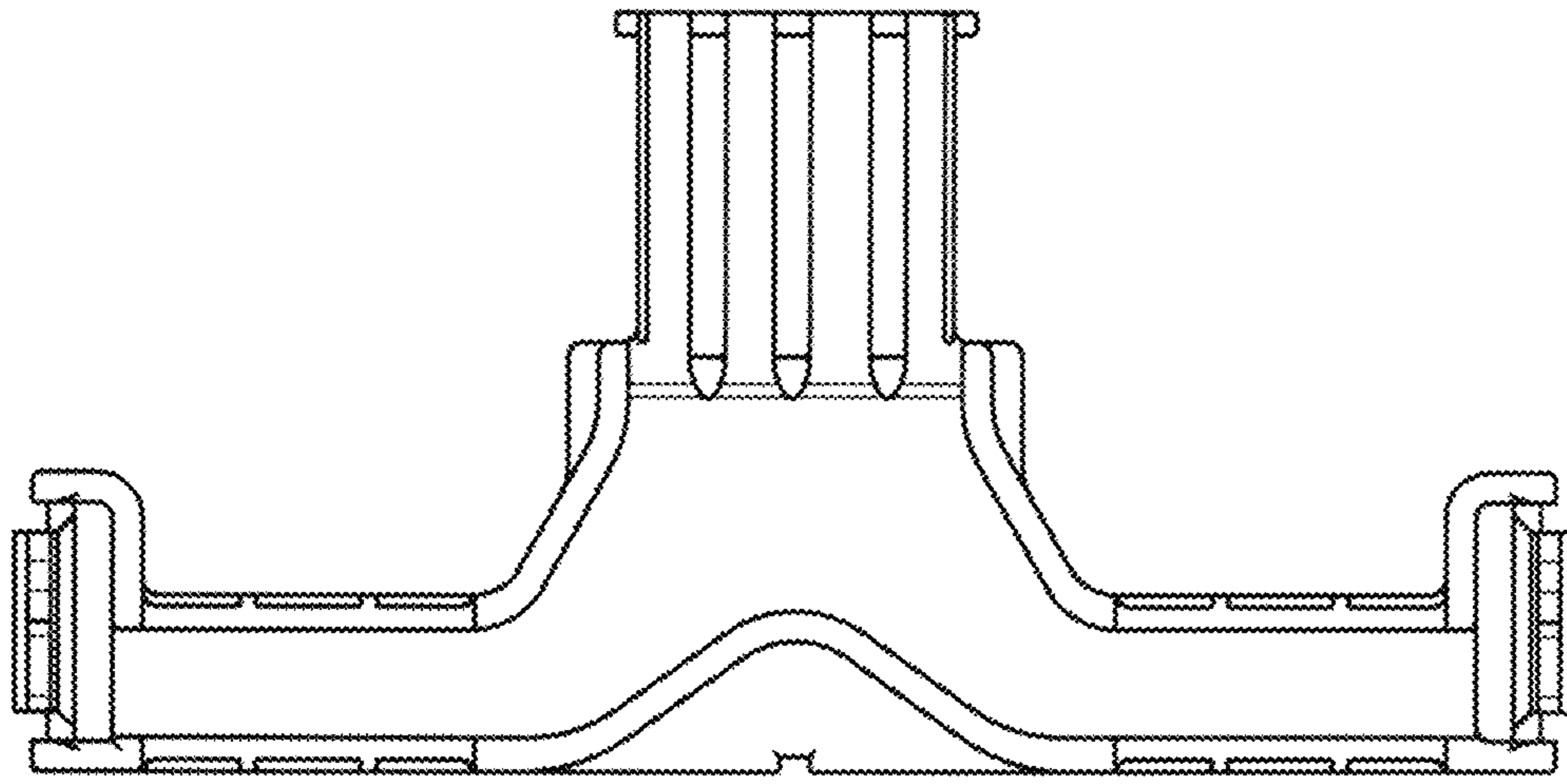


FIG. 8

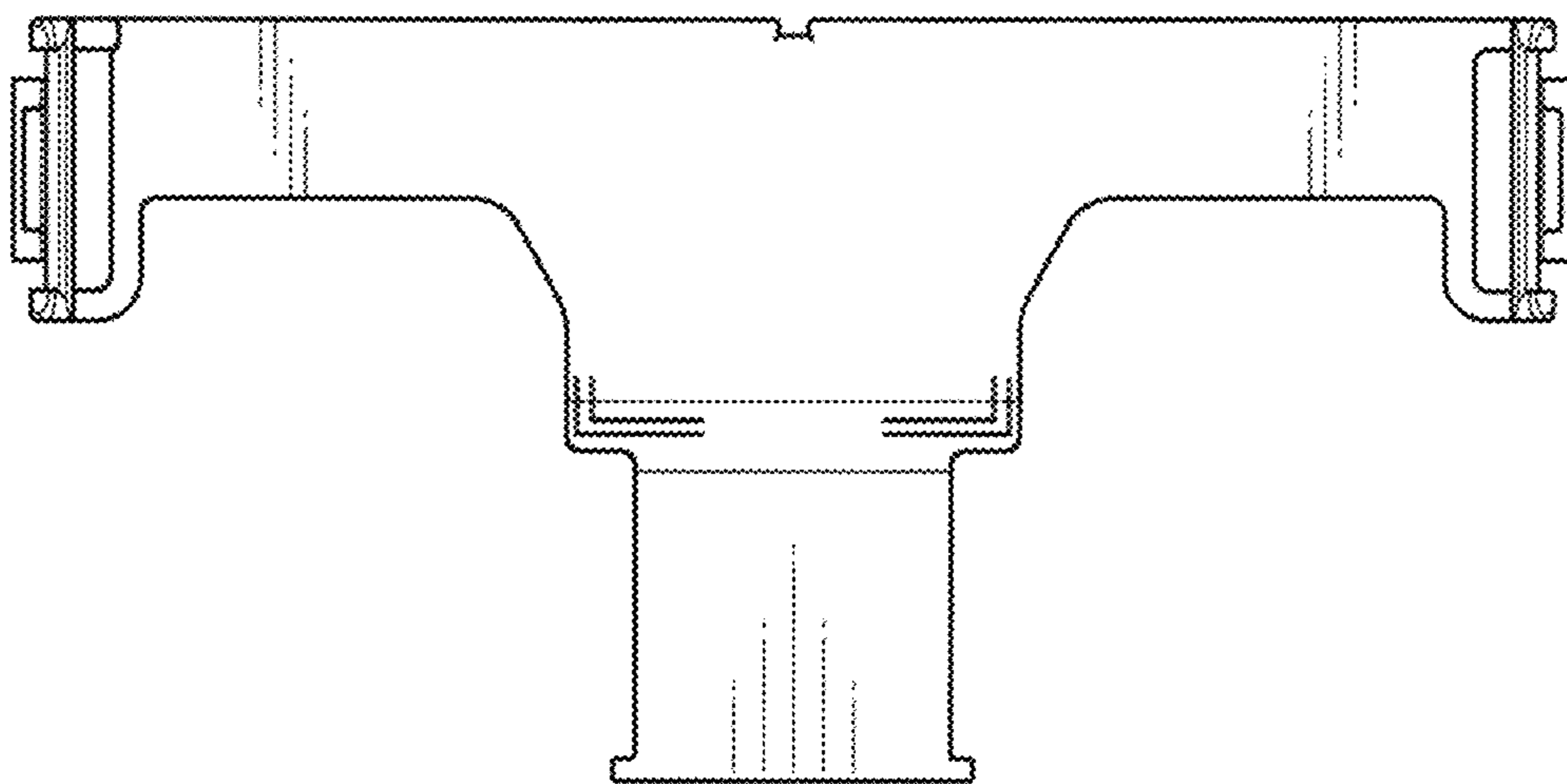


FIG. 9

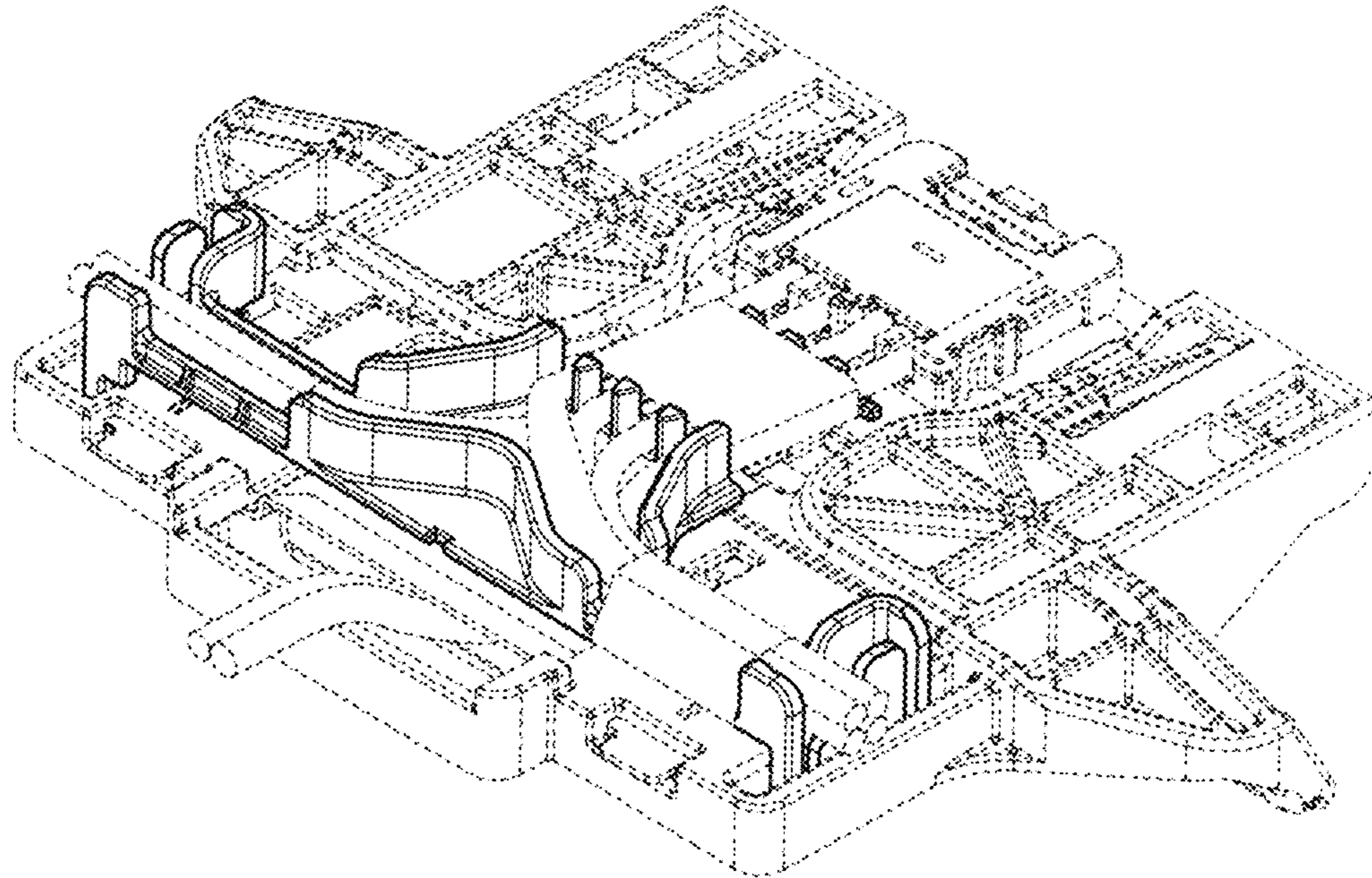


FIG. 10

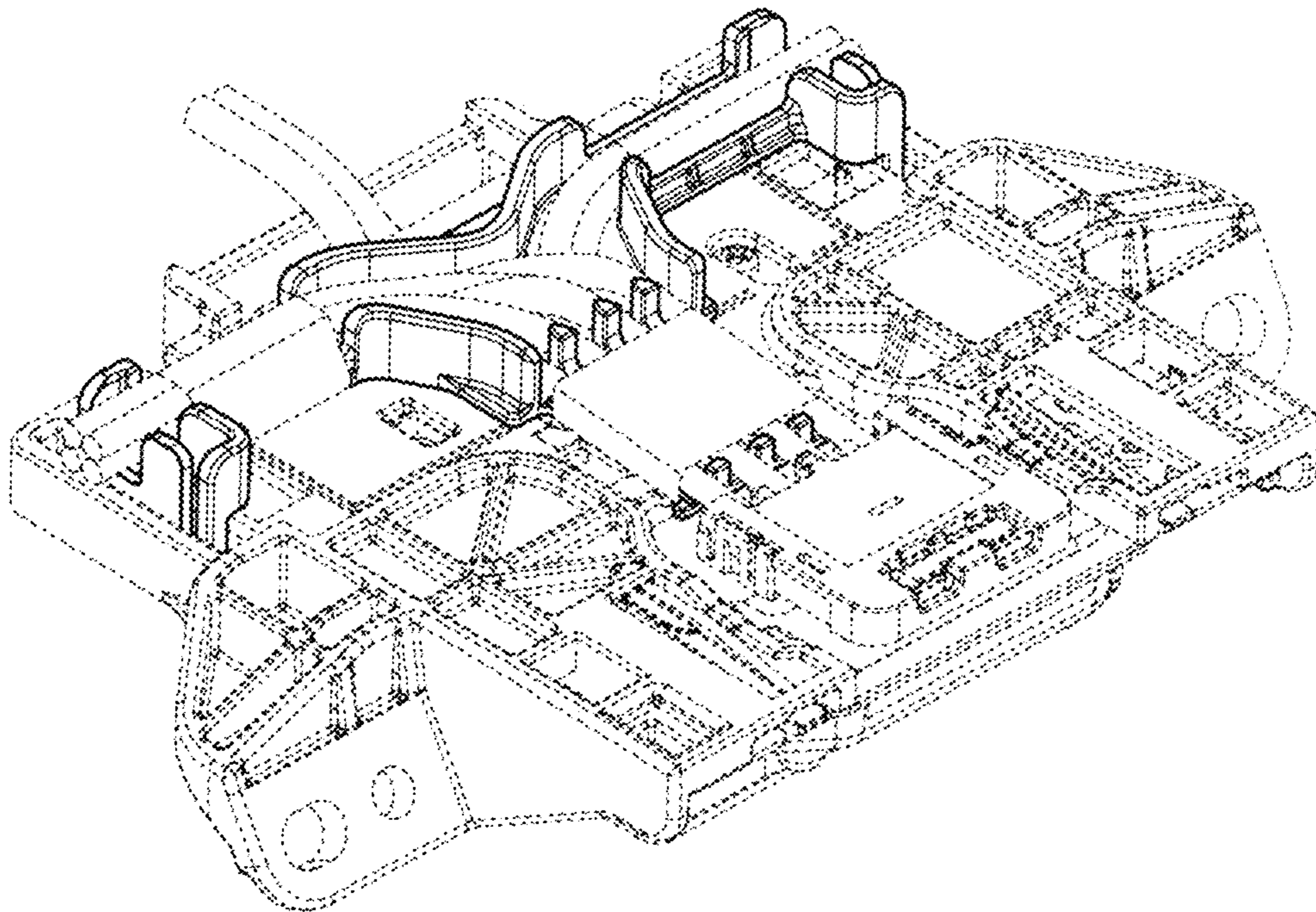


FIG. 11

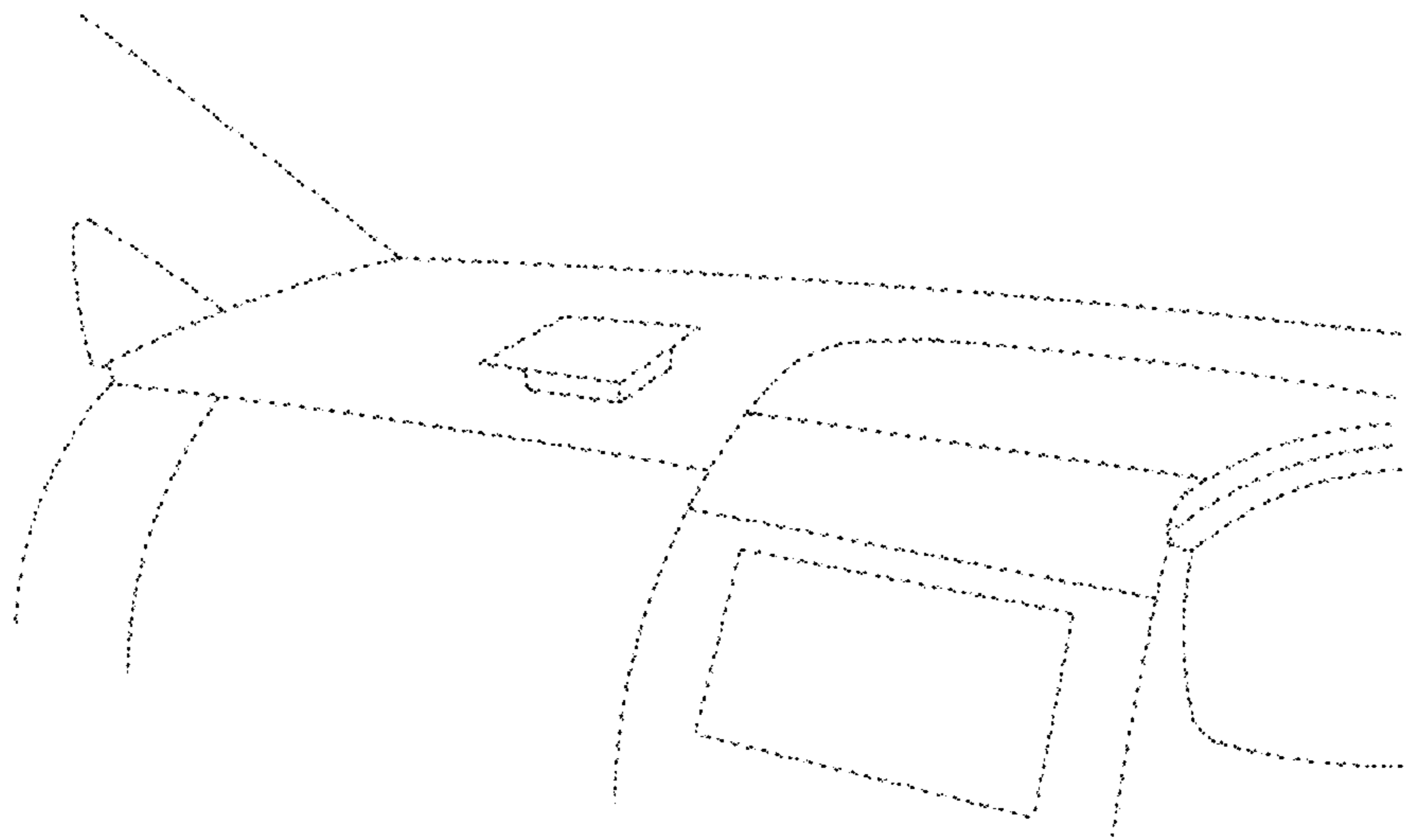


FIG. 12