



US00D784899S

(12) **United States Design Patent** (10) **Patent No.:** **US D784,899 S**
McConnell et al. (45) **Date of Patent:** **** Apr. 25, 2017**

(54) **ROLL-OVER PROTECTIVE STRUCTURE**

(71) Applicant: **Exmark Manufacturing Company, Incorporated**, Beatrice, NE (US)

(72) Inventors: **Kenneth L. McConnell**, Lincoln, NE (US); **Joseph J. Oliver**, Lincoln, NE (US)

(73) Assignee: **Exmark Manufacturing Company, Incorporated**, Beatrice, NE (US)

(**) Term: **15 Years**

(21) Appl. No.: **29/550,512**

(22) Filed: **Jan. 5, 2016**

(51) **LOC (10) Cl.** **12-06**

(52) **U.S. Cl.**
USPC **D12/222**

(58) **Field of Classification Search**
USPC D12/222, 223, 400, 401, 404, 406, 412, D12/414, 86, 93, 101; D6/552
CPC B60R 27/00; B60J 1/06
See application file for complete search history.

(56) **References Cited**

U.S. PATENT DOCUMENTS

2,423,748 A	7/1947	Acheson
2,444,387 A	6/1948	Vesta
2,729,462 A	1/1956	Maybrier
2,785,002 A	3/1957	Schumaker
2,943,885 A	7/1960	Fritzmeier
3,188,111 A	6/1965	Ells et al.
3,259,211 A	7/1966	Ryskamp

(Continued)

FOREIGN PATENT DOCUMENTS

CA	2 347 964	4/2002
EP	1 197 399	4/2002

OTHER PUBLICATIONS

Altoz "XE and XR Zero-Turn Mowers," Product Brochure. Altoz, Inc. Dec. 7, 2015; 6 pages.

(Continued)

Primary Examiner — Katrina A Betton

(74) *Attorney, Agent, or Firm* — Muetting, Raasch & Gebhardt, P.A.

(57) **CLAIM**

The ornamental design for a roll-over protective structure, as shown and described.

DESCRIPTION

FIG. 1 is a right rear perspective view of a roll-over protective structure in accordance with the claimed design and shown attached to a riding lawn mower;

FIG. 2 is a left front perspective view of the design of FIG. 1;

FIG. 3 is a front elevation view of the design of FIG. 1;

FIG. 4 is a right side elevation view of the design of FIG. 1;

FIG. 5 is a left side elevation view of the design of FIG. 1;

FIG. 6 is a rear elevation view of the design of FIG. 1;

FIG. 7 is a top plan view of the design of FIG. 1; and,

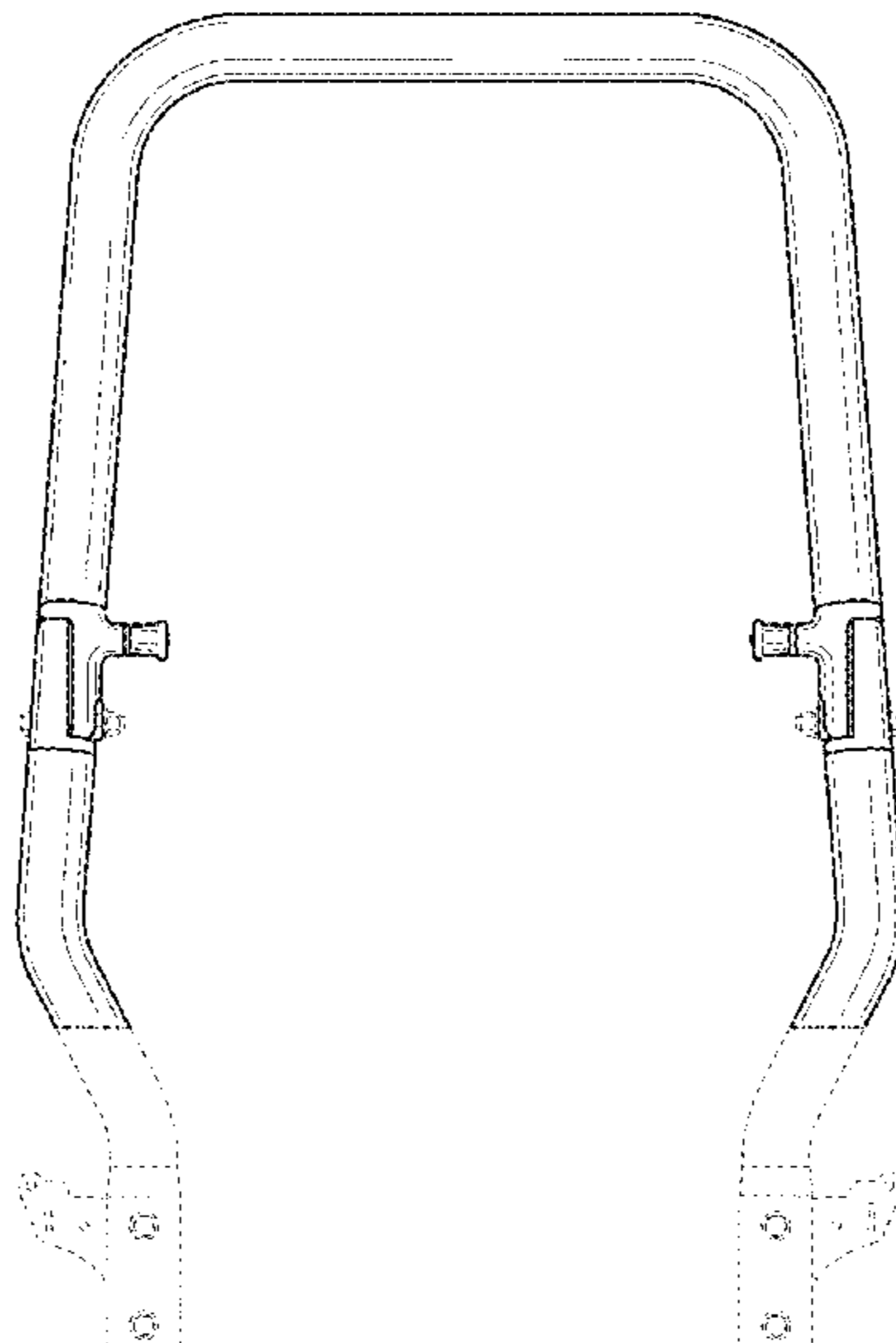
FIG. 8 is a bottom plan view of the design of FIG. 1.

The dot-dash broken lines in the figures immediately adjacent the solid lines represent a boundary between claimed and unclaimed subject matter and form no part of the claimed design.

The dash-dash broken lines in the figures (including the riding lawn mower in FIG. 1, the portions beneath the dot-dash broken lines, various fasteners, and other aspects) represent environment in which the claimed design may be embodied, and which form no part of the claimed design.

The labels used herein to described orientation (e.g., front, rear, left, right) are merely for reference and are not intended to limit the interpretation of the design.

1 Claim, 6 Drawing Sheets



(56)

References Cited

U.S. PATENT DOCUMENTS

3,289,871	A	12/1966	La Tourneau et al.	
3,336,074	A	8/1967	Barnes et al.	
3,472,550	A	10/1969	Marco	
3,502,368	A	3/1970	Maxa	
3,563,401	A	2/1971	Gandolfo	
3,584,897	A	6/1971	Frantz	
3,713,688	A	1/1973	Monroe	
3,762,761	A	10/1973	Erickson	
3,917,310	A	11/1975	Mitsubishi	
4,158,460	A	6/1979	White	
4,666,183	A	5/1987	Azzarello	
4,949,991	A	8/1990	Ludwig	
5,503,430	A	4/1996	Miki et al.	
6,557,922	B1	5/2003	Hommel	
D513,223	S *	12/2005	Saito	D12/14
7,338,113	B2	3/2008	Hiraoka	
7,568,732	B2	8/2009	Schlup, Jr.	
8,087,694	B2	1/2012	Johnson et al.	
D654,844	S *	2/2012	Pinto	D12/222
D655,668	S *	3/2012	Levorato	D12/222
D758,281	S *	6/2016	Galloway	D12/222
D761,713	S *	7/2016	Hensley	D12/222
D766,157	S *	9/2016	Reynolds	D12/222
2004/0065767	A1	4/2004	Parker	
2008/0238065	A1 *	10/2008	Hart	B60R 21/13 280/756

OTHER PUBLICATIONS

Altoz "XC and XP Zero-Turn Mowers," Product Brochure. Altoz, Inc. Dec. 7, 2015; 8 pages.

Gumtree "Roll Bar to fit Toro Ground Master Ride on Mowers." Listing on classifieds website [online]. Listed Feb. 24, 2015 [retrieved on Jun. 13, 2016]. Retrieved from the Internet: <URL: www.gumtree.com.au/s-ad/george-town/miscellaneous-goods/roll-bar-to-fit-toro-ground-master-ride-on-mowers-like-new/1070735203>. 4 pages.

"John Deere, Operator's Manual OMTCU13565, Issue L0, Front Mower 1420, 1435, 1445," "Assembly" section [online]. [retrieved on Jul. 12, 2016]. Retrieved from the Internet: <URL: manuals.deere.com/cceomview/OMTCU13565_L0/Output/TCU13565_L016.html#323214>. 4 pages.

Murphy et al., "Rollover Protection for Farm Tractor Operators," Penn State College of Agricultural Sciences Cooperative Extension [online]. [retrieved on Jul. 12, 2016]. Retrieved from the Internet : <URL: nasdonline.org/static_content/documents/113/d001656.pdf>. Jul. 2003. 4 pages.

Myers, "Continuous overturn control of compactors/rollers by roll-over protective structures." Int J Veh Saf, 2008; 3(1):45-59. 16 pages.

Toro "Groundsmaster 3280-D," Product Brochure. The Toro Company. Copyright 2013; 6 pages.

Toro "Workman HD Series," Product Brochure. The Toro Company. Copyright 2015; 8 pages.

Toro "Z Master Commercial 2000 Series Riding Mower with 48in, 52in, or 60in Turbo Force Side Discharge Mower," Operator's Manual. The Toro Company, Copyright 2015; 64 pages.

* cited by examiner

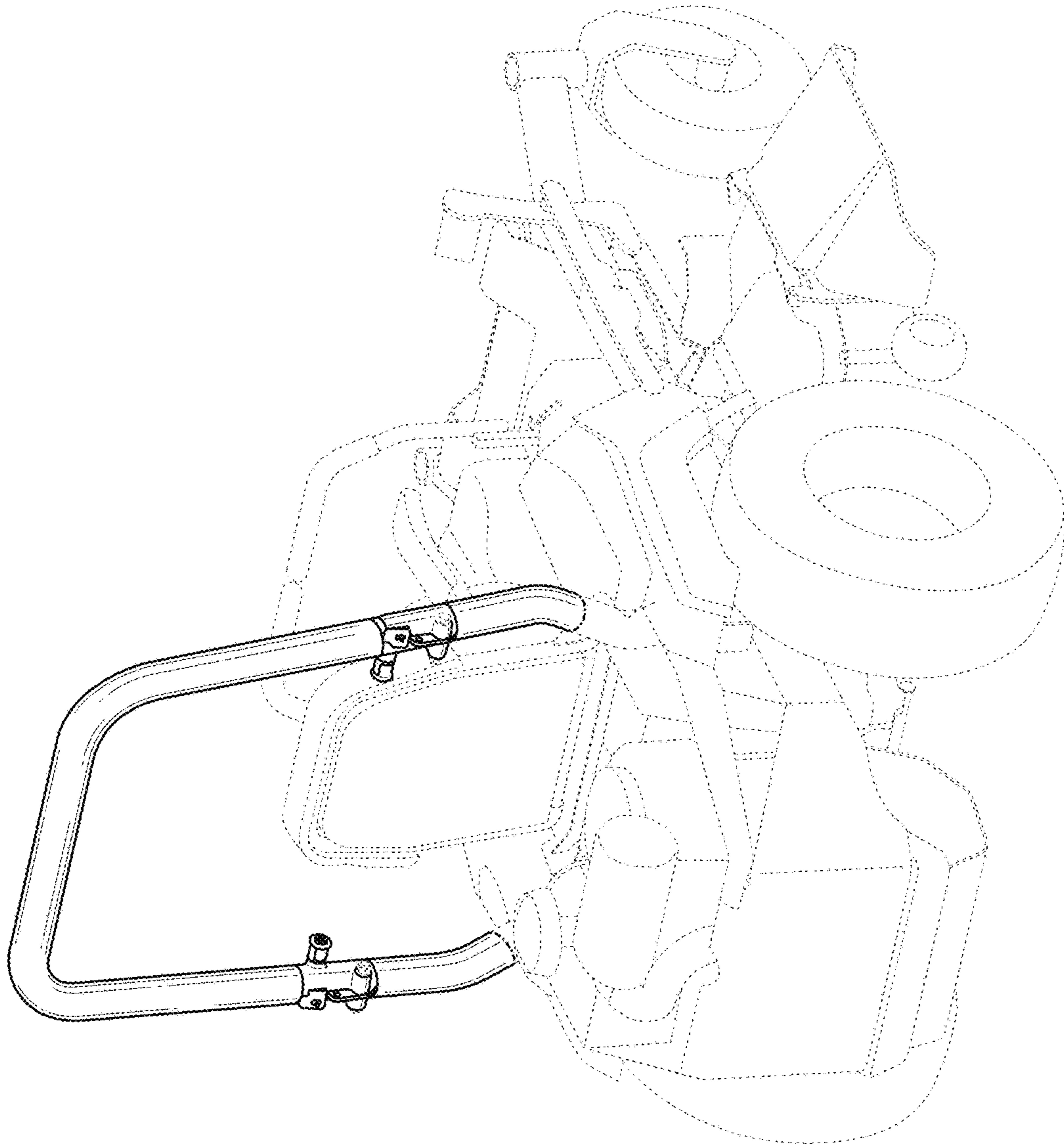


Fig. 1

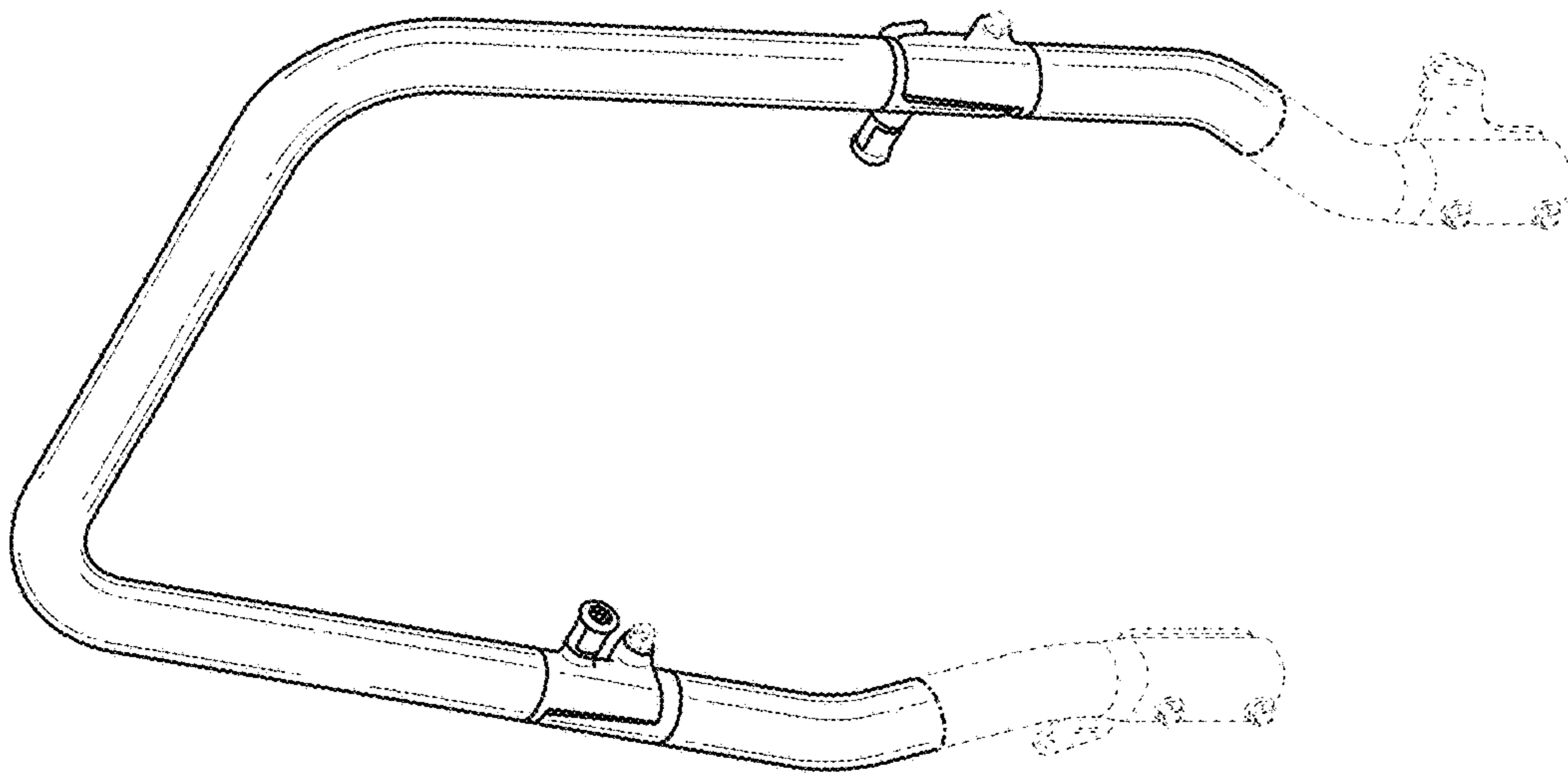


Fig. 2

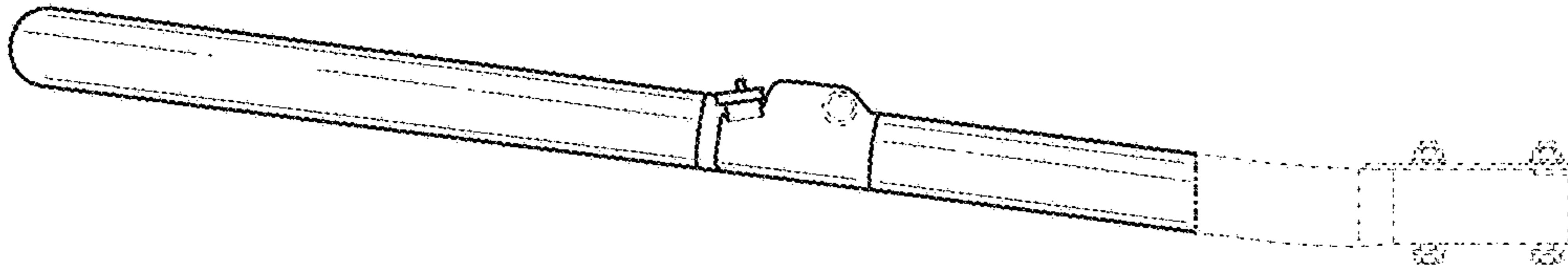


Fig. 5

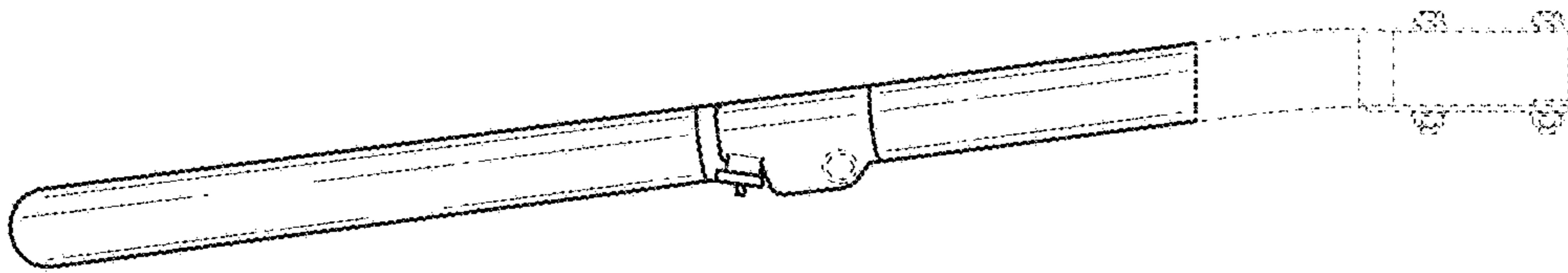


Fig. 4

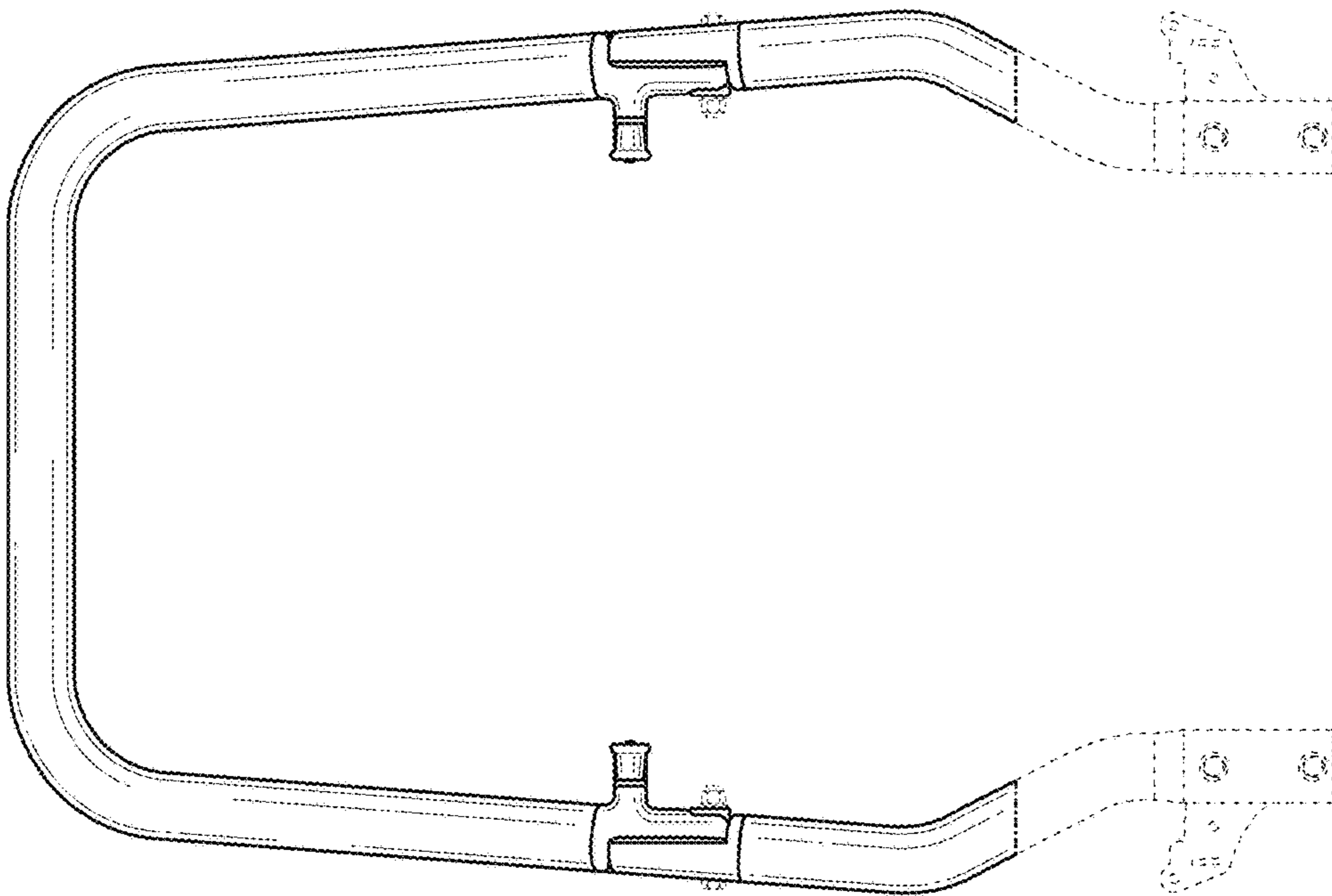


Fig. 3

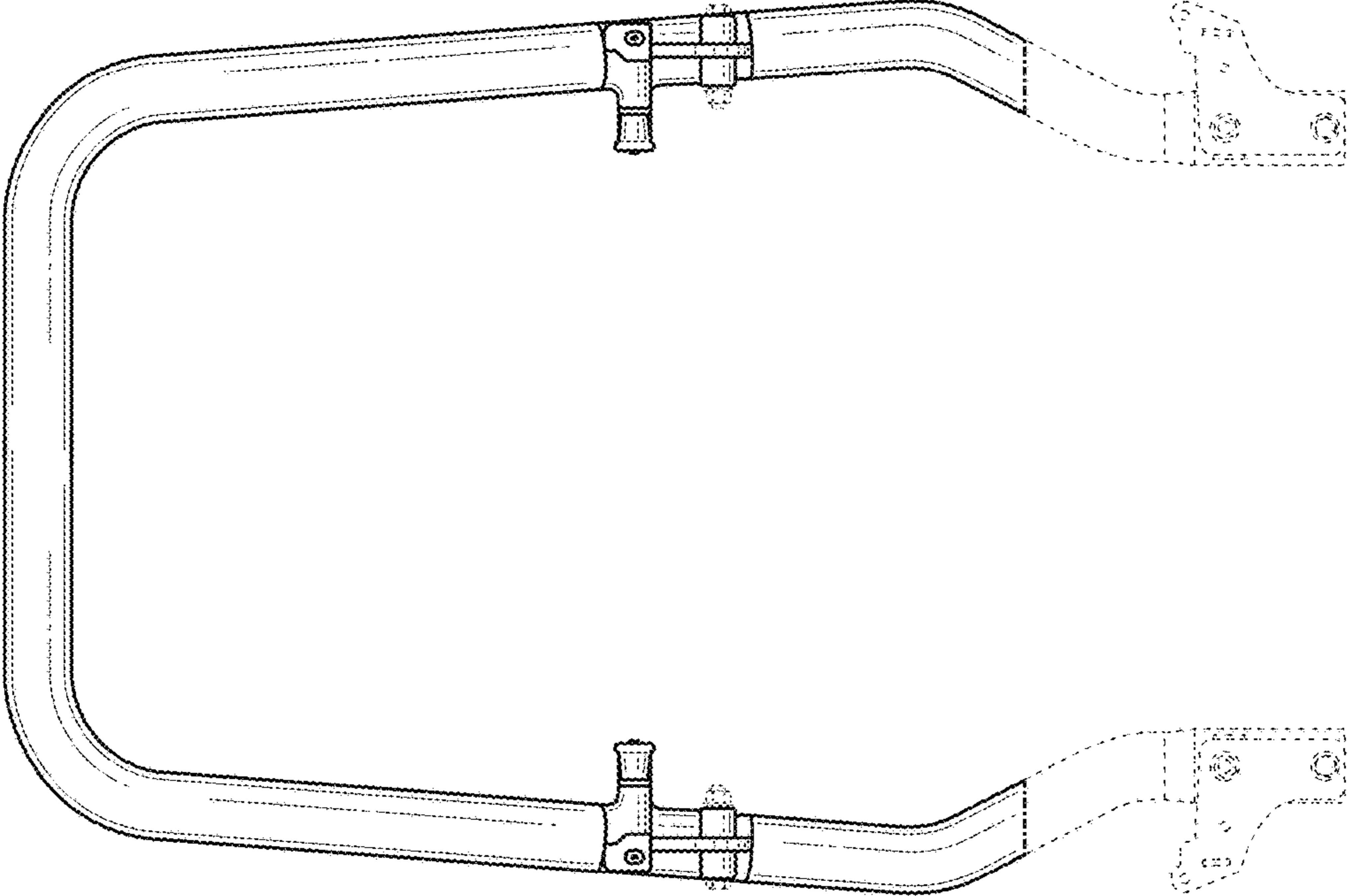


Fig. 6

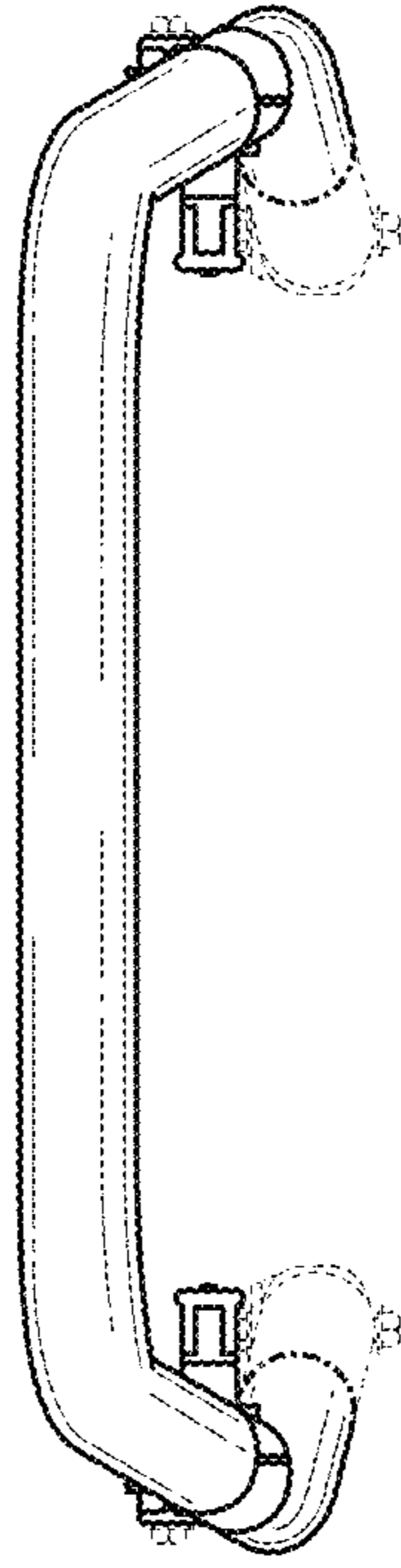


Fig. 7

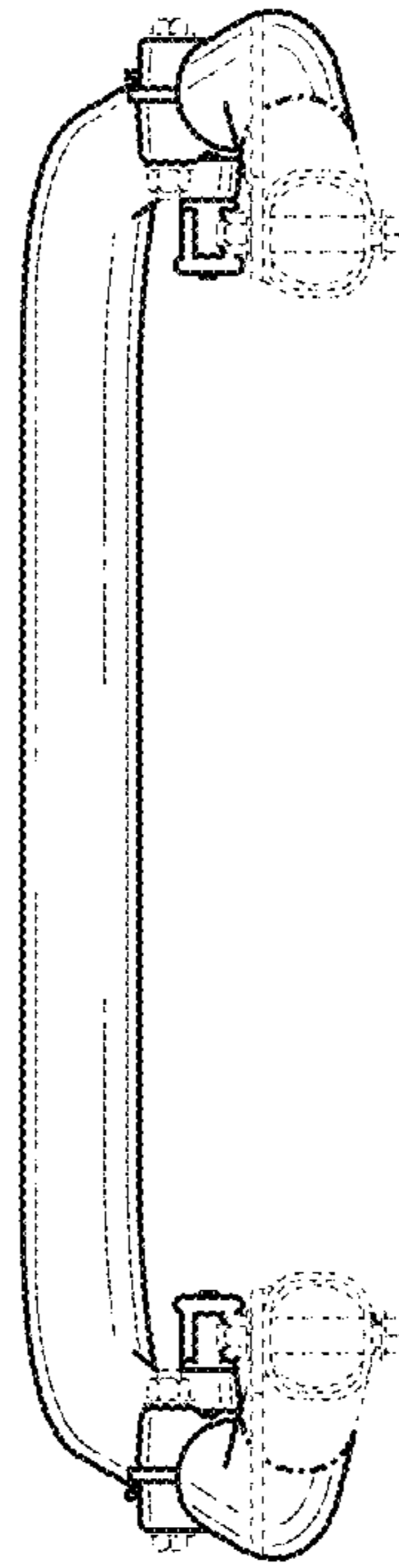


Fig. 8