



US00D784898S

(12) **United States Design Patent**
Setter et al.

(10) **Patent No.:** **US D784,898 S**

(45) **Date of Patent:** **** Apr. 25, 2017**

(54) **WHEEL**

(71) Applicant: **Jaguar Land Rover Limited**, Whitley, Coventry (GB)

(72) Inventors: **Adam Setter**, Coventry (GB); **Michael O'Neill**, Coventry (GB)

(73) Assignee: **Jaguar Land Rover Limited**, Whitley, Coventry (GB)

(**) Term: **15 Years**

(21) Appl. No.: **29/566,716**

(22) Filed: **Jun. 2, 2016**

Related U.S. Application Data

(62) Division of application No. 29/532,695, filed on Jul. 9, 2015, now Pat. No. Des. 759,563.

(30) **Foreign Application Priority Data**

Jan. 9, 2015 (EM) 002611020
Jul. 1, 2015 (EM) 002729772

(51) **LOC (10) Cl.** **12-16**

(52) **U.S. Cl.**
USPC **D12/211**

(58) **Field of Classification Search**
USPC D12/204–213
CPC B60B 7/00; B60B 7/02; B60B 7/04; B60B 7/01; B60B 7/06; B60B 3/02; B60B 3/04; B60B 3/06; B60B 3/10; B60B 1/00; B60B 1/08; B60B 1/10; B60B 1/12
See application file for complete search history.

(56) **References Cited**

U.S. PATENT DOCUMENTS

D457,478 S * 5/2002 Minamisawa D12/211
D587,177 S * 2/2009 Scheu D12/209

D594,397 S * 6/2009 Laengerer D12/211
D594,801 S * 6/2009 Imai D12/211
D626,053 S * 10/2010 Groom D12/211
D644,977 S * 9/2011 Juergens D12/211
D660,768 S * 5/2012 De Bono D12/211
D670,632 S * 11/2012 Schweizer D12/211
D671,059 S * 11/2012 Pollmann D12/209
D673,104 S * 12/2012 Lemke D12/211
D682,764 S * 5/2013 Amezketa D12/211
D682,768 S * 5/2013 Hale D12/211
D744,402 S * 12/2015 Watkin D12/211
D753,574 S * 4/2016 Mielke D12/211
D761,182 S * 7/2016 Valencia Pollex D12/211
D762,155 S * 7/2016 Juergens D12/211
D767,466 S * 9/2016 Juergens D12/211
D769,169 S * 10/2016 Kumeya D12/211
D772,134 S * 11/2016 Vidojkovic D12/211

* cited by examiner

Primary Examiner — Stacia Cadmus

(74) *Attorney, Agent, or Firm* — Wood Herron & Evans LLP

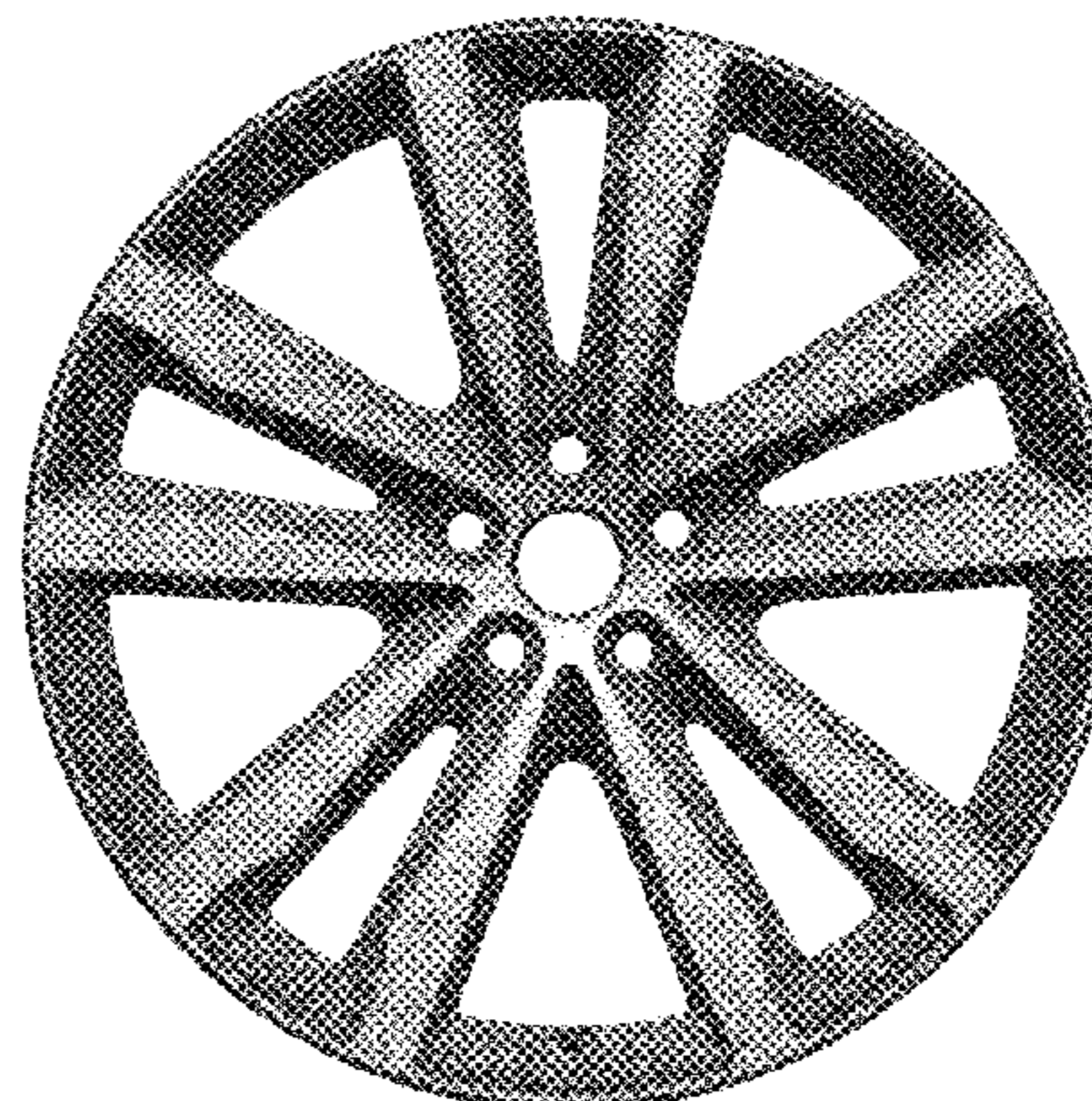
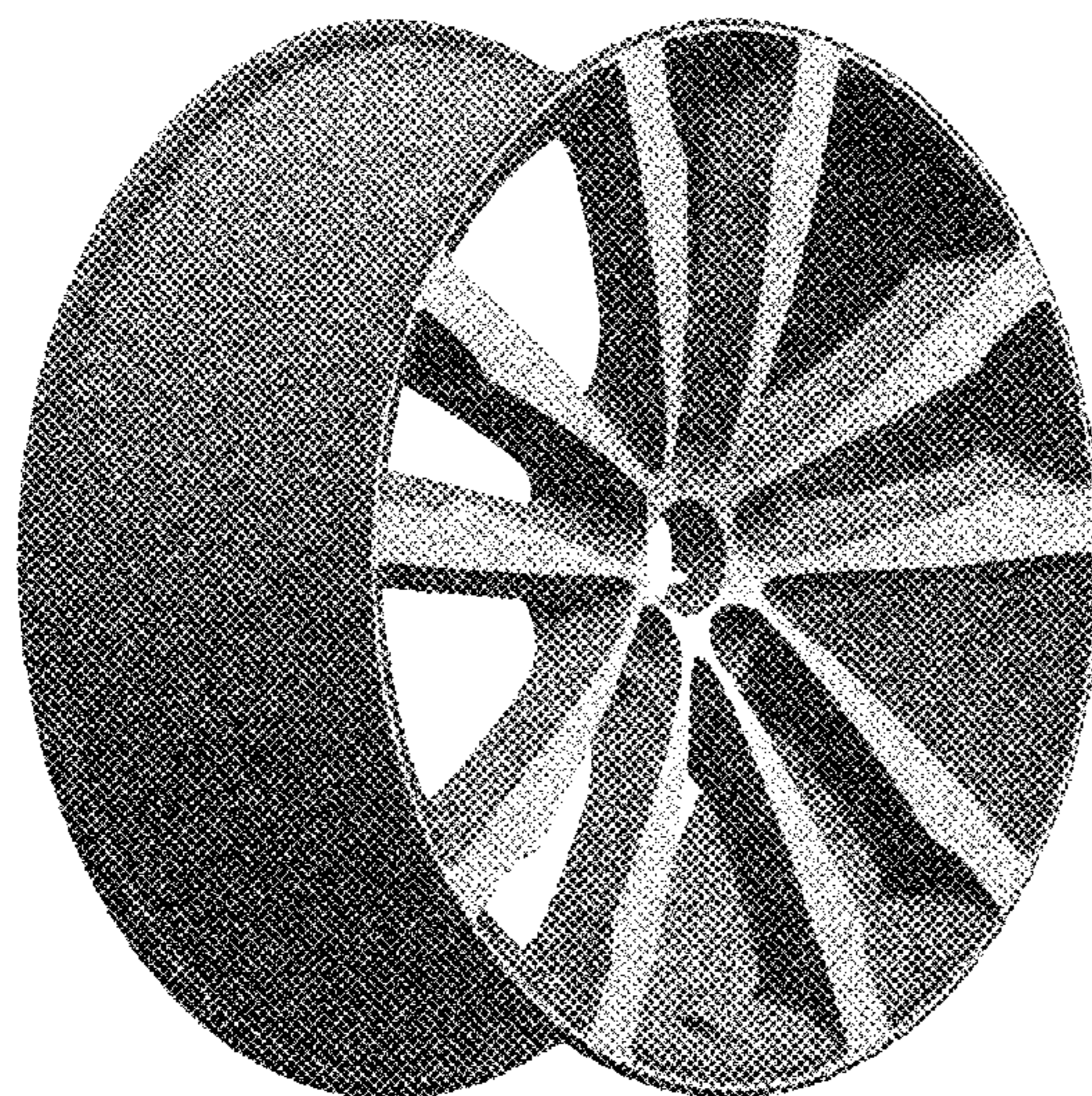
(57) **CLAIM**

The ornamental design for a wheel, as shown and described.

DESCRIPTION

FIG. 1 is a front perspective view of a wheel according to the present invention.
FIG. 2 is a front view thereof.
FIG. 3 is a left side view thereof.
FIG. 4 is a rear view thereof.
FIG. 5 is a rear perspective view thereof.
FIG. 6 is a front perspective view of a wheel according to a second embodiment of the present invention.
FIG. 7 is a front view thereof.
FIG. 8 is a left side view thereof.
FIG. 9 is a rear view thereof; and,
FIG. 10 is a rear perspective view thereof.

1 Claim, 6 Drawing Sheets



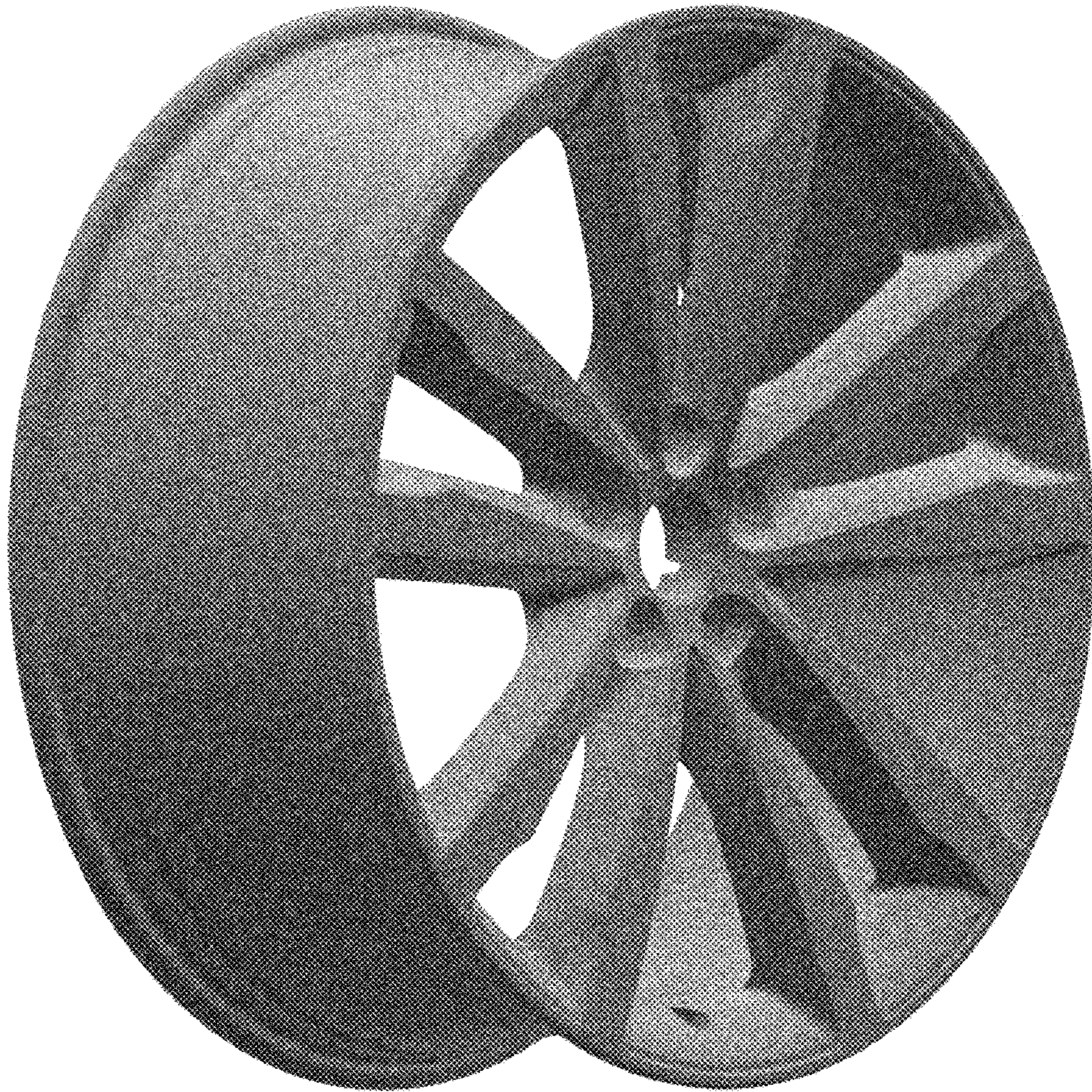


FIG. 1

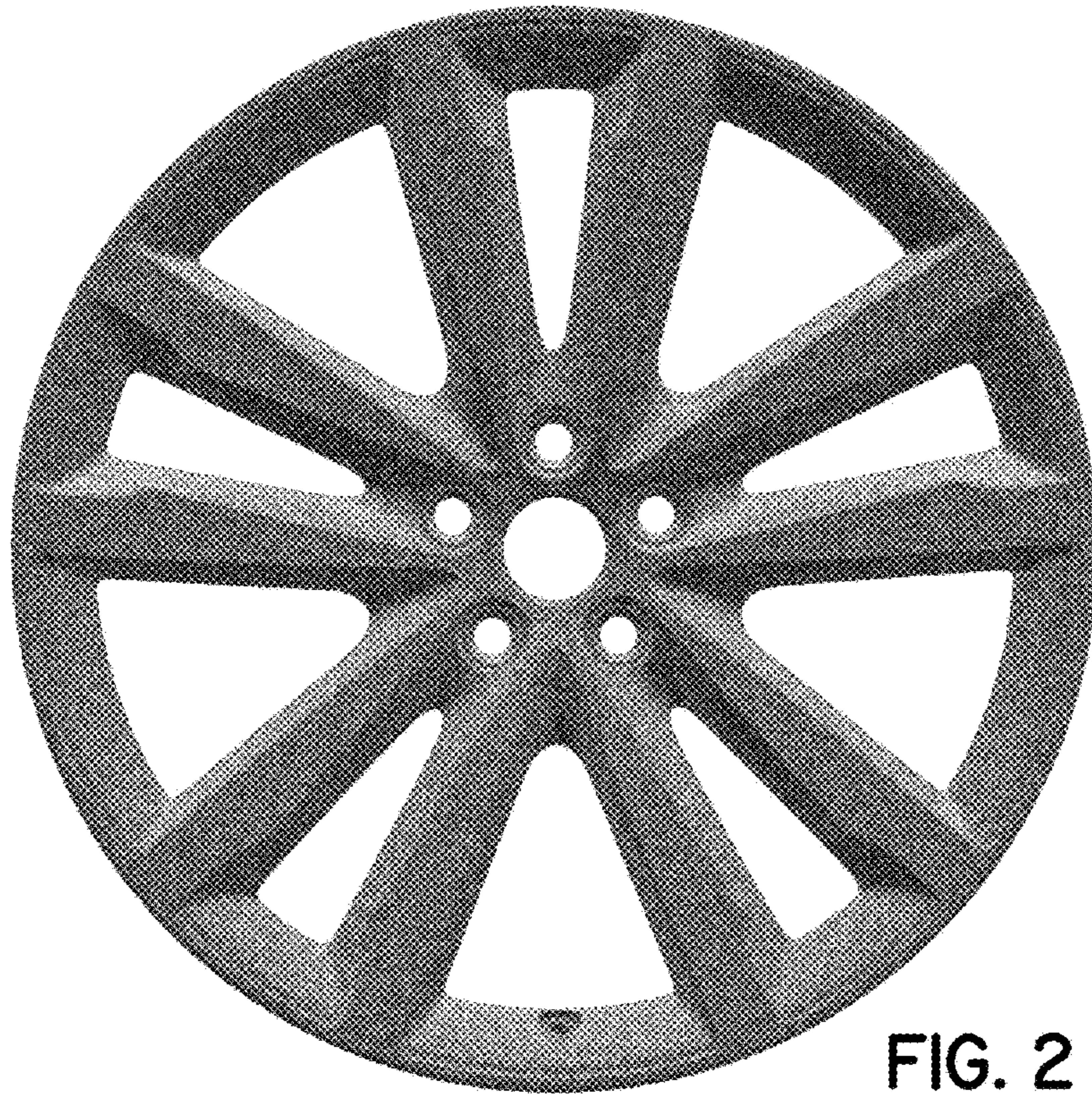


FIG. 2

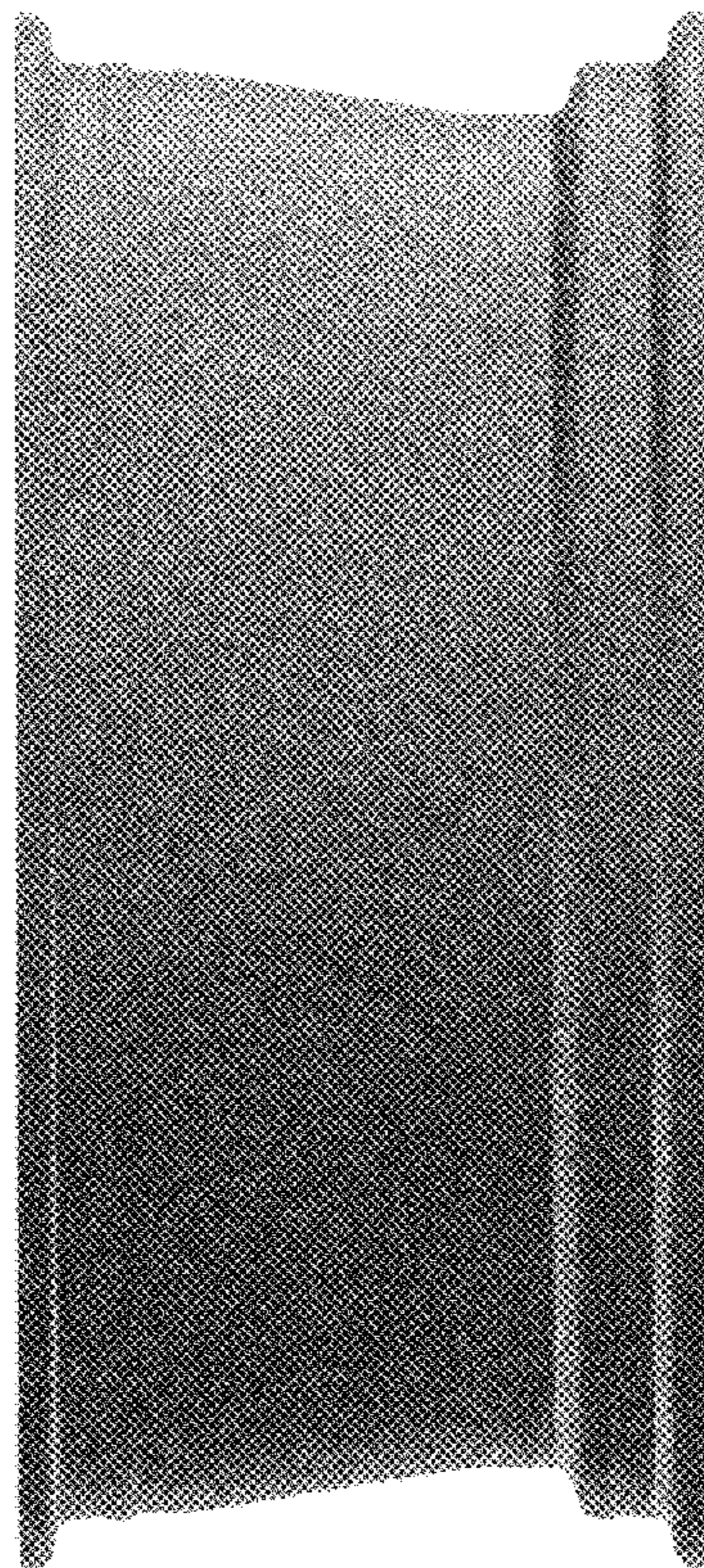


FIG. 3

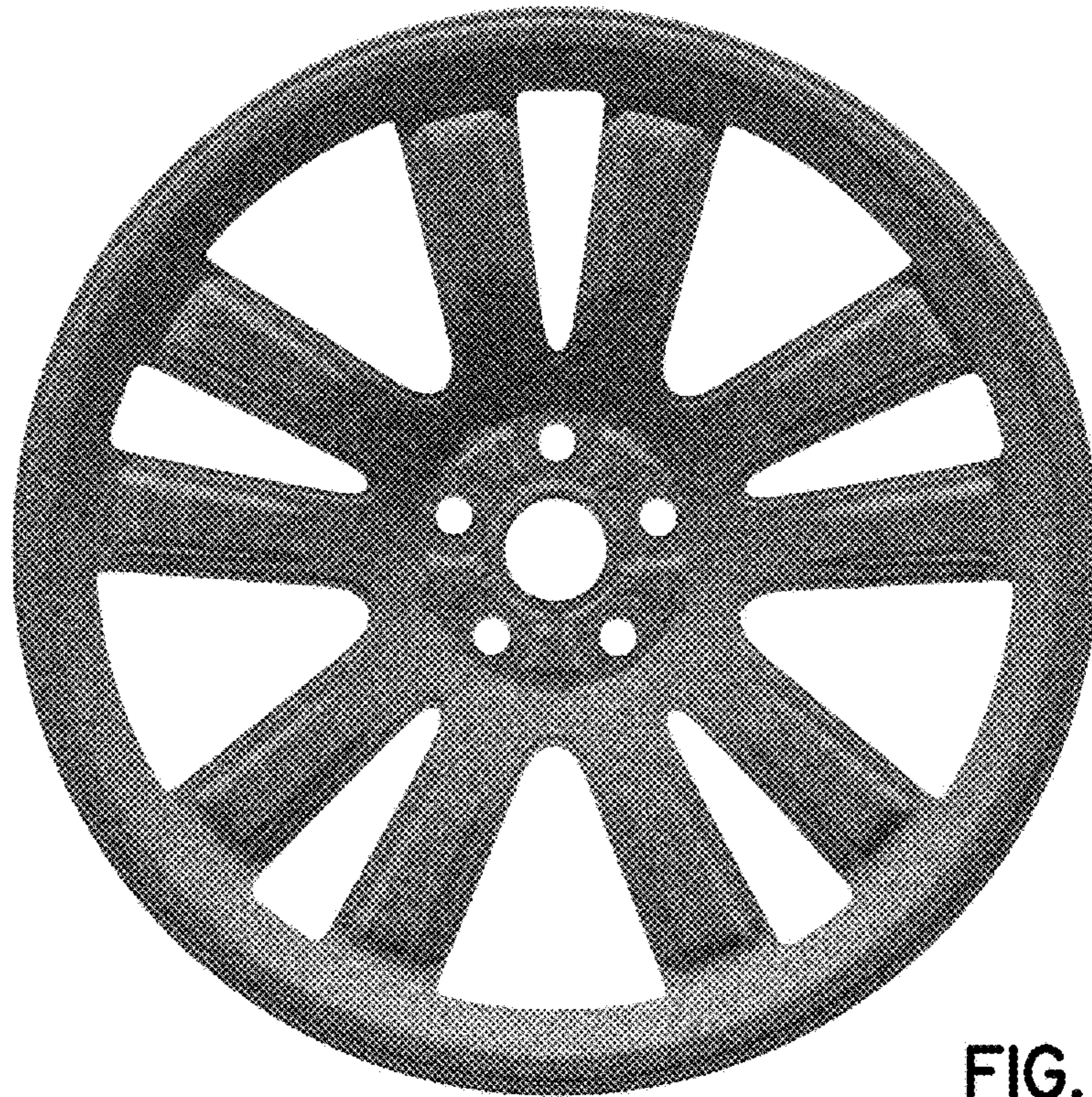


FIG. 4



FIG. 5

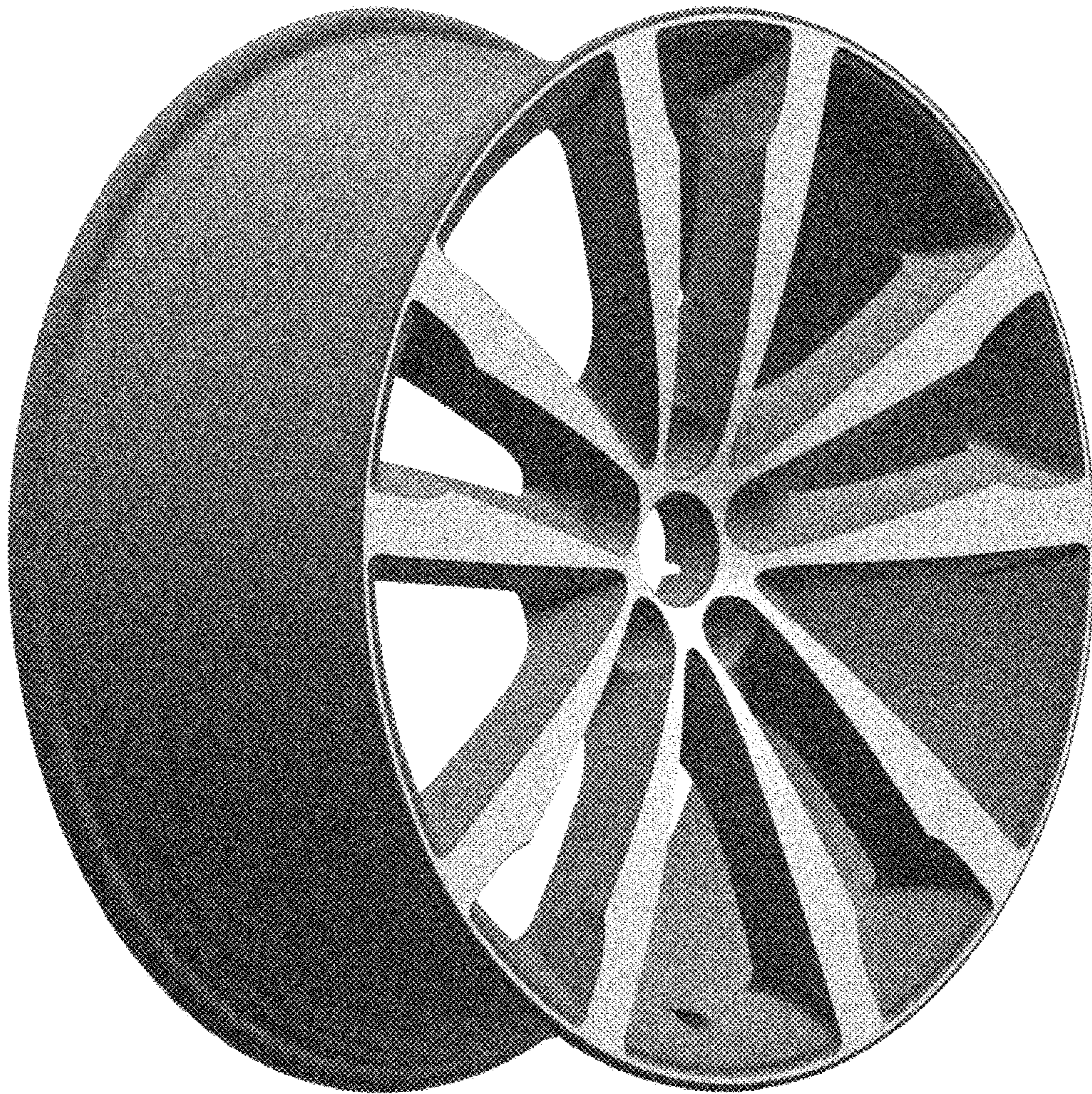


FIG. 6

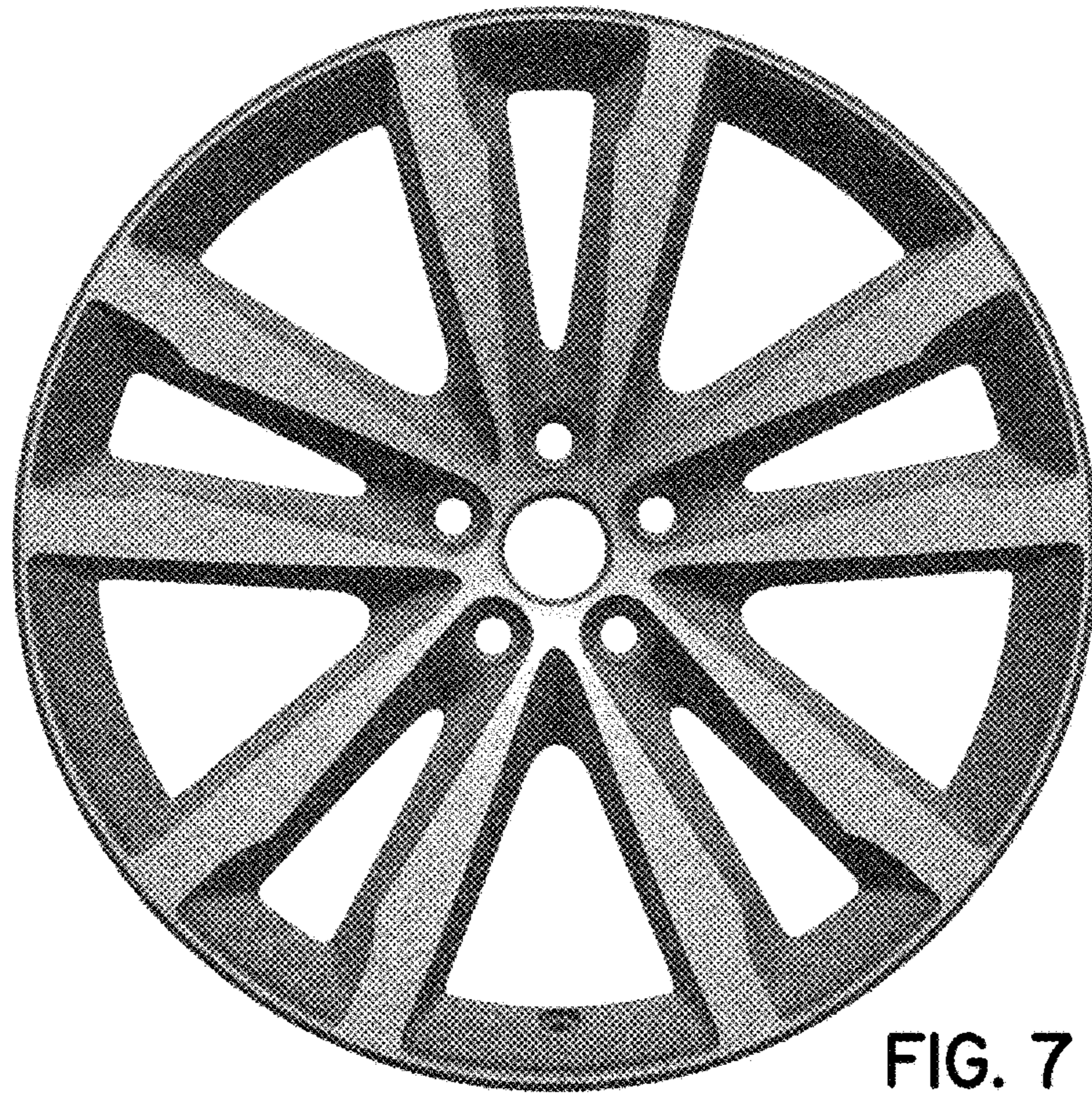


FIG. 7

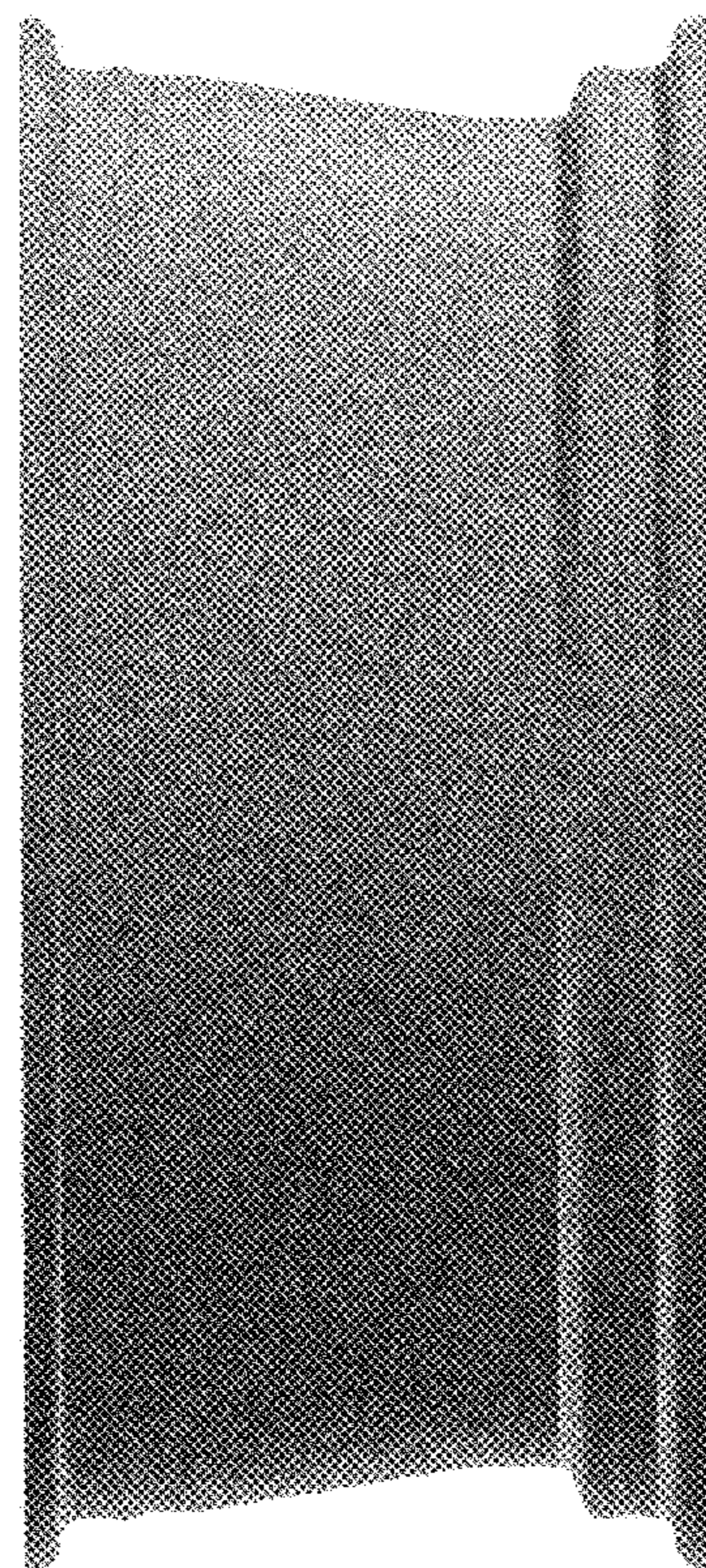


FIG. 8

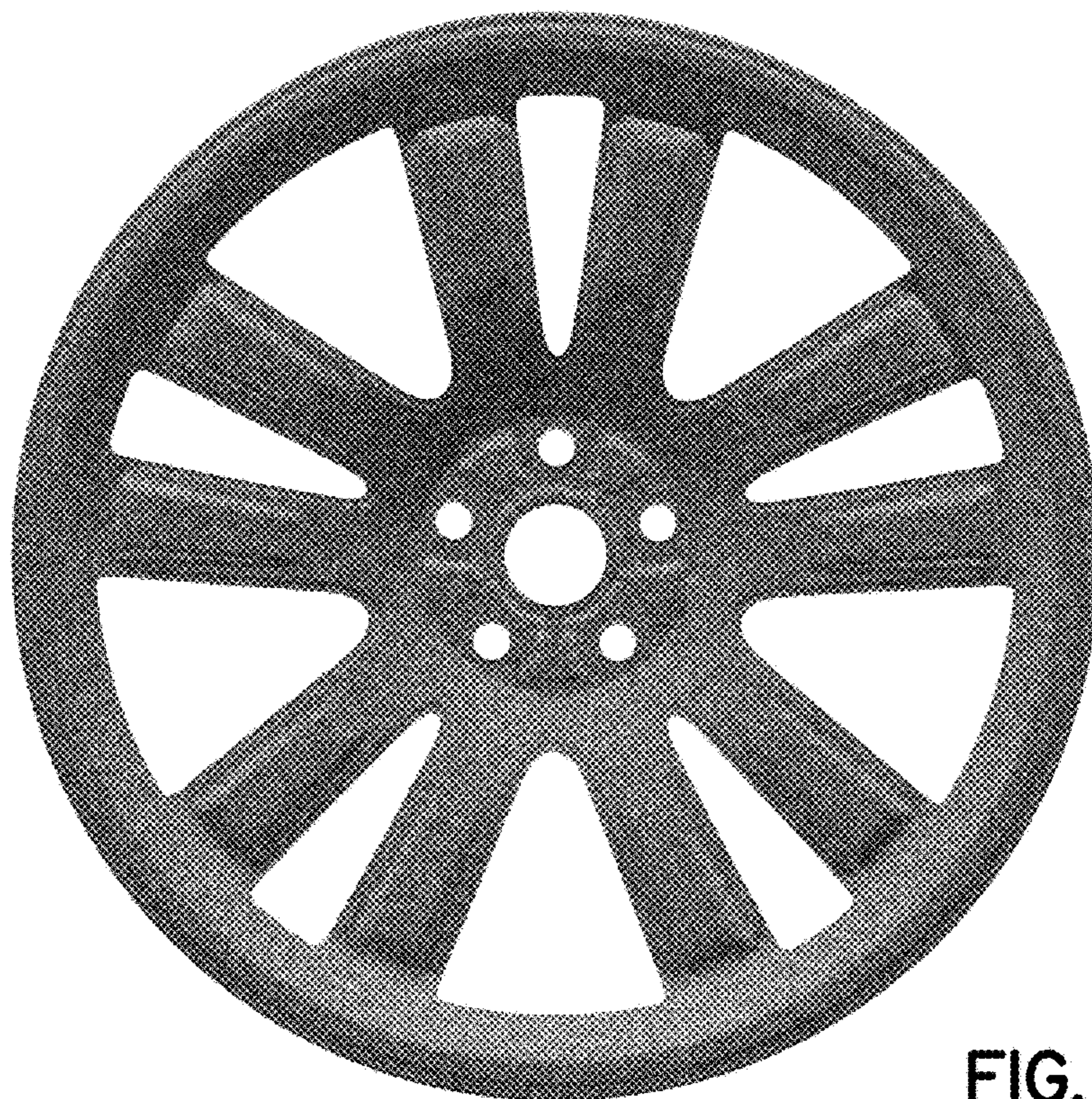


FIG. 9

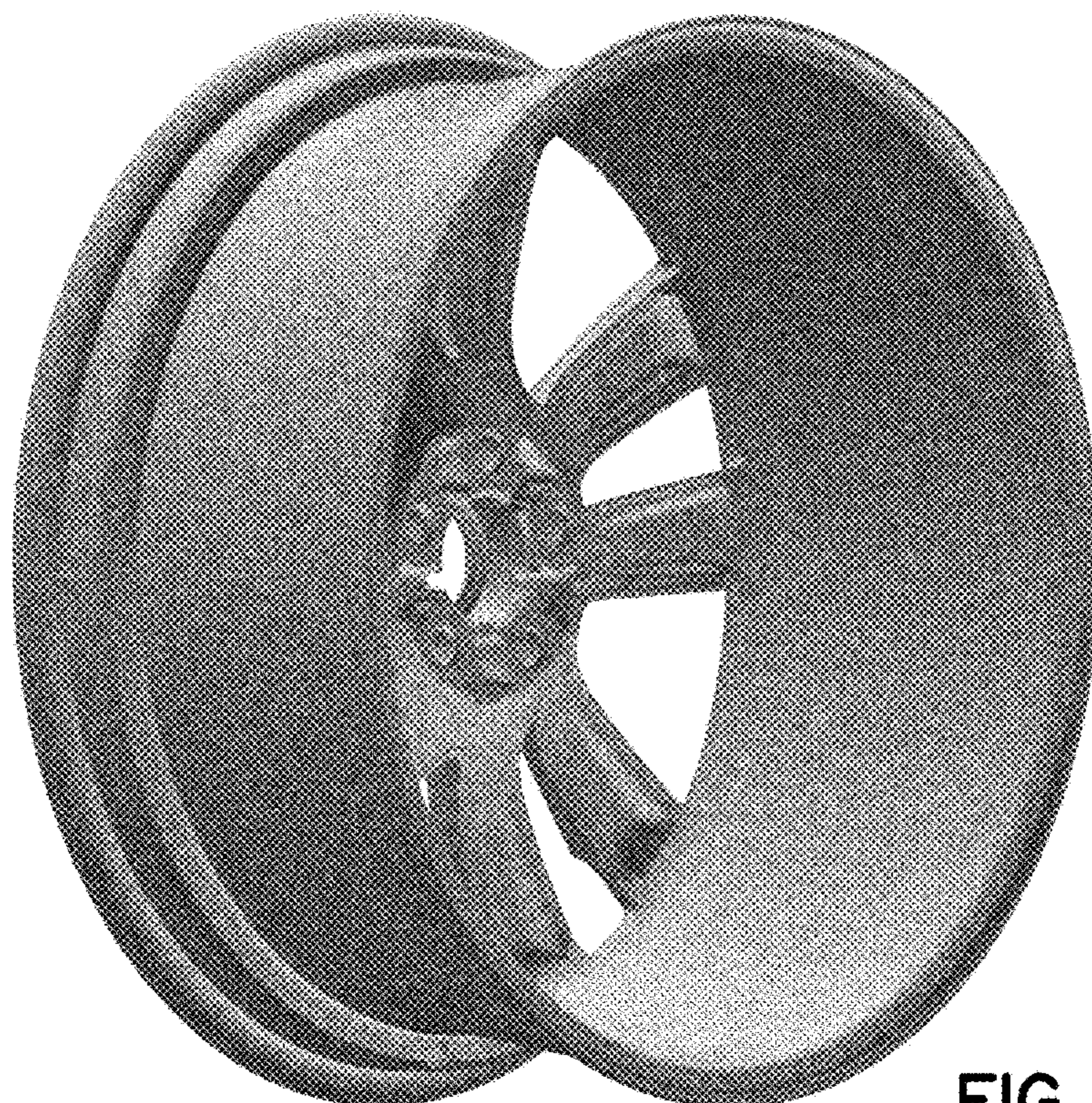


FIG. 10