



US00D784897S

(12) **United States Design Patent**
Zhao

(10) **Patent No.:** **US D784,897 S**

(45) **Date of Patent:** **** Apr. 25, 2017**

(54) **AUTOMOBILE WHEEL**

(71) Applicant: **John Zhao**, Monterey Park, CA (US)

(72) Inventor: **John Zhao**, Monterey Park, CA (US)

(73) Assignee: **Wah Hung Group Inc.**, Monterey Park, CA (US)

(**) Term: **15 Years**

(21) Appl. No.: **29/559,380**

(22) Filed: **Mar. 28, 2016**

(51) **LOC (10) Cl.** **12-16**

(52) **U.S. Cl.**
USPC **D12/211**

(58) **Field of Classification Search**
USPC D12/204–213
CPC B60B 7/00; B60B 7/02; B60B 7/04; B60B 7/01; B60B 7/06; B60B 3/02; B60B 3/04; B60B 3/06; B60B 3/10; B60B 1/00; B60B 1/08; B60B 1/10; B60B 1/12
See application file for complete search history.

(56) **References Cited**

U.S. PATENT DOCUMENTS

D405,409 S	*	2/1999	Baumgartner	D12/211
D527,332 S	*	8/2006	Khan	D12/211
D571,704 S	*	6/2008	Kahn	D12/211
D595,632 S	*	7/2009	Hernandez	D12/211
D615,917 S		5/2010	Zhao		
D616,799 S		6/2010	Zhao		
D616,800 S	*	6/2010	Zhao	D12/209
D616,801 S		6/2010	Zhao		
D616,802 S		6/2010	Zhao		
D617,244 S		6/2010	Zhao		
D617,246 S		6/2010	Zhao		
D617,248 S		6/2010	Zhao		
D617,250 S		6/2010	Zhao		

D617,251 S	6/2010	Zhao
D617,252 S	6/2010	Zhao
D617,253 S	6/2010	Zhao
D617,713 S	6/2010	Zhao
D617,718 S	6/2010	Zhao
D617,719 S	6/2010	Zhao
D617,720 S	6/2010	Zhao
D617,721 S	6/2010	Zhao
D617,722 S	6/2010	Zhao
D617,723 S	6/2010	Zhao
D618,153 S	6/2010	Zhao
D618,154 S	6/2010	Zhao
D618,155 S	6/2010	Zhao
D618,156 S	6/2010	Zhao
D618,605 S	6/2010	Zhao
D618,606 S	6/2010	Zhao
D619,074 S	7/2010	Zhao
D619,075 S	7/2010	Zhao
D620,425 S	7/2010	Zhao
D620,867 S	8/2010	Zhao
D620,874 S	8/2010	Zhao
D622,197 S	8/2010	Zhao
D622,200 S	8/2010	Zhao
D622,201 S	8/2010	Zhao
D622,202 S	8/2010	Zhao

(Continued)

Primary Examiner — Stacia Cadmus

(74) *Attorney, Agent, or Firm* — Adli Law Group P.C.

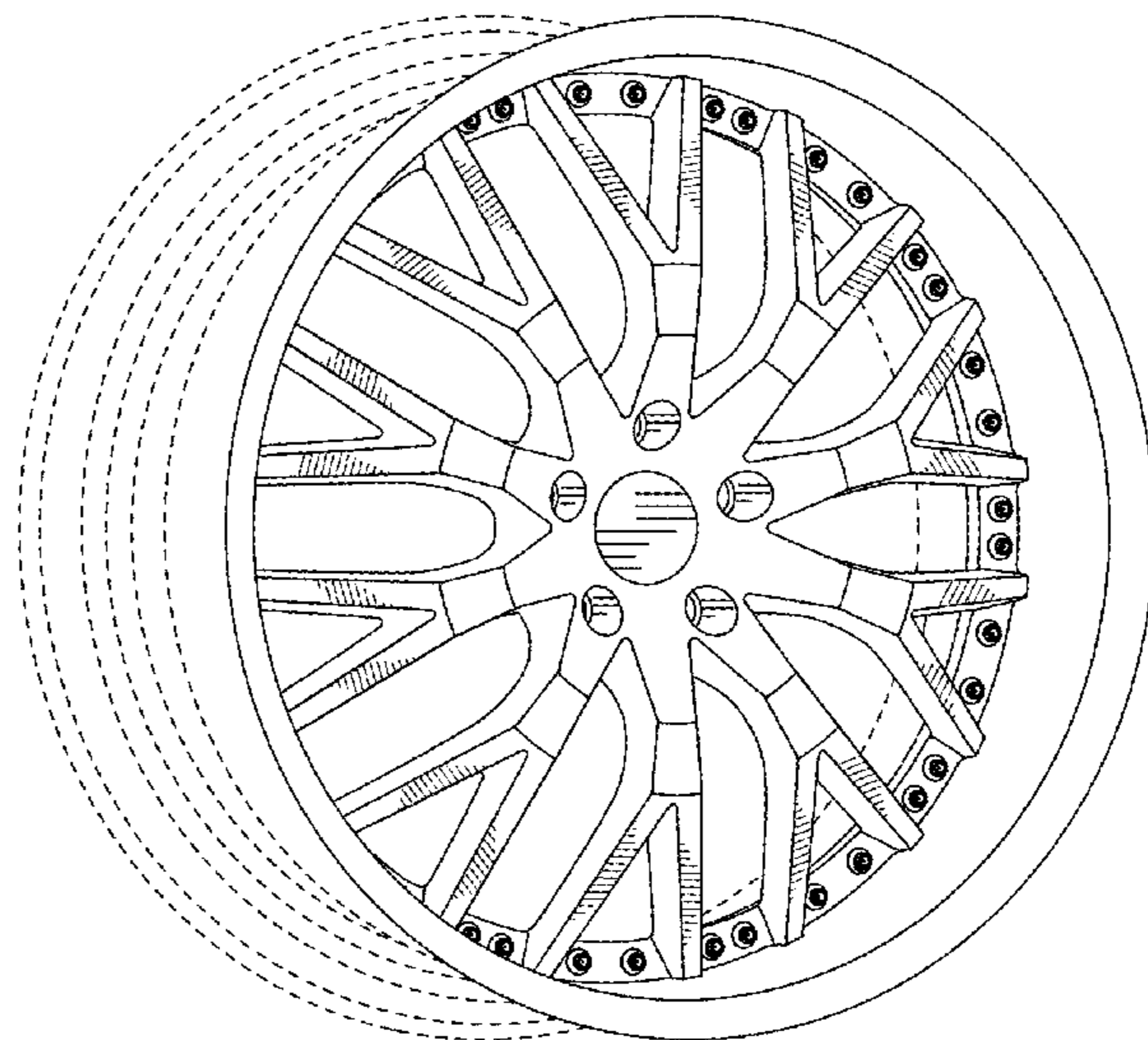
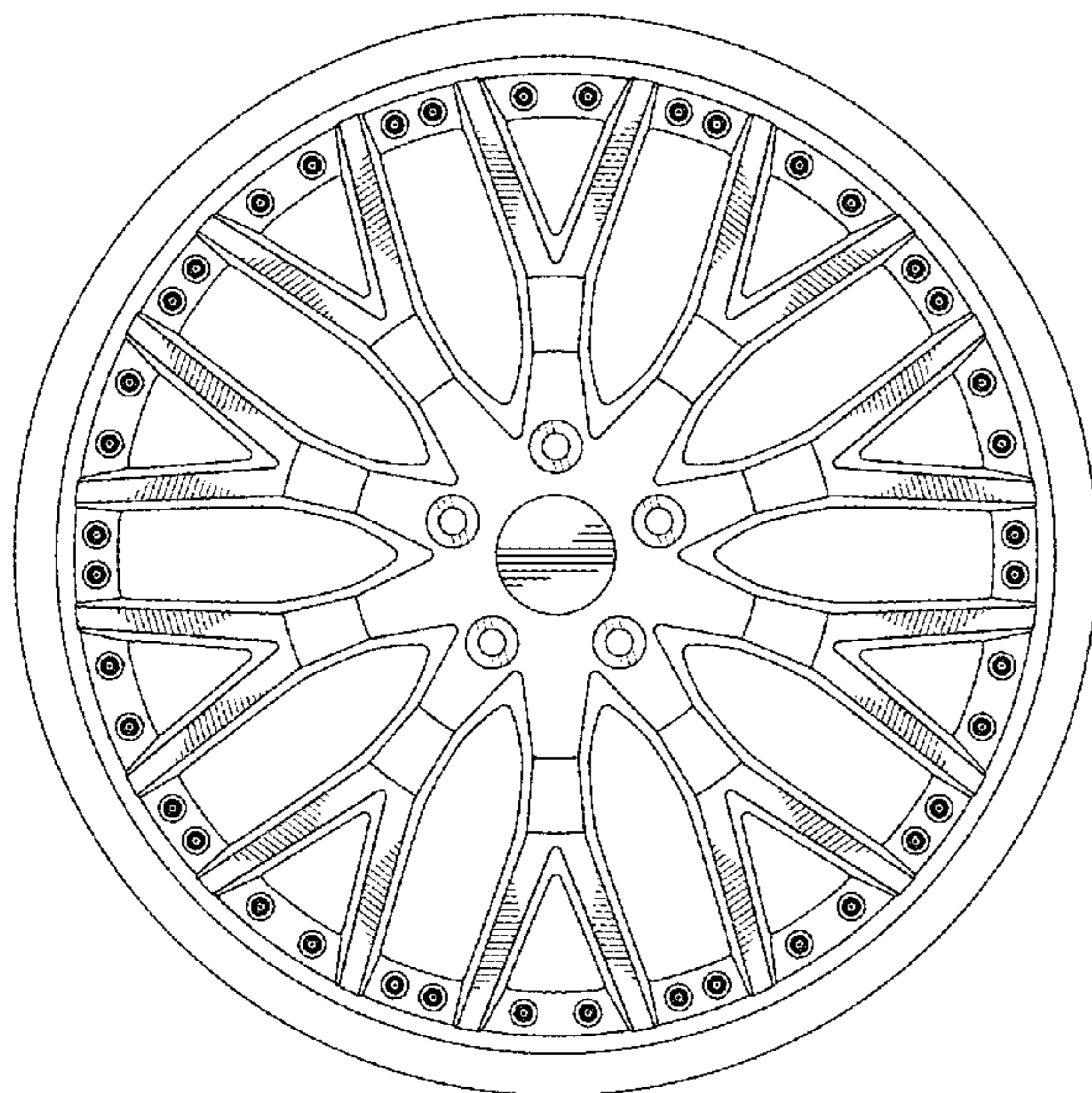
(57) **CLAIM**

I claim the ornamental design for an automobile wheel, as shown and described.

DESCRIPTION

FIG. 1 is a front elevational view of an automobile wheel according to the claimed design; and, FIG. 2 is a perspective view of the automobile wheel according to the claimed design. In the drawings, the broken lines depict environmental subject matter only and form no part of the claimed design.

1 Claim, 2 Drawing Sheets



(56)

References Cited

U.S. PATENT DOCUMENTS

D622,651 S	8/2010	Zhao	
D623,116 S	9/2010	Zhao	
D624,475 S	9/2010	Zhao	
D624,478 S	9/2010	Zhao	
D624,861 S	10/2010	Zhao	
D624,862 S	10/2010	Zhao	
D624,863 S	10/2010	Zhao	
D625,238 S	10/2010	Zhao	
D625,241 S	10/2010	Zhao	
D625,242 S	10/2010	Zhao	
D625,244 S	10/2010	Zhao	
D628,135 S	11/2010	Zhao	
D630,991 S	1/2011	Zhao	
D636,320 S	* 4/2011	Lamm	D12/211
D637,947 S	5/2011	Zhao	
D638,340 S	* 5/2011	Park	D12/209
D639,220 S	6/2011	Zhao	
D649,921 S	* 12/2011	Lucaora	D12/209
D652,362 S	* 1/2012	Lucaora	D12/209
D652,364 S	1/2012	Zhao	
D653,188 S	1/2012	Zhao	
D653,189 S	1/2012	Zhao	
D653,598 S	2/2012	Zhao	
D653,599 S	2/2012	Zhao	
D655,231 S	3/2012	Zhao	
D655,232 S	3/2012	Zhao	
D655,233 S	3/2012	Alfonso	
D655,234 S	3/2012	Zhao	
D655,235 S	3/2012	Zhao	
D655,663 S	3/2012	Zhao	
D655,664 S	3/2012	Zhao	
D655,665 S	3/2012	Zhao	
D655,666 S	3/2012	Zhao	
D656,448 S	3/2012	Zhao	
D656,449 S	3/2012	Zhao	
D656,450 S	3/2012	Zhao	
D656,451 S	3/2012	Zhao	
D662,025 S	* 6/2012	Ettensberger	D12/209
D678,165 S	3/2013	Zhao	
D680,048 S	4/2013	Zhao	
D680,483 S	4/2013	Zhao	
D680,484 S	4/2013	Zhao	
D680,485 S	4/2013	Zhao	
D680,486 S	4/2013	Zhao	
D680,487 S	4/2013	Zhao	
D680,939 S	4/2013	Zhao	
D681,532 S	5/2013	Zhao	
D681,534 S	5/2013	Zhao	
D681,535 S	5/2013	Zhao	
D681,536 S	5/2013	Zhao	
D681,537 S	5/2013	Zhao	
D681,538 S	5/2013	Zhao	
D681,539 S	5/2013	Zhao	
D681,540 S	5/2013	Zhao	
D682,177 S	5/2013	Zhao	
D682,180 S	5/2013	Zhao	
D682,181 S	5/2013	Zhao	
D682,182 S	5/2013	Zhao	
D682,183 S	5/2013	Zhao	
D682,184 S	5/2013	Zhao	
D682,185 S	5/2013	Zhao	
D682,765 S	5/2013	Alfonso	
D682,766 S	5/2013	Zhao	
D682,767 S	5/2013	Zhao	
D682,769 S	5/2013	Zhao	
D682,770 S	5/2013	Zhao	
D683,682 S	6/2013	Alfonso	
D683,686 S	6/2013	Alfonso	
D683,687 S	6/2013	Alfonso	
D683,688 S	6/2013	Alfonso	
D684,101 S	6/2013	Alfonso	
D684,518 S	6/2013	Zhao	
D684,915 S	6/2013	Zhao	
D685,309 S	* 7/2013	Alfonso	D12/209
D685,310 S	7/2013	Alfonso	
D685,311 S	7/2013	Alfonso	
D685,312 S	7/2013	Zhao	
D688,189 S	8/2013	Alfonso	
D695,189 S	12/2013	Zhao	
D695,192 S	12/2013	Zhao	
D695,200 S	12/2013	Zhao	
D695,201 S	12/2013	Zhao	
D699,173 S	2/2014	Zhao	
D699,659 S	2/2014	Zhao	
D699,660 S	2/2014	Zhao	
D706,698 S	6/2014	Zhao	
D722,547 S	2/2015	Zhao	
D723,992 S	3/2015	Zhao	
D723,993 S	3/2015	Zhao	
D723,995 S	3/2015	Zhao	
D723,996 S	3/2015	Zhao	
D725,018 S	3/2015	Zhao	
D726,621 S	4/2015	Alfonso	
D726,623 S	4/2015	Alfonso	
D731,391 S	6/2015	Zhao	
D741,243 S	10/2015	Zhao	
D741,244 S	10/2015	Zhao	
D741,245 S	10/2015	Zhao	
D741,775 S	10/2015	Zhao	
D741,776 S	10/2015	Zhao	
D742,295 S	11/2015	Zhao	
D742,799 S	11/2015	Zhao	
D743,316 S	11/2015	Zhao	
D744,929 S	12/2015	Zhao	
D748,559 S	2/2016	Zhao	
D749,030 S	2/2016	Zhao	
D749,031 S	2/2016	Zhao	
D751,484 S	3/2016	Zhao	
D751,488 S	3/2016	Zhao	
D751,966 S	3/2016	Zhao	
D752,498 S	3/2016	Zhao	
D753,047 S	4/2016	Alfonso	
D756,282 S	5/2016	Zhao	
D756,285 S	5/2016	Zhao	
D756,286 S	5/2016	Zhao	
D756,880 S	5/2016	Zhao	
D756,881 S	5/2016	Zhao	
D758,277 S	6/2016	Alfonso	
D758,941 S	6/2016	Zhao	
D758,942 S	6/2016	Zhao	
D758,945 S	6/2016	Zhao	
D758,946 S	6/2016	Zhao	
D758,947 S	6/2016	Zhao	
D760,142 S	* 6/2016	Chu	D12/211
D760,144 S	6/2016	Zhao	
D763,766 S	8/2016	Alfonso	
D763,767 S	8/2016	Alfonso	
D764,366 S	8/2016	Zhao	
D764,371 S	8/2016	Zhao	
D774,436 S	* 12/2016	Valencia Pollex	D12/209

* cited by examiner

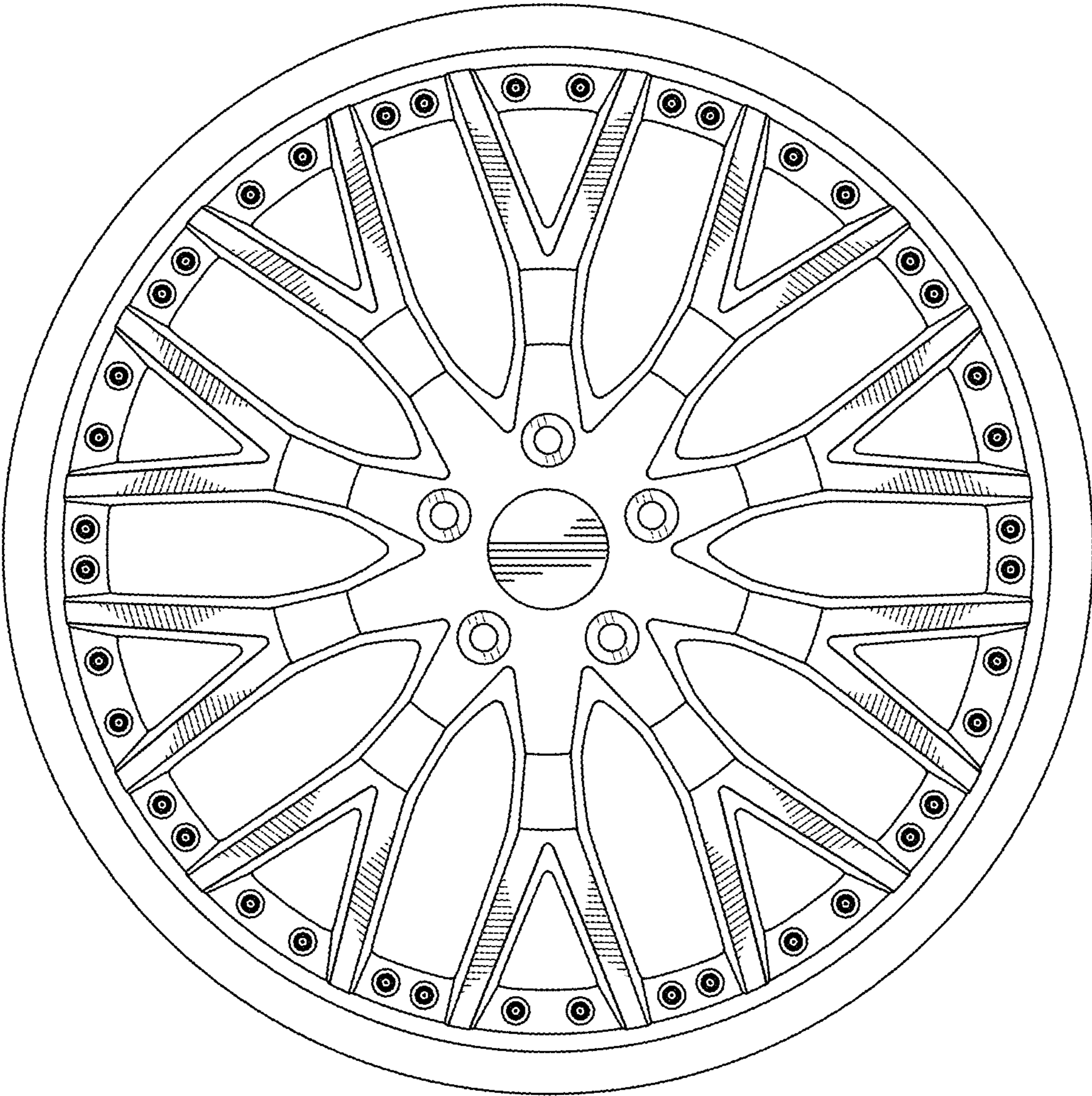


FIG. 1

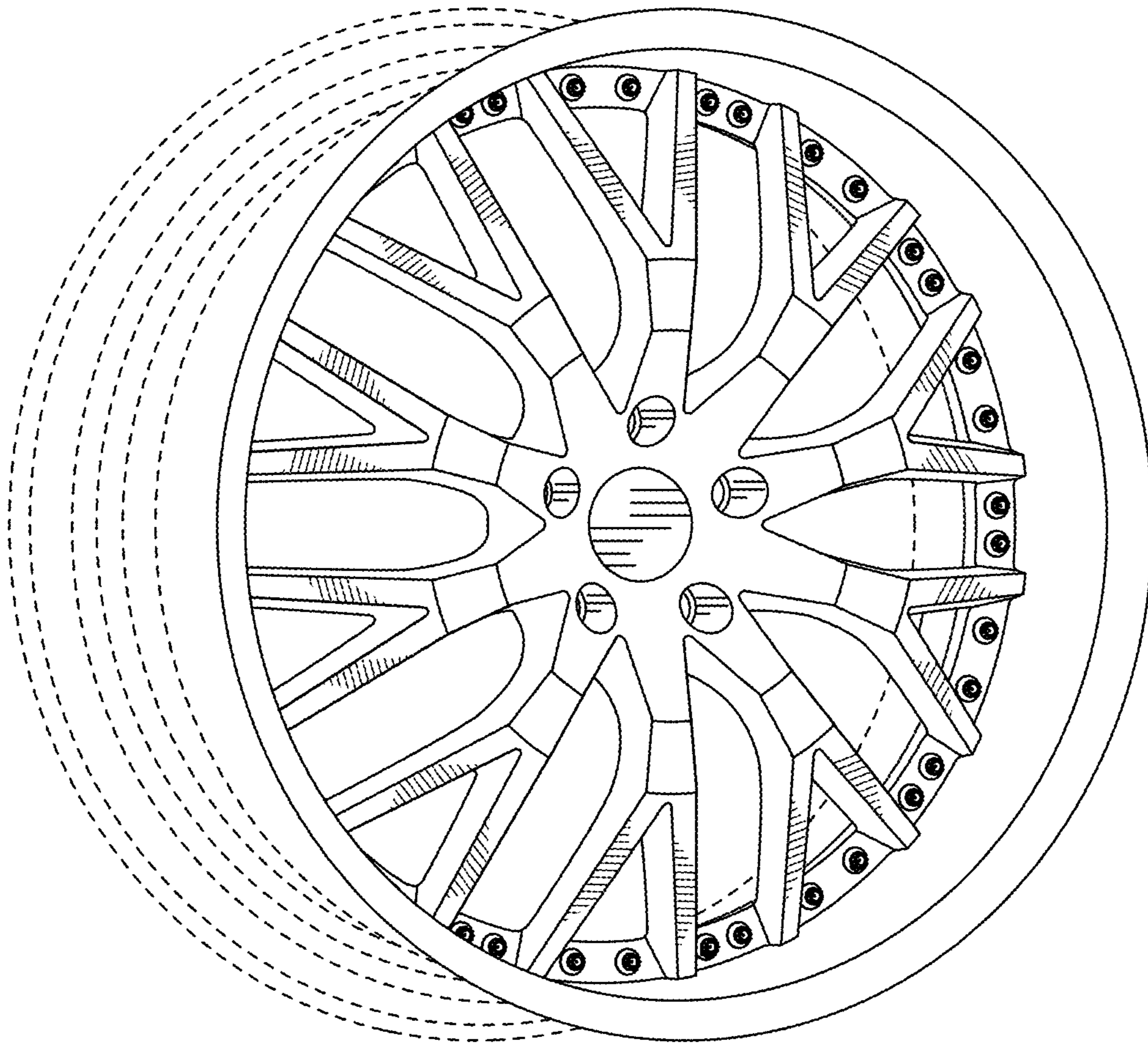


FIG.2