



US00D784896S

(12) **United States Design Patent**
Tovey

(10) **Patent No.:** **US D784,896 S**

(45) **Date of Patent:** **** Apr. 25, 2017**

(54) **WHEEL**

(71) Applicant: **Jaguar Land Rover Limited**, Whitley,
Coventry (GB)

(72) Inventor: **Simon Tovey**, Coventry (GB)

(73) Assignee: **Jaguar Land Rover Limited**, Whitley,
Coventry (GB)

(**) Term: **15 Years**

(21) Appl. No.: **29/538,453**

(22) Filed: **Sep. 3, 2015**

(30) **Foreign Application Priority Data**

Mar. 16, 2015 (EM) 002656405

(51) **LOC (10) Cl.** **12-16**

(52) **U.S. Cl.**
USPC **D12/211**

(58) **Field of Classification Search**
USPC D12/204–213
CPC B60B 7/00; B60B 7/02; B60B 7/04; B60B
7/01; B60B 7/06; B60B 3/02; B60B 3/04;
B60B 3/06; B60B 3/10; B60B 1/00;
B60B 1/08; B60B 1/10; B60B 1/12
See application file for complete search history.

(56) **References Cited**

U.S. PATENT DOCUMENTS

D590,318 S * 4/2009 Theiss D12/211
D597,464 S * 8/2009 Truebsbach D12/211

D622,201 S * 8/2010 Zhao D12/211
D625,245 S * 10/2010 Hans D12/211
D655,665 S * 3/2012 Zhao D12/211
D668,197 S * 10/2012 Gotschke D12/211
D683,689 S * 6/2013 Fahr-Becker D12/211
D713,316 S * 9/2014 Song D12/211
D724,516 S * 3/2015 Di Buduo D12/211
D727,828 S * 4/2015 Amezketa D12/211
D753,042 S * 4/2016 Wheel D12/209
D753,047 S * 4/2016 Alfonso D12/211
D765,007 S * 8/2016 Chung D12/211

* cited by examiner

Primary Examiner — Stacia Cadmus

(74) *Attorney, Agent, or Firm* — Wood Herron & Evans
LLP

(57) **CLAIM**

The ornamental design for a wheel, as shown and described.

DESCRIPTION

FIG. 1 is a front left perspective view of a wheel according to the present invention.

FIG. 2 is a front view of the wheel shown in FIG. 1.

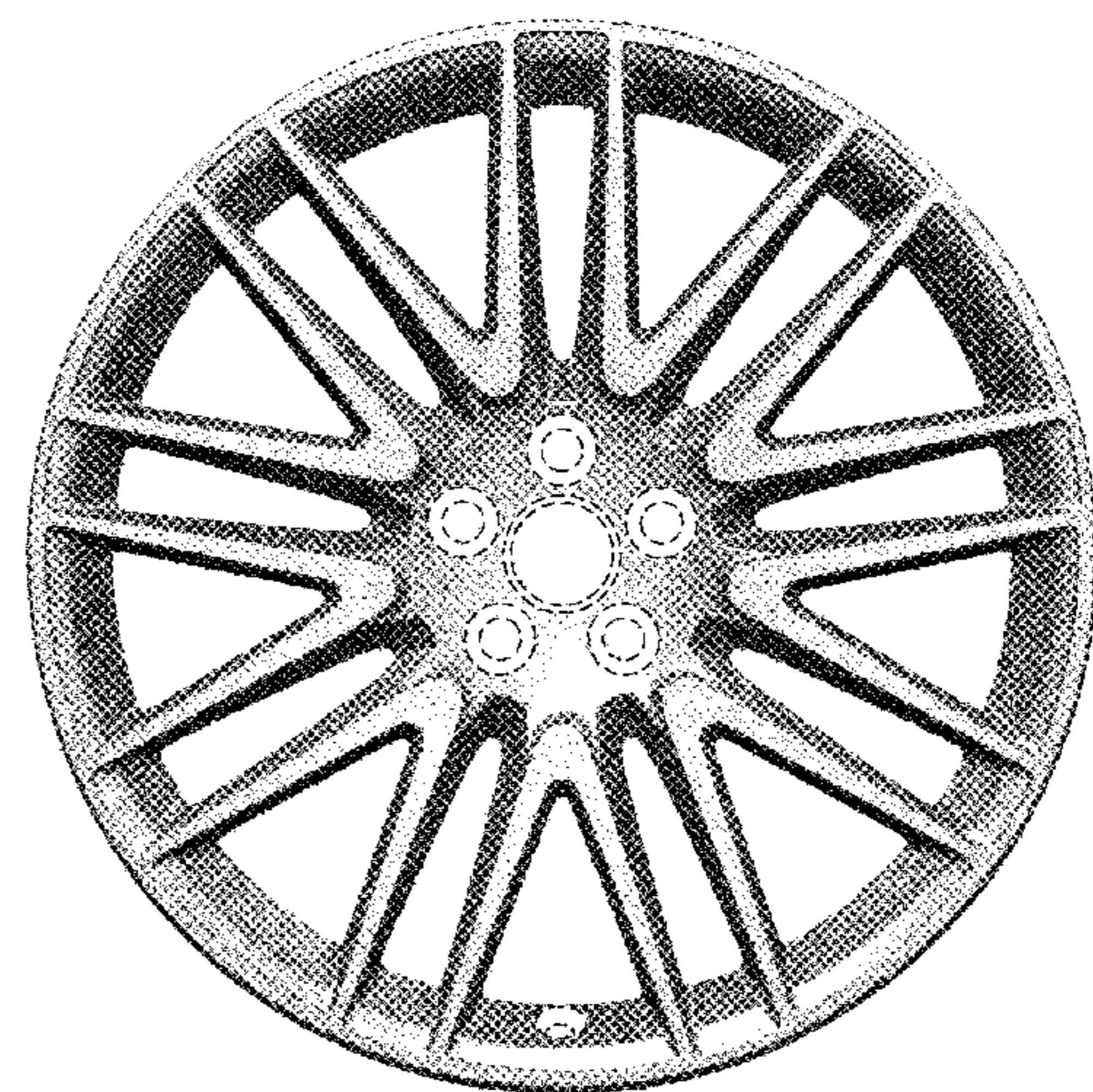
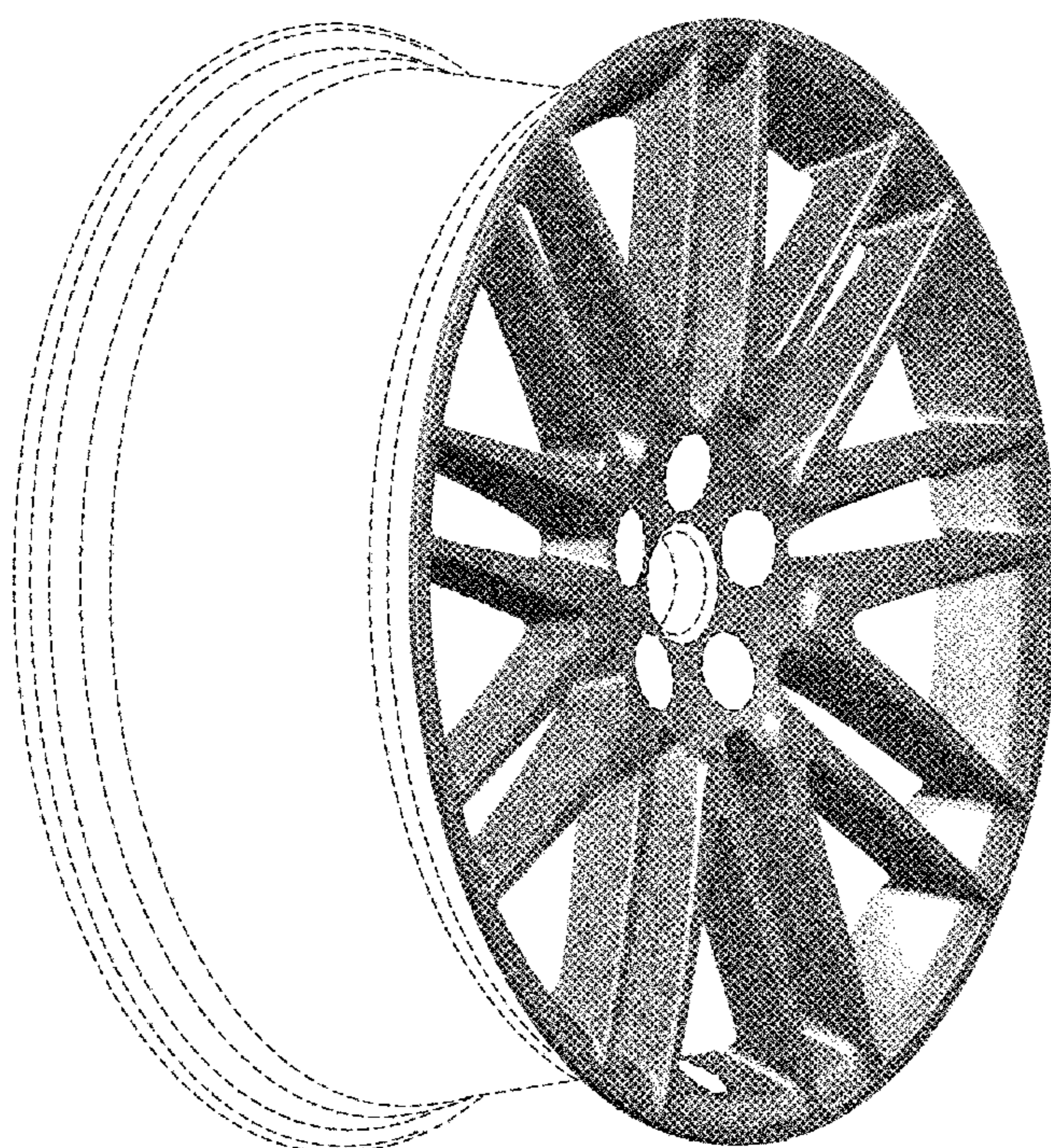
FIG. 3 is a left side view thereof.

FIG. 4 is a front left perspective view of a wheel according to a second embodiment of the present invention.

FIG. 5 is a front view of the wheel shown in FIG. 4; and, FIG. 6 is a left side view thereof.

The broken line showing of the rear of the rim, the valve stem hole, the bolt holes and the center hole in the central hub area is included for the purpose of illustrating environment and forms no part of the claimed design.

1 Claim, 4 Drawing Sheets



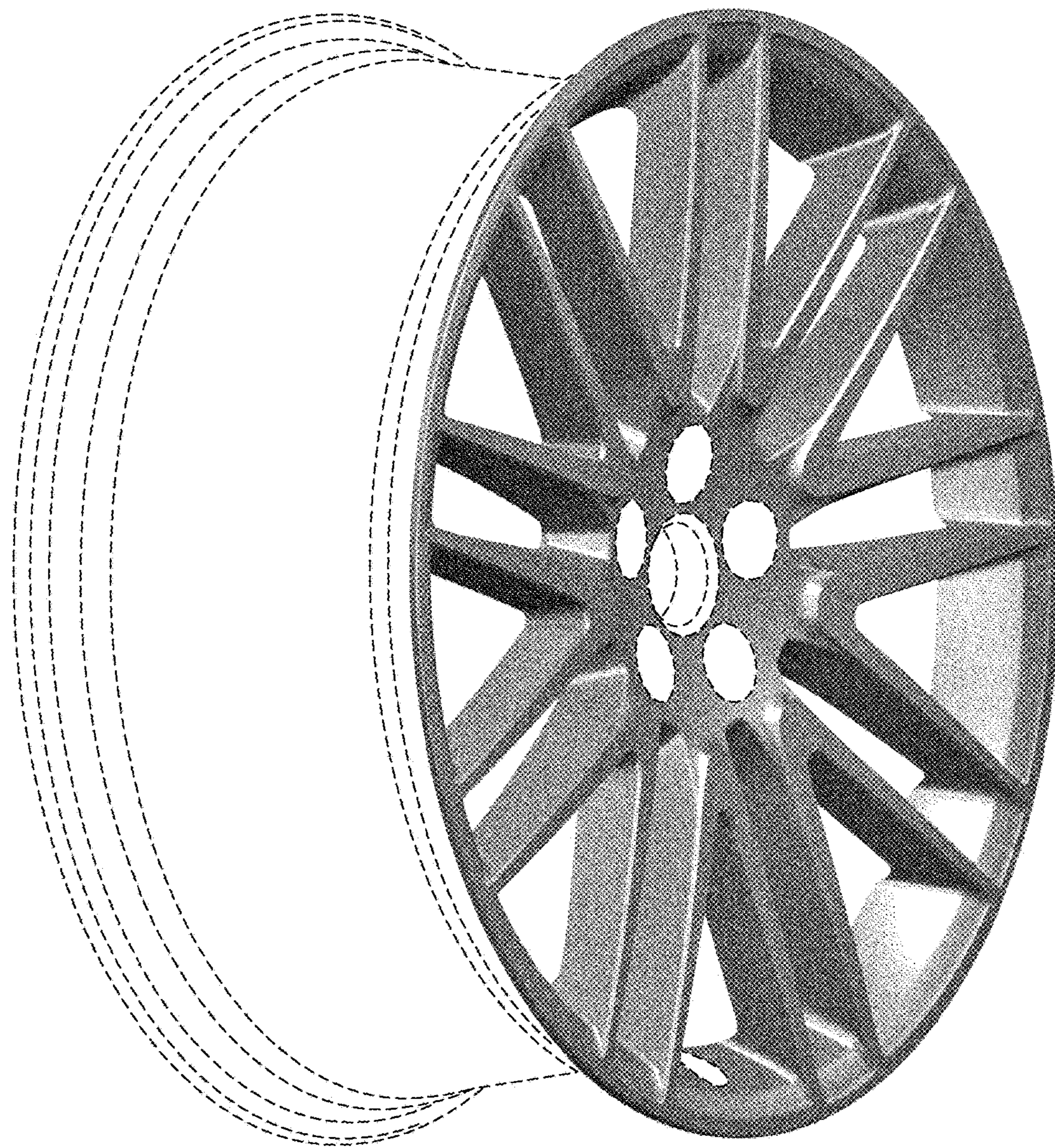


FIG. 1

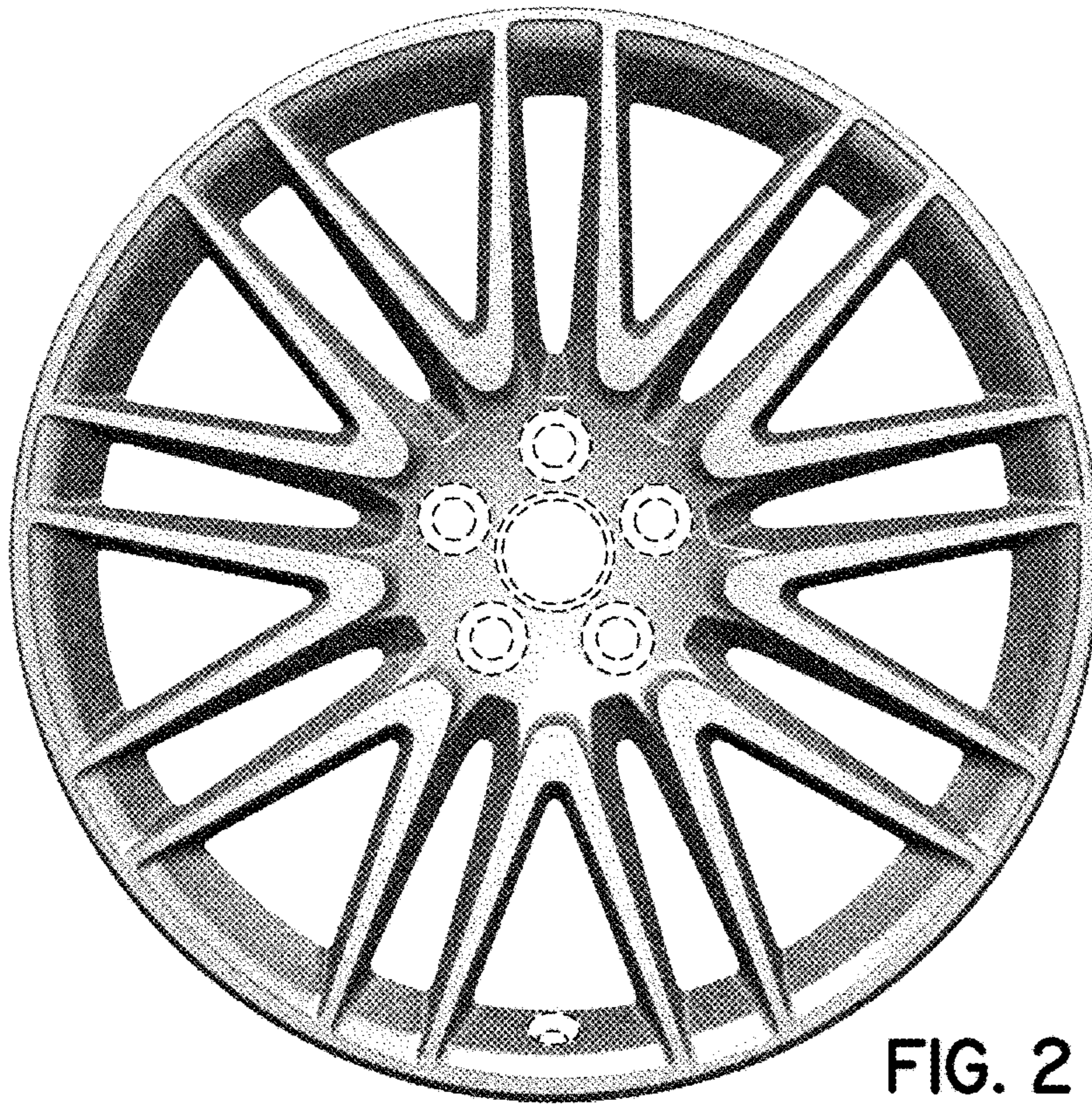


FIG. 2

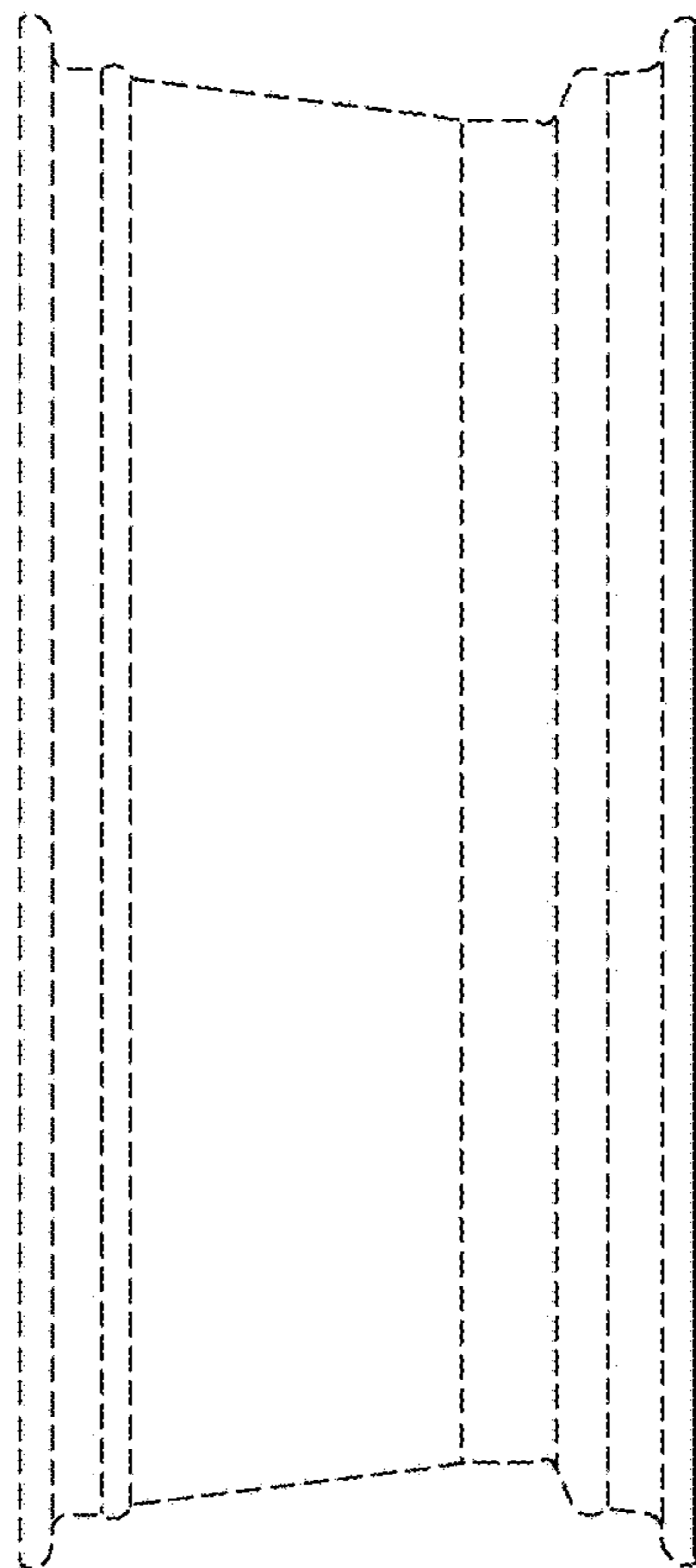


FIG. 3

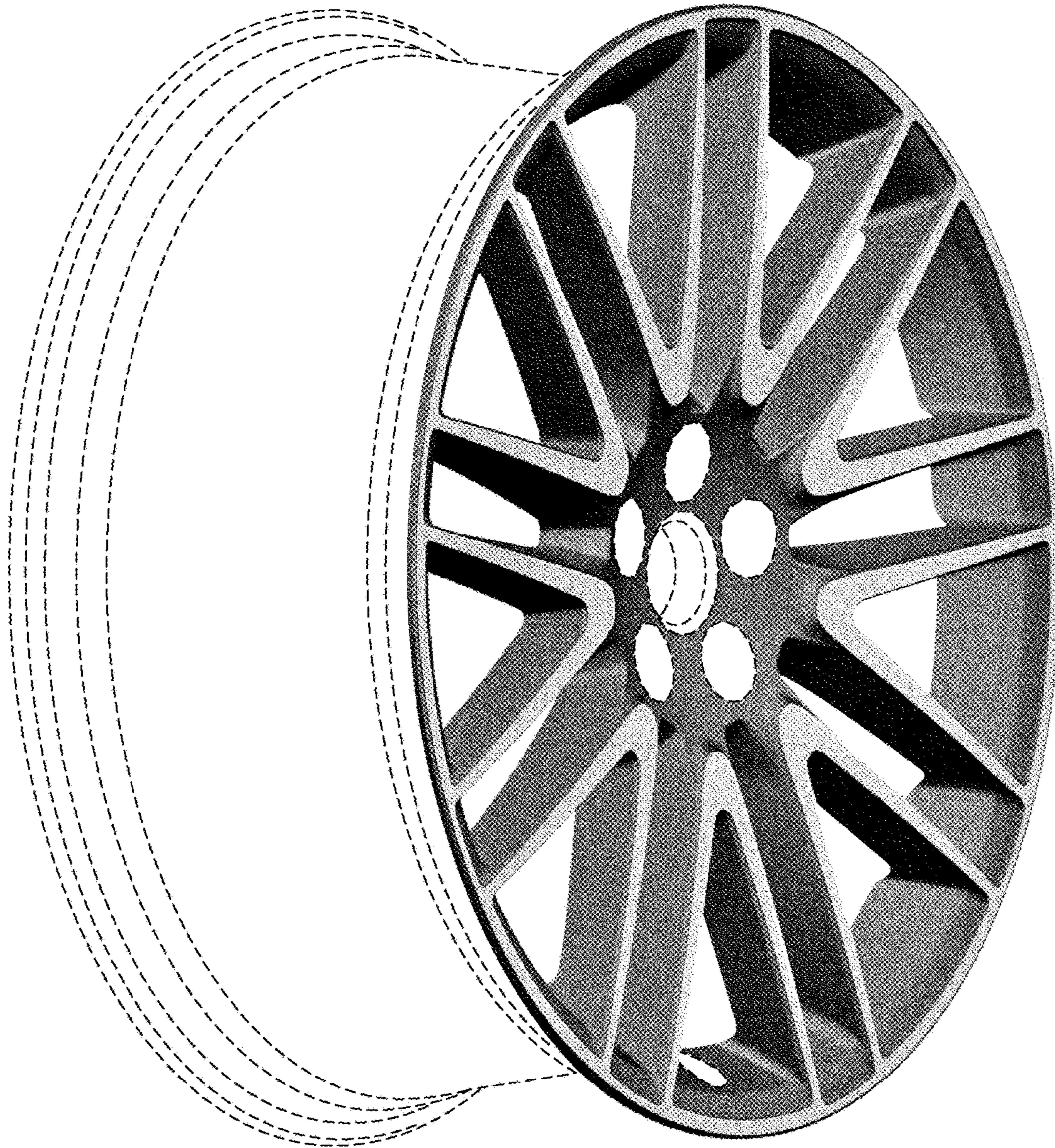


FIG. 4

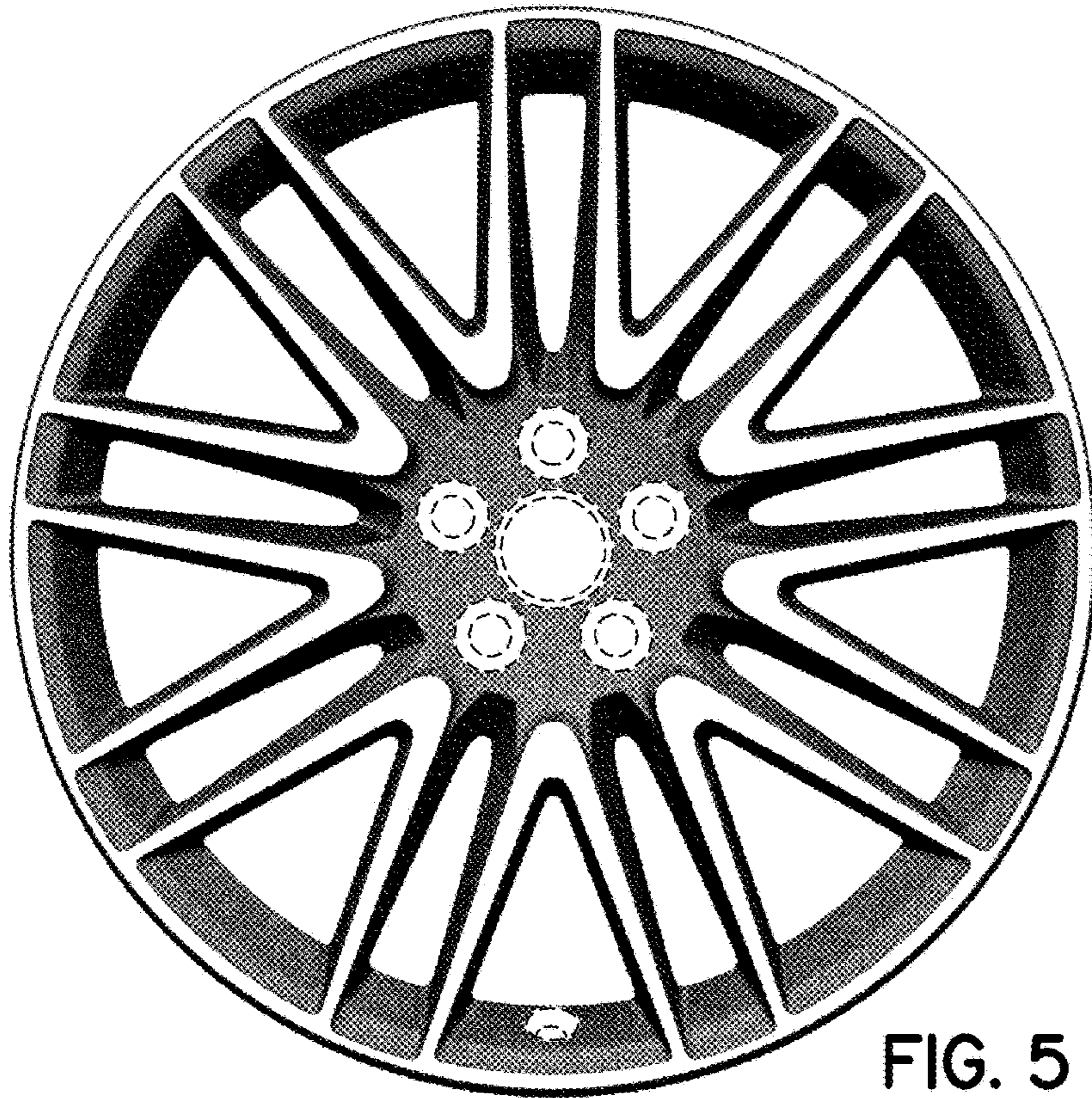


FIG. 5

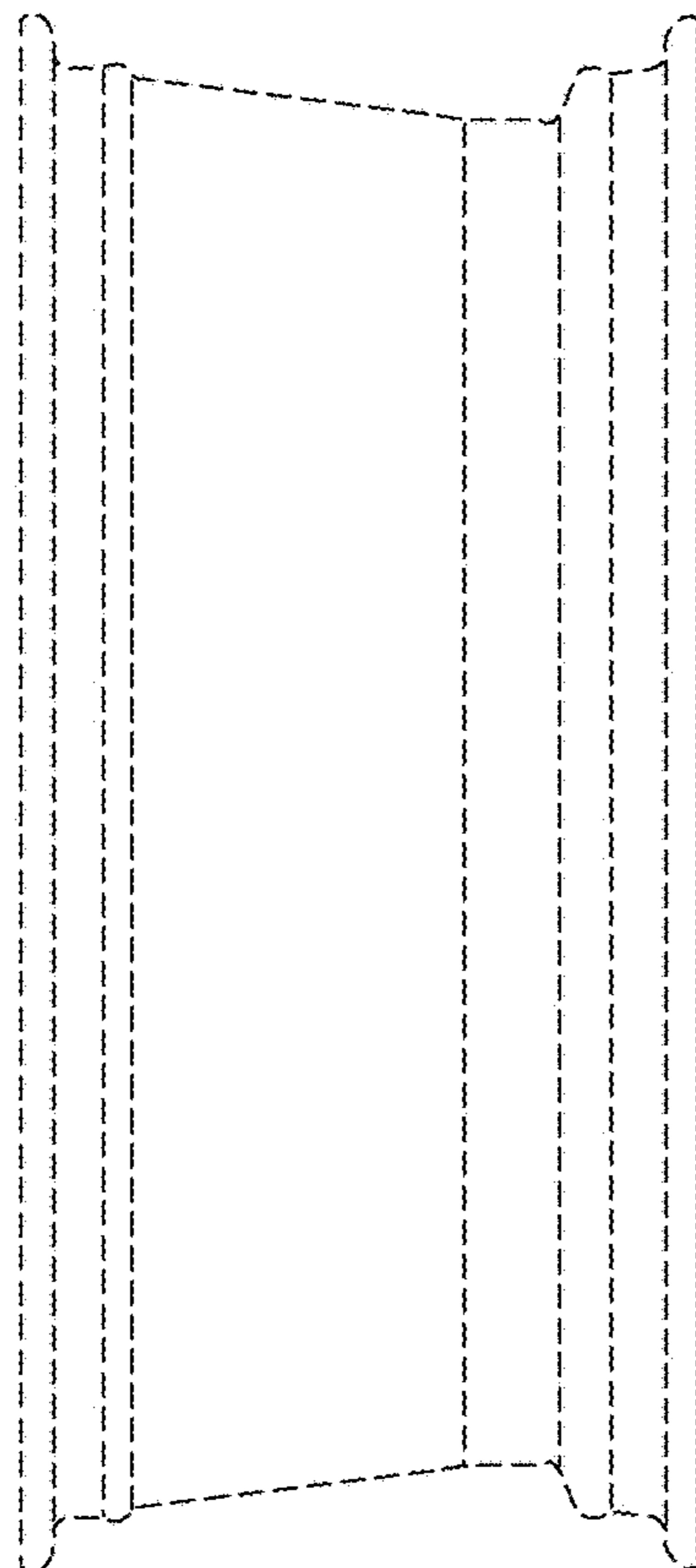


FIG. 6