



US00D784893S

(12) **United States Design Patent**
Pieri

(10) **Patent No.:** **US D784,893 S**

(45) **Date of Patent:** **** Apr. 25, 2017**

(54) **WHEEL**

(71) Applicant: **Jaguar Land Rover Limited**, Whitley,
Coventry (GB)

(72) Inventor: **Cesar Pieri**, Coventry (GB)

(73) Assignee: **Jaguar Land Rover Limited**, Whitley,
Coventry (GB)

(**) Term: **14 Years**

(21) Appl. No.: **29/525,948**

(22) Filed: **May 5, 2015**

(30) **Foreign Application Priority Data**

Nov. 5, 2014 (EM) 002571786

(51) **LOC (10) Cl.** **12-16**

(52) **U.S. Cl.**
USPC **D12/211**

(58) **Field of Classification Search**

USPC D12/204–213

CPC B60B 7/00; B60B 7/02; B60B 7/04; B60B

7/01; B60B 7/06; B60B 3/02; B60B 3/04;

B60B 3/06; B60B 3/10; B60B 1/00;

B60B 1/08; B60B 1/10; B60B 1/12

See application file for complete search history.

(56) **References Cited**

U.S. PATENT DOCUMENTS

D453,134 S *	1/2002	Murkett	D12/209
D608,713 S *	1/2010	Bucher	D12/209
D613,657 S *	4/2010	Cortes	D12/209
D629,346 S *	12/2010	Szews	D12/211
D648,254 S *	11/2011	Barry	D12/209
D649,503 S *	11/2011	Platto	D12/209
D651,956 S *	1/2012	Ectors	D12/209
D664,081 S *	7/2012	Muller	D12/209

D669,008 S *	10/2012	von Holzhausen	D12/211
D670,632 S *	11/2012	Schweizer	D12/211
D673,093 S *	12/2012	Platto	D12/209
D674,330 S *	1/2013	Kito	D12/209
D691,541 S *	10/2013	Behmer	D12/209
D697,007 S *	1/2014	Pollmann	D12/209
D702,614 S *	4/2014	Lemke	D12/211
D707,170 S *	6/2014	Wheel	D12/211
D721,028 S *	1/2015	Lemke	D12/211
D725,570 S *	3/2015	Mays	D12/211
D728,441 S *	5/2015	Zhang	D12/209
D731,389 S *	6/2015	Gotschke	D12/211
D746,756 S *	1/2016	George	D12/211
D751,019 S *	3/2016	Behmer	D12/211
D753,574 S *	4/2016	Mielke	D12/211
D756,875 S *	5/2016	George	D12/209
D756,879 S *	5/2016	George	D12/211

* cited by examiner

Primary Examiner — Stacia Cadmus

(74) *Attorney, Agent, or Firm* — Wood Herron & Evans
LLP

(57) **CLAIM**

The ornamental design for a wheel, as shown and described.

DESCRIPTION

FIG. 1 is a front perspective view of a wheel according to the present invention.

FIG. 2 is a front view of the wheel shown in FIG. 1.

FIG. 3 is a side view of the wheel shown in FIG. 1.

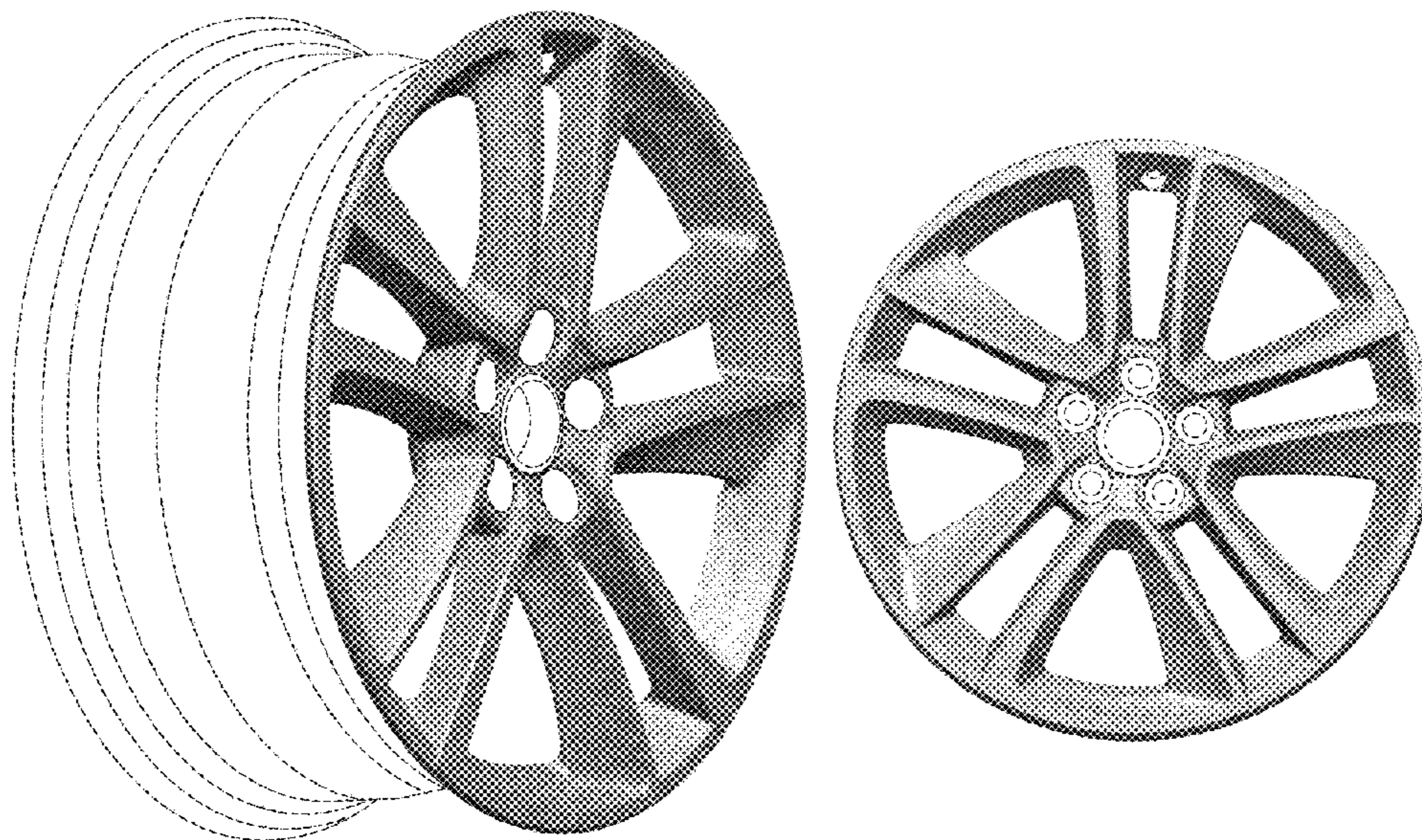
FIG. 4 is a front perspective view of a second embodiment of the present invention.

FIG. 5 is a front view of the wheel shown in FIG. 4; and,

FIG. 6 is a side view of the wheel shown in FIG. 4.

The broken line showing of the rim of the wheel, the valve stem hole, the bolt holes and the center hole is included for the purpose of illustrating environmental subject matter and forms no part of the claimed design.

1 Claim, 4 Drawing Sheets



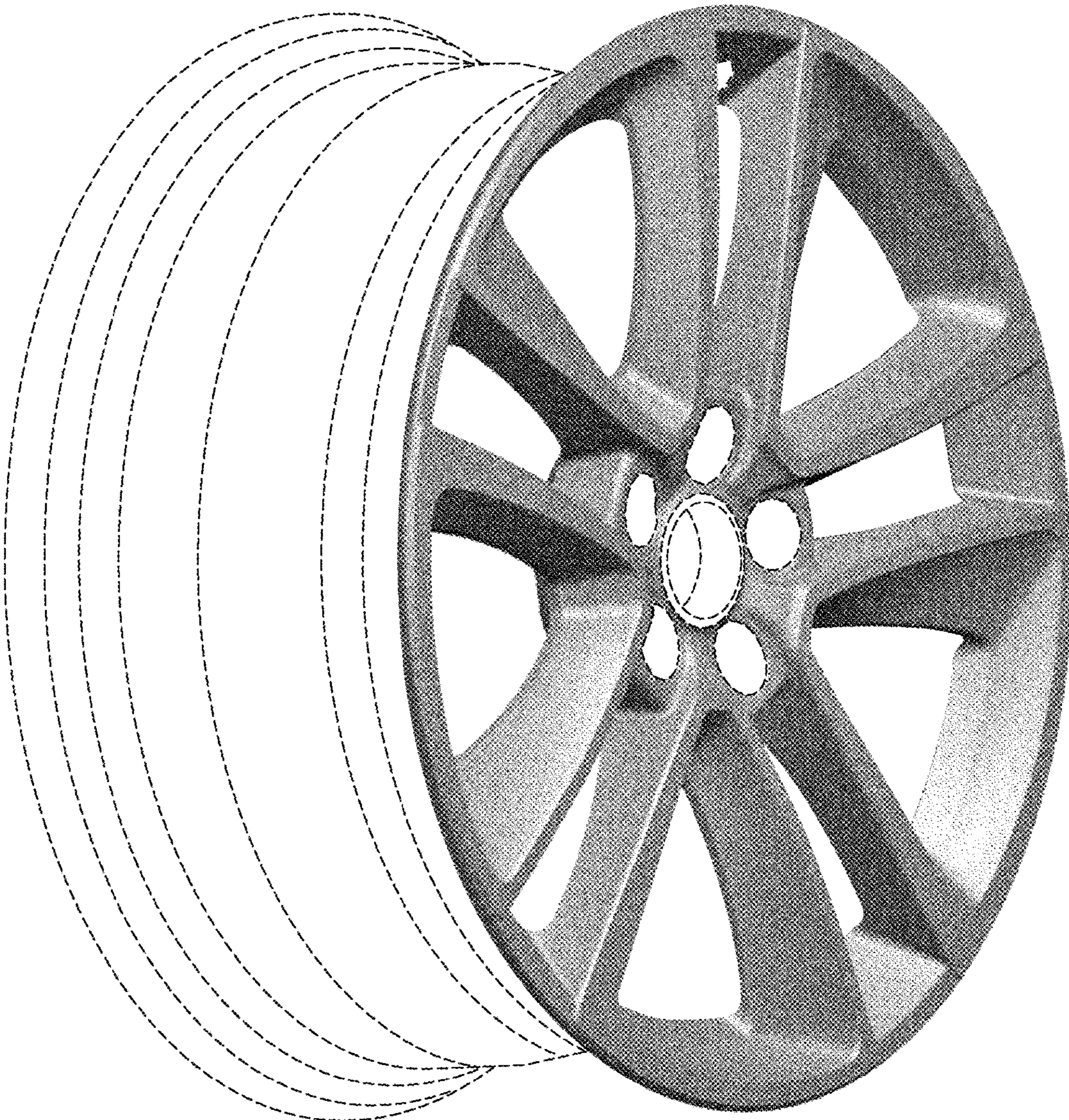


FIG. 1

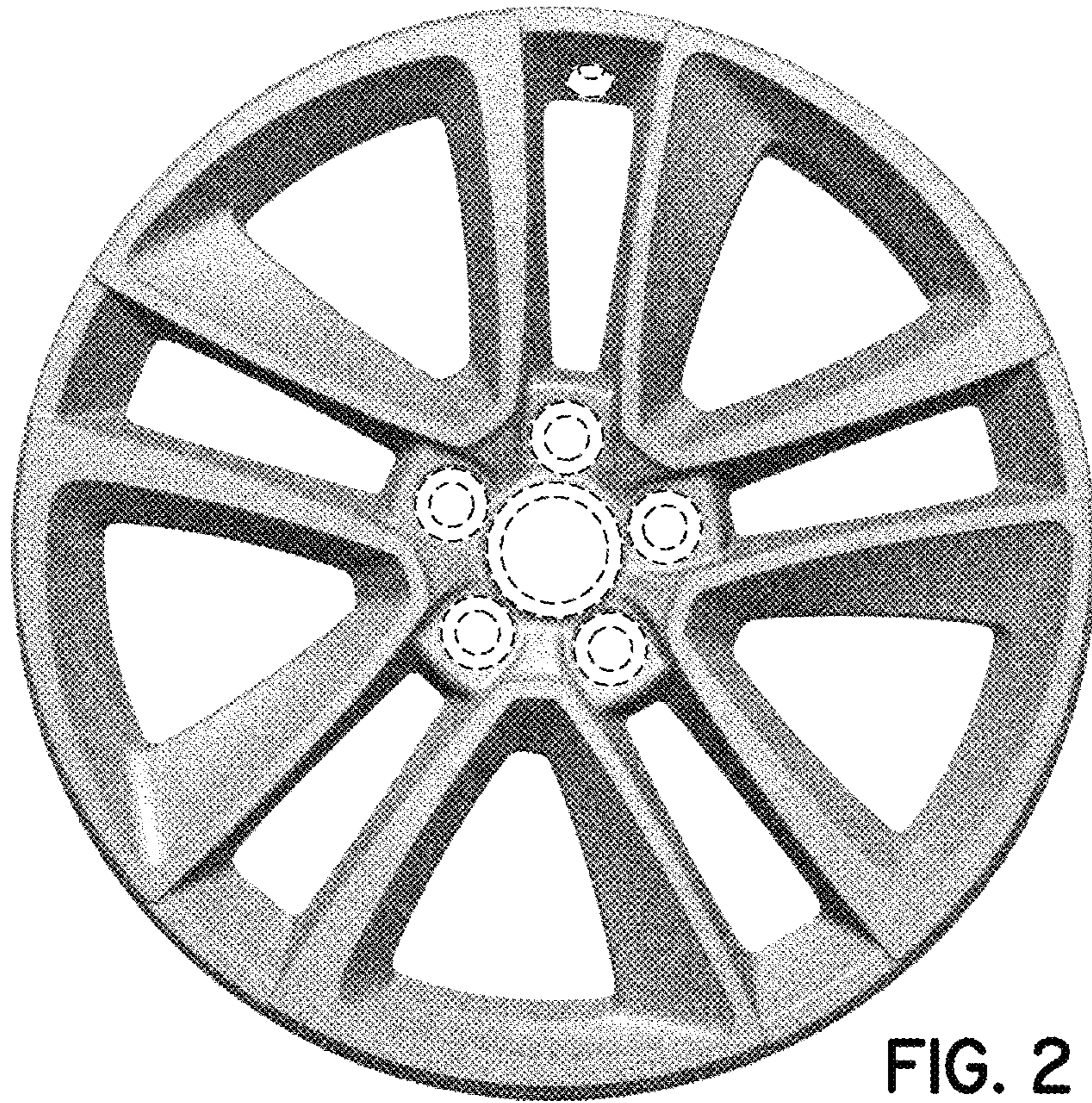


FIG. 2

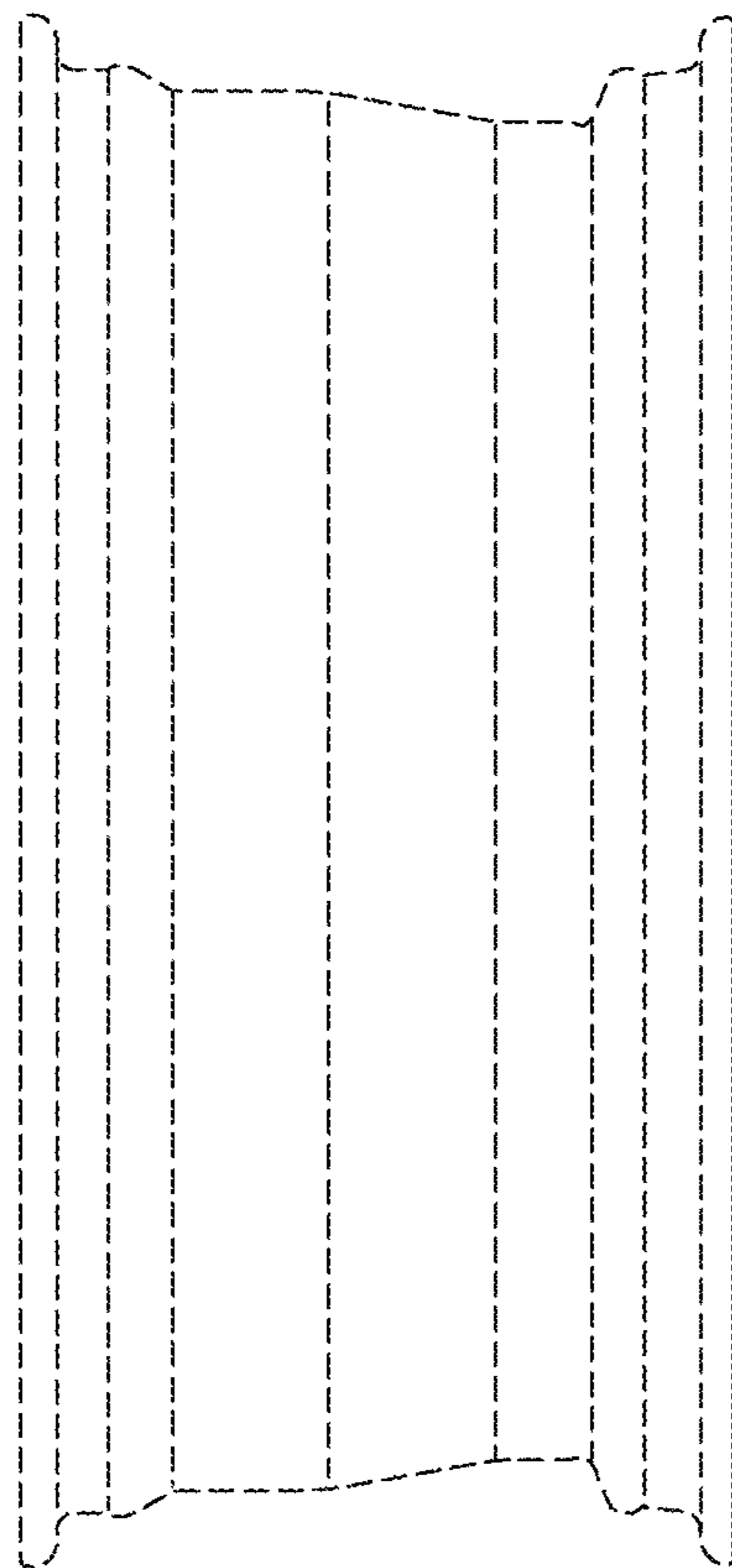


FIG. 3

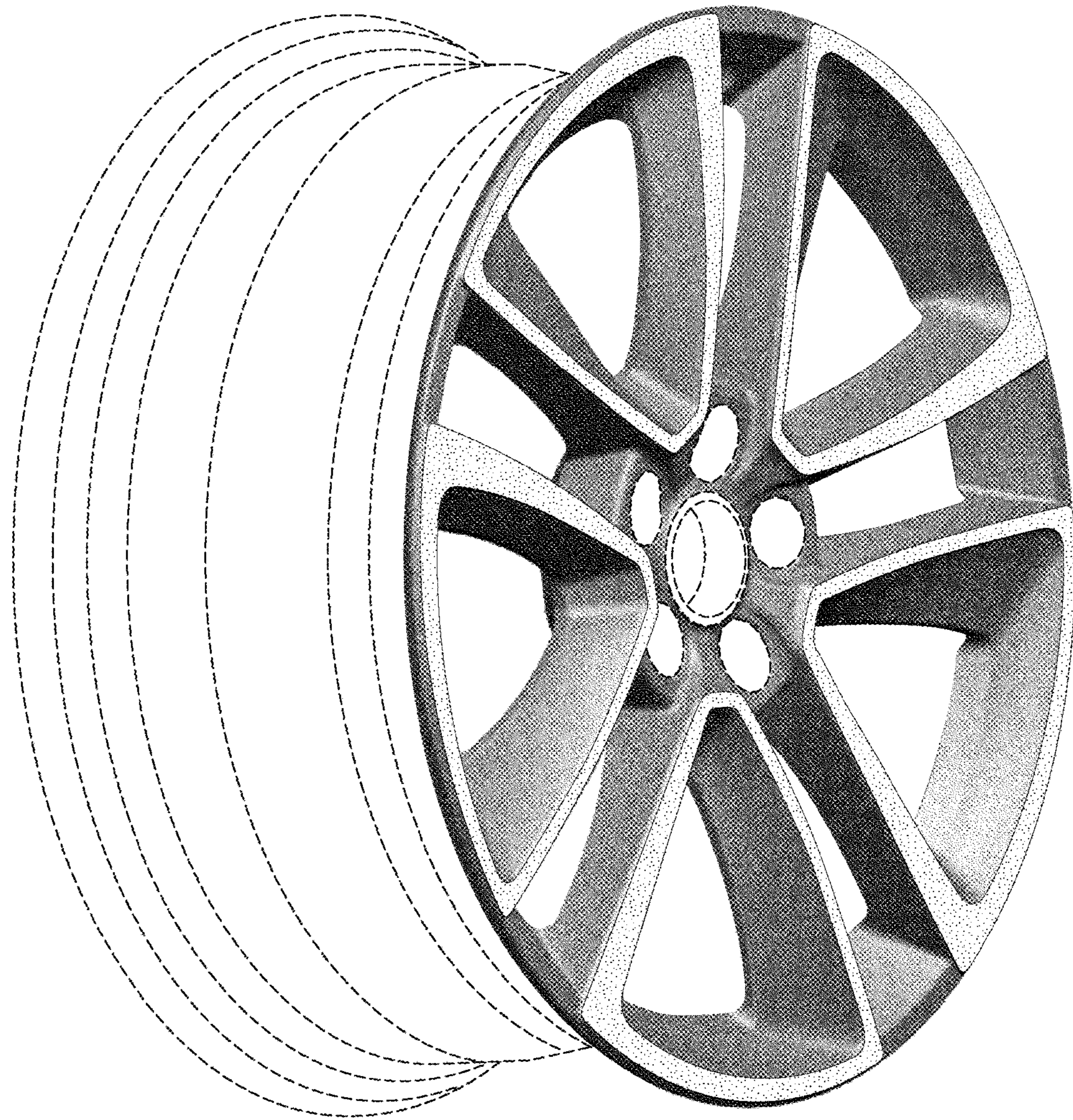


FIG. 4

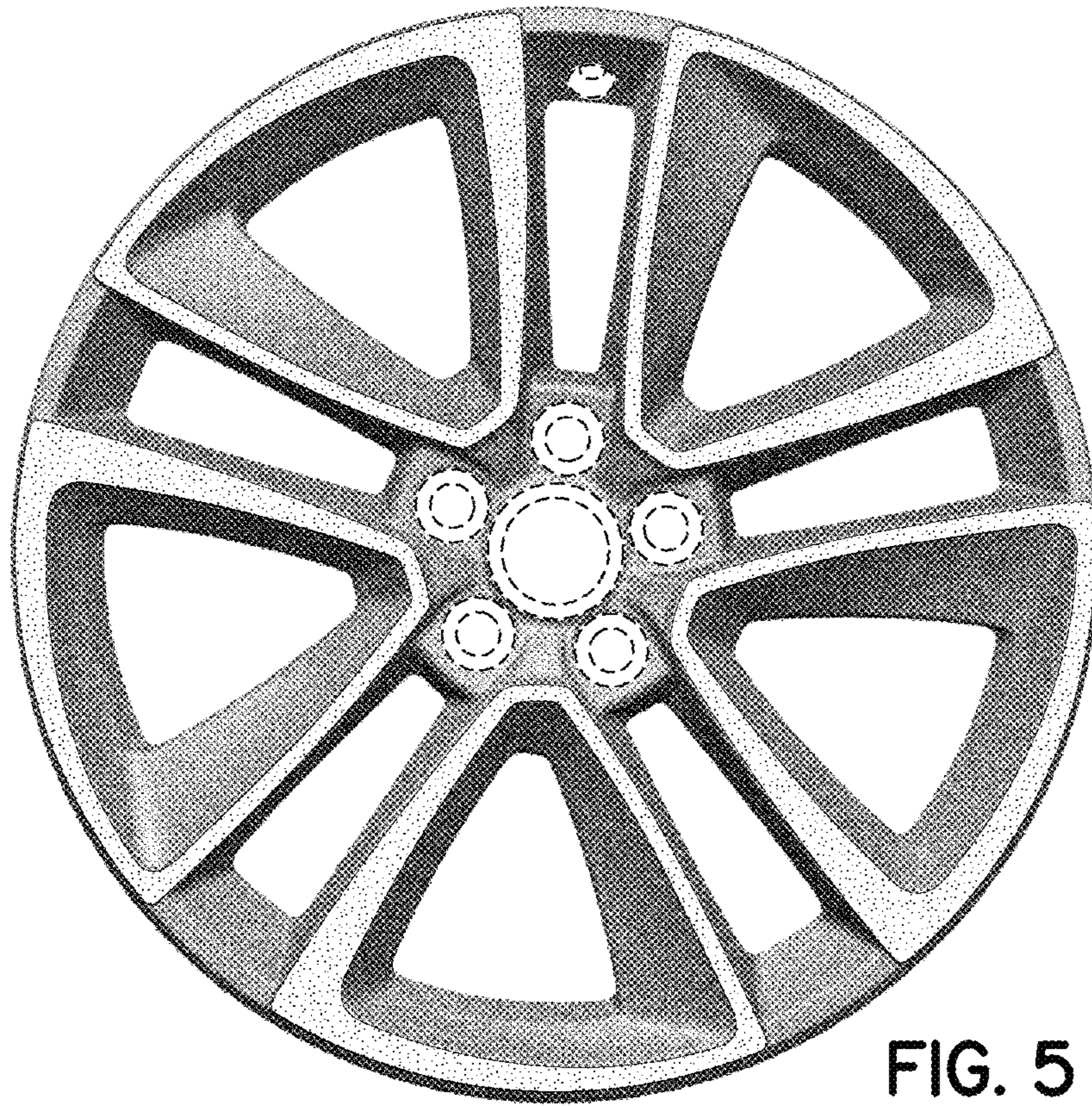


FIG. 5

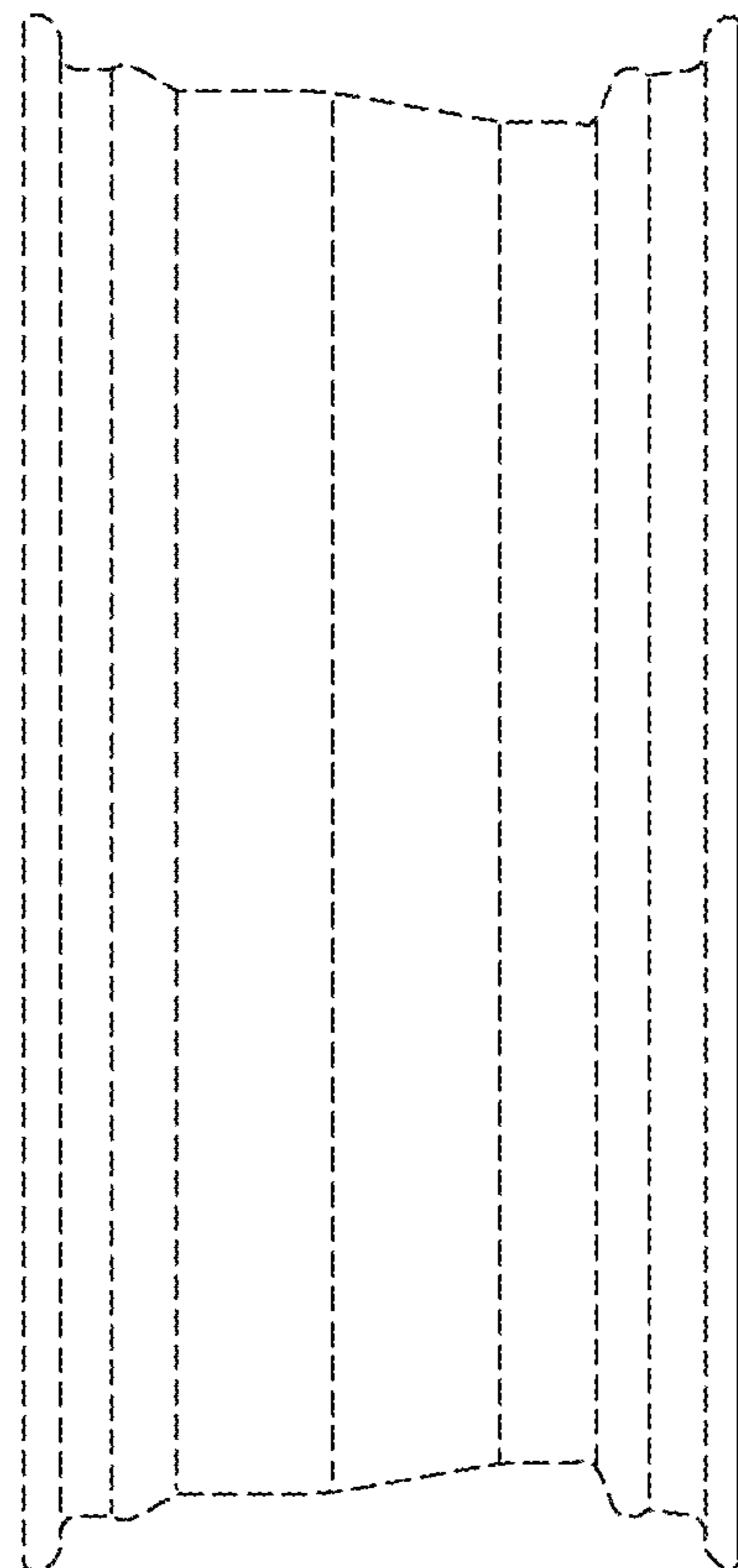


FIG. 6