



US00D784890S

(12) **United States Design Patent**  
**Giolito**

(10) **Patent No.:** **US D784,890 S**

(45) **Date of Patent:** **\*\* Apr. 25, 2017**

(54) **WHEEL**

(71) Applicant: **FCA Italy S.p.A.**, Turin (IT)

(72) Inventor: **Roberto Giolito**, Turin (IT)

(73) Assignee: **FCA ITALY S.p.A.**, Turin (IT)

(\*\*) Term: **15 Years**

(21) Appl. No.: **29/544,883**

(22) Filed: **Nov. 6, 2015**

(30) **Foreign Application Priority Data**

May 21, 2015 (EM) ..... 002704932

(51) **LOC (10) Cl.** ..... **12-16**

(52) **U.S. Cl.**  
USPC ..... **D12/209**

(58) **Field of Classification Search**  
USPC ..... D12/204, 205, 206, 207, 208, 209, 210,  
D12/211, 212, 213

CPC .... B60B 7/00; B60B 7/01; B60B 7/02; B60B  
7/04; B60B 7/06; B60B 3/02; B60B 3/04;  
B60B 3/06; B60B 3/10; B60B 1/00;  
B60B 1/08; B60B 1/10; B60B 1/12

See application file for complete search history.

(56) **References Cited**

**U.S. PATENT DOCUMENTS**

D405,409 S \* 2/1999 Baumgartner ..... D12/211  
D450,650 S \* 11/2001 Cinibulk ..... D12/211  
D493,406 S \* 7/2004 Kataoka ..... D12/211  
D500,278 S \* 12/2004 Huet ..... D12/211  
D516,488 S \* 3/2006 Truebsbach ..... D12/209  
D517,971 S \* 3/2006 Pfeiffer ..... D12/211

D584,673 S \* 1/2009 Chung ..... D12/209  
D695,666 S \* 12/2013 Chung ..... D12/209  
D714,202 S \* 9/2014 Kim ..... D12/209  
D747,254 S \* 1/2016 Liu ..... D12/211  
D749,483 S \* 2/2016 Hodges ..... D12/209  
2005/0241740 A1\* 11/2005 Tanaka ..... B60B 3/002  
152/379.3  
2011/0241414 A1\* 10/2011 Ono ..... B21K 1/28  
301/63.103

**OTHER PUBLICATIONS**

[http://www.eudmautosports.com/#!/untitled/zoom/coc4/image\\_liba](http://www.eudmautosports.com/#!/untitled/zoom/coc4/image_liba)—Retrieved Sep. 6, 2016.\*  
<https://www.pinterest.com/pin/526076800203529961/>—Retrieved Sep. 6, 2016.\*

\* cited by examiner

*Primary Examiner* — Manpreet Matharu

*Assistant Examiner* — Mojtaba Tehrani

(74) *Attorney, Agent, or Firm* — Cowan, Liebowitz & Latman, P.C.

(57) **CLAIM**

The ornamental design for a wheel, as shown and described.

**DESCRIPTION**

FIG. 1 is a perspective view of the wheel showing my new design;

FIG. 2 is a front view thereof;

FIG. 3 is a right side view thereof;

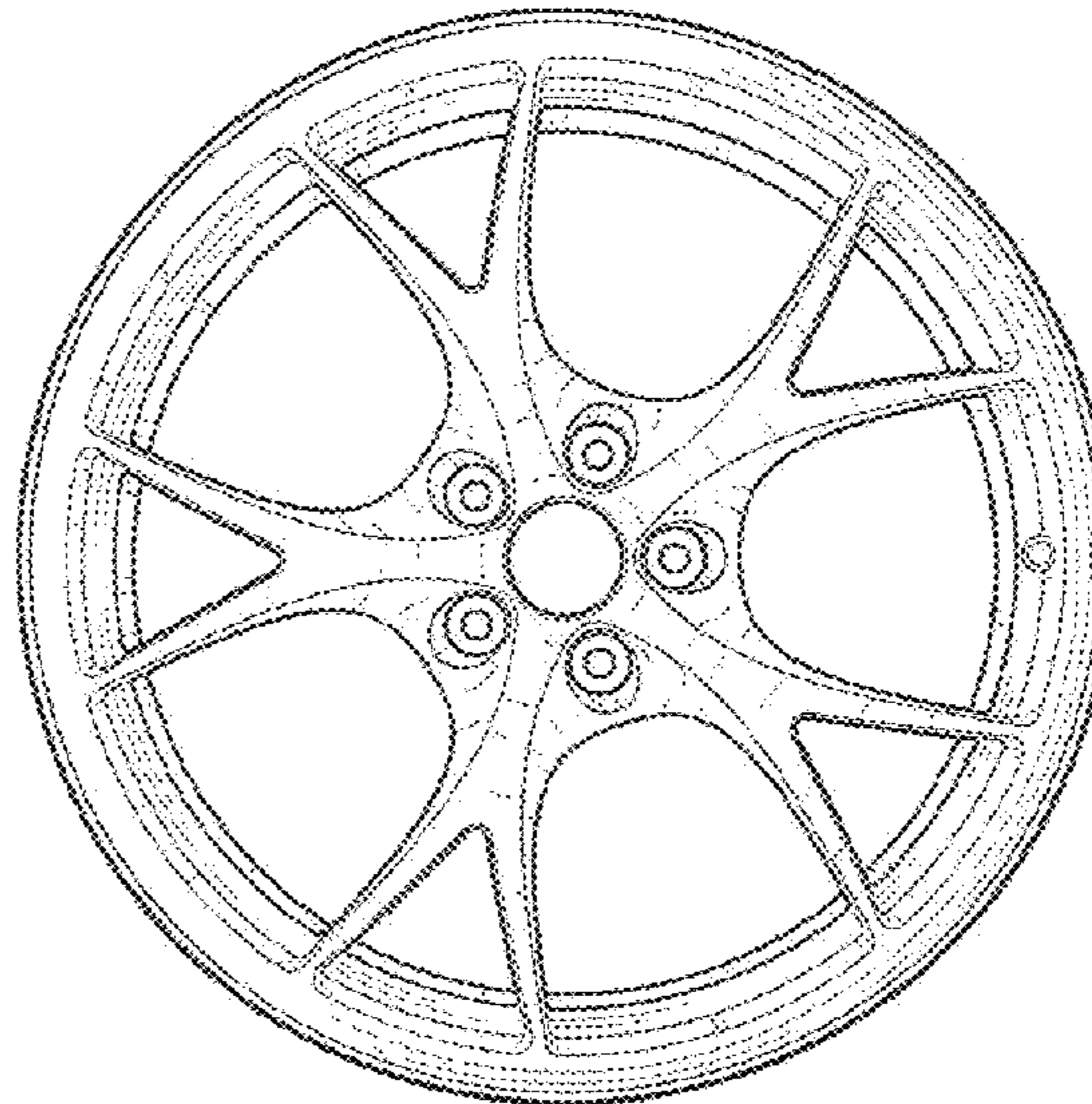
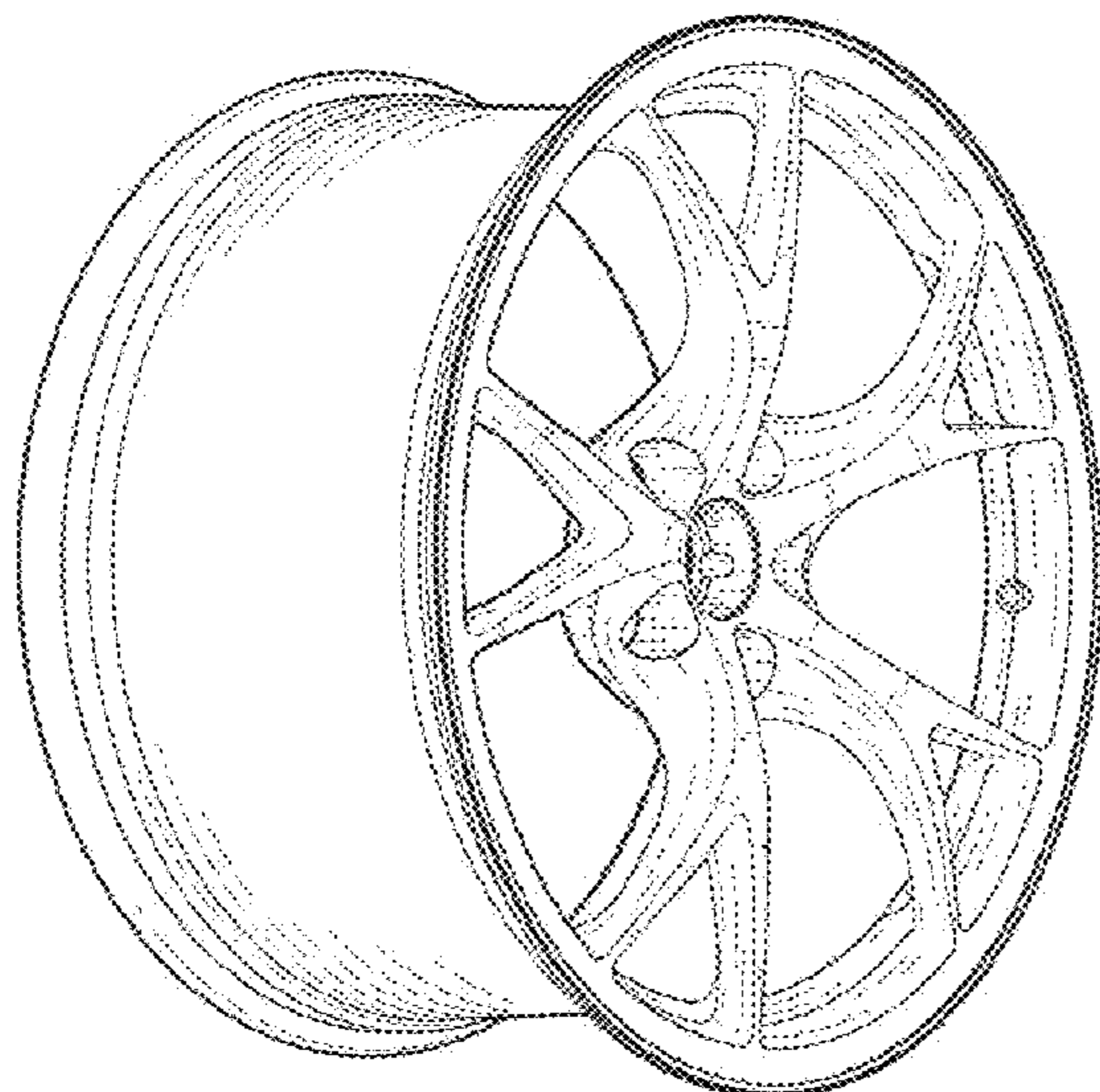
FIG. 4 is a left side view thereof;

FIG. 5 is a top view thereof; and,

FIG. 6 is a bottom view thereof.

Rear portion of the wheel forms no part of the claimed design. Portions of the drawings shown in broken lines form no part of the claimed design.

**1 Claim, 6 Drawing Sheets**



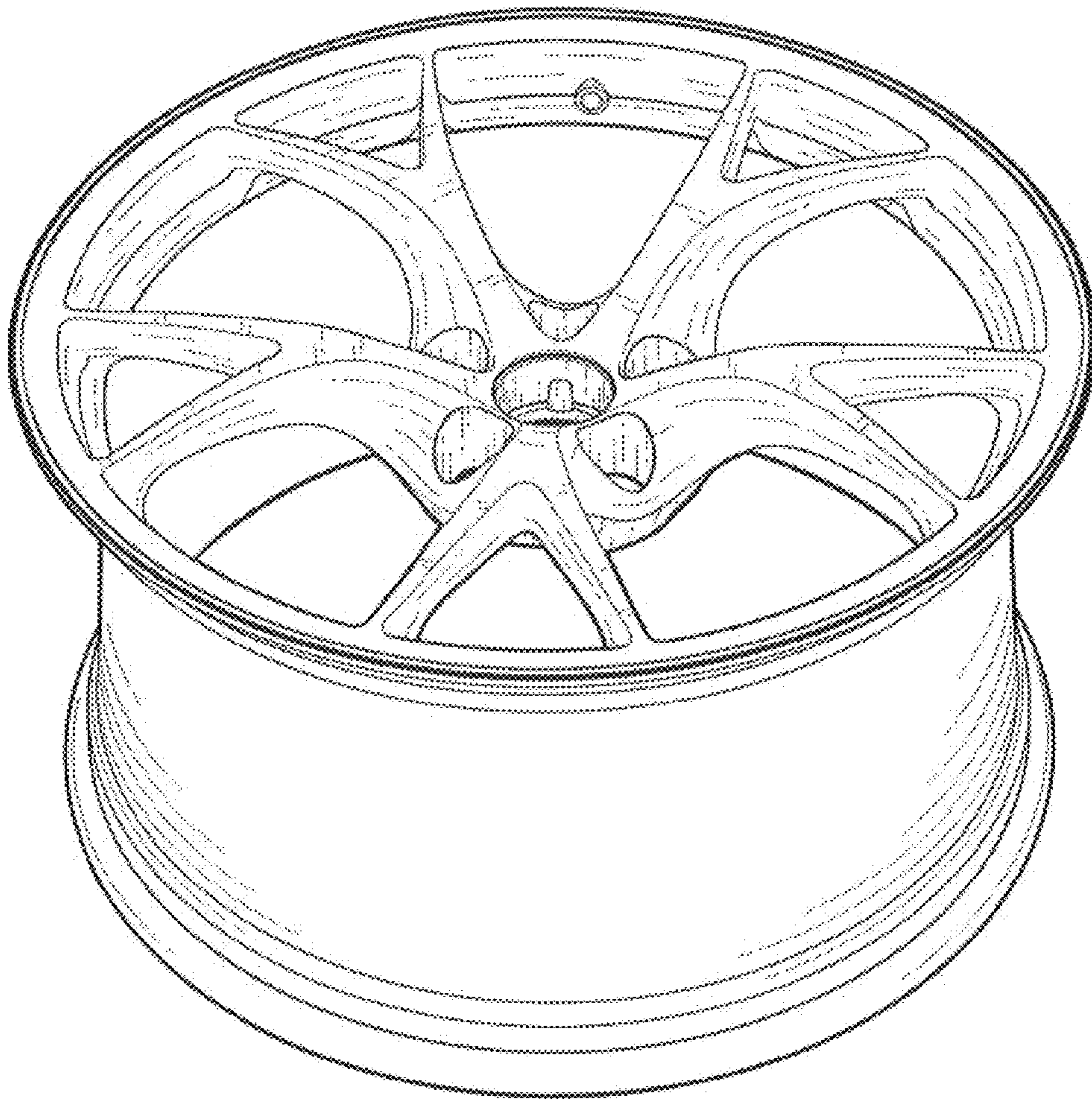


Fig. 1

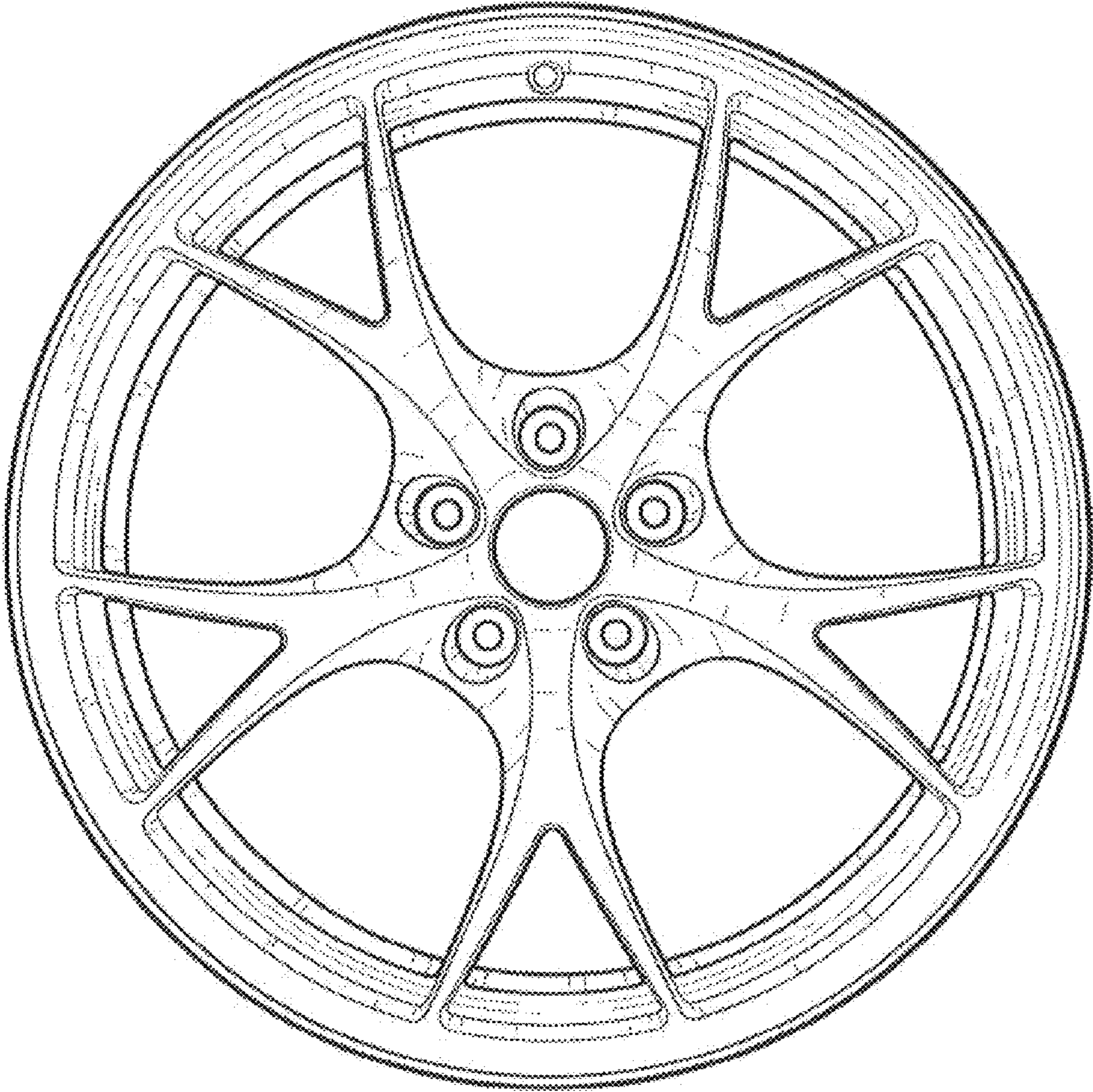


Fig. 2

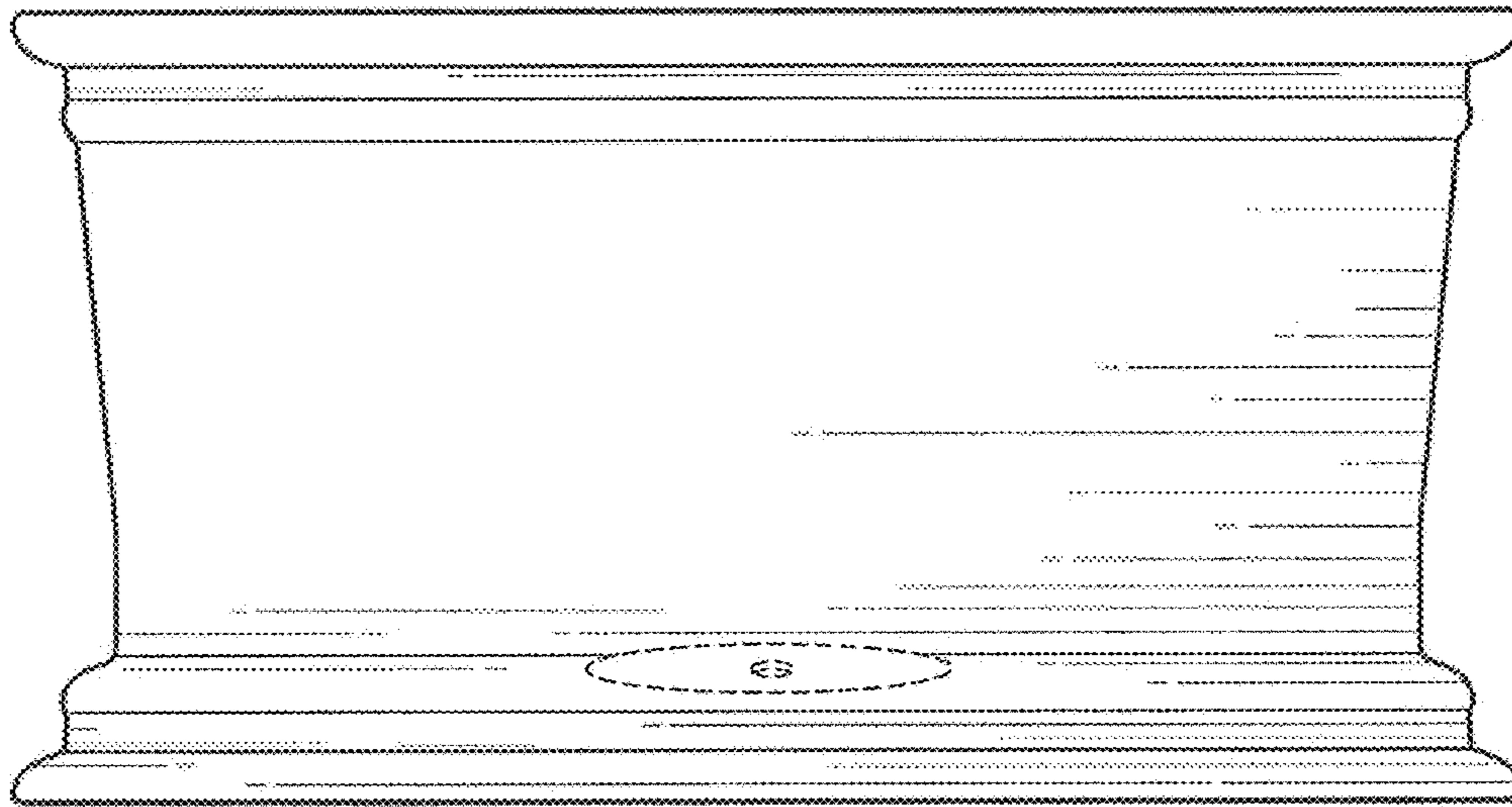


Fig. 3

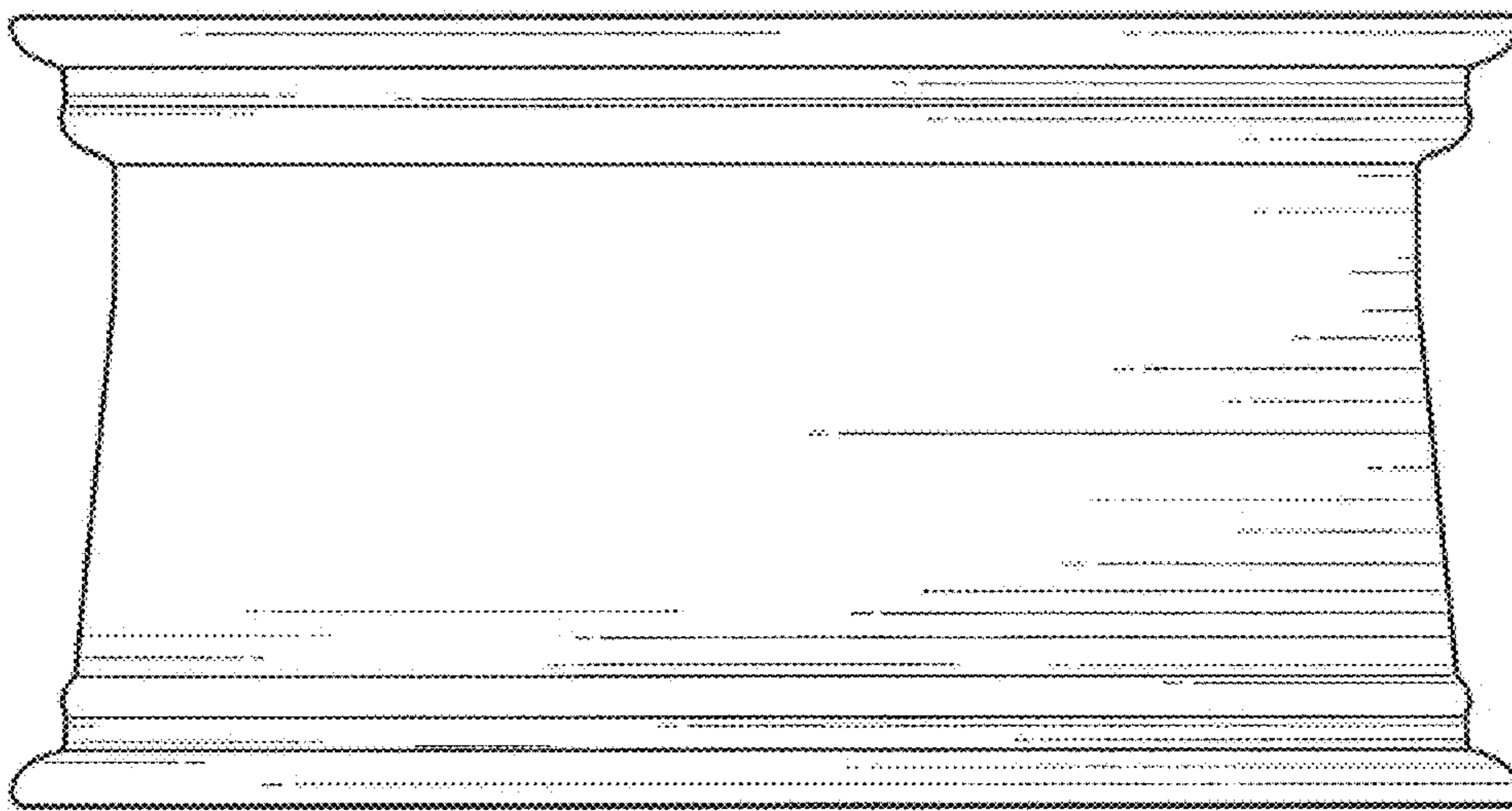


Fig. 4

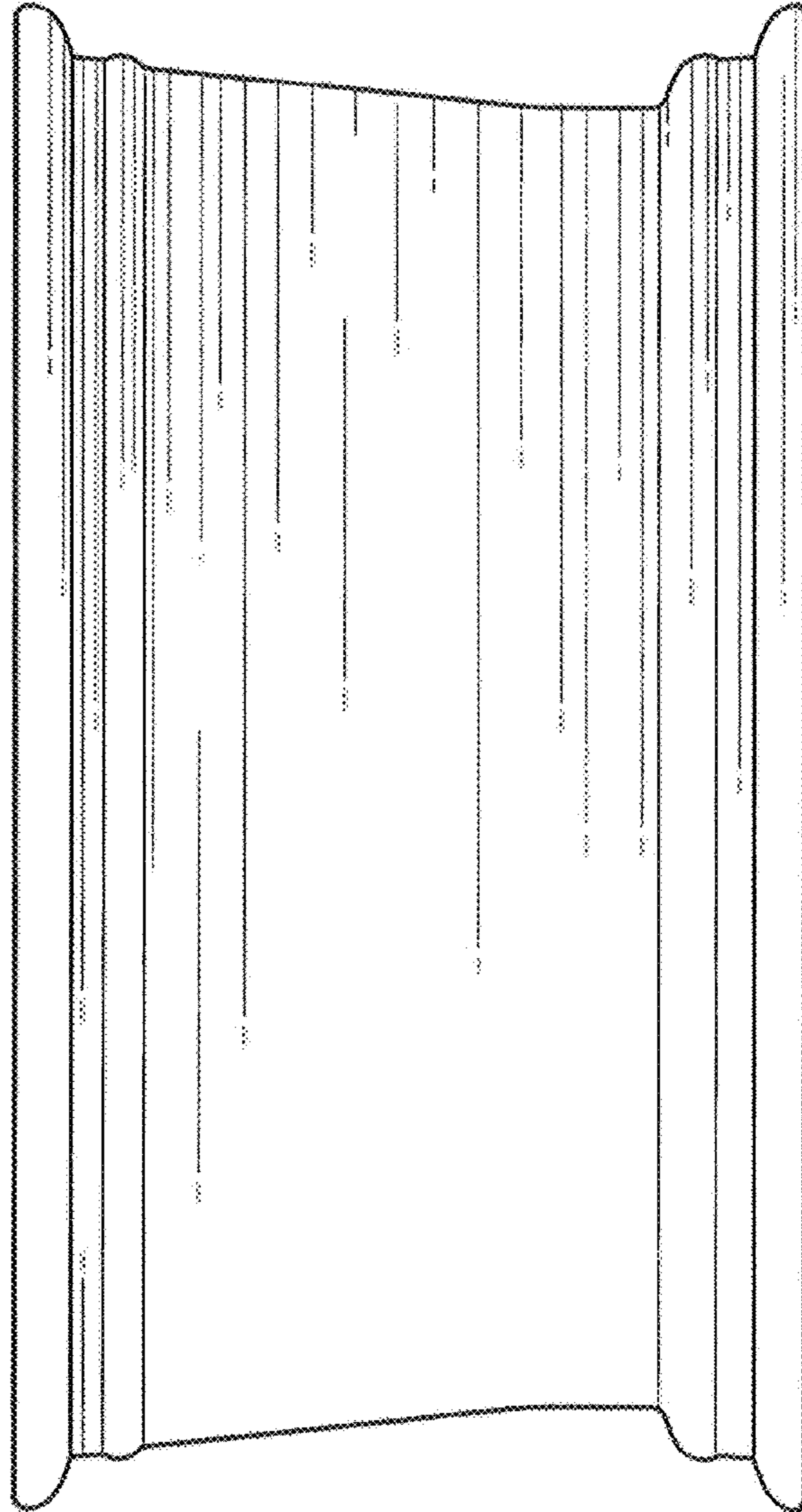


Fig. 5

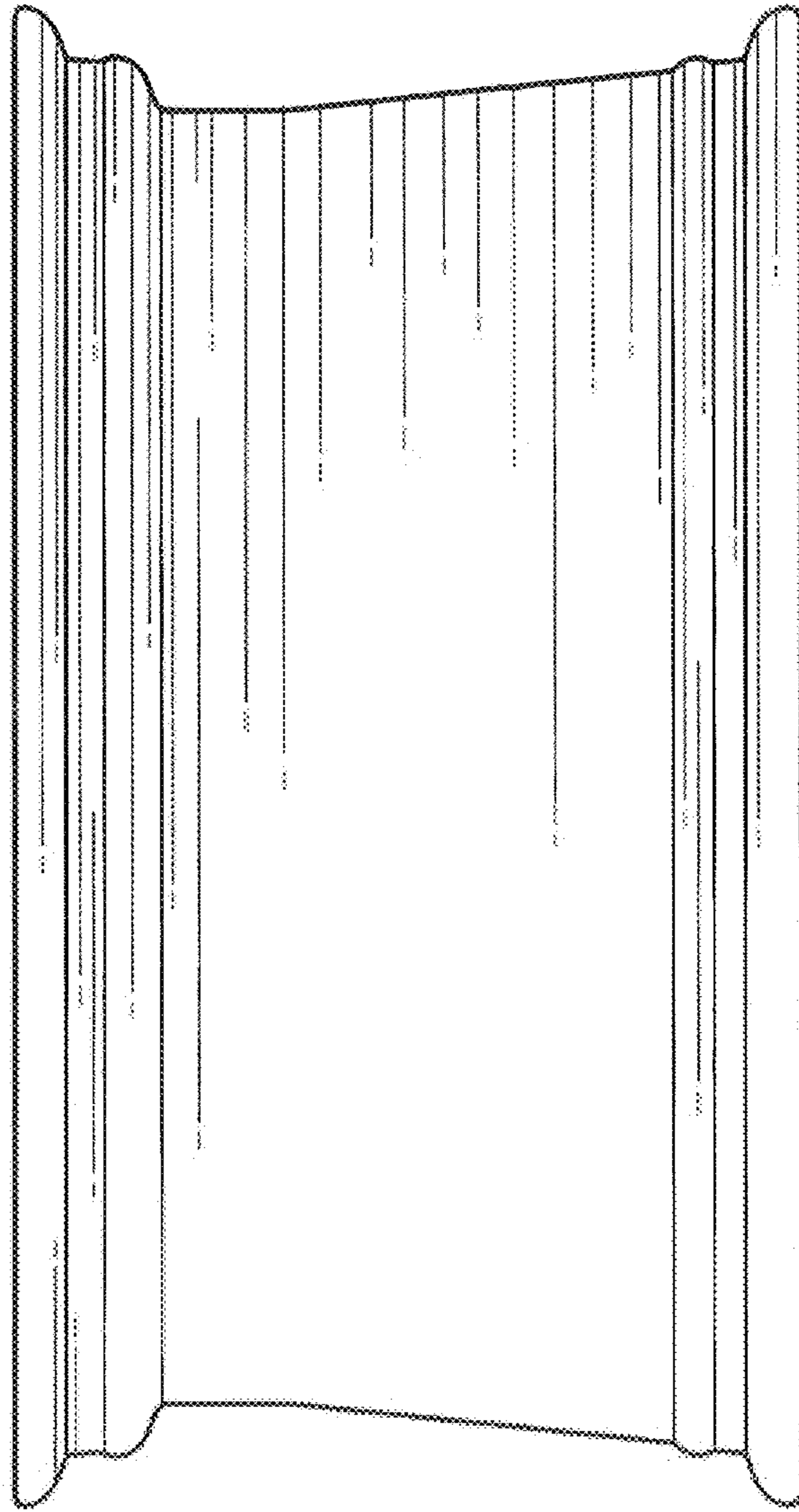


Fig. 6