



US00D784889S

(12) **United States Design Patent**
Peat

(10) **Patent No.:** **US D784,889 S**

(45) **Date of Patent:** **** Apr. 25, 2017**

(54) **WHEEL**

(71) Applicant: **Jaguar Land Rover Limited**, Whitley,
Coventry (GB)

(72) Inventor: **Anthony Peat**, Coventry (GB)

(73) Assignee: **Jaguar Land Rover Limited**, Whitley,
Coventry (GB)

(**) Term: **14 Years**

(21) Appl. No.: **29/522,049**

(22) Filed: **Mar. 27, 2015**

(30) **Foreign Application Priority Data**

Sep. 29, 2014 (EM) 002547414

(51) **LOC (10) Cl.** **12-16**

(52) **U.S. Cl.**
USPC **D12/209**

(58) **Field of Classification Search**
USPC D12/204-213
CPC B60B 7/00; B60B 7/02; B60B 7/04; B60B
7/01; B60B 7/06; B60B 3/02; B60B 3/04;
B60B 3/06; B60B 3/10; B60B 1/00;
B60B 1/08; B60B 1/10; B60B 1/12
See application file for complete search history.

(56) **References Cited**

U.S. PATENT DOCUMENTS

D451,877 S	*	12/2001	Lee	D12/211
D460,942 S	*	7/2002	Lee	D12/211
D470,094 S	*	2/2003	van Hooydonk	D12/211
D480,036 S	*	9/2003	Laengerer	D12/211
D483,714 S	*	12/2003	Warming	D12/211
D503,919 S	*	4/2005	Cahyono	D12/211
D506,172 S	*	6/2005	Pfeiffer	D12/211

D516,988 S	*	3/2006	Laengerer	D12/211
D528,495 S	*	9/2006	Truebsbach	D12/211
D542,209 S	*	5/2007	Pfeiffer	D12/211
D597,014 S	*	7/2009	Nissl	D12/211
D604,685 S	*	11/2009	Zhou	D12/211
D608,710 S	*	1/2010	Nissl	D12/209
D614,112 S	*	4/2010	Tant	D12/211
D621,771 S	*	8/2010	Truebsbach	D12/211
D635,907 S	*	4/2011	Futschik	D12/211
D654,007 S	*	2/2012	Nissl	D12/211
D660,771 S	*	5/2012	Mueller-Stolz	D12/211
D663,672 S	*	7/2012	Platto	D12/211
D669,410 S	*	10/2012	Fetherston	D12/211
D684,914 S	*	6/2013	Gotschke	D12/209
D698,720 S	*	2/2014	Farh-Becker	D12/211
D704,617 S	*	5/2014	Chung	D12/211
D706,197 S	*	6/2014	Chung	D12/211
D713,316 S	*	9/2014	Song	D12/211
D717,709 S	*	11/2014	Valencia Pollex	D12/209
D724,516 S	*	3/2015	Di Buduo	D12/211

* cited by examiner

Primary Examiner — Stacia Cadmus

(74) *Attorney, Agent, or Firm* — Wood Herron & Evans
LLP

(57) **CLAIM**

The ornamental design for a wheel, as shown and described.

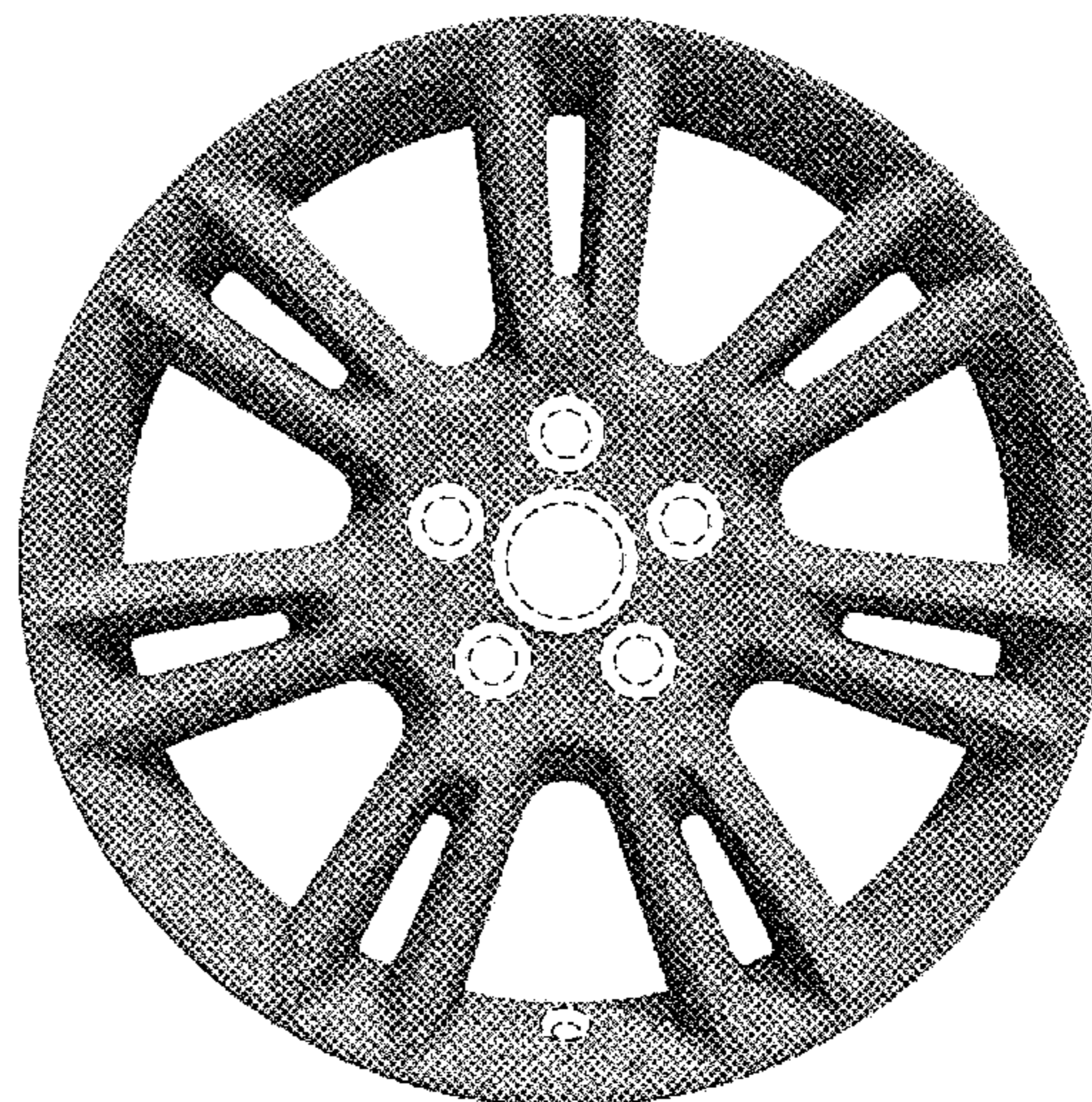
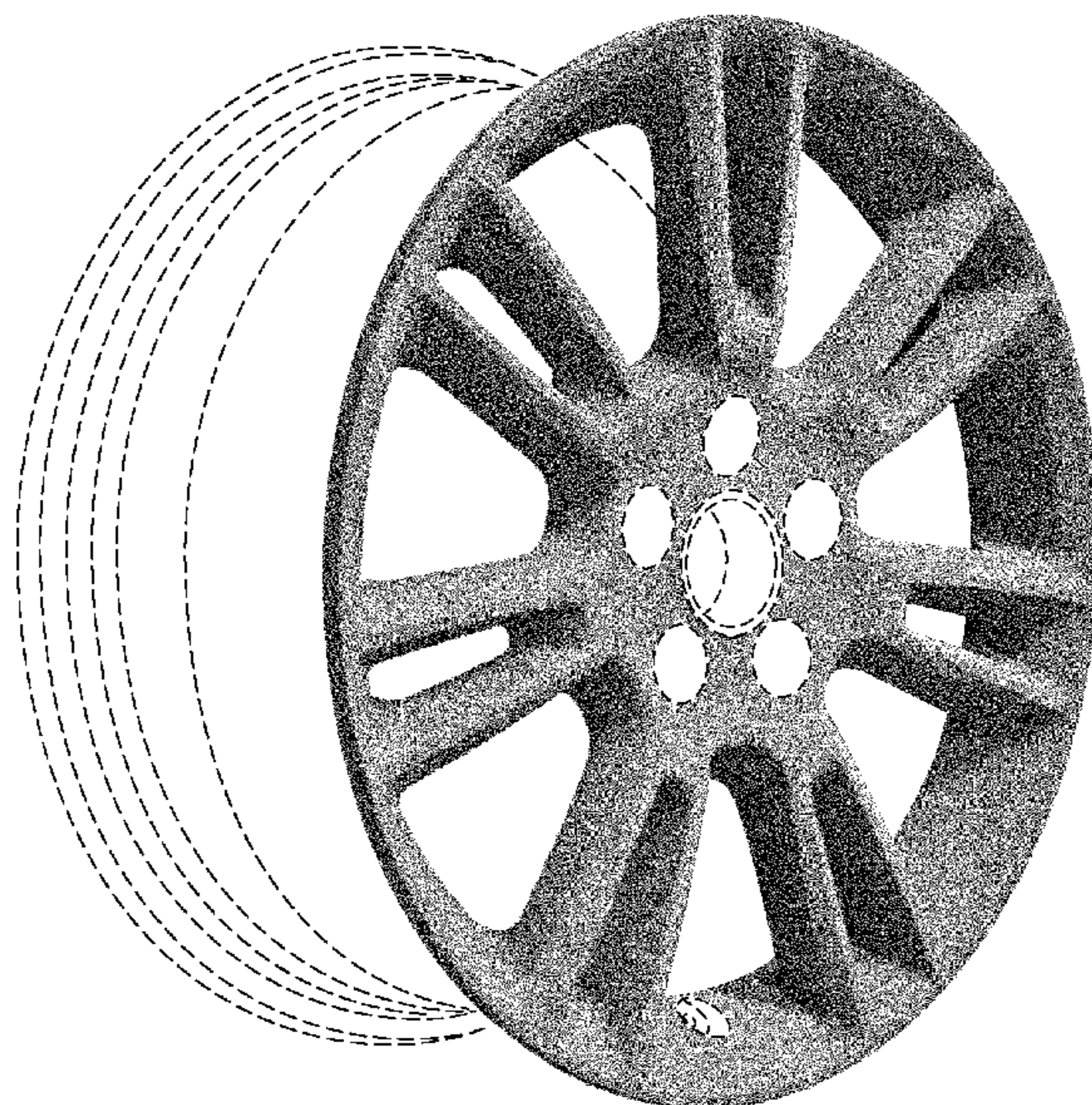
DESCRIPTION

FIG. 1 is a left front perspective view of a wheel according to the invention.

FIG. 2 is a front view of the wheel shown in FIG. 1; and, FIG. 3 is a right side view of the wheel shown in FIG. 1, the left side view being a mirror image thereof.

The broken line showing of the rim of the wheel, the valve stem hole, the bolt holes and the center hole is included for the purpose of illustrating environment and forms no part of the claimed invention.

1 Claim, 2 Drawing Sheets



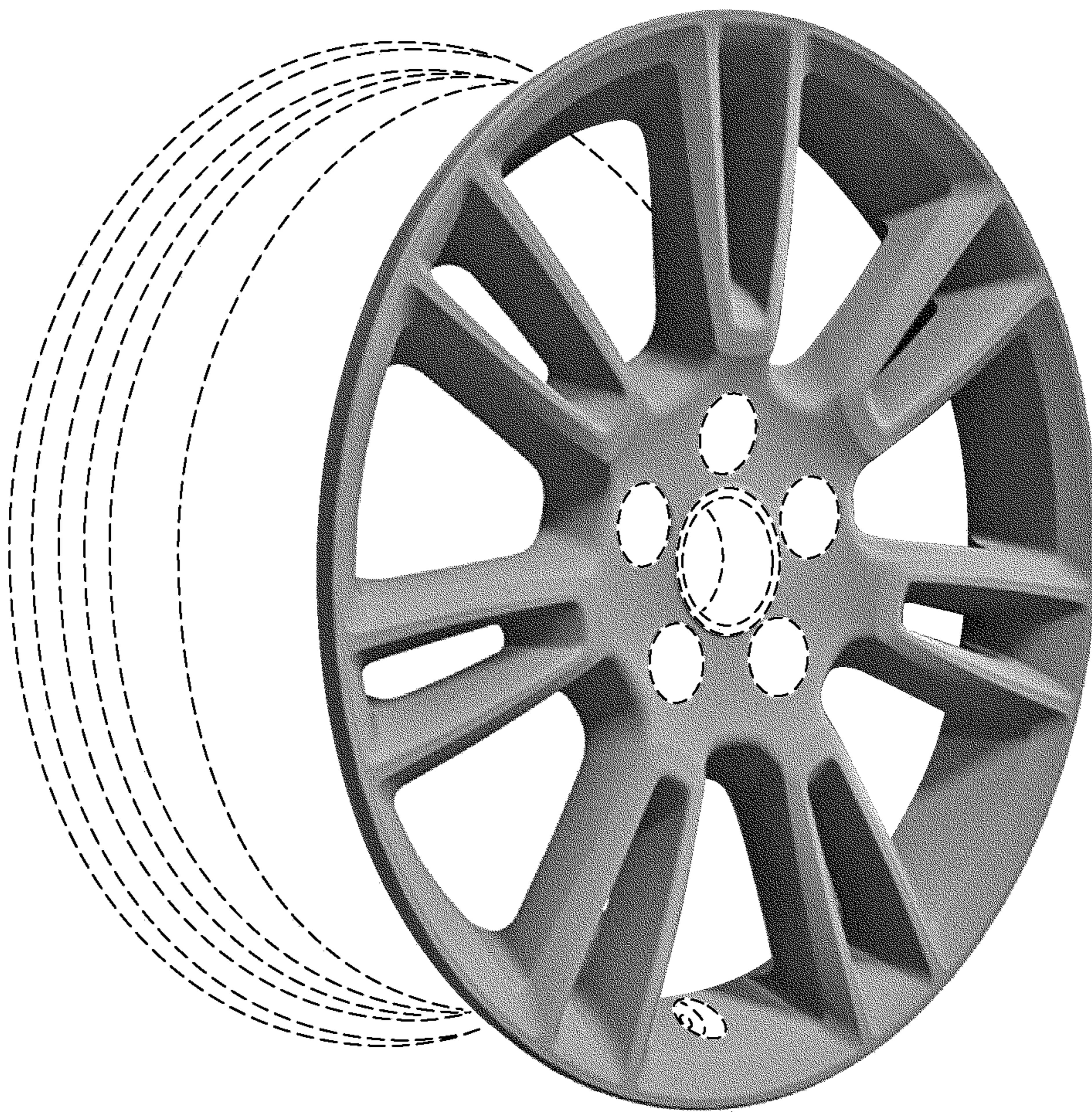


FIG. 1

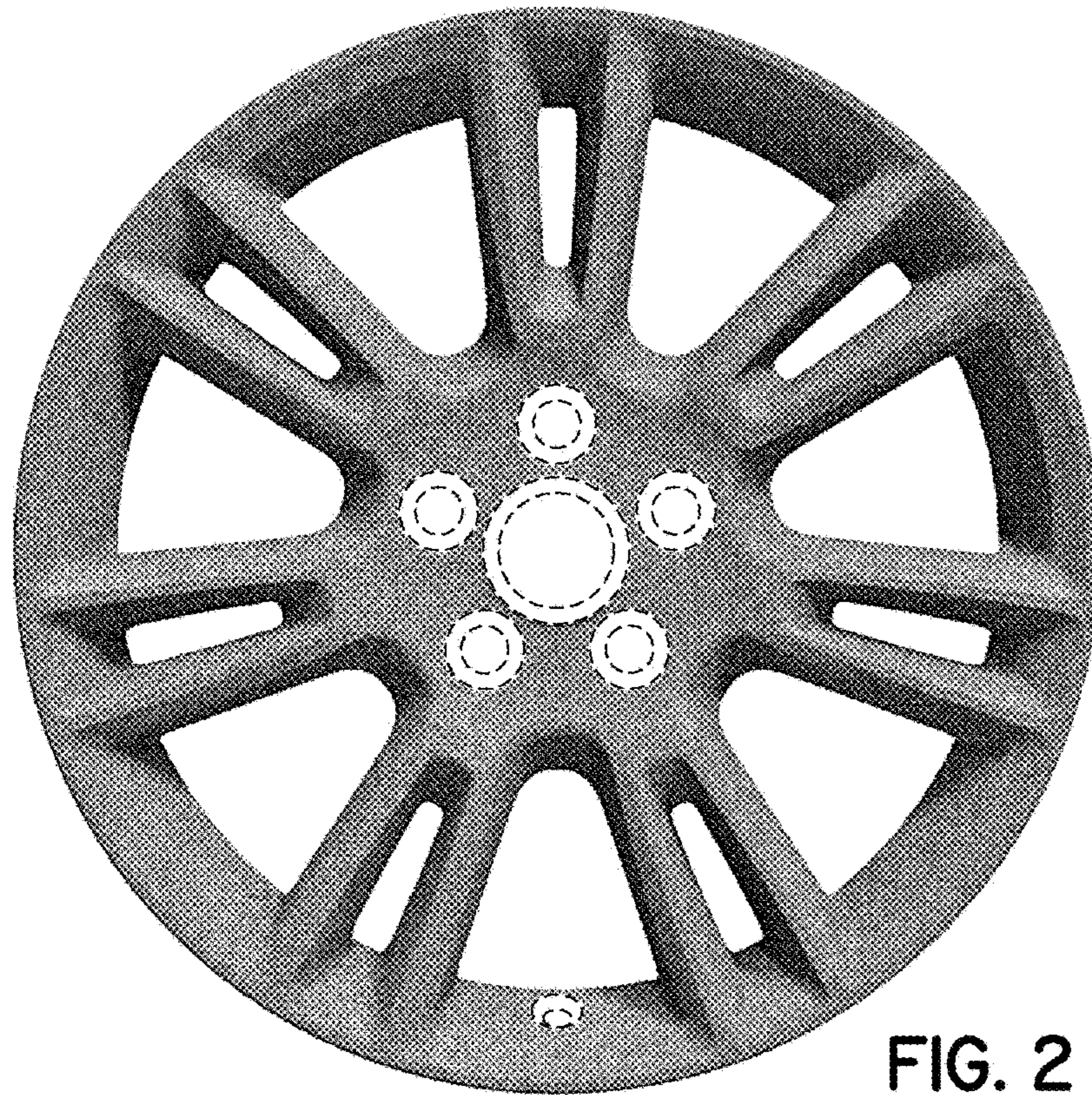


FIG. 2

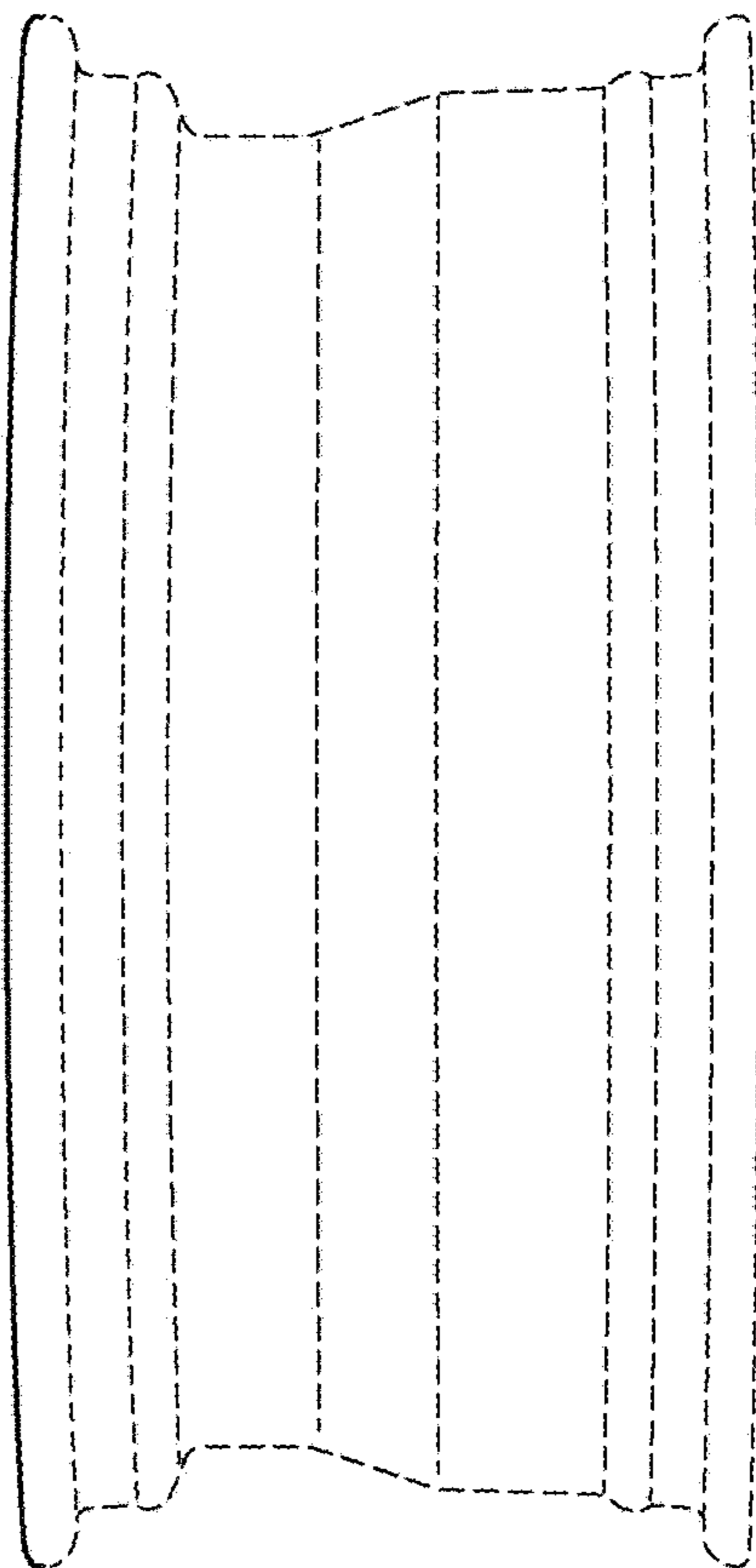


FIG. 3