



US00D784888S

(12) **United States Design Patent**
Lim et al.

(10) **Patent No.:** **US D784,888 S**

(45) **Date of Patent:** **** Apr. 25, 2017**

(54) **REAR DOOR PANEL FOR AN AUTOMOBILE**

(71) Applicant: **Hyundai Motor Company**, Seoul (KR)

(72) Inventors: **Hwa Su Lim**, Gyeonggi-do (KR);
Seung Jin Kim, Gyeonggi-do (KR)

(73) Assignee: **Hyundai Motor Company**, Seoul (KR)

(**) Term: **15 Years**

(21) Appl. No.: **29/561,814**

(22) Filed: **Apr. 20, 2016**

(30) **Foreign Application Priority Data**

Oct. 21, 2015 (KR) 30-2015-0052888

(51) **LOC (10) Cl.** **12-16**

(52) **U.S. Cl.**
USPC **D12/196**

(58) **Field of Classification Search**

USPC D12/190, 192, 196, 83, 181, 163, 164,
D12/169, 167, 171, 216, 86, 90, 91, 92

CPC B62D 24/00; B62D 24/02; B62D 25/02;
B62D 25/18; B62D 25/08; B62D 35/00;
B60J 5/04; B60R 19/02; B60R 19/04

See application file for complete search history.

(56) **References Cited**

U.S. PATENT DOCUMENTS

D419,124 S * 1/2000 Sacco D12/196
D653,187 S * 1/2012 Tomatsu D12/196

D655,656 S * 3/2012 Kubo D12/196
D660,759 S * 5/2012 Matsumoto D12/196
D671,471 S * 11/2012 Yamada D12/196
D676,366 S * 2/2013 Yamada D12/196
D686,553 S * 7/2013 Kwon D12/196
D695,664 S * 12/2013 Suga D12/196
D699,657 S * 2/2014 Jevremovic D12/196
D763,156 S * 8/2016 Jo D12/196
9,427,791 B2 * 8/2016 Okunaka B21D 19/12

* cited by examiner

Primary Examiner — Daniel Bui

Assistant Examiner — Andrew Kerr

(74) *Attorney, Agent, or Firm* — Mintz Levin Cohn Ferris
Glovsky and Popeo, P.C.; Kongsik Kim

(57) **CLAIM**

The ornamental design for a rear door panel for an automobile, as shown and described.

DESCRIPTION

FIG. 1 is a perspective view of a rear door panel for an automobile according to the present invention.

FIG. 2 is a front view thereof;

FIG. 3 is a rear view thereof;

FIG. 4 is a left side view thereof;

FIG. 5 is a right side view thereof;

FIG. 6 is a top view thereof; and,

FIG. 7 is a bottom view thereof.

1 Claim, 7 Drawing Sheets

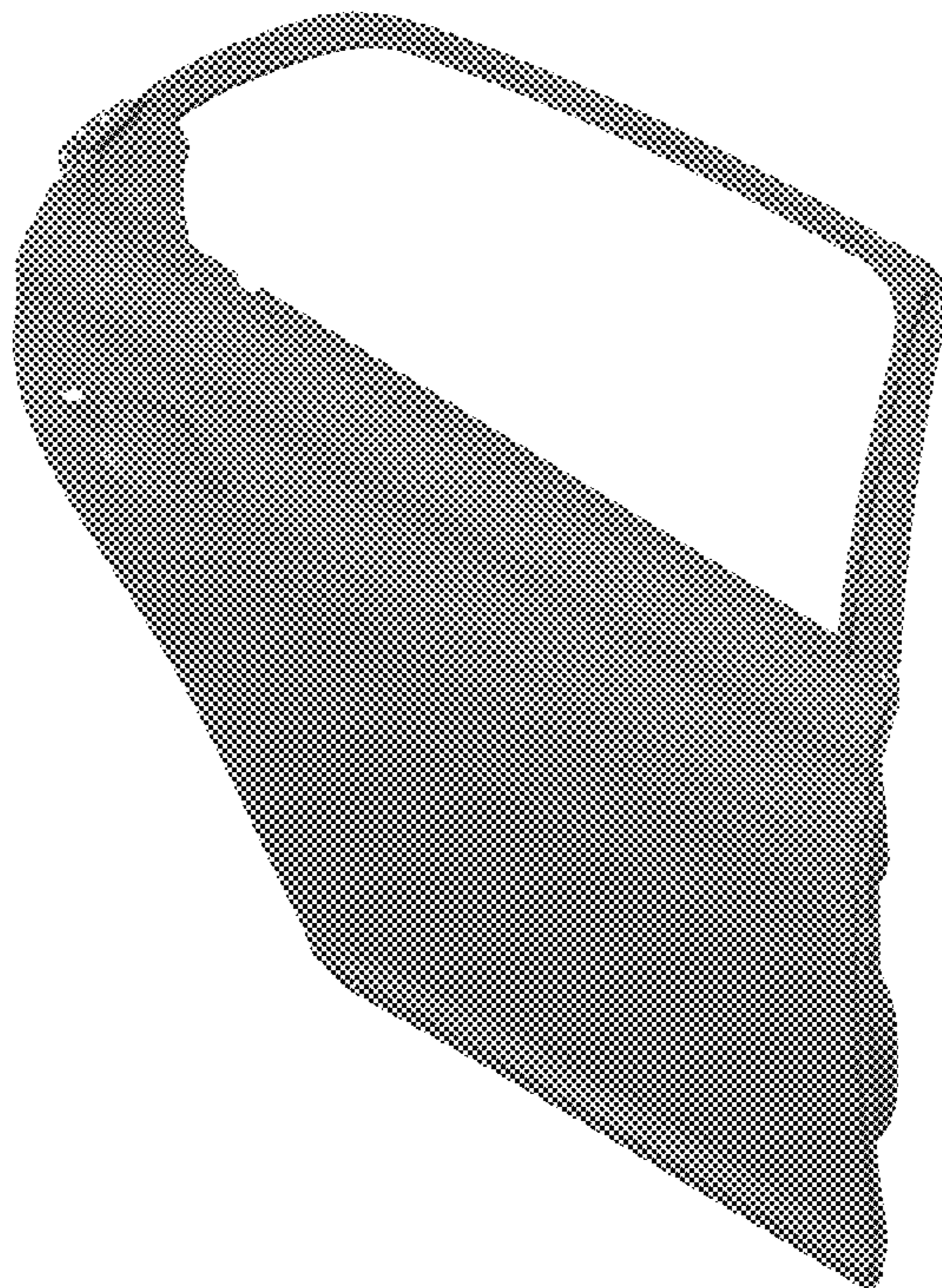


FIG. 1

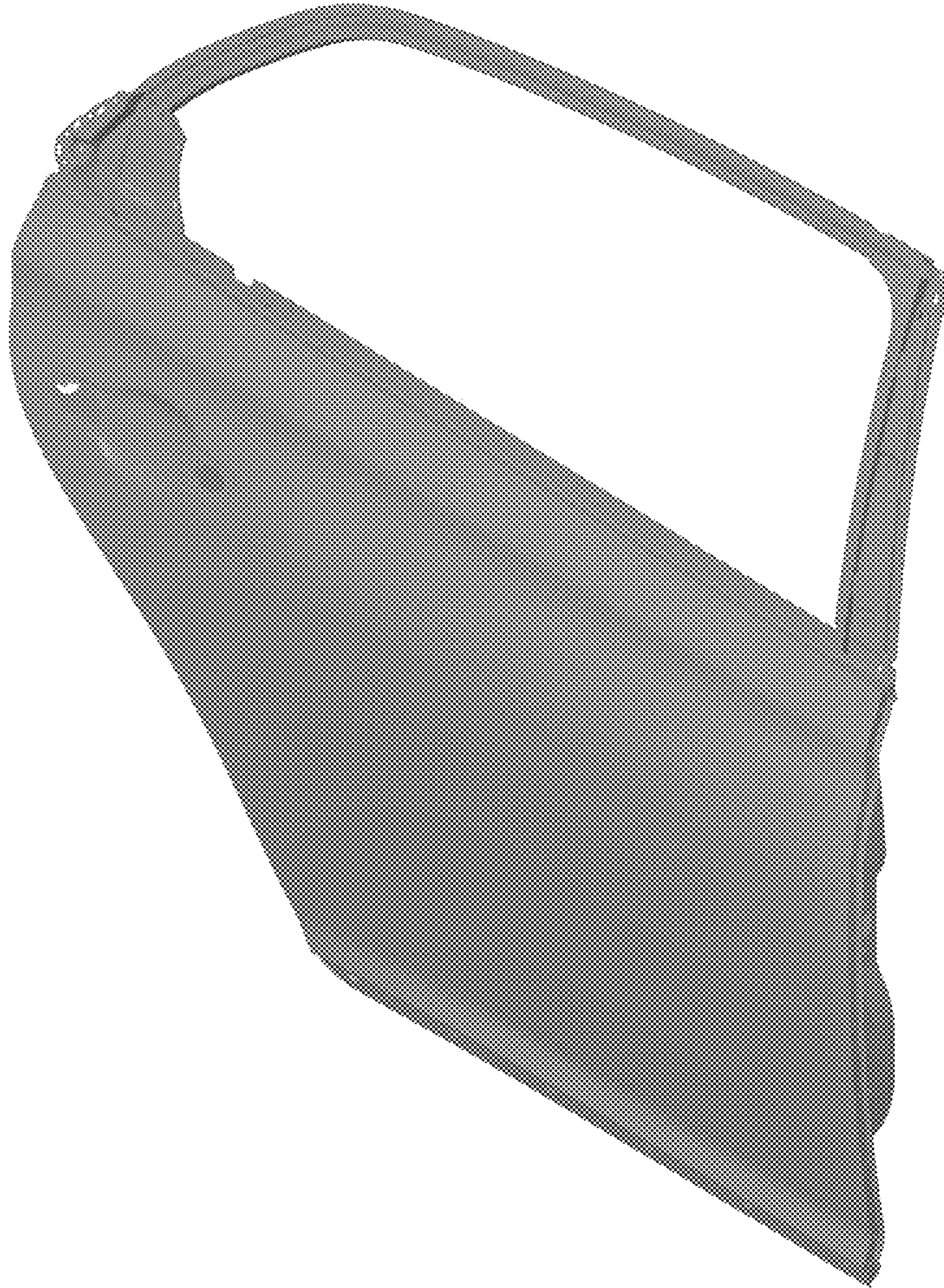


FIG. 2



FIG. 3

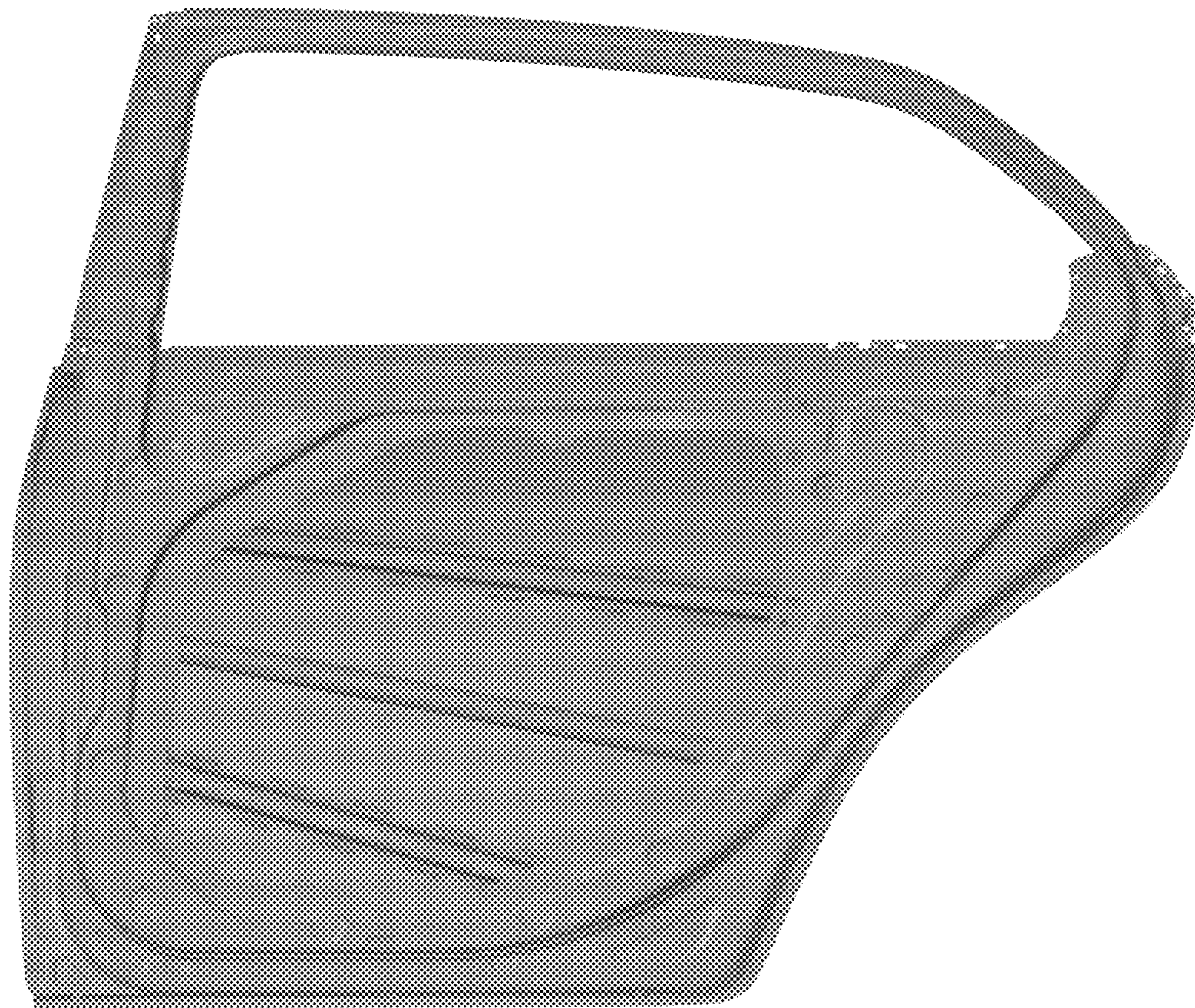


FIG. 4

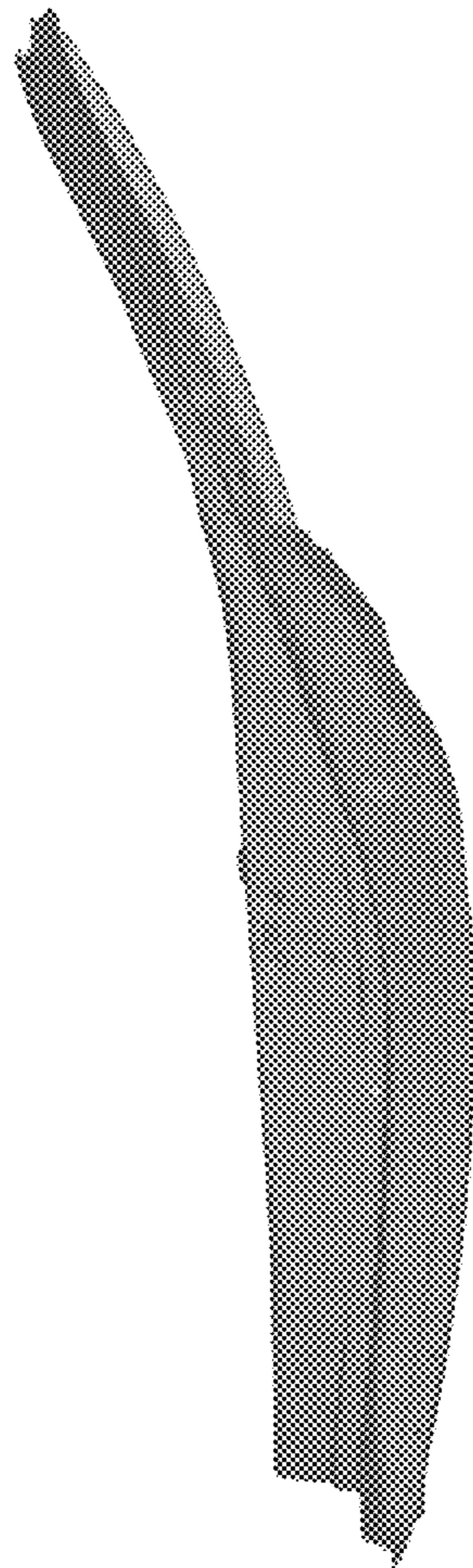


FIG. 5

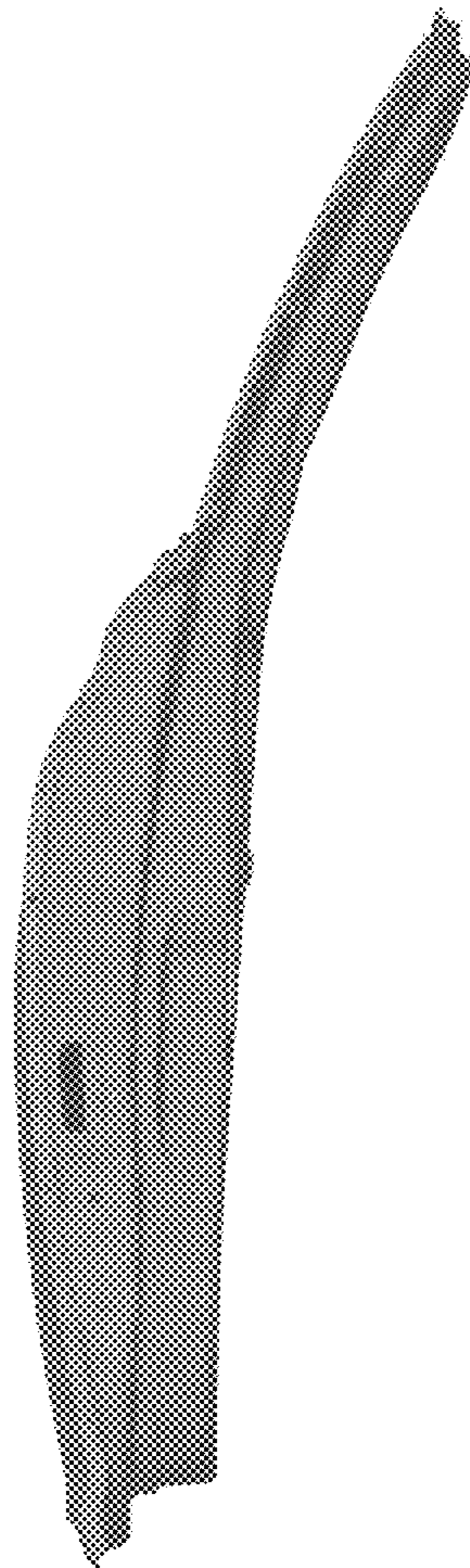


FIG. 6

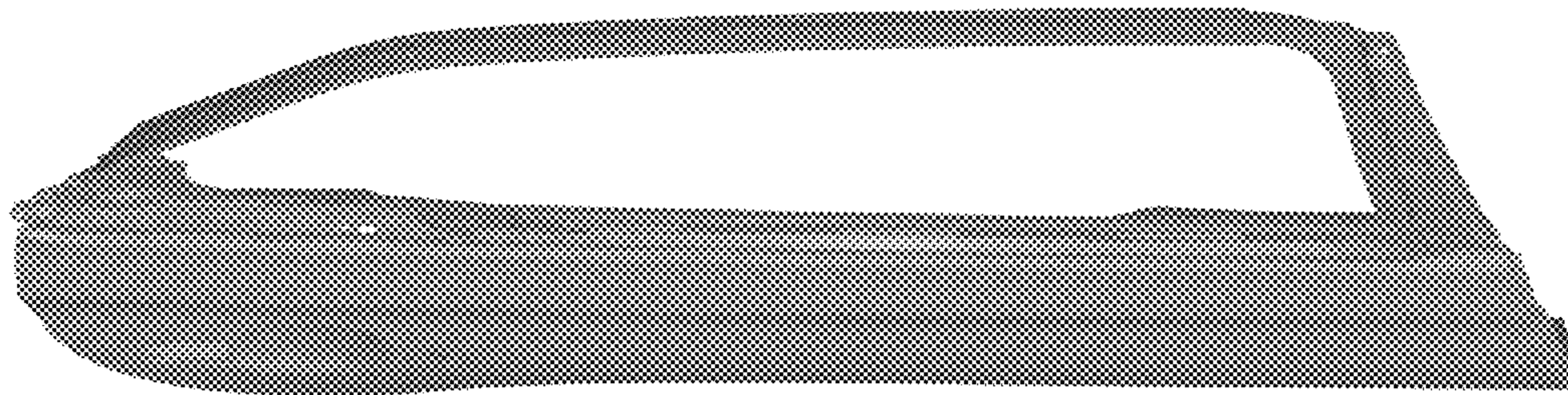


FIG. 7

