



US00D784882S

(12) **United States Design Patent**  
**Lee et al.**

(10) **Patent No.:** **US D784,882 S**  
(45) **Date of Patent:** **\*\* Apr. 25, 2017**

- (54) **AUTOMOBILE DOOR**
- (71) Applicant: **Bentley Motors Limited**, Cheshire (GB)
- (72) Inventors: **Sang Yup Lee**, Chester (GB); **Luc Donckerwolke**, Cheshire (GB)
- (73) Assignee: **Bentley Motors Limited**, Cheshire (GB)
- (\*\*) Term: **15 Years**
- (21) Appl. No.: **29/556,525**
- (22) Filed: **Mar. 1, 2016**
- (51) **LOC (10) Cl.** ..... **12-08**
- (52) **U.S. Cl.**  
USPC ..... **D12/195**
- (58) **Field of Classification Search**  
USPC ..... D12/195, 193, 414, 190, 196; D15/17, D15/28; D10/46, 98, 102-103, 302-303  
CPC ..... B60J 5/04; B60N 2/466; B60N 2/4693; B60R 13/0243; B60R 12/02  
See application file for complete search history.

- D726,082 S \* 4/2015 Finney ..... D12/195
- D743,312 S \* 11/2015 Iwauchi ..... D12/195
- D743,863 S \* 11/2015 Finney ..... D12/195
- D761,176 S \* 7/2016 Sandys ..... D12/195
- D763,757 S \* 8/2016 Buffery ..... D12/195
- D766,792 S \* 9/2016 Shimizu ..... D12/195
- D768,042 S \* 10/2016 Lee ..... D12/195

\* cited by examiner

*Primary Examiner* — Katrina A Betton  
(74) *Attorney, Agent, or Firm* — Tarolli, Sundheim, Covell & Tummino LLP; John A. Yirga, Esq.

(57) **CLAIM**

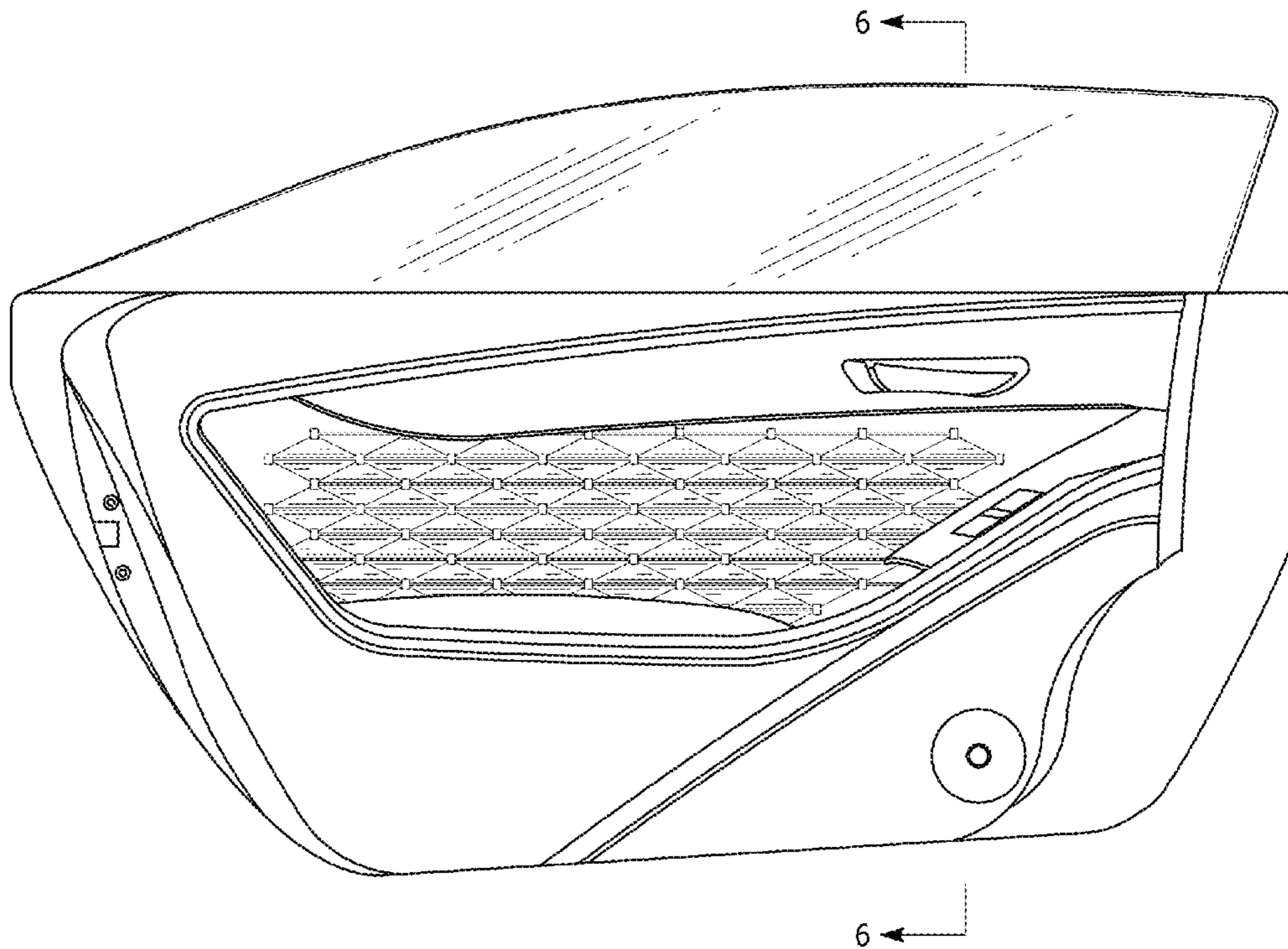
The ornamental design for an automobile door, as shown and described.

**DESCRIPTION**

FIG. 1 is a front perspective view of an automobile door in accordance with the present disclosure;  
FIG. 2 is a front elevation view thereof;  
FIG. 3 is a rear elevation view thereof;  
FIG. 4 is a left side elevation view thereof;  
FIG. 5 is a right side elevation view thereof;  
FIG. 6 is a side elevation view of FIG. 3 along section lines 6-6; and,  
FIG. 7 is a top plan view thereof.

**1 Claim, 5 Drawing Sheets**

- (56) **References Cited**  
U.S. PATENT DOCUMENTS  
D721,023 S \* 1/2015 Wiedeman ..... D12/195  
D722,933 S \* 2/2015 Ishikawa ..... D12/195



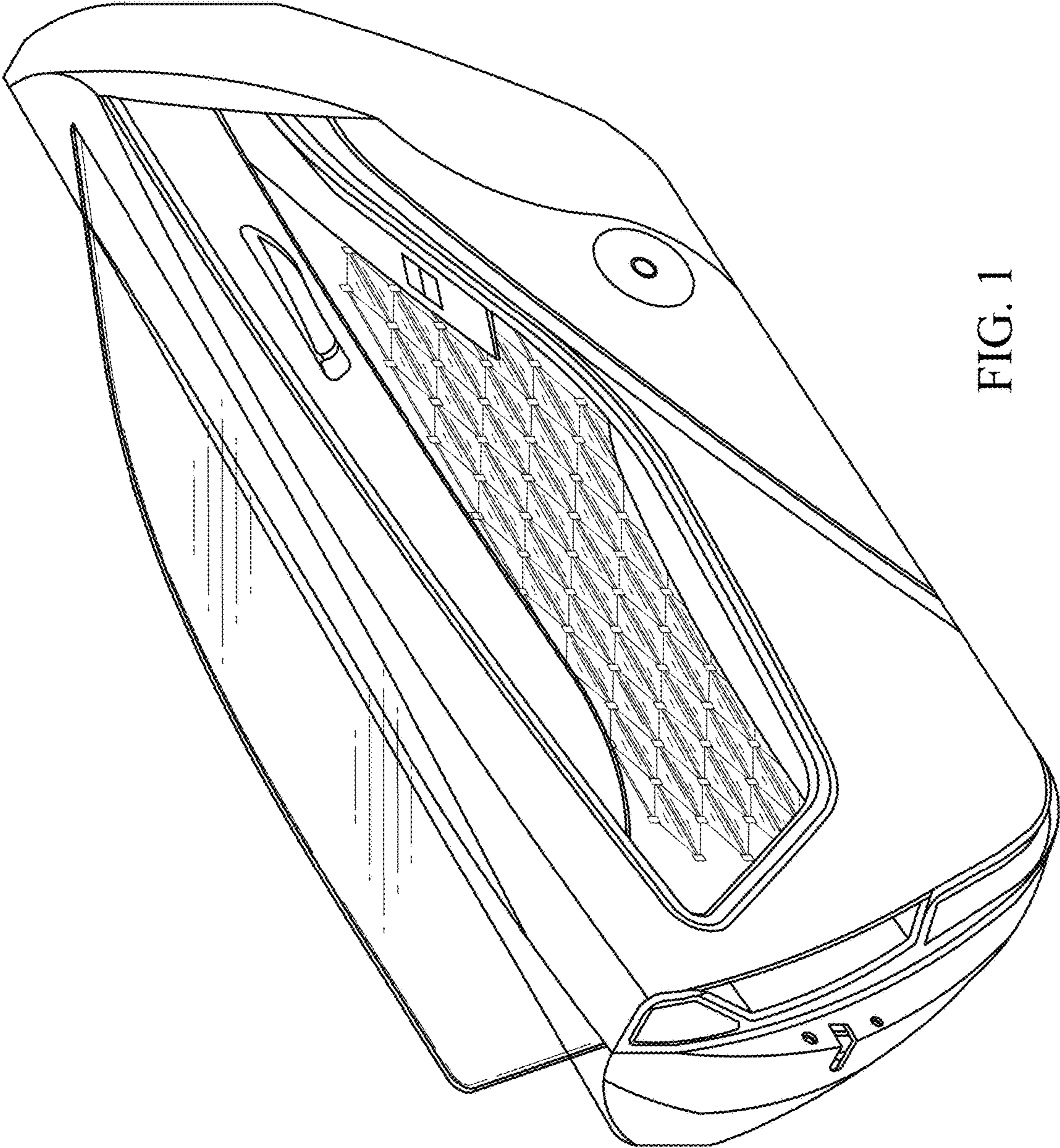


FIG. 1



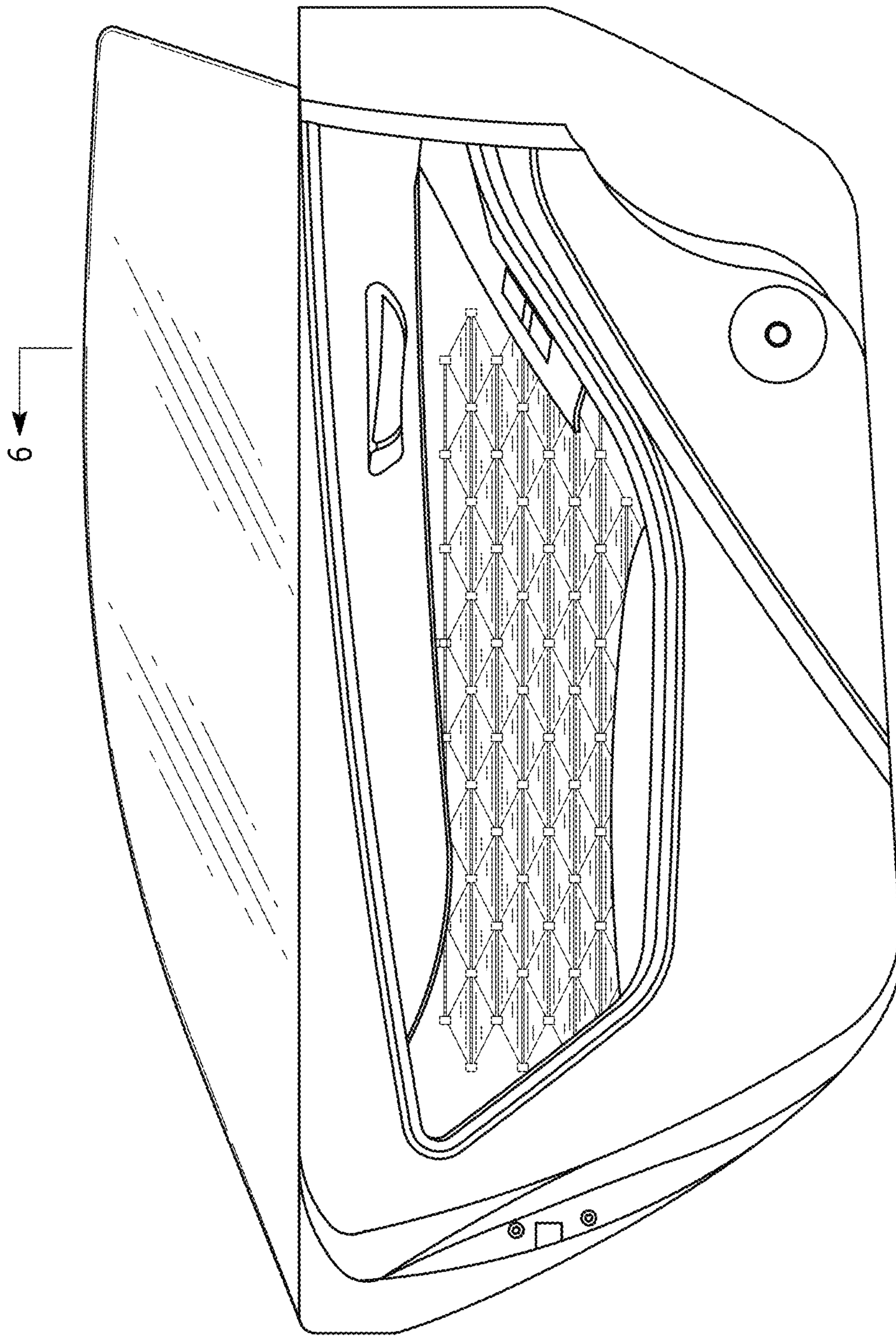


FIG. 2

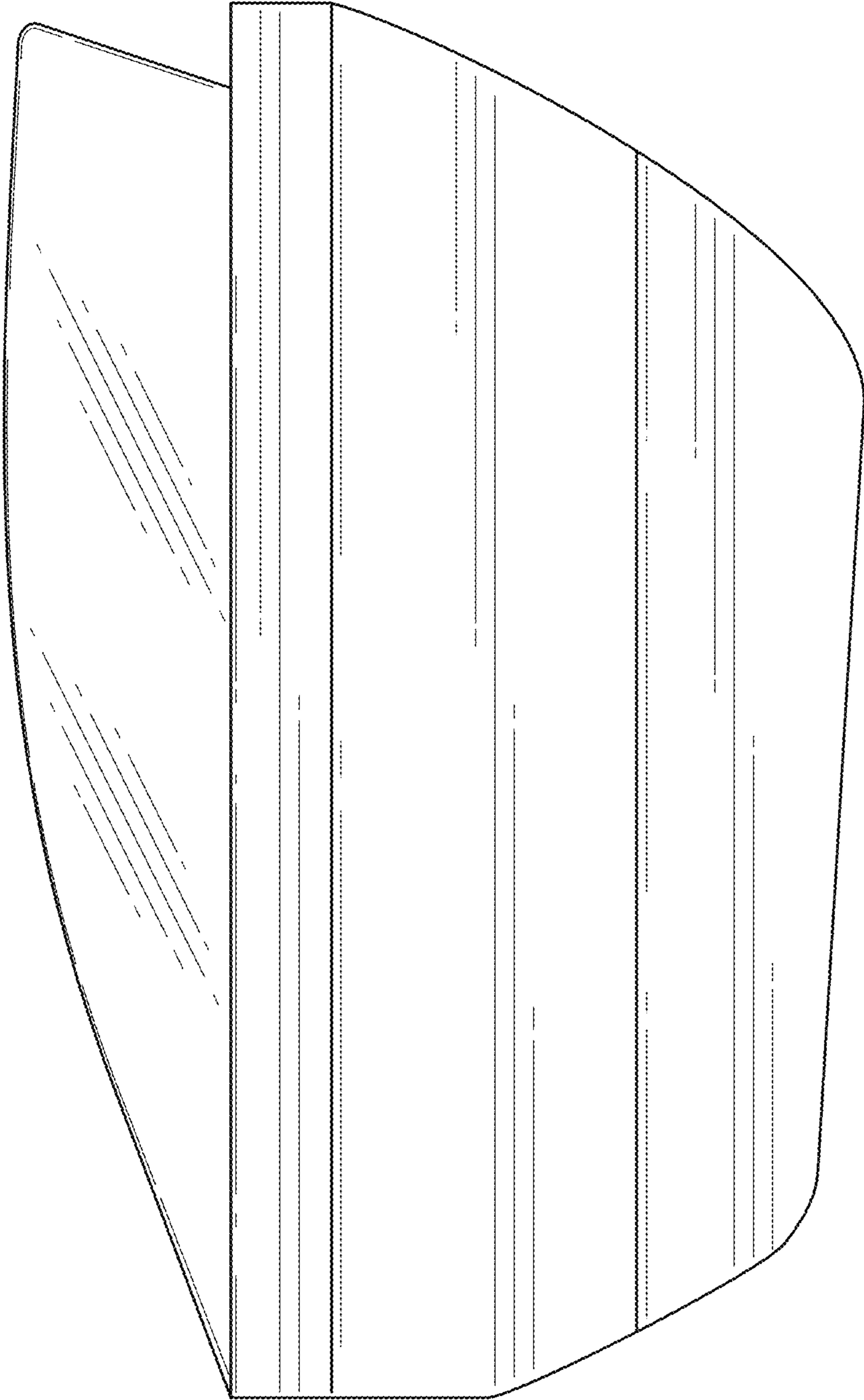


FIG. 3

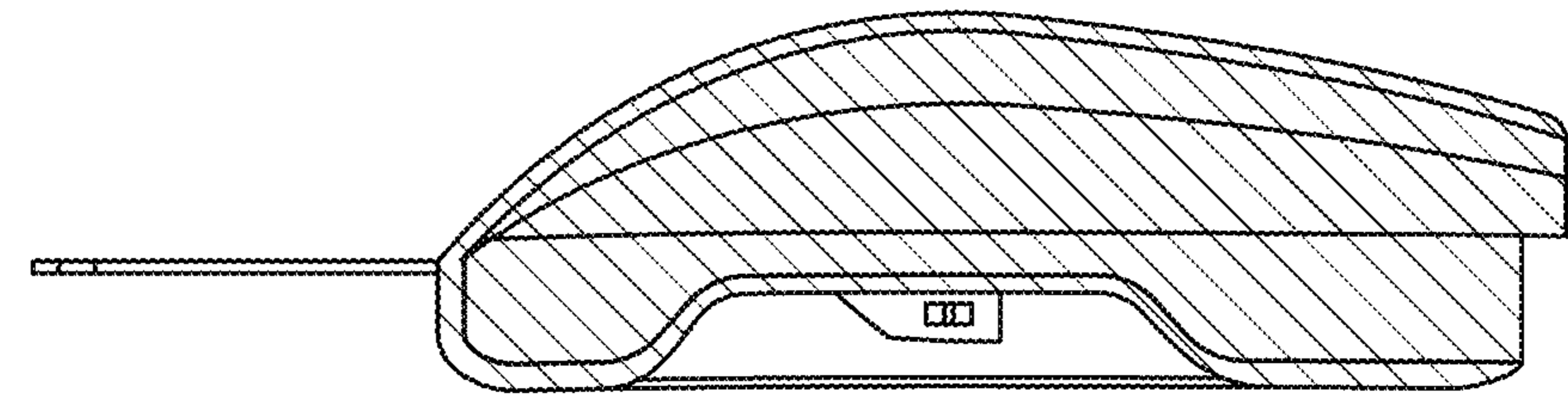


FIG. 6

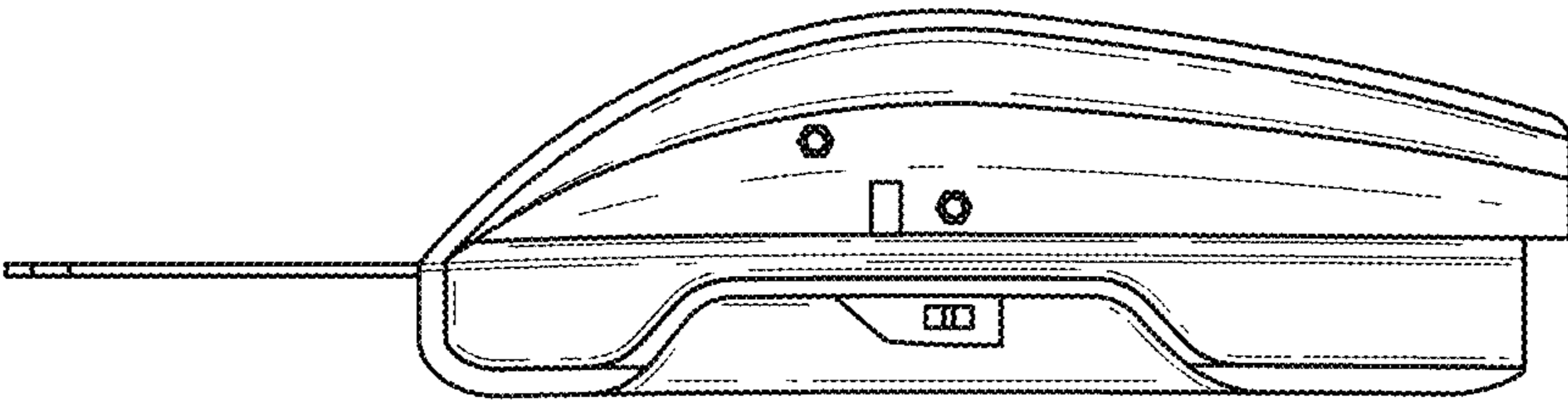


FIG. 5

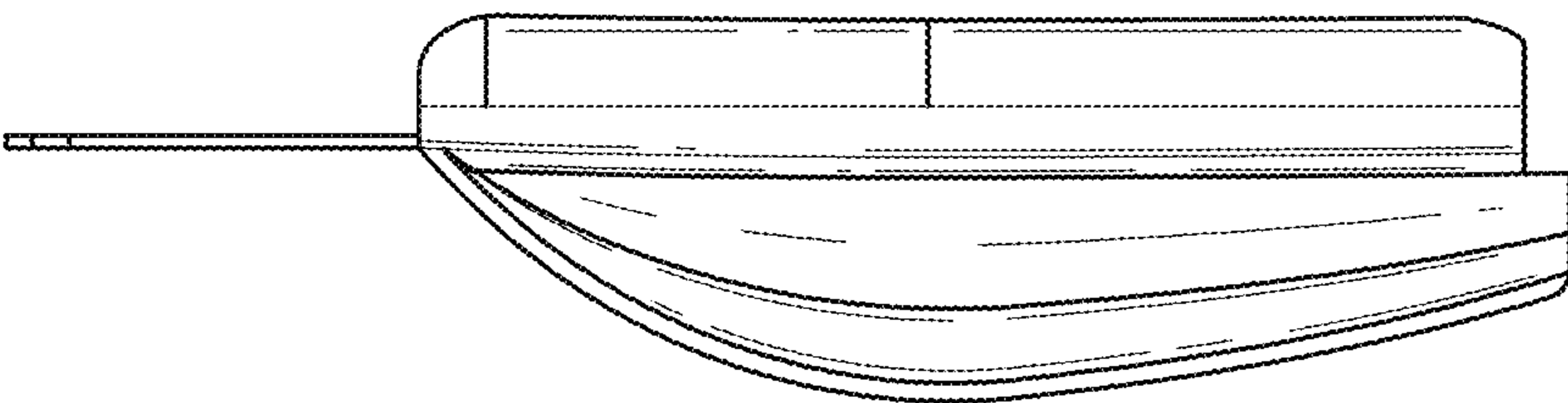


FIG. 4

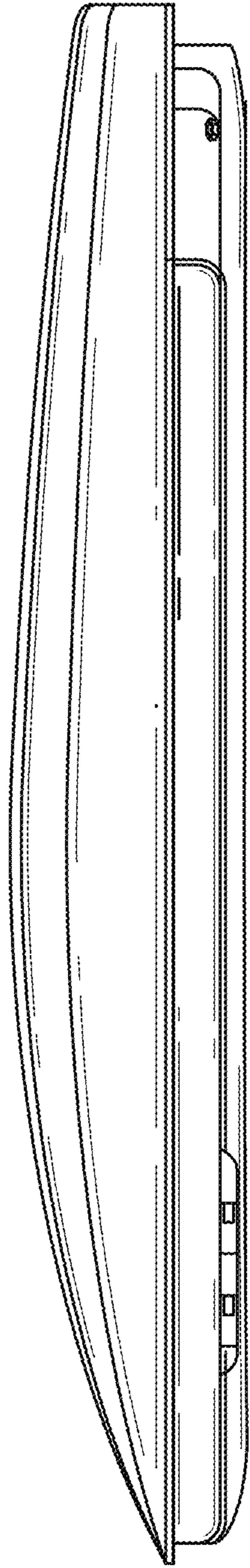


FIG. 7