



US00D784880S

(12) **United States Design Patent**
Liao

(10) **Patent No.:** **US D784,880 S**
(45) **Date of Patent:** **** Apr. 25, 2017**

(54) **DECORATIVE PANEL FOR LICENSE PLATE FRAME**

D728,467 S * 5/2015 Hasbrook D13/103
D765,625 S * 9/2016 Akana D14/248
2015/0353032 A1* 12/2015 Liao G09F 9/35
345/1.3

(71) Applicant: **ACCVAL L.L.C.**, Dover, DE (US)

(72) Inventor: **Chen-Jui Liao**, Dover (DE)

(73) Assignee: **ACCVAL L.L.C.**, Dover, DE (US)

(**) Term: **14 Years**

(21) Appl. No.: **29/515,211**

(22) Filed: **Jan. 21, 2015**

(30) **Foreign Application Priority Data**

Jul. 25, 2014 (TW) 103304385

(51) **LOC (10) Cl.** **12-16**

(52) **U.S. Cl.**
USPC **D12/193**

(58) **Field of Classification Search**
USPC D12/193; D14/138 G, 248; D13/103
CPC A47G 1/02; B60R 13/10; B60R 13/105;
G09F 9/35
See application file for complete search history.

(56) **References Cited**

U.S. PATENT DOCUMENTS

2,230,175 A * 1/1941 Bellin B60R 13/10
40/203
D706,237 S * 6/2014 Kim D14/138 G

* cited by examiner

Primary Examiner — Caron D Veynar

Assistant Examiner — Laura Yu

(74) *Attorney, Agent, or Firm* — Raymond Y. Chan;
David and Raymond Patent Firm

(57) **CLAIM**

The ornamental design for a decorative panel for license plate frame, as shown and described.

DESCRIPTION

FIG. 1 is a perspective view of decorative panel for license plate frame showing my new design.

FIG. 2 is a front view thereof.

FIG. 3 is a rear view thereof.

FIG. 4 is a left view thereof.

FIG. 5 is a right thereof.

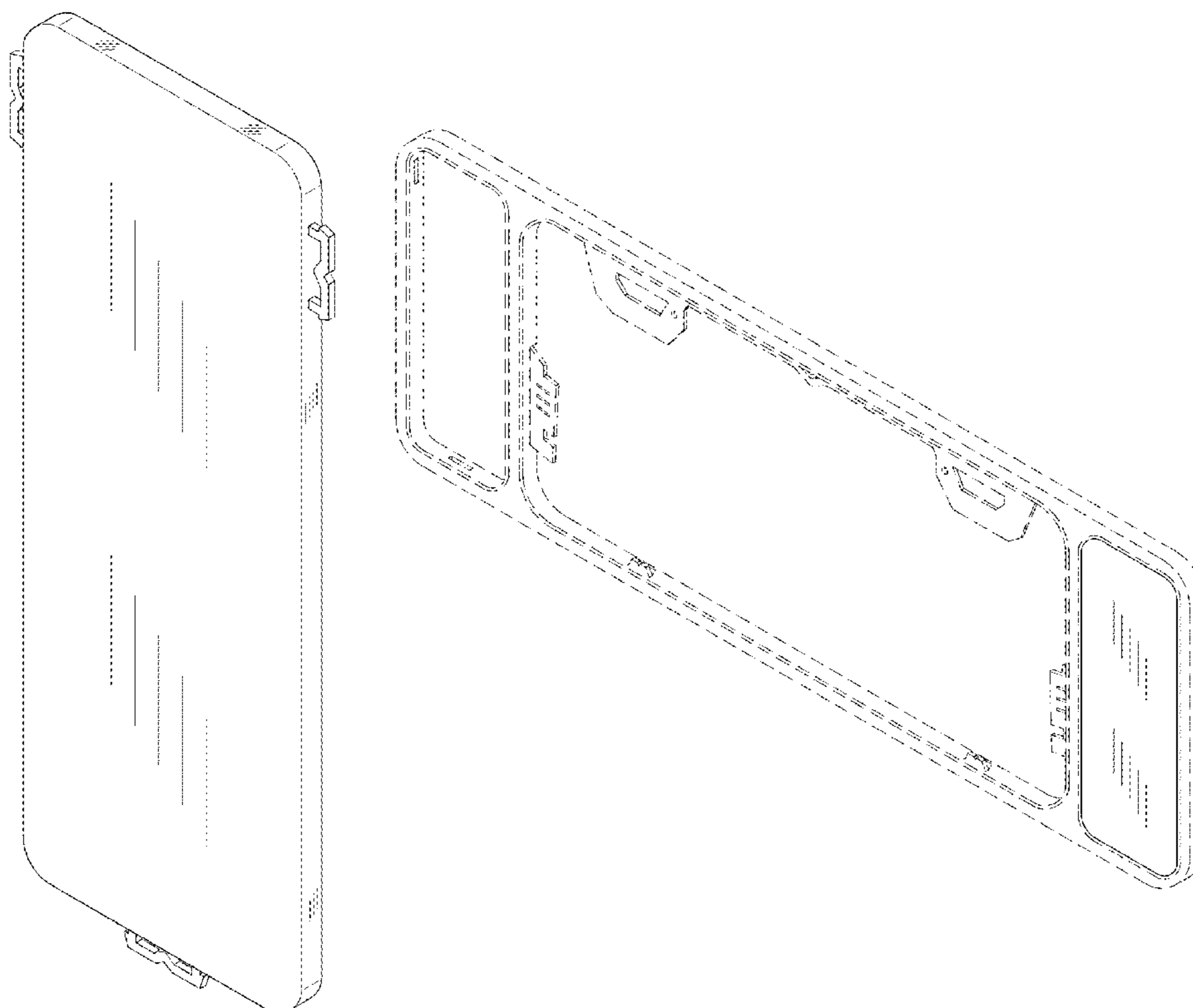
FIG. 6 is a top view thereof.

FIG. 7 is a bottom view thereof; and,

FIG. 8 is a perspective view thereof, attached to the license plate frame.

The broken lines portion of the drawing is included to show unclaimed subject matter only and forms no part of the claimed design.

1 Claim, 6 Drawing Sheets



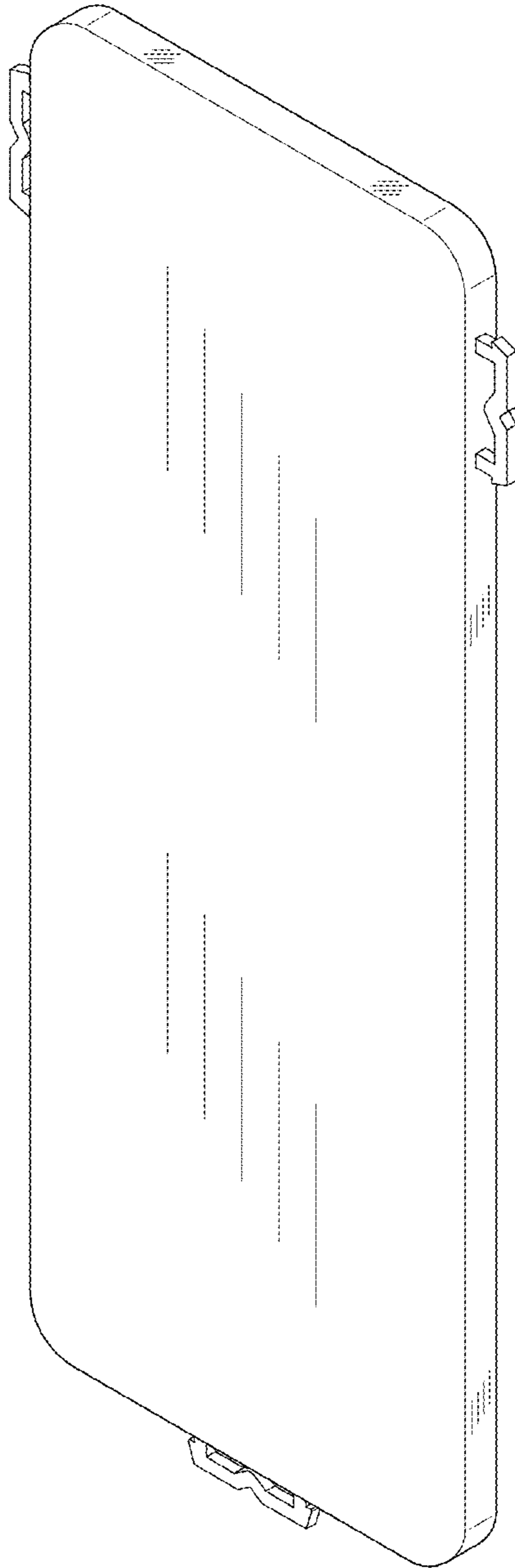


FIG. 1

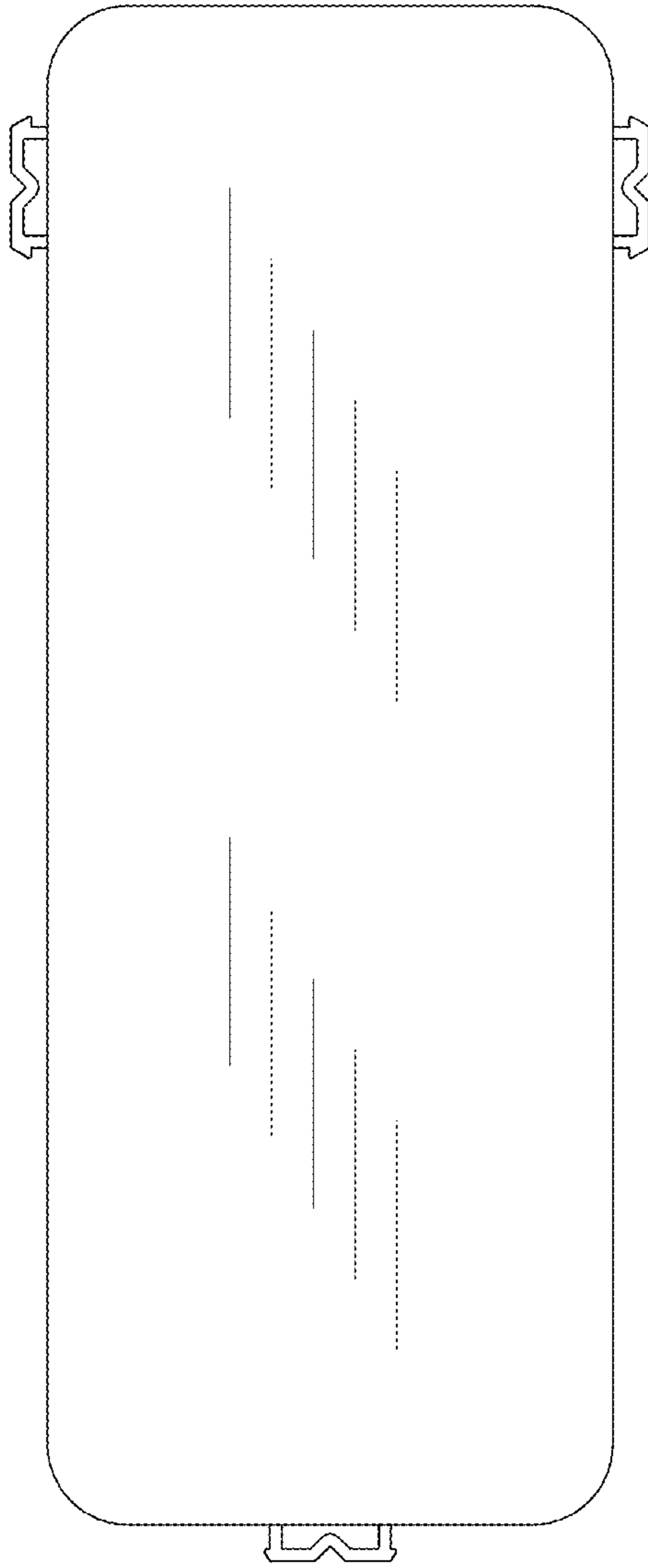


FIG. 2

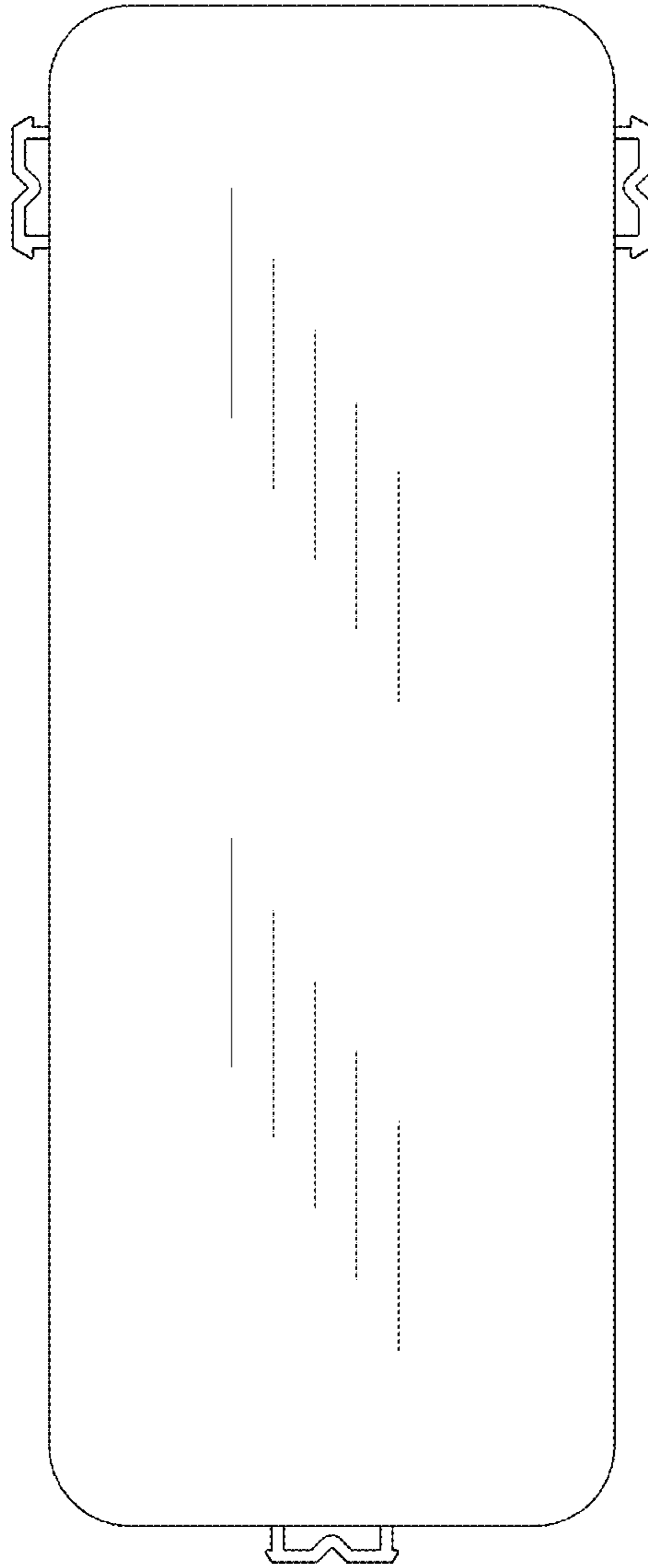


FIG. 3



FIG. 4



FIG. 5

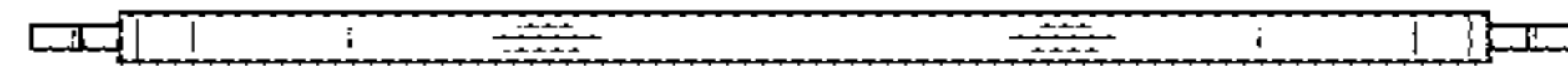


FIG. 6

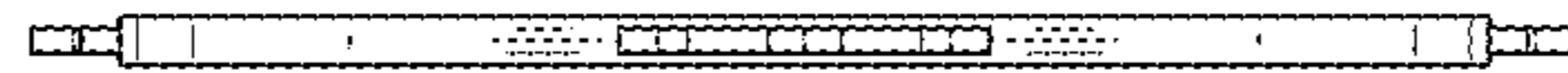


FIG. 7

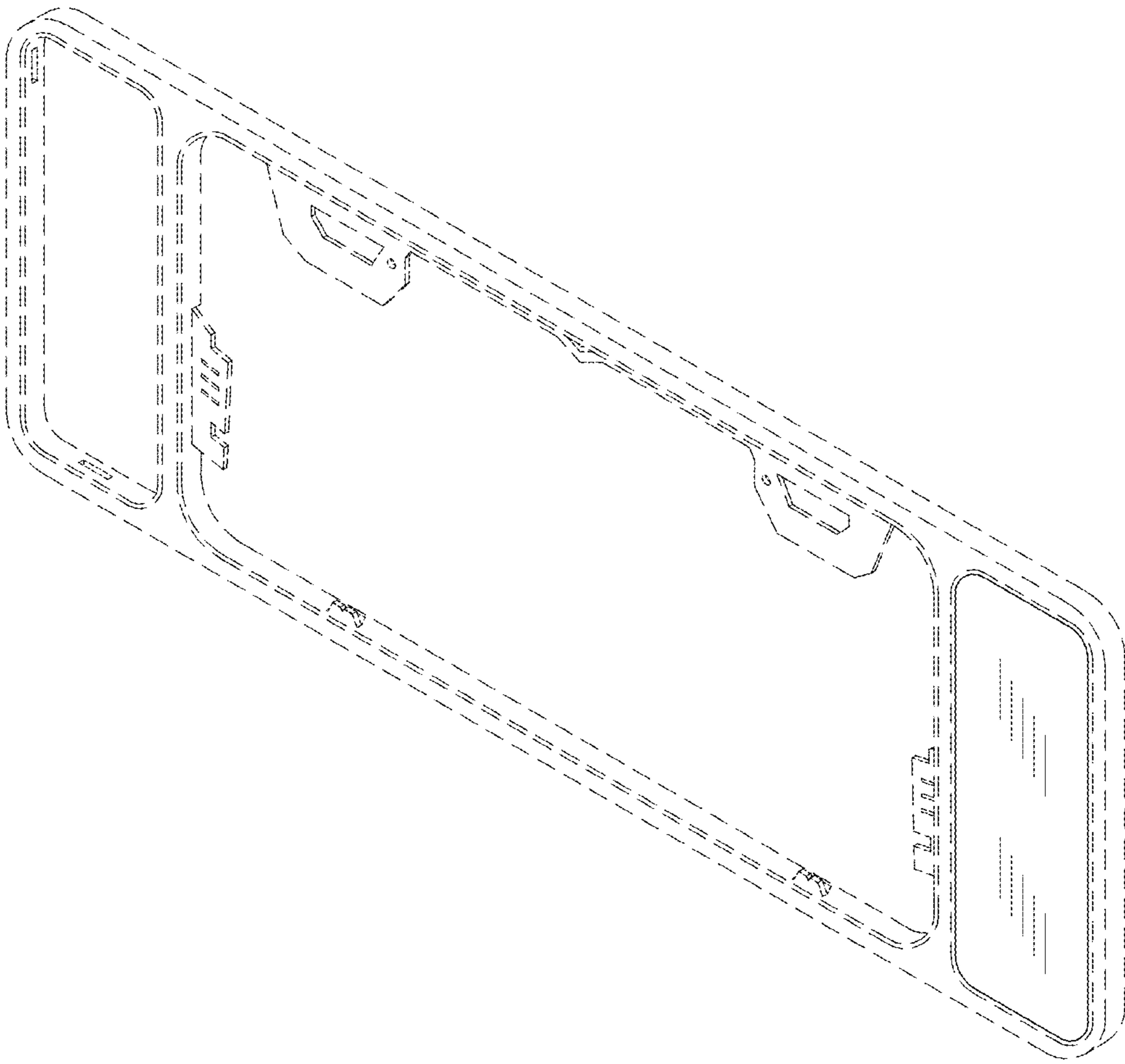


FIG. 8