



US00D784879S

(12) **United States Design Patent**  
**Liao**

(10) **Patent No.:** **US D784,879 S**  
(45) **Date of Patent:** **\*\* Apr. 25, 2017**

- (54) **LICENSE PLATE FRAME**
- (71) Applicant: **ACCVAL L.L.C.**, Dover, DE (US)
- (72) Inventor: **Chen-Jui Liao**, Dover, DE (US)
- (73) Assignee: **ACCVAL L.L.C.**, Dover, DE (US)
- (\*\*) Term: **14 Years**
- (21) Appl. No.: **29/515,210**
- (22) Filed: **Jan. 21, 2015**

(30) **Foreign Application Priority Data**

Jul. 25, 2014 (TW) ..... 103304386

- (51) **LOC (10) Cl.** ..... **12-16**
- (52) **U.S. Cl.**  
USPC ..... **D12/193**
- (58) **Field of Classification Search**  
USPC ..... D12/193; D9/418; 40/200–204,  
40/207–214; D6/300–303, 310–314;  
D26/24, 28; 362/497, 473, 327, 604  
CPC ..... B60R 13/10; B60R 13/105; B60R 11/00;  
G09F 9/35; G09F 21/04  
See application file for complete search history.

(56) **References Cited**

**U.S. PATENT DOCUMENTS**

- D39,344 S \* 6/1908 Schoettle ..... D9/418
- 1,630,658 A \* 5/1927 Davis ..... B60R 13/10  
40/209
- 1,864,641 A \* 6/1932 Davis ..... B60R 13/105  
40/208
- 2,106,015 A \* 1/1938 Polster ..... B60R 13/105  
40/209
- 2,211,085 A \* 8/1940 Thomas ..... B60R 13/105  
40/209
- 2,624,966 A \* 1/1953 Baumgartner ..... B60R 13/105  
40/209
- 2,741,046 A \* 4/1956 Krosiak ..... B60R 13/10  
40/209

- 2,831,281 A \* 4/1958 Nayman ..... B60R 13/105  
40/209
- 6,519,882 B1 \* 2/2003 Shuen ..... G09F 21/04  
40/200
- D564,429 S \* 3/2008 Hirth ..... D12/193
- D576,934 S \* 9/2008 Hirth ..... D12/193
- D579,391 S \* 10/2008 Lin ..... D12/193
- D652,360 S \* 1/2012 Drew ..... D12/193
- D713,771 S \* 9/2014 Kuo ..... D12/193
- D758,267 S \* 6/2016 Marko, Jr. .... D12/193
- 2010/0257763 A1 \* 10/2010 Hu ..... B60R 13/105  
40/209

(Continued)

**FOREIGN PATENT DOCUMENTS**

CN 303058979 \* 12/2014

**OTHER PUBLICATIONS**

“C6 Corvette Carbon Fiber Finish Rear License Plate Frame” Aug. 10, 2013, Southern Car Parts, site visited Aug. 23, 2016, <<http://www.southerncarparts.com/corvette-carbon-fiber-finish-rear-license-plate-frame-p-4350.html>>.\*

*Primary Examiner* — Kevin Rudzinski  
*Assistant Examiner* — Paul Bohannon  
(74) *Attorney, Agent, or Firm* — Raymond Y. Chan;  
David and Raymond Patent Firm

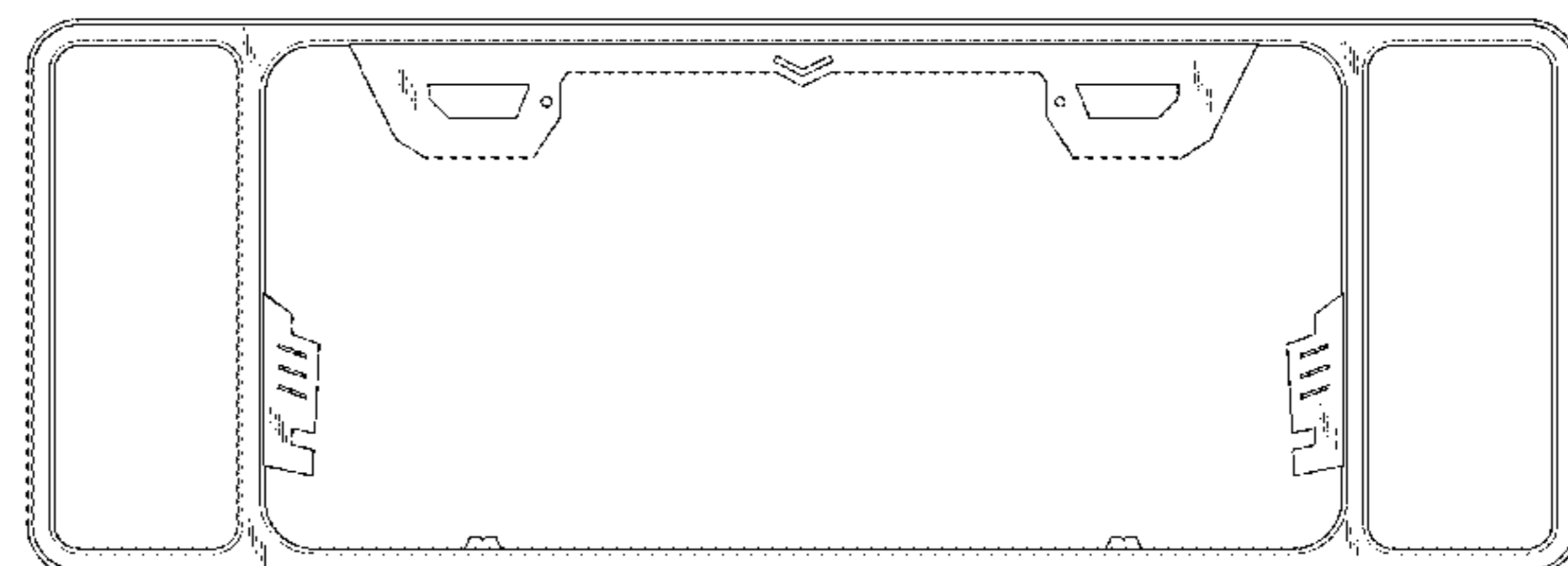
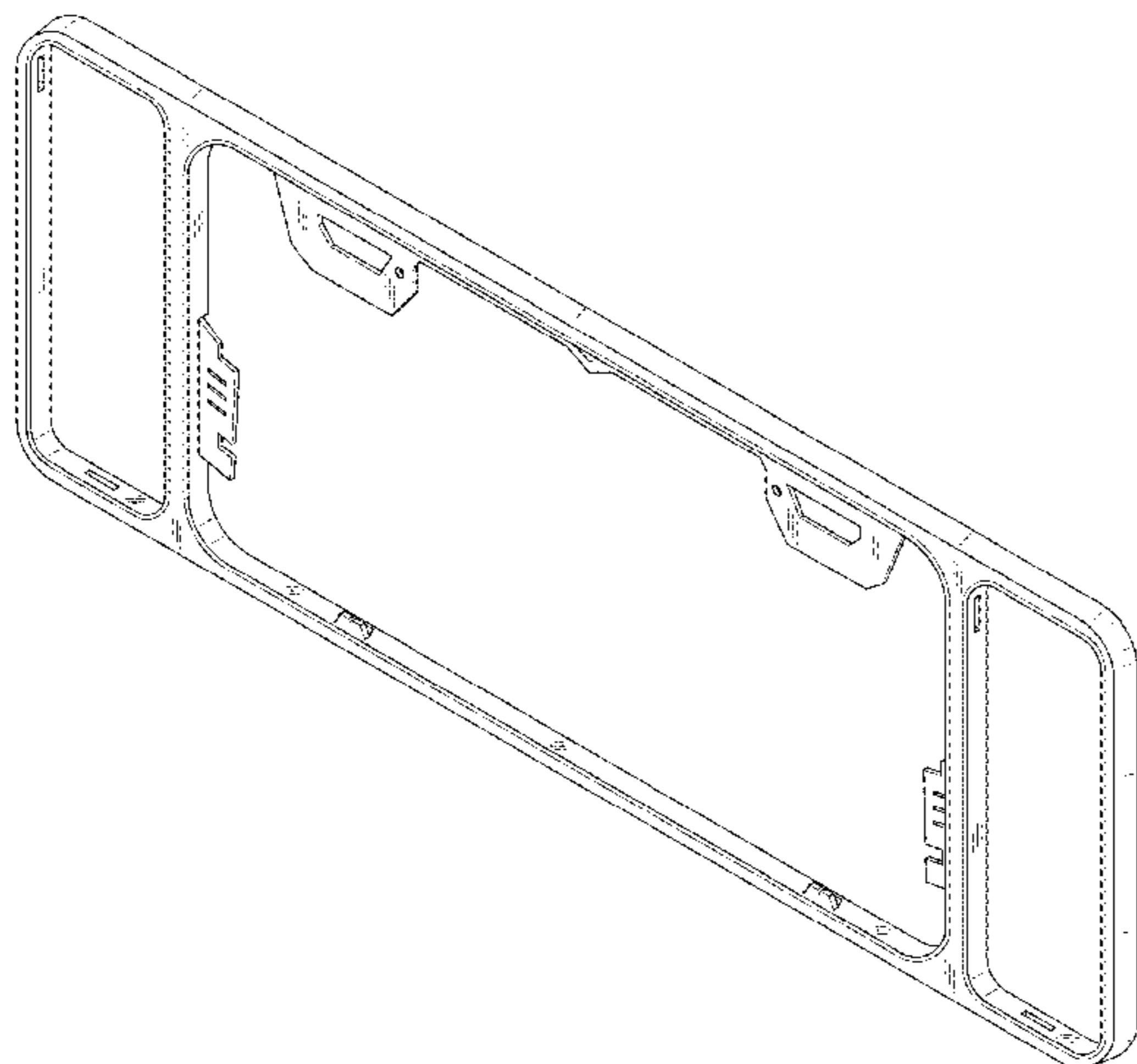
(57) **CLAIM**

The ornamental design for a license plate frame, as shown.

**DESCRIPTION**

FIG. 1 is a perspective view of license plate frame;  
FIG. 2 is a front elevation view thereof;  
FIG. 3 is a rear elevation view thereof;  
FIG. 4 is a left-side elevation view thereof;  
FIG. 5 is a right-side elevation view thereof;  
FIG. 6 is a top plan view thereof; and,  
FIG. 7 is a bottom plan view thereof.

**1 Claim, 5 Drawing Sheets**



(56)

**References Cited**

U.S. PATENT DOCUMENTS

2011/0289806 A1\* 12/2011 Kuo ..... B60R 13/105  
40/204  
2012/0096747 A1\* 4/2012 Lee Yang ..... B60R 13/105  
40/209  
2012/0279099 A1\* 11/2012 Kuo ..... B60R 13/105  
40/209  
2015/0075043 A1\* 3/2015 Marko, Jr. .... B60R 13/105  
40/209  
2015/0353032 A1\* 12/2015 Liao ..... G09F 9/35  
345/1.3

\* cited by examiner

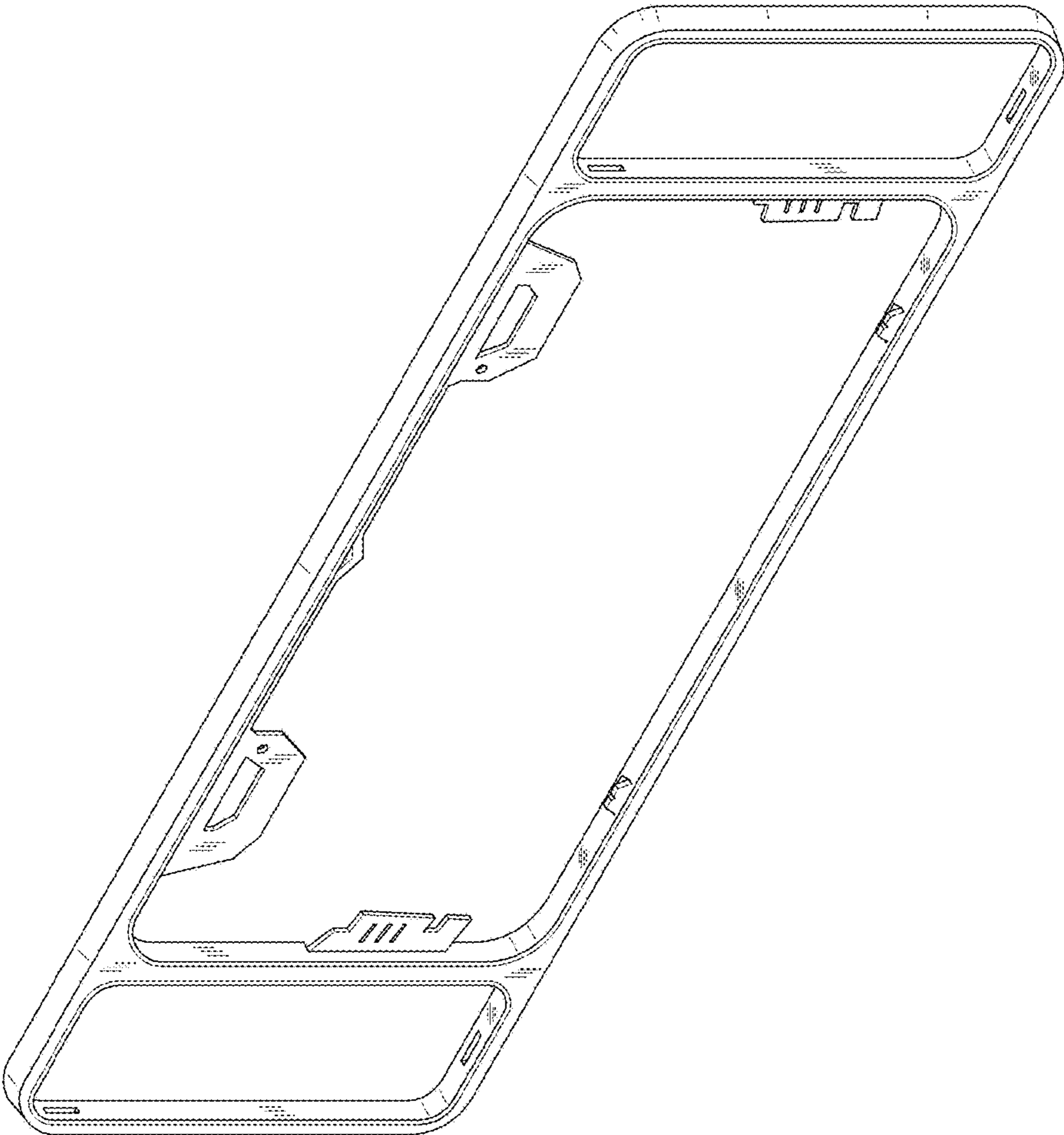


FIG. 1

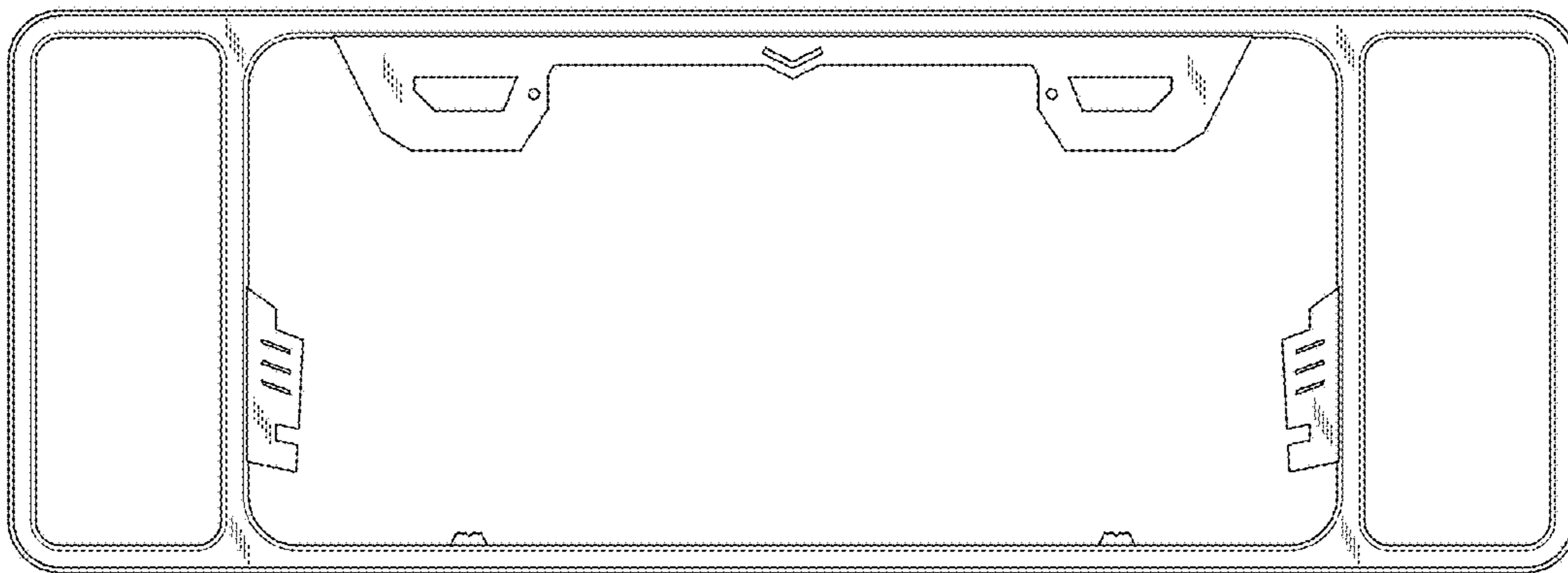


FIG. 2

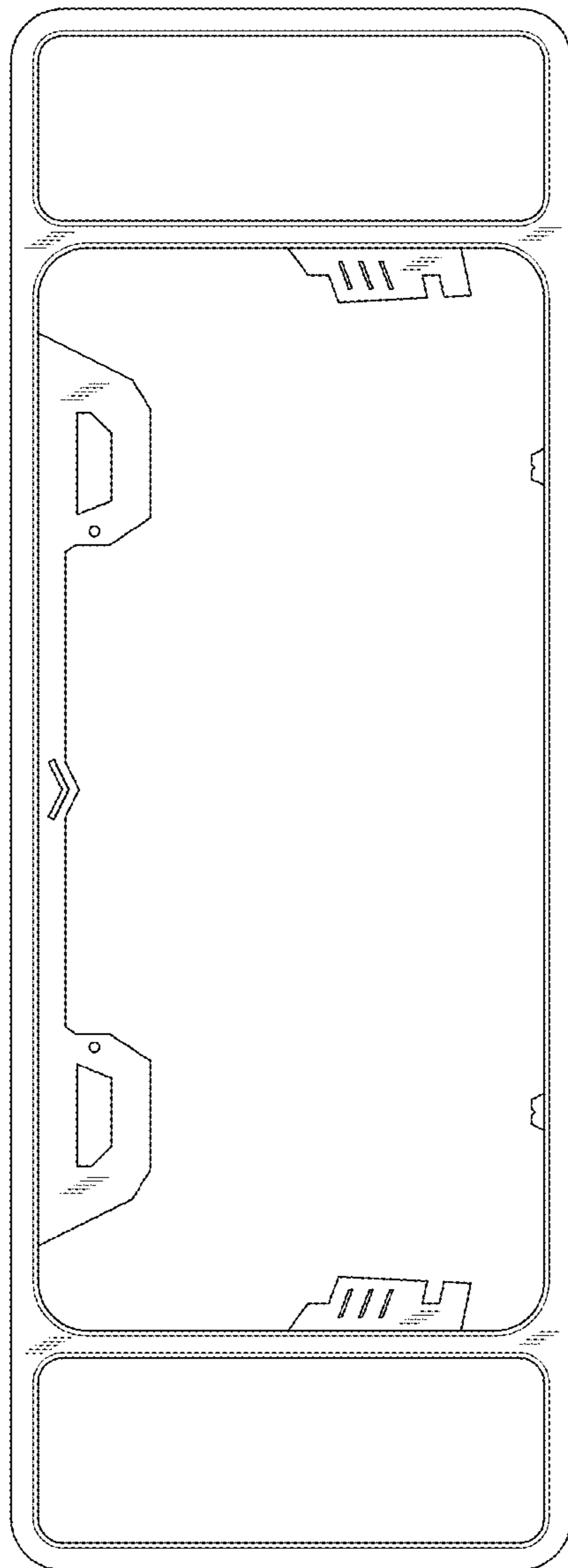


FIG. 3

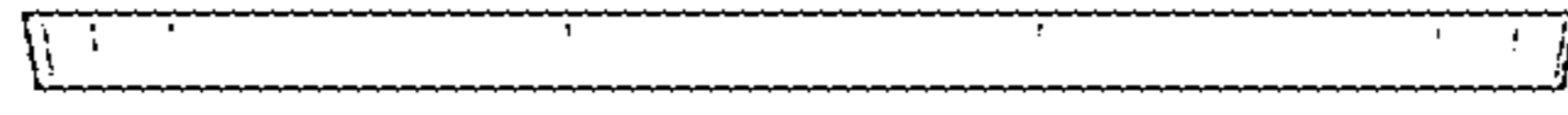


FIG. 5

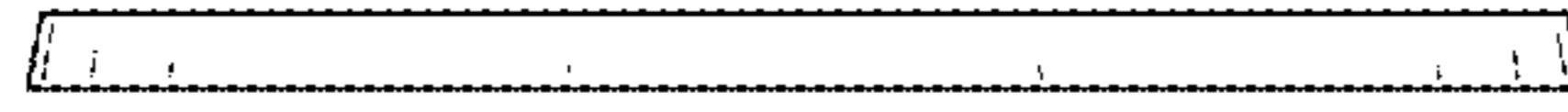


FIG. 4



FIG. 6



FIG. 7